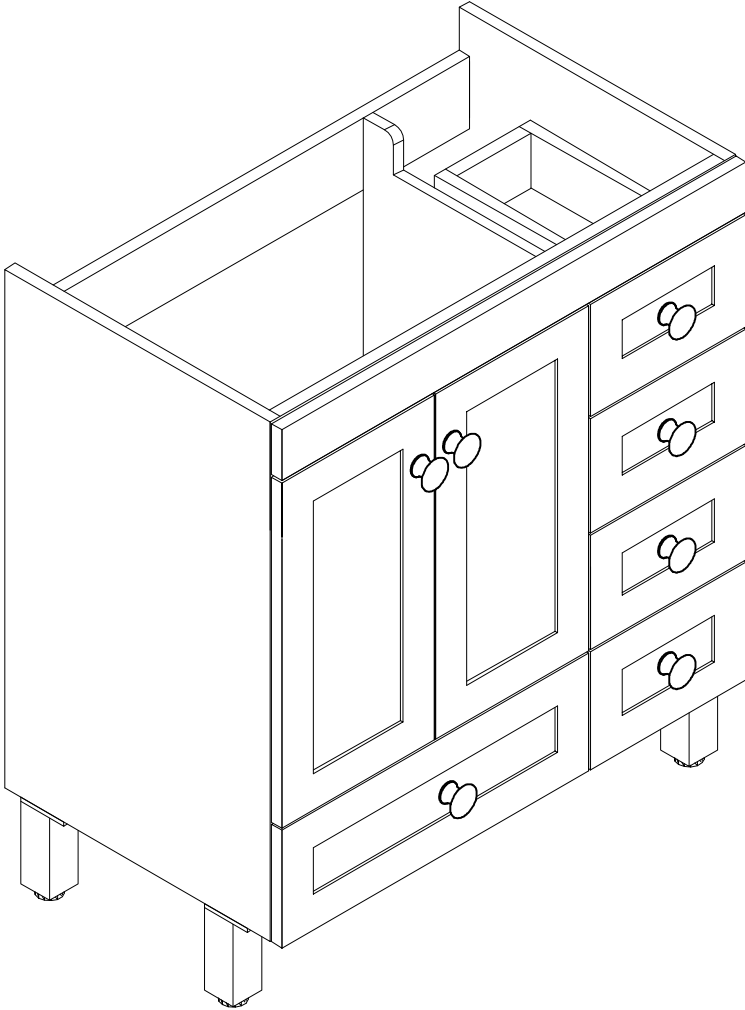


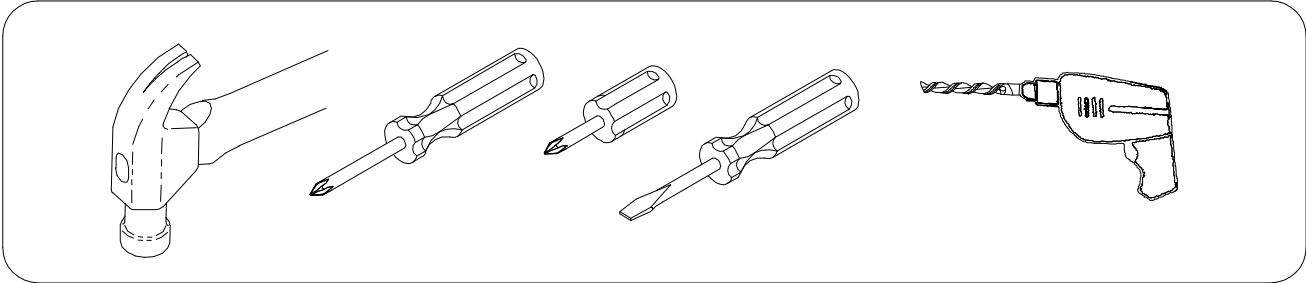


US46

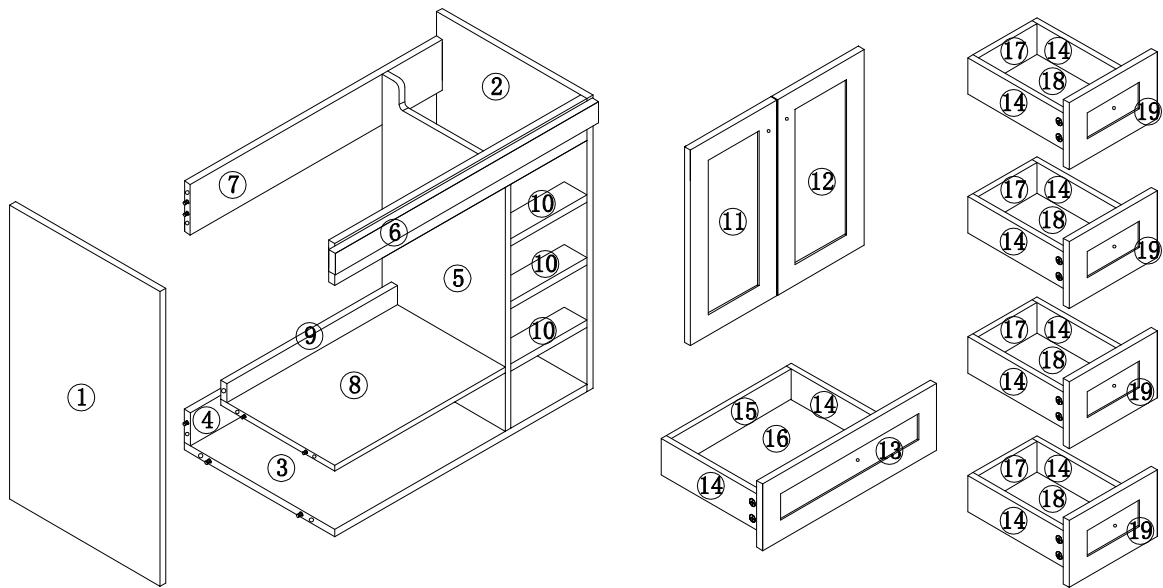
# DIMENSIONS



## YOU MAY NEED (NOT SUPPLY)

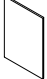
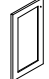

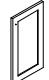
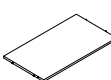
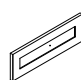
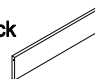
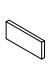
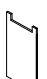
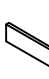

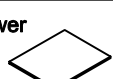

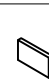
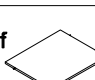
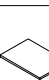

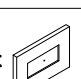



# ASSEMBLY DIAGRAM












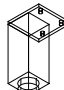


## PARTS LIST

### PARTS LIST

NO	DESCRIPTION	QTY	NO	DESCRIPTION	QTY
①	Left side panel 	1	⑪	Left door panel 	1
②	Right side panel 	1	⑫	Right door panel 	1
③	Bottom panel 	1	⑬	Left Drawer front panel 	1
④	Lower back panel 	1	⑭	Drawer side panel 	10
⑤	Center partition Panel 	1	⑮	Left Drawer rear panel 	1
⑥	Upper front panel 	1	⑯	Left Drawer bottom panel 	1
⑦	Upper back panel 	1	⑰	Right Drawer rear pane 	4
⑧	Inner shelf panel 	1	⑱	Right Drawer bottom panel 	4
⑨	Left laminate rear panel 	1	⑲	Right Drawer front panel 	4
⑩	Right front center plate 	3			

## PARTS LIST

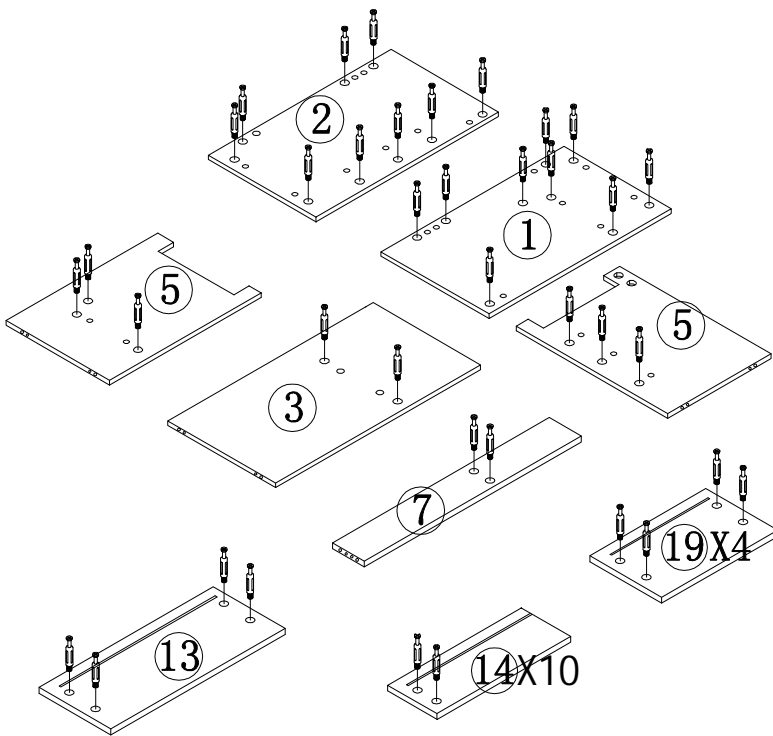
### HARDWARE LIST


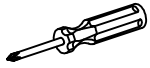
NO	DESCRIPTION	QTY	NO	DESCRIPTION	QTY
A	Three-in-one eccentric wheel 	68	G	4*23mm screw 	2
B	Three-in-one connecting rod 	68	H	4*18mm screw 	5
C	Three-in-one sticker 	68	I	Door handle 	2
D	8*40mm wood dowel pins 	26	J	Drawer handle 	5
E	Drawer slides 	10	K	Aluminum alloy leg 	4
F	4*16mm screw 	96	L	Door hinge 	4

### CAUTION:

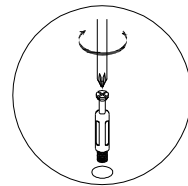
Please confirm the parts list before installation

# STEP 1

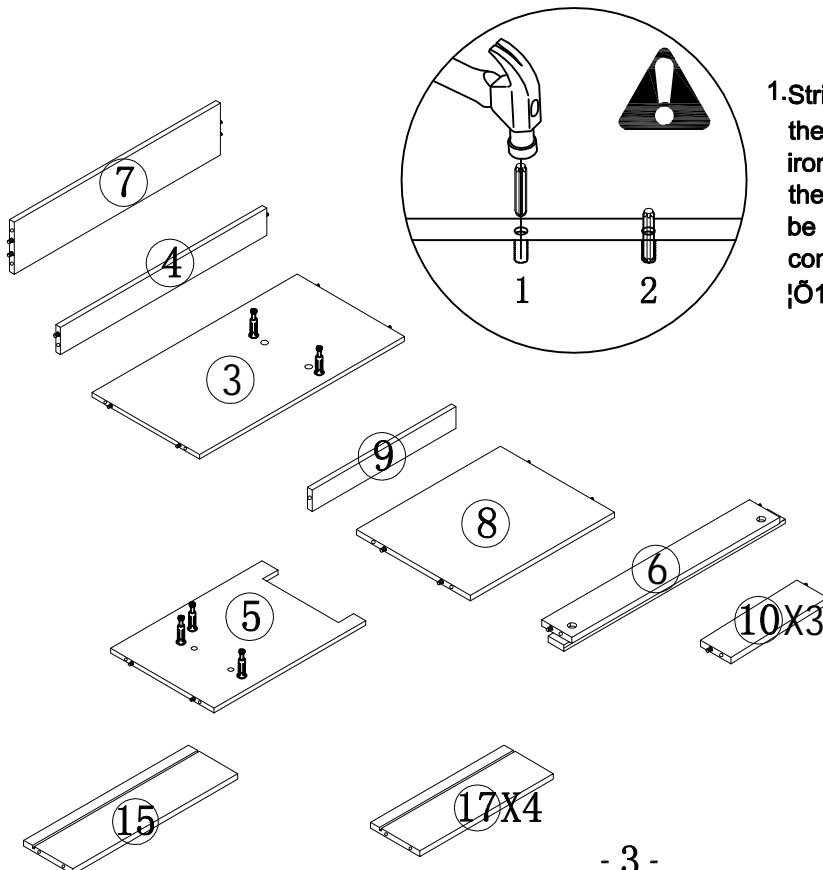


HARDWARE LIST	
Three-in-one connecting rod B	
68 PCS	

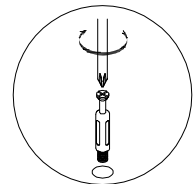
1. Put the three-in-one connecting rod in the  $\varnothing 10$ mm hole of the following panels and tighten them with a cross screwdriver or an electric tool.


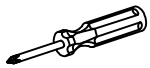




# STEP 2



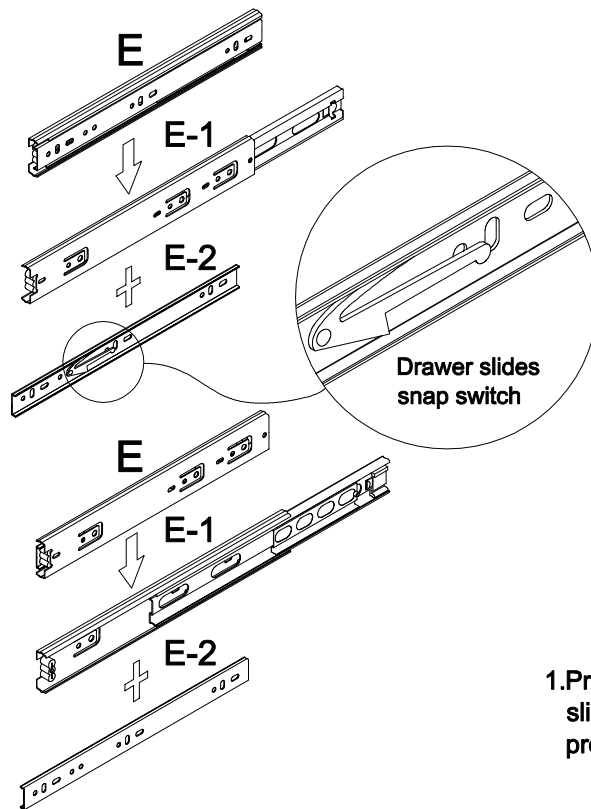
1. Strike the  $\varnothing 8 \times 40$ mm wood dowel pin into the  $\varnothing 8$ mm hole of the above panels with an iron hammer. Please note that the hole of the three-in-one connecting rod should also be 8mm. The hole of the three-in-one connecting rod connects to the hole of  $\varnothing 15$ mm three-in-one eccentric wheel.



HARDWARE LIST	
Three-in-one connecting rod B	
5 PCS	

HARDWARE LIST	
8*40mm wood dowel pins D	
26 PCS	

# STEP 3

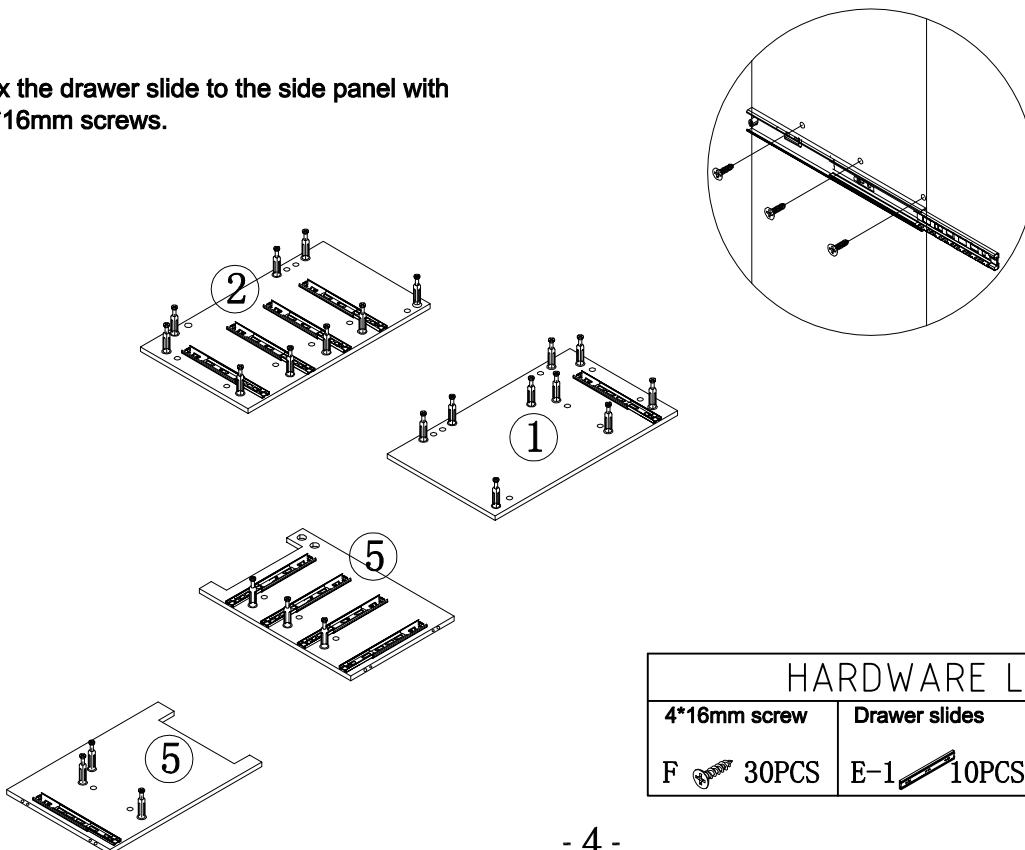


HARDWARE LIST	
Drawer slides	
E  10 PCS	

1. Press the slide snap switch, disassemble side blocks and put them in a place properly for further use.

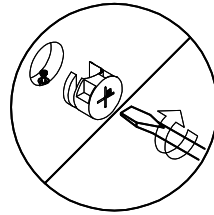
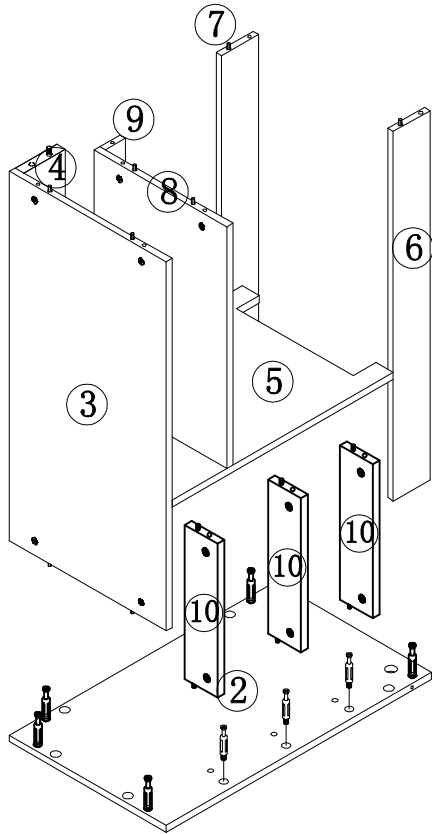
# STEP 4

1. Fix the drawer slide to the side panel with 4\*16mm screws.

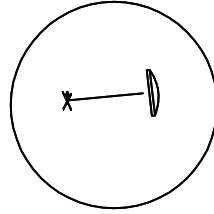


HARDWARE LIST		
4*16mm screw	Drawer slides	
F  30PCS	E-1  10PCS	




# STEP 5



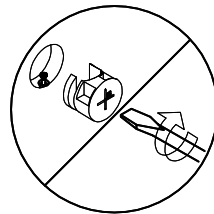
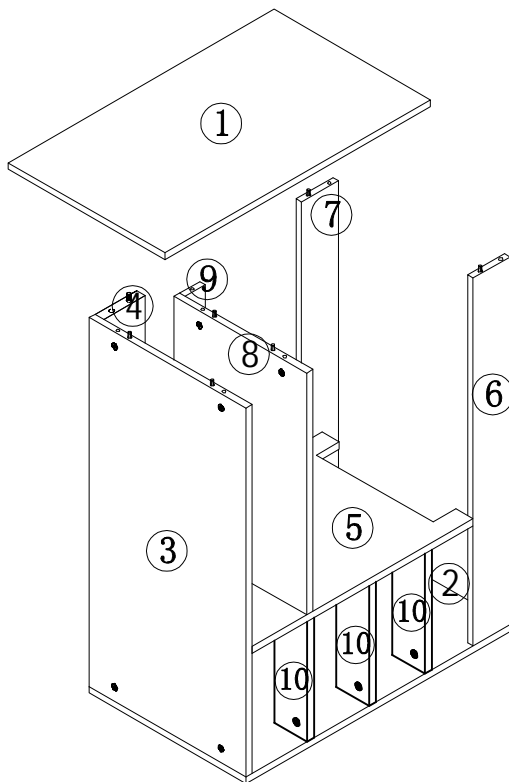
1. Connect No. 3-6-7-8 panel to No.2 panel tightly with the three-in-one eccentric wheel.



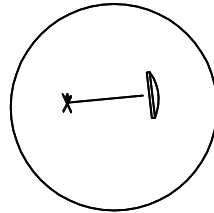
2. Cover the mounting hole of the eccentric wheel with a three-in-one sticker.

HARDWARE LIST		
Three-in-one eccentric wheel A  12PCS	Three-in-one sticker C  12PCS	


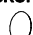

# STEP 6



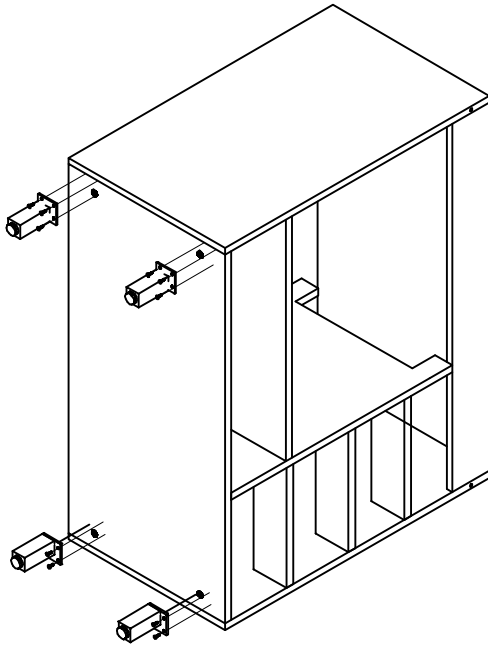
1. Connect No. 1 panel to No. 3-4-6-7-8 panel tightly with the three-in-one eccentric wheel.



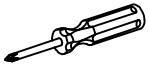

2. Cover the mounting hole of the eccentric wheel with a three-in-one sticker.

HARDWARE LIST		
Three-in-one eccentric wheel A  8PCS	Three-in-one sticker C  8PCS	

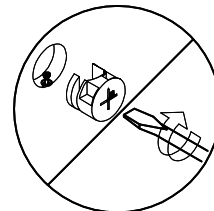
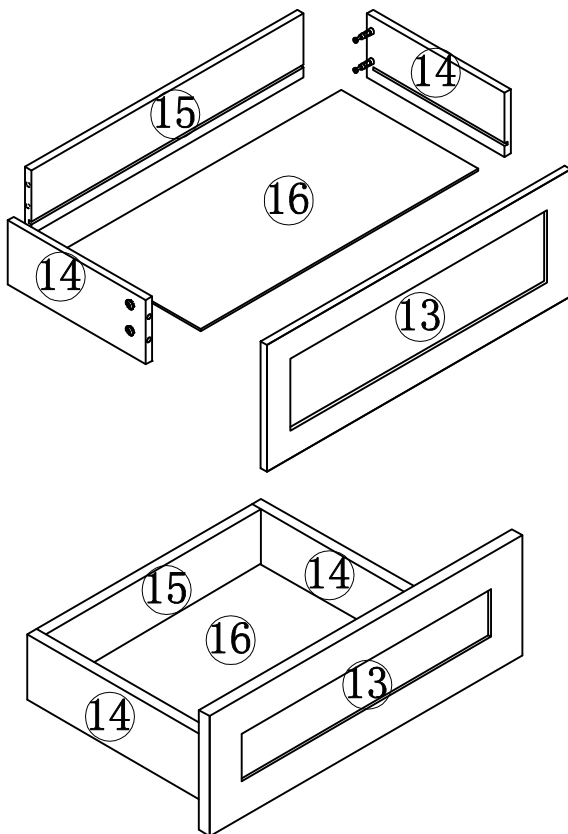
# STEP 7



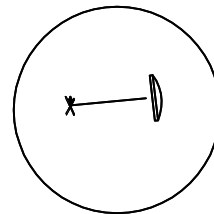
1. Fix feet of the cabinet with 4\*16mm screws.

HARDWARE LIST		
4*16mm screw	Aluminum alloy leg	
F  12PCS	K  4PCS	

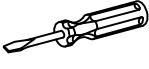


# STEP 8



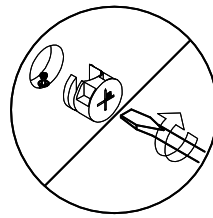
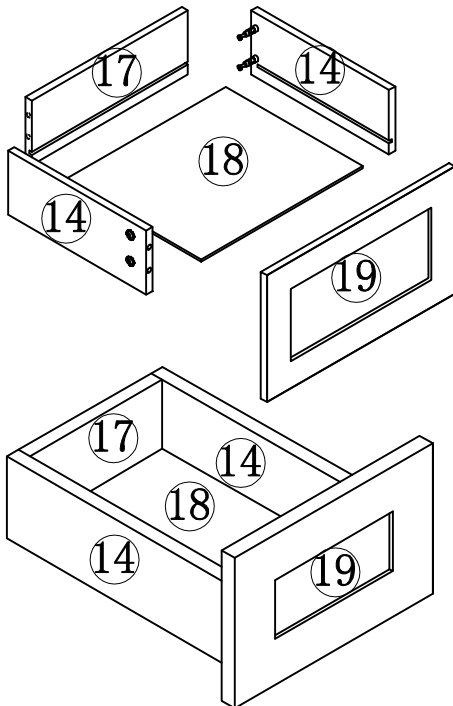
1. Install No. 12-14-15-16 panels with the three-in-one eccentric wheel tightly.



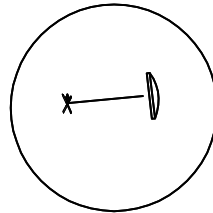
2. Cover the mounting hole of the eccentric wheel with a three-in-one sticker.

HARDWARE LIST		
Three-in-one eccentric wheel	Three-in-one sticker	
A  8PCS	C  8PCS	




# STEP 9



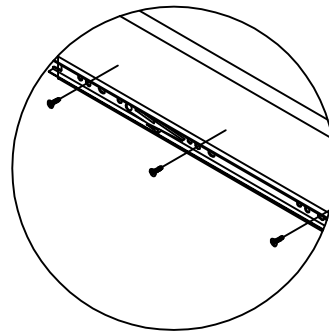
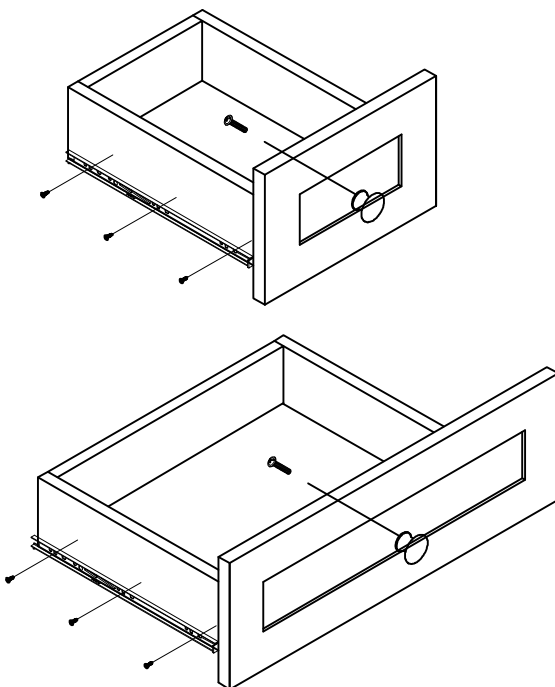
1. Install No. 13-14-17-18 panels with the three-in-one eccentric wheel tightly.








2. Cover the mounting hole of the eccentric wheel with a three-in-one sticker.

HARDWARE LIST		
Three-in-one eccentric wheel A  32PCS	Three-in-one sticker C  32PCS	

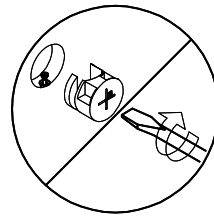
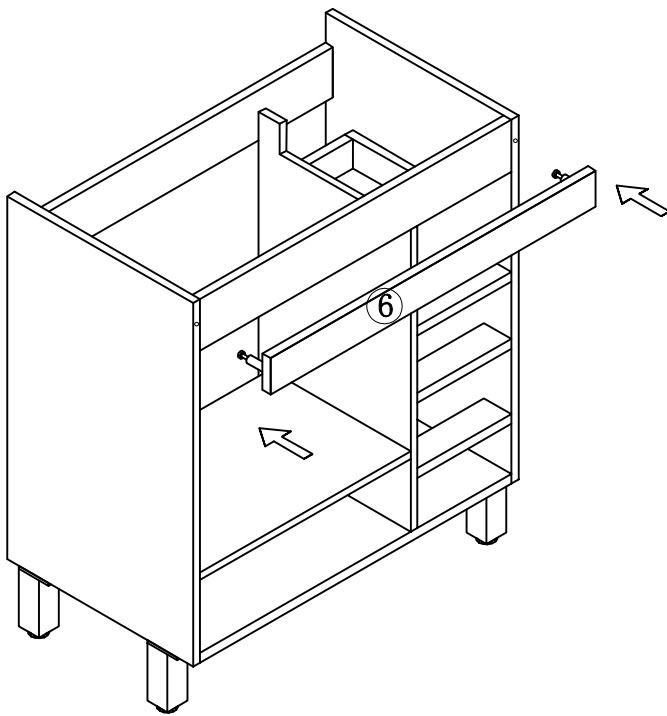
# STEP 10



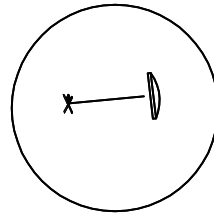
1. Lock the spare drawer slide block to the drawer.  
2. Install the drawer handle with 4\*18 handle screws.

HARDWARE LIST		
4*16mm screw F  30PCS	Drawer slides E-2  10PCS	
4*18mm screw H  5PCS	Drawer handle J  5PCS	




## STEP 11



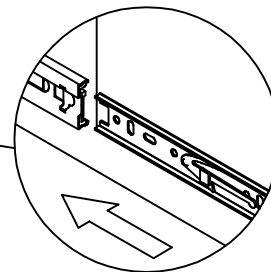
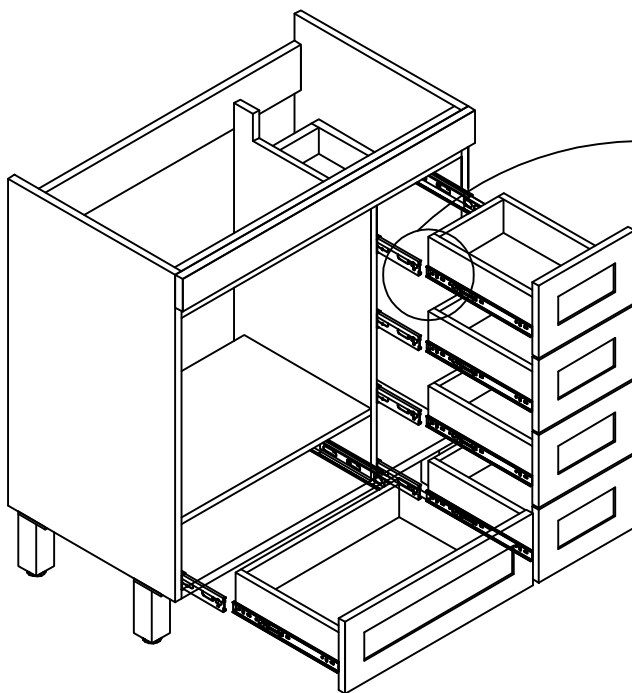
1. Install No.9 panels with the three-in-one eccentric wheel tightly.



2. Cover the mounting hole of the eccentric wheel with a three-in-one sticker.

HARDWARE LIST		
Three-in-one eccentric wheel A  2PCS	Three-in-one sticker C  2PCS	

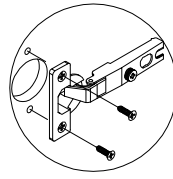
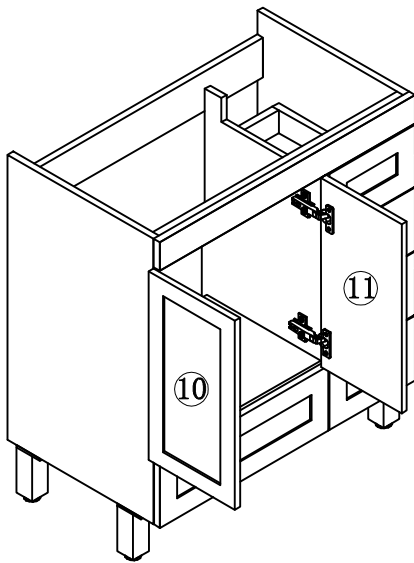
## STEP 12



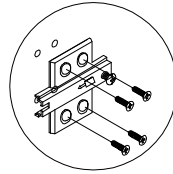
1. Align slide block with the trough on the guide rail, press the snap switch and press it forward to install the drawer.

2. Install drawer handles.

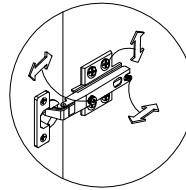
# STEP 13



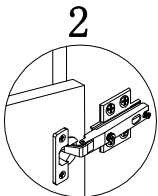
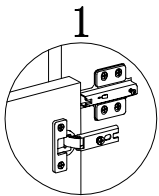
1. Install the hinge cup to the door panel with 4\*16mm screws.



2. Install the hinge to the side panel with 4\*16mm screws.



4. Adjust the door panel clearance.

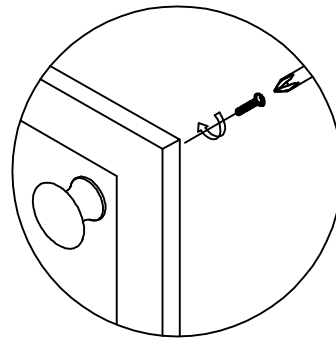
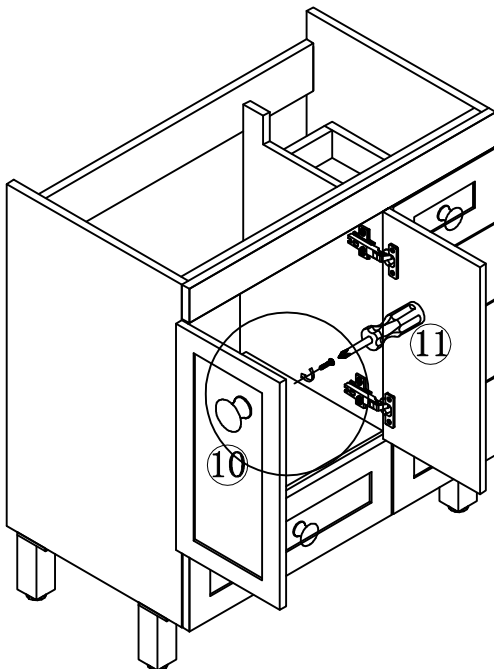


3. Install the hinge cup on the door panel to the hinge of the side panel.

## HARDWARE LIST




4*16mm screw	Door hinge	
F  24PCS	L  4PCS	

# STEP 14



1. Install the door handle with 4\*23 handle screws.

## HARDWARE LIST

4*23mm screw	Door handle	
G  2PCS	I  2PCS	



**Choking hazard-Small Parts :** This unit contains small parts, not for children under 3 years.

**Tip-over hazard :** Secure finished unit to wall stud using L-Bracket and wall screw (#10\*1.5"W/out provided). If a wall stud is not neccessible , Consault your local hardware store for appropriate mounting hardware . Failure to properly install will result in product collapse or tip-over. Serious injury can occur .