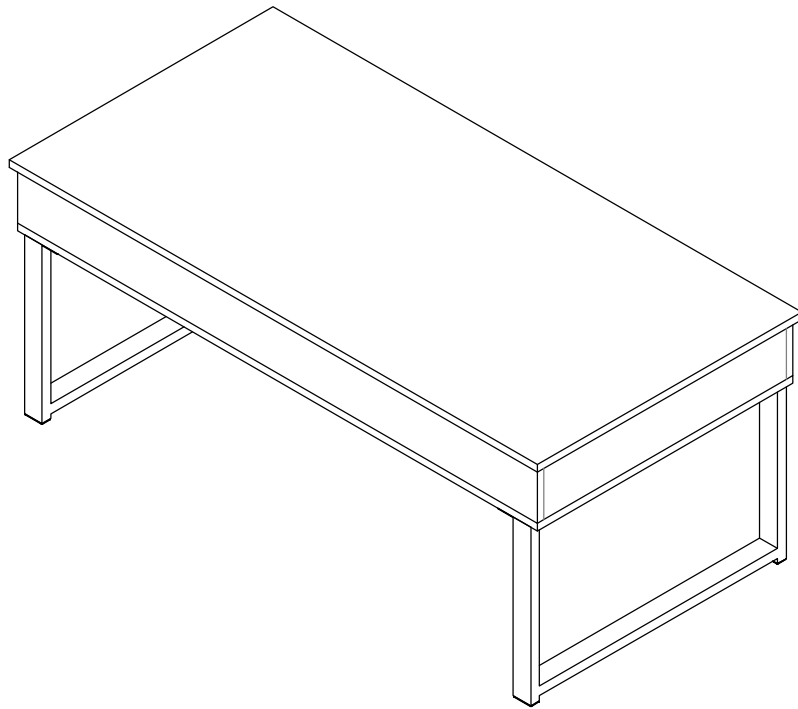


# *ASSEMBLY INSTRUCTIONS*



## *LIFT TOP COFFEE TABLE*

# ASSEMBLY INSTRUCTIONS

## ASSEMBLY TIPS:

1. Remove hardware from box and sort by size.
2. Please check to see that all hardware and parts are present prior to start of assembly.
3. Please follow attached instructions in the same sequence as numbered to assure fast & easy assembly.



## WARNING!

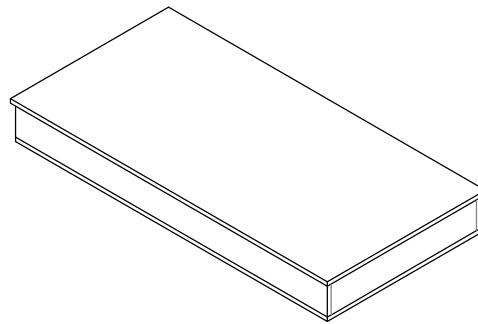
1. Don't attempt to repair or modify parts that are broken or defective. Please contact the store immediately.
2. This product is for home use only and not intended for commercial establishments.



ASSEMBLY TIME 20 MINUTES

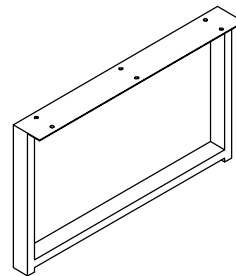
## PARTS IDENTIFICATION

A TOP BOX



1PC

B SIDE FRAME



2PCS

## HARDWARE IDENTIFICATION

1 SHORT BOLT  
(1/4" x 15mm SR)



12PCS

3 ALLEN WRENCH  
(4mm)



1PC

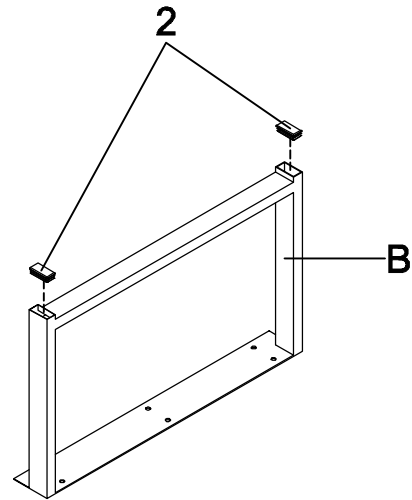
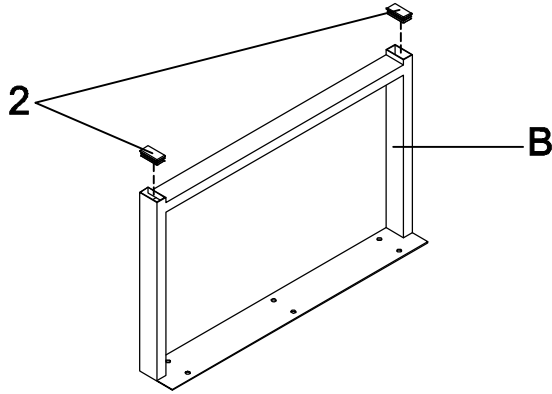
2 CAP  
(20 x 40mm BLK)



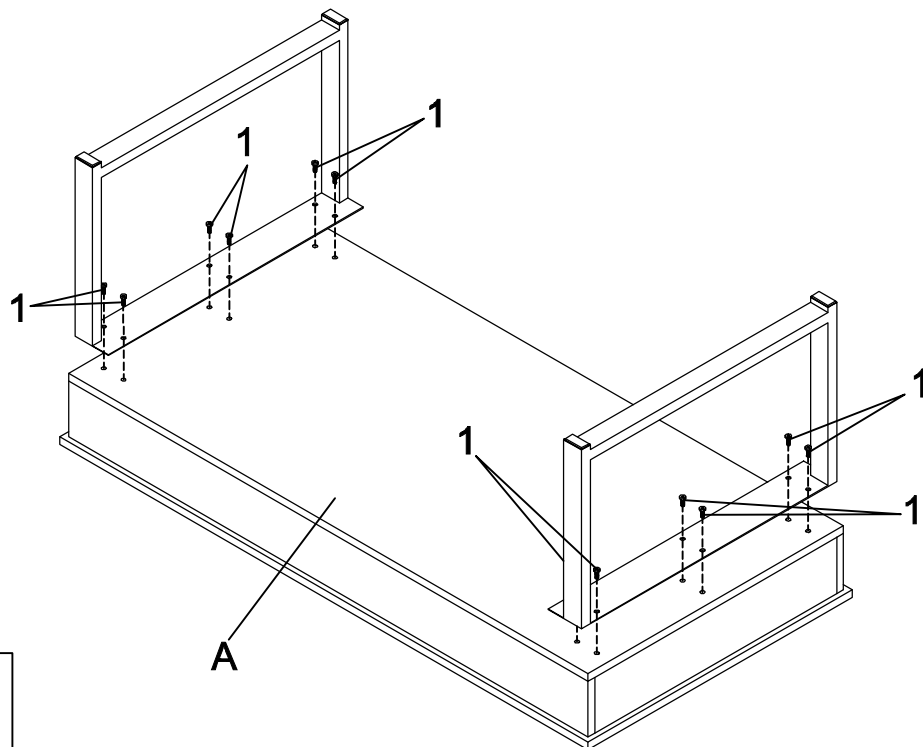
4PCS

# ASSEMBLY INSTRUCTIONS

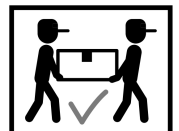
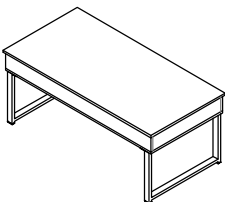
**STEP 1** Do not tighten until each step is completed or instructed.



## STEP 2

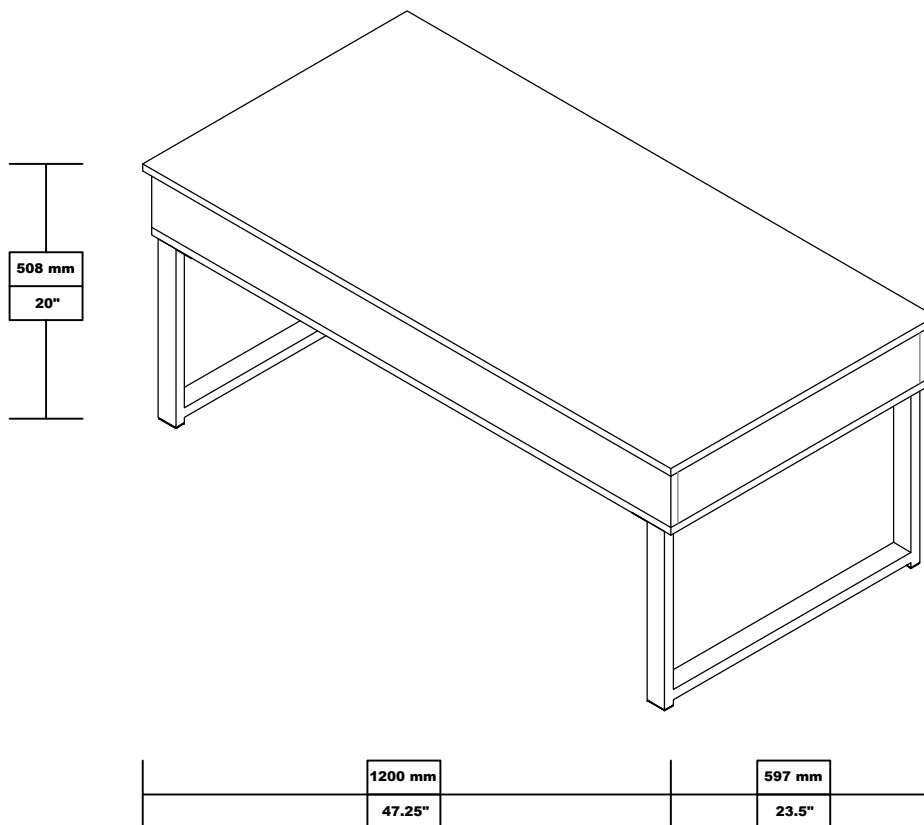


COMPLETE



# ASSEMBLY INSTRUCTIONS

<b>Product Size : 1200 X 597 X 508 H (MM)</b>
<b>Product Size : 47.25" X 23.5" X 20"</b>



Note : Dimension tolerance  $\pm 5\%$