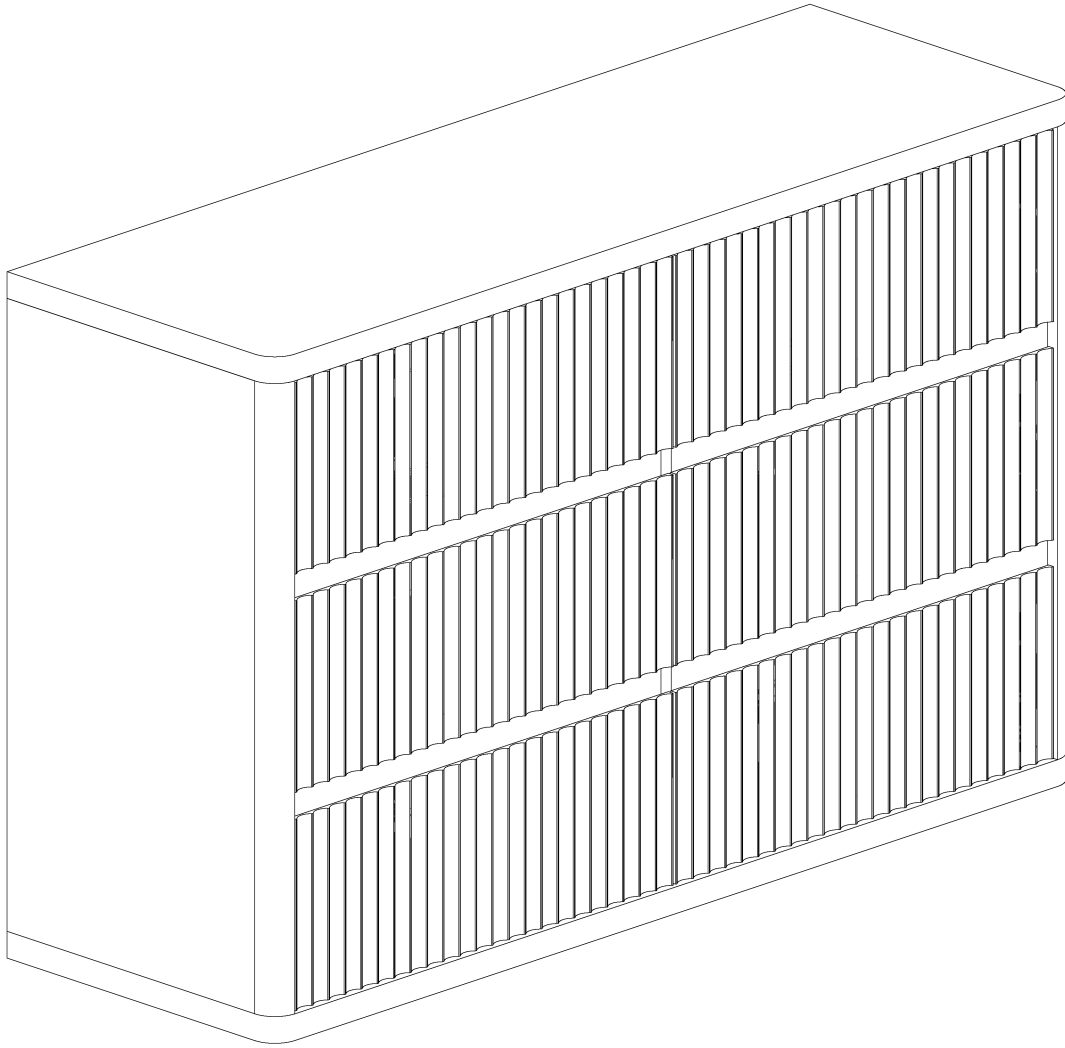
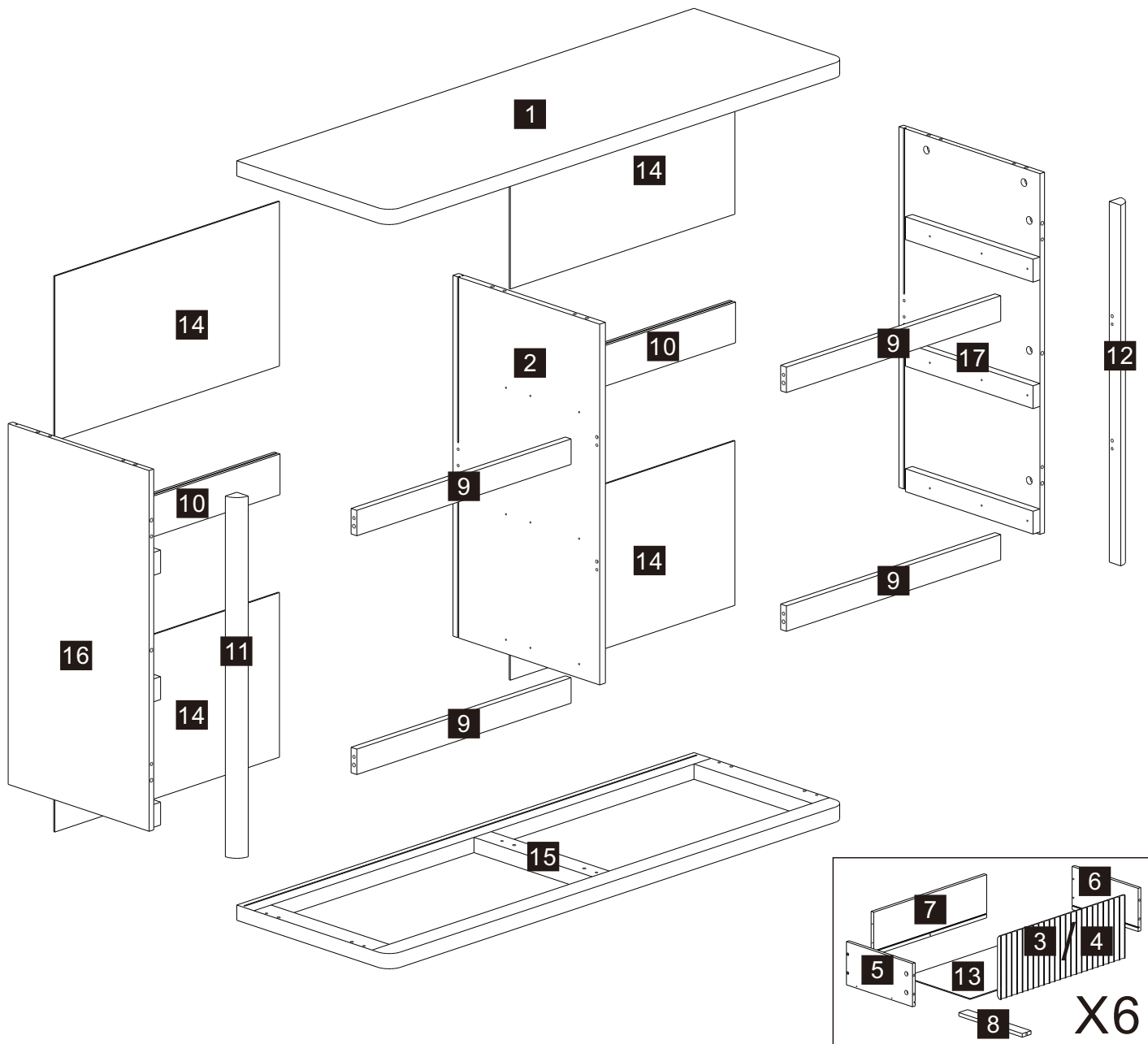


# Installation & Assembly

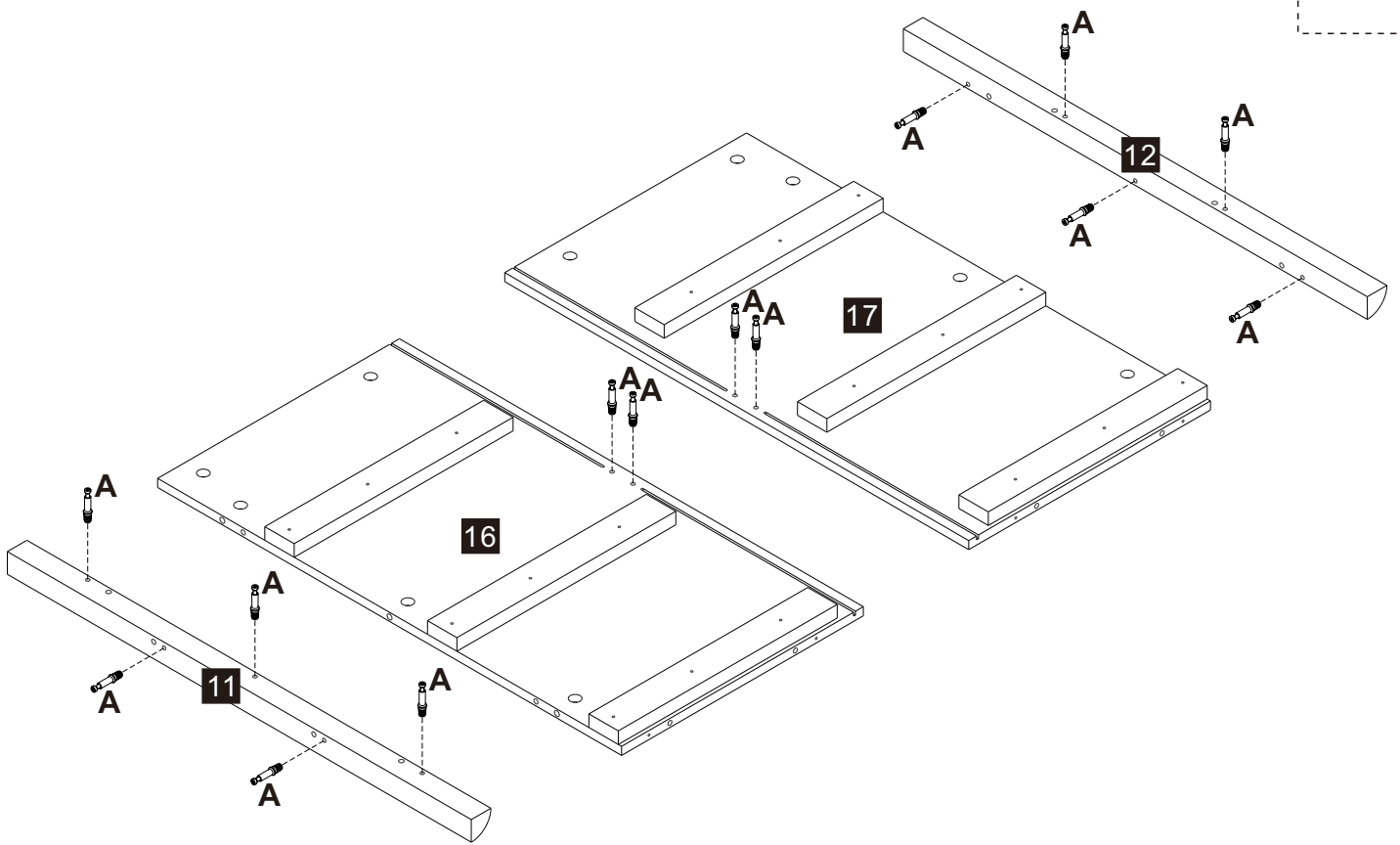




<b>A</b> x58	<b>B</b> x58	<b>C</b> x24	<b>D</b> x60	<b>E</b> x30	<b>F</b> x 8	<b>G</b> x 6
<b>G</b> x 6	<b>H</b> x16	<b>I</b> x16	<b>J</b> x 2	<b>K</b> x 2	<b>L</b> x 4	<b>M</b> x 2
		3x14mm	3x12mm	4x30mm	4x35mm	

1

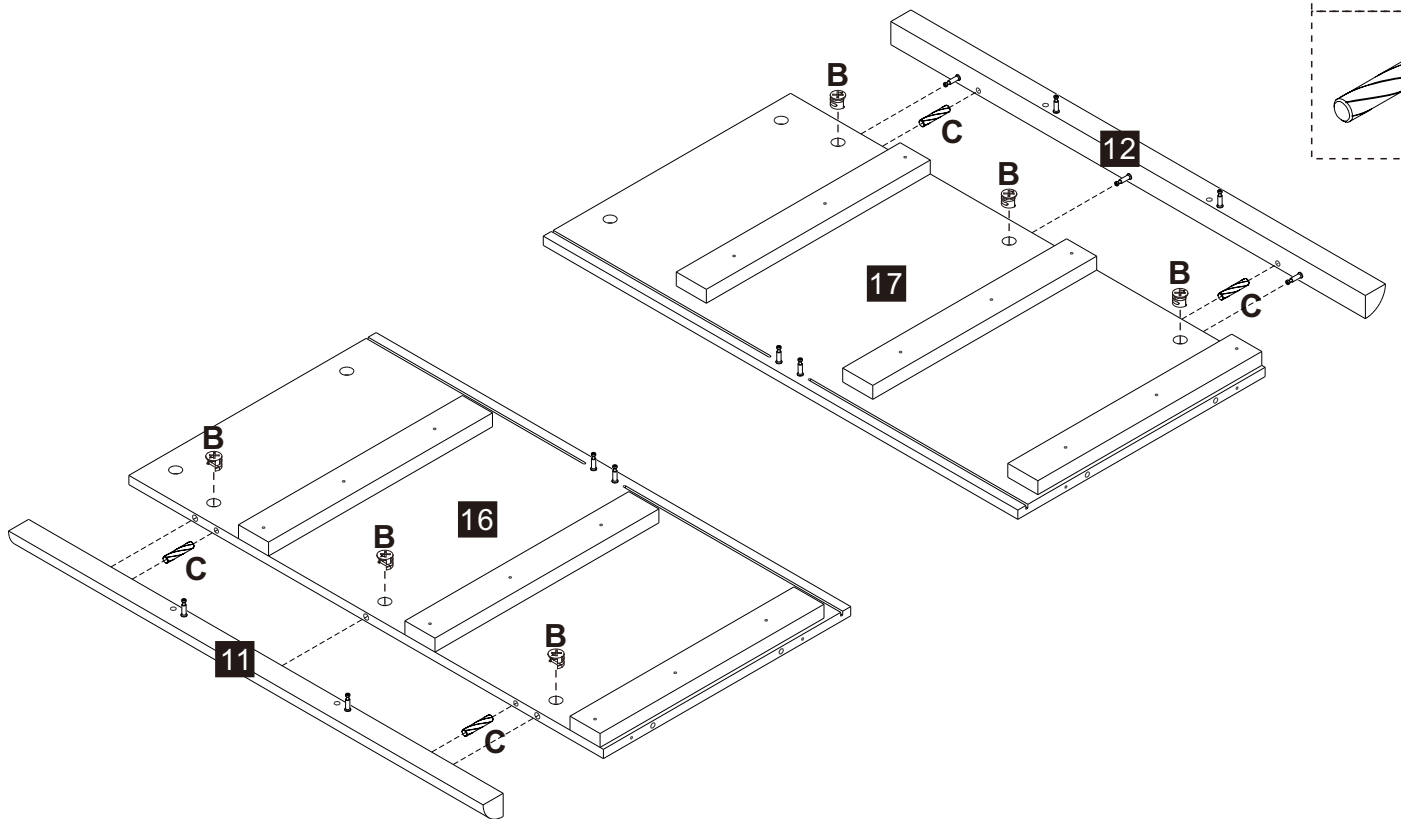
A x14



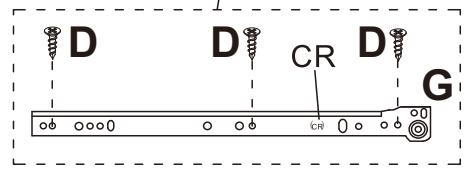
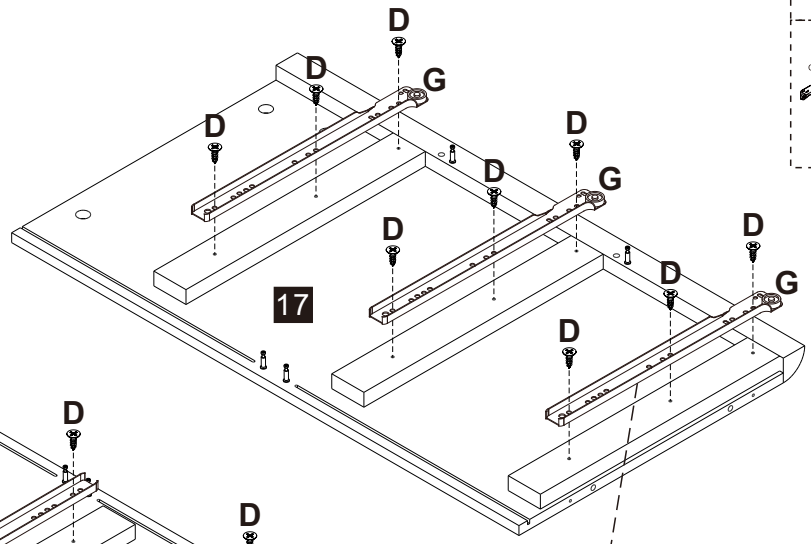
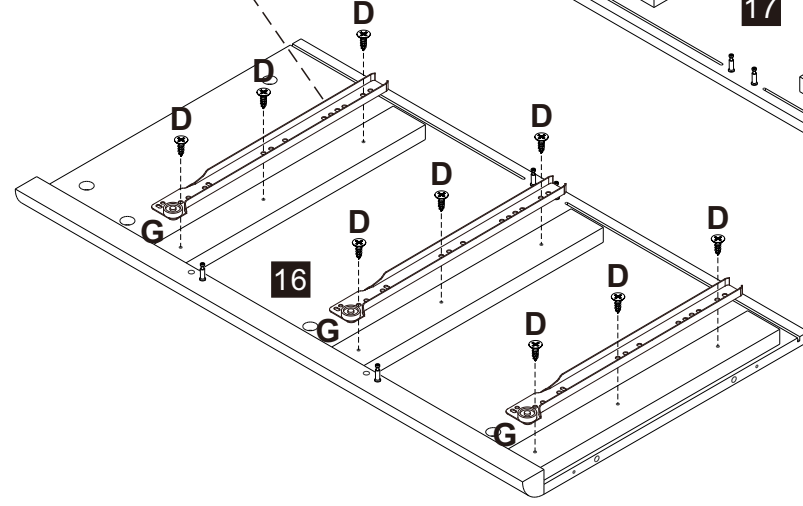
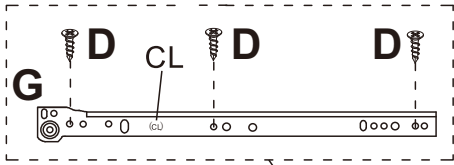
2

B x6

C x4



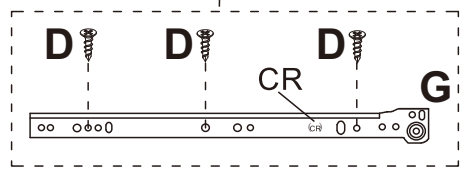
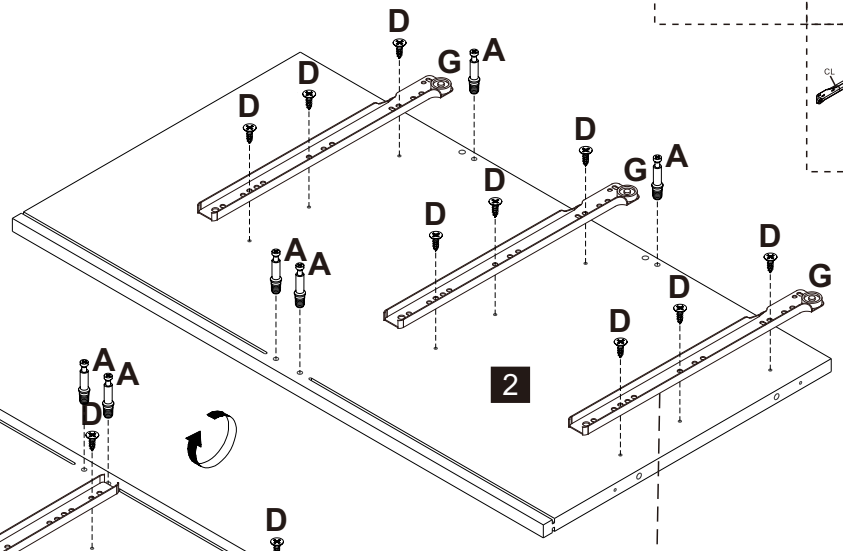
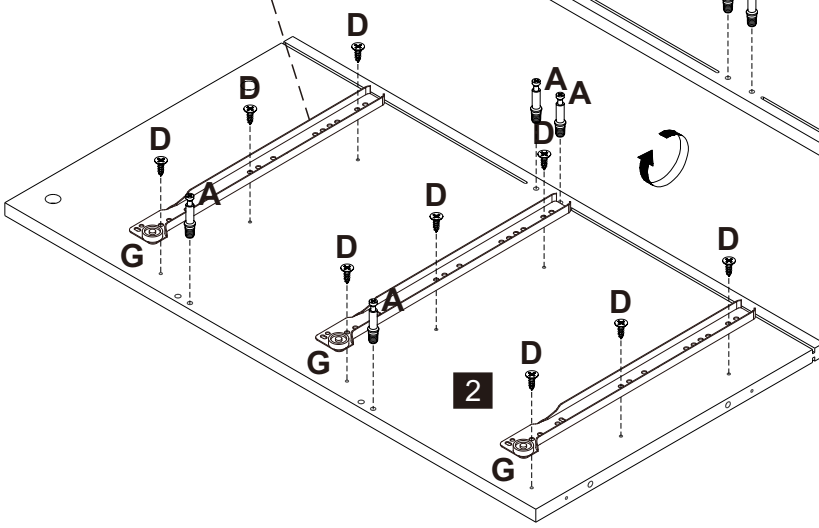
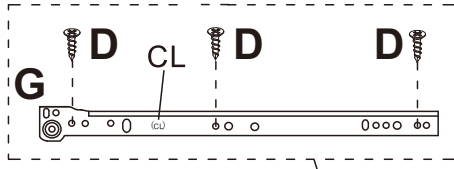
3



D x 18

G x 3

4



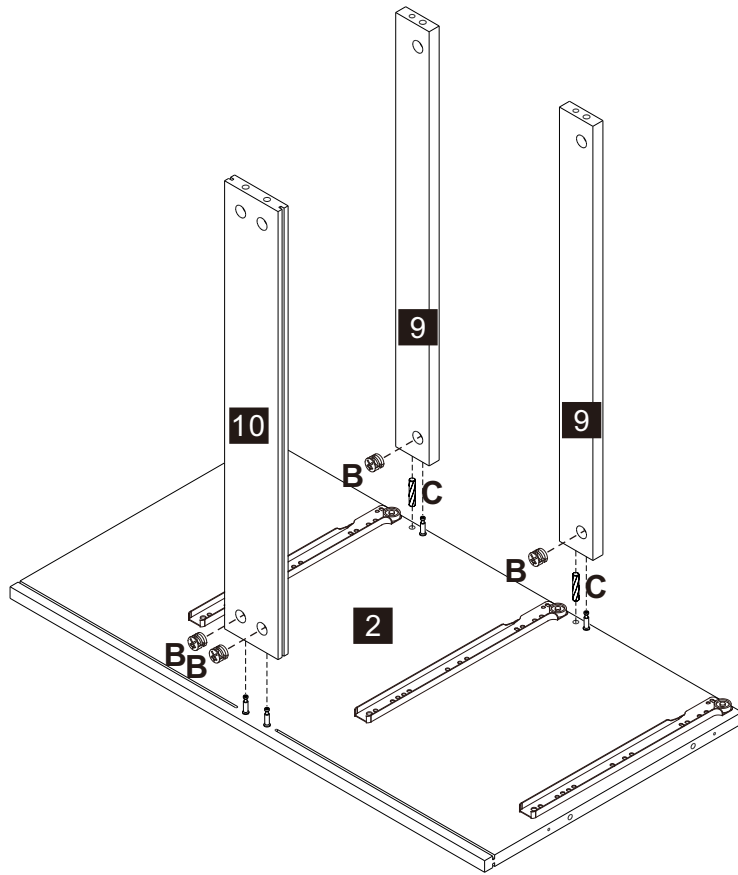
A x 8

D x 18

G x 3

Please flip it over. The tracks need to be installed on both sides.

5



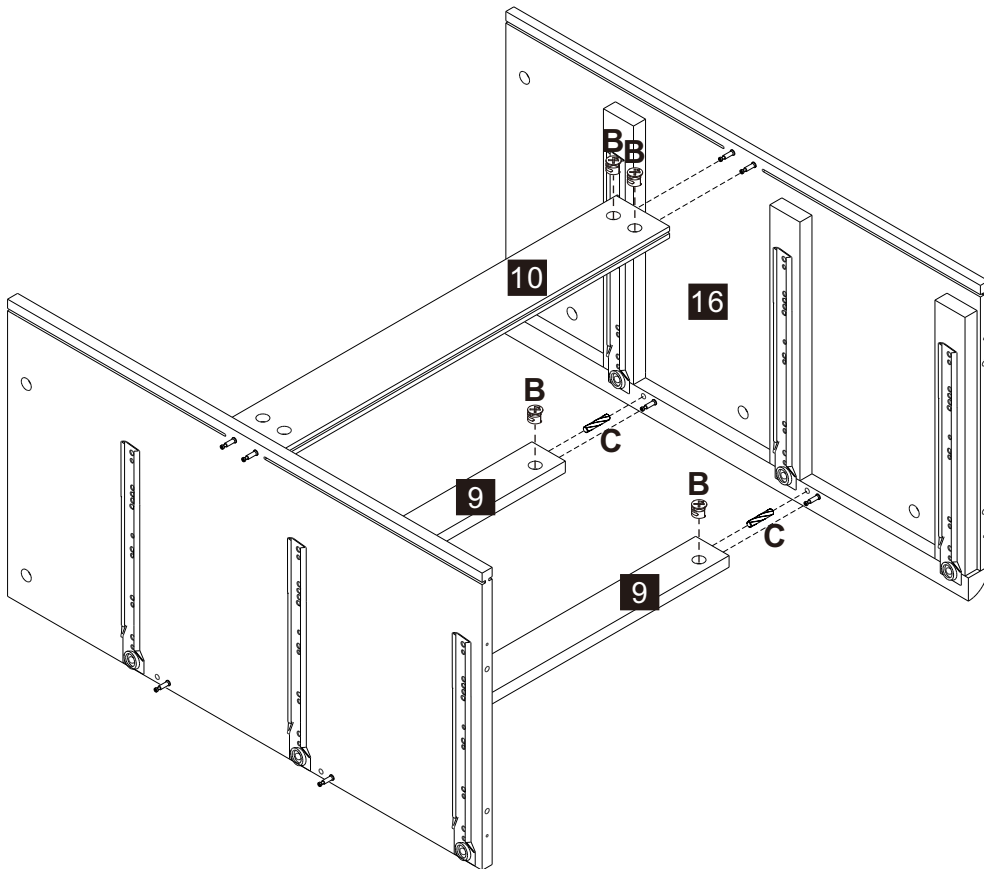
B x 4



C x 2



6



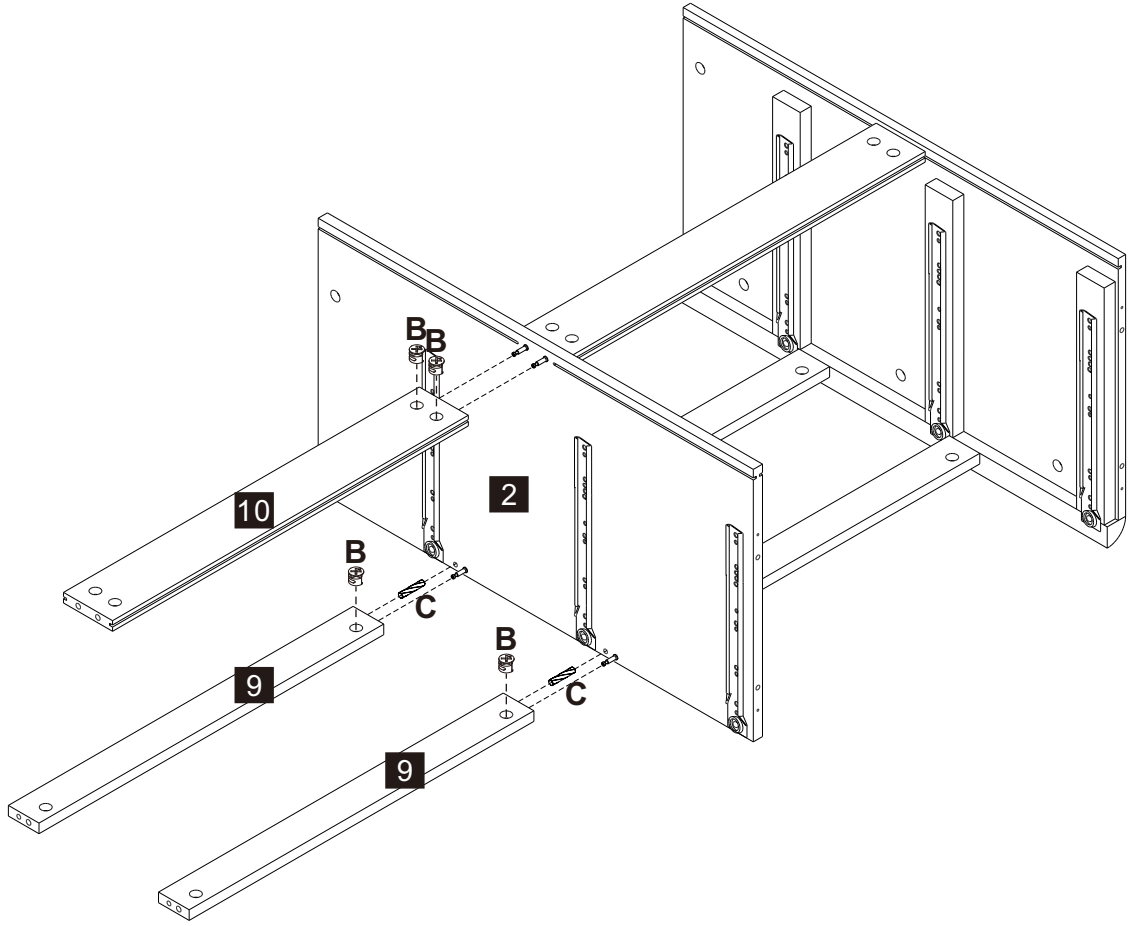
B x 4



C x 2



7



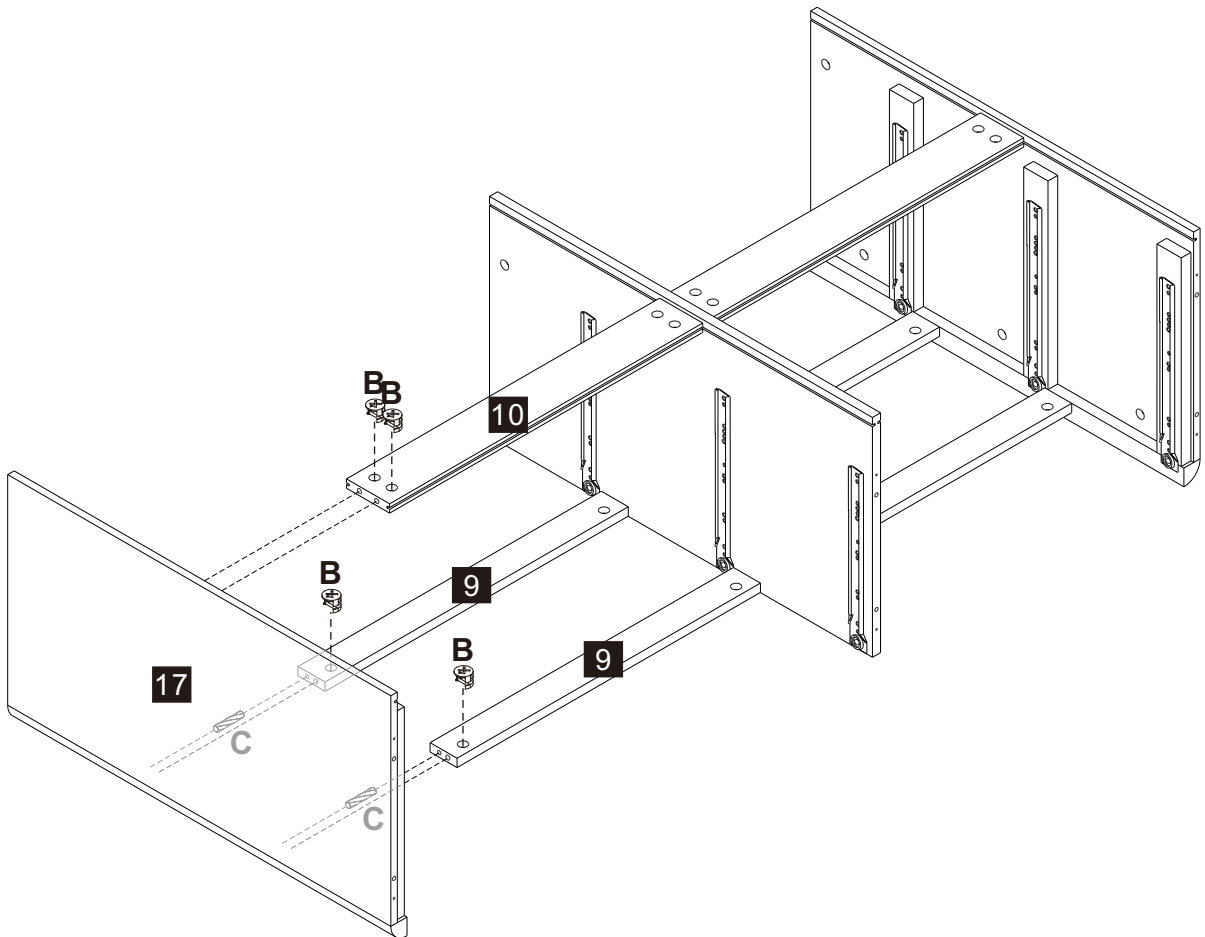
B x 4



C x 2



8



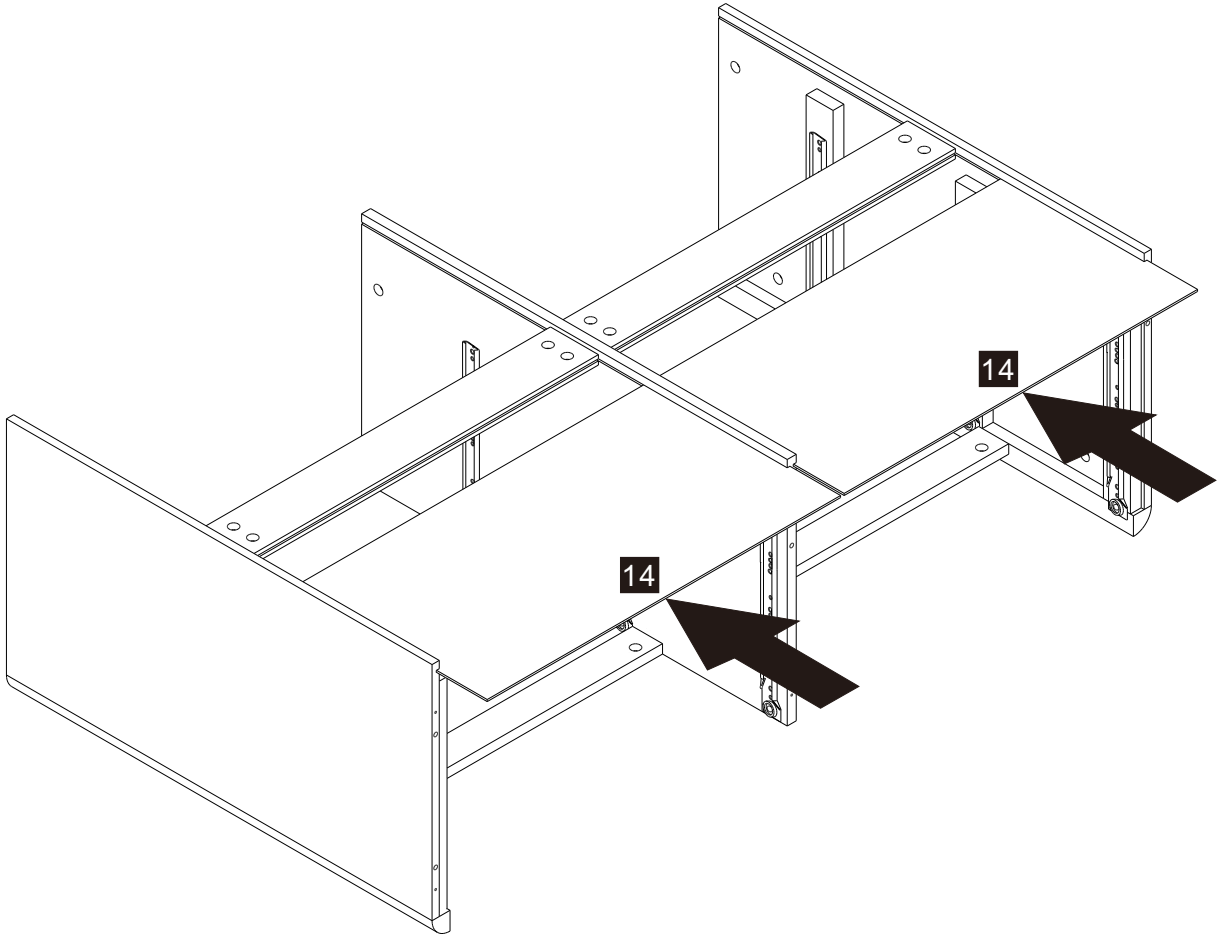
B x 4



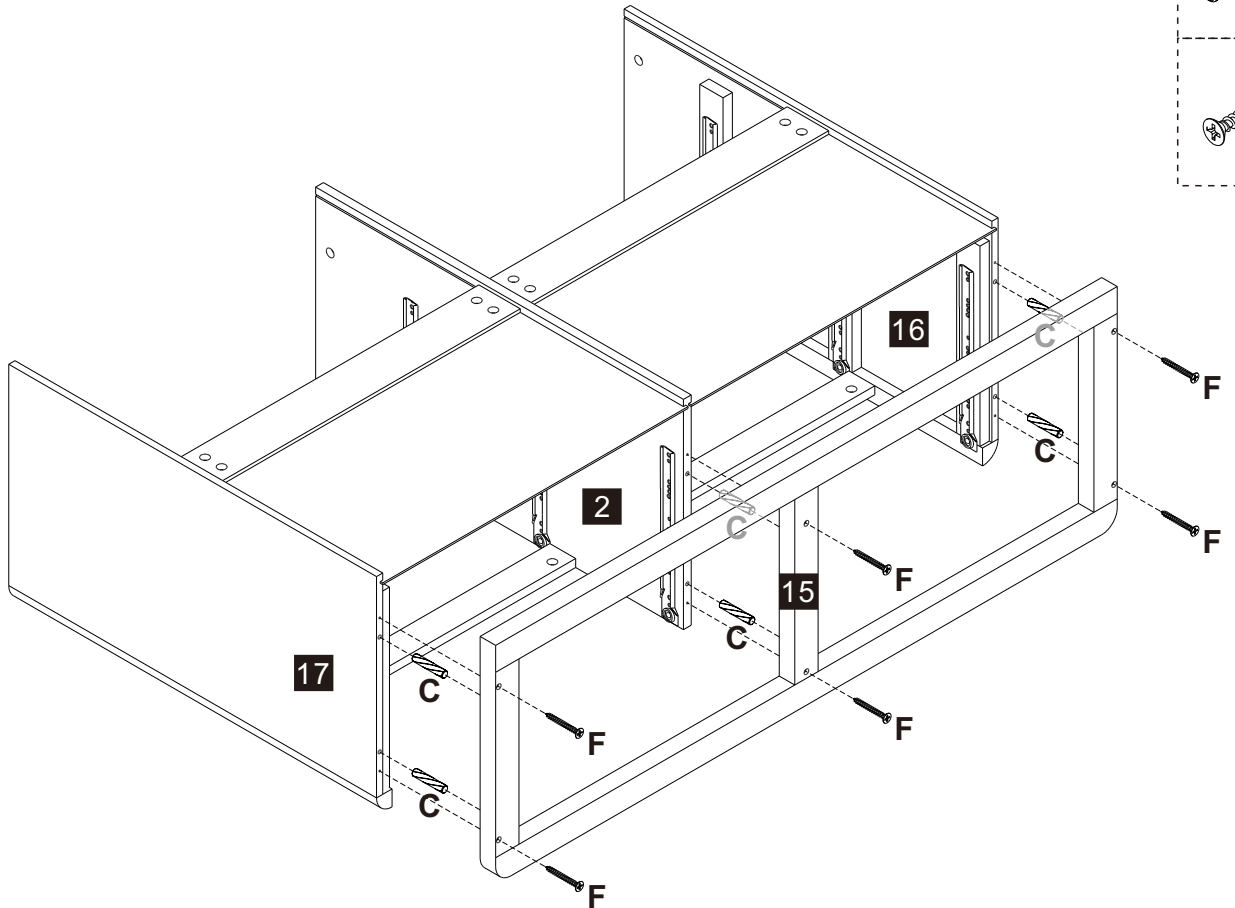
C x 2



9



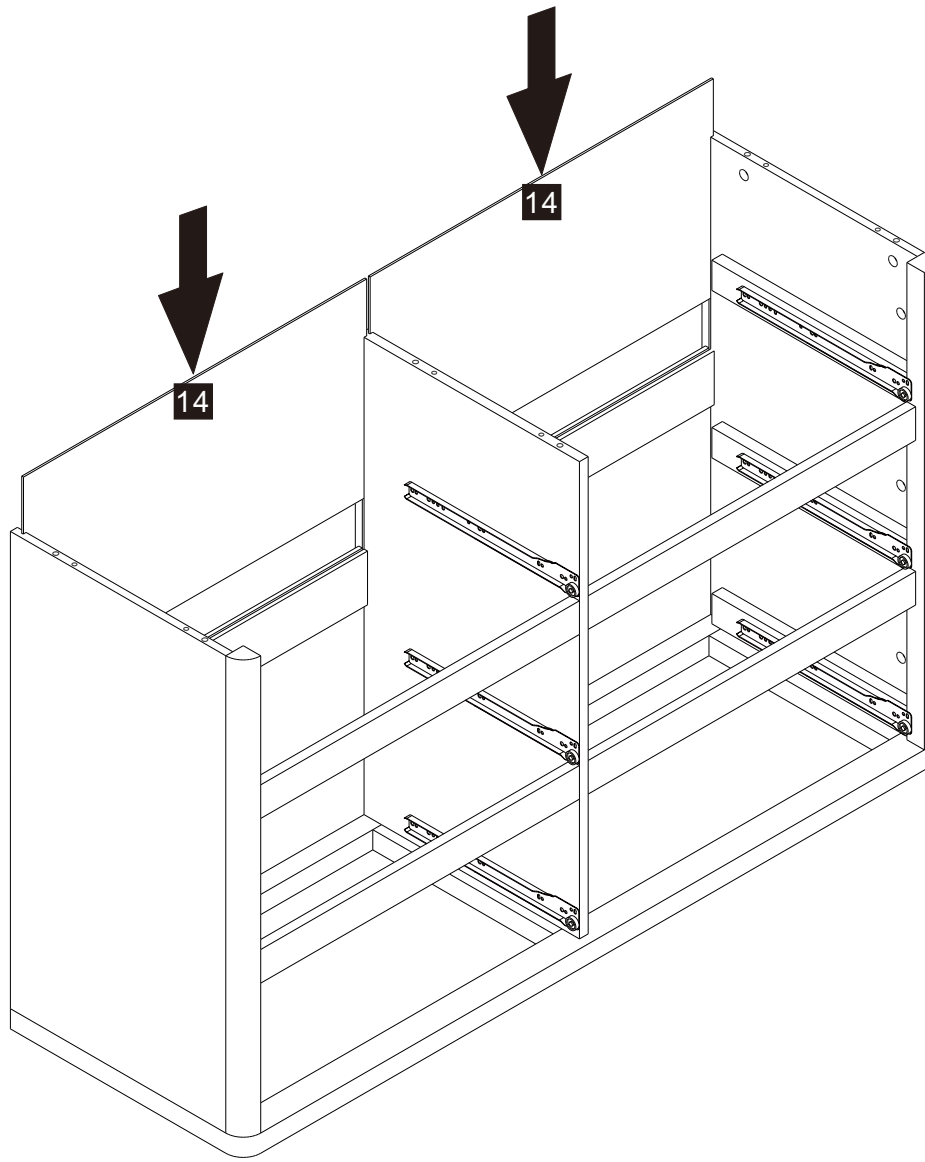
10



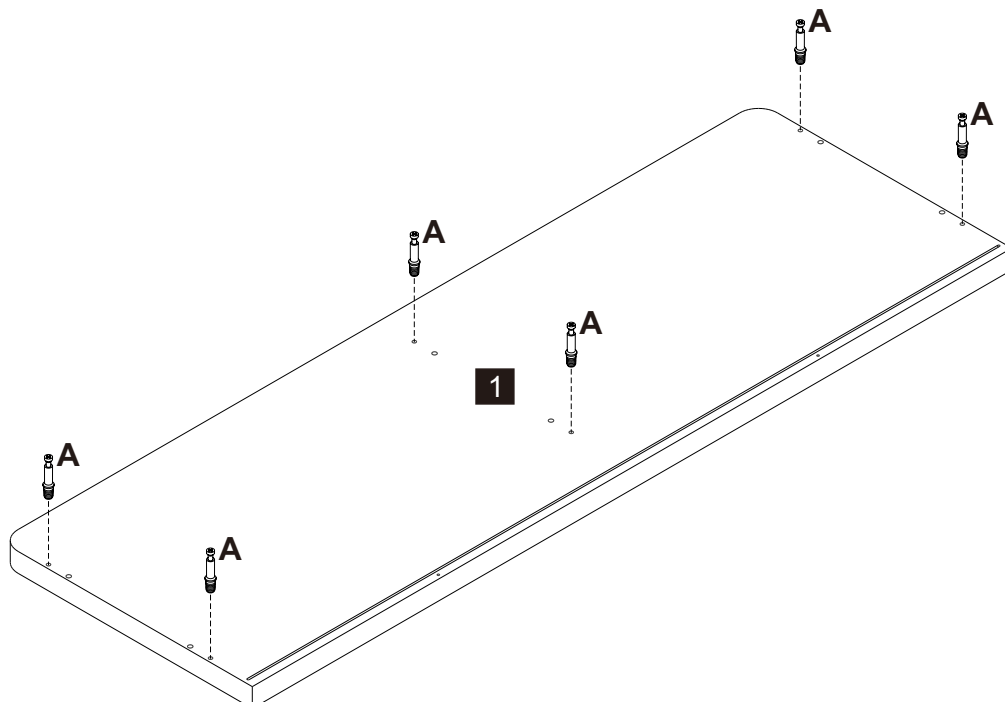
C x 6

F x 6

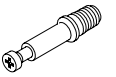
11



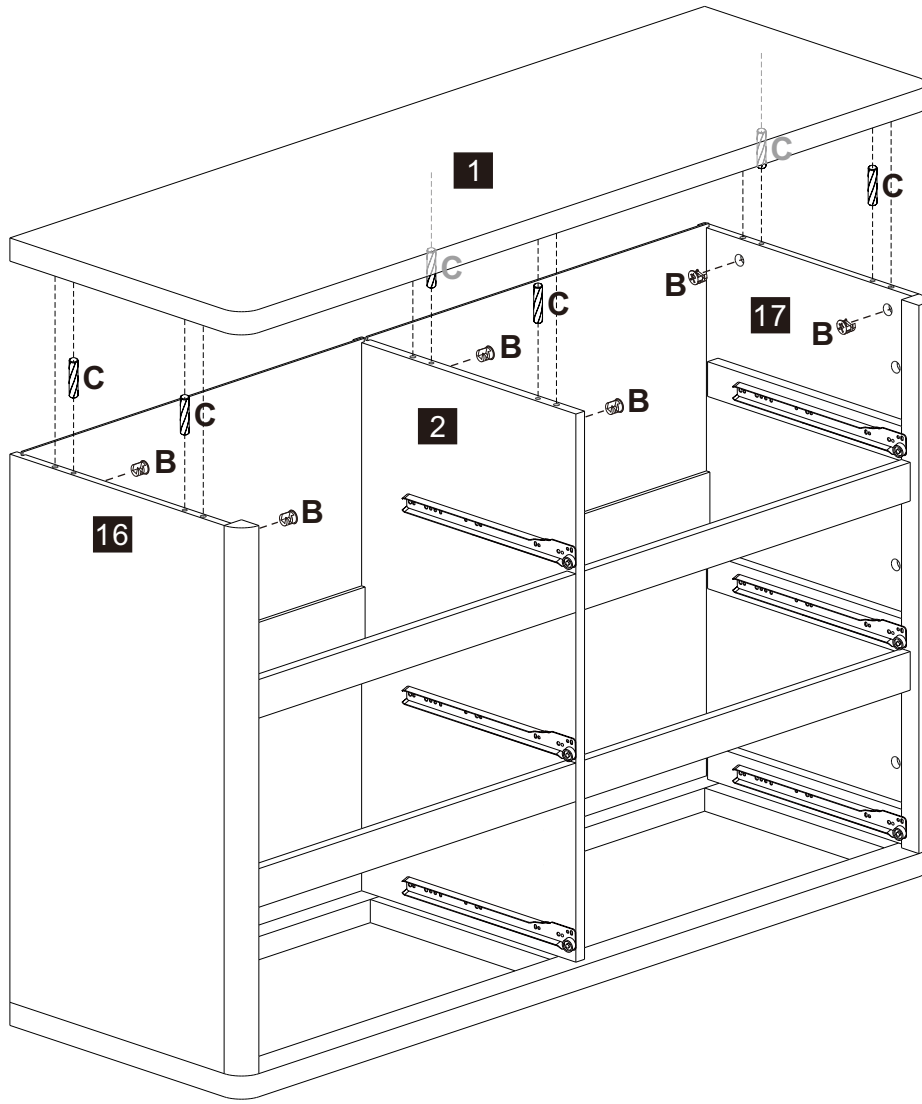
12



A x 6

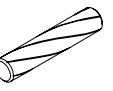


13

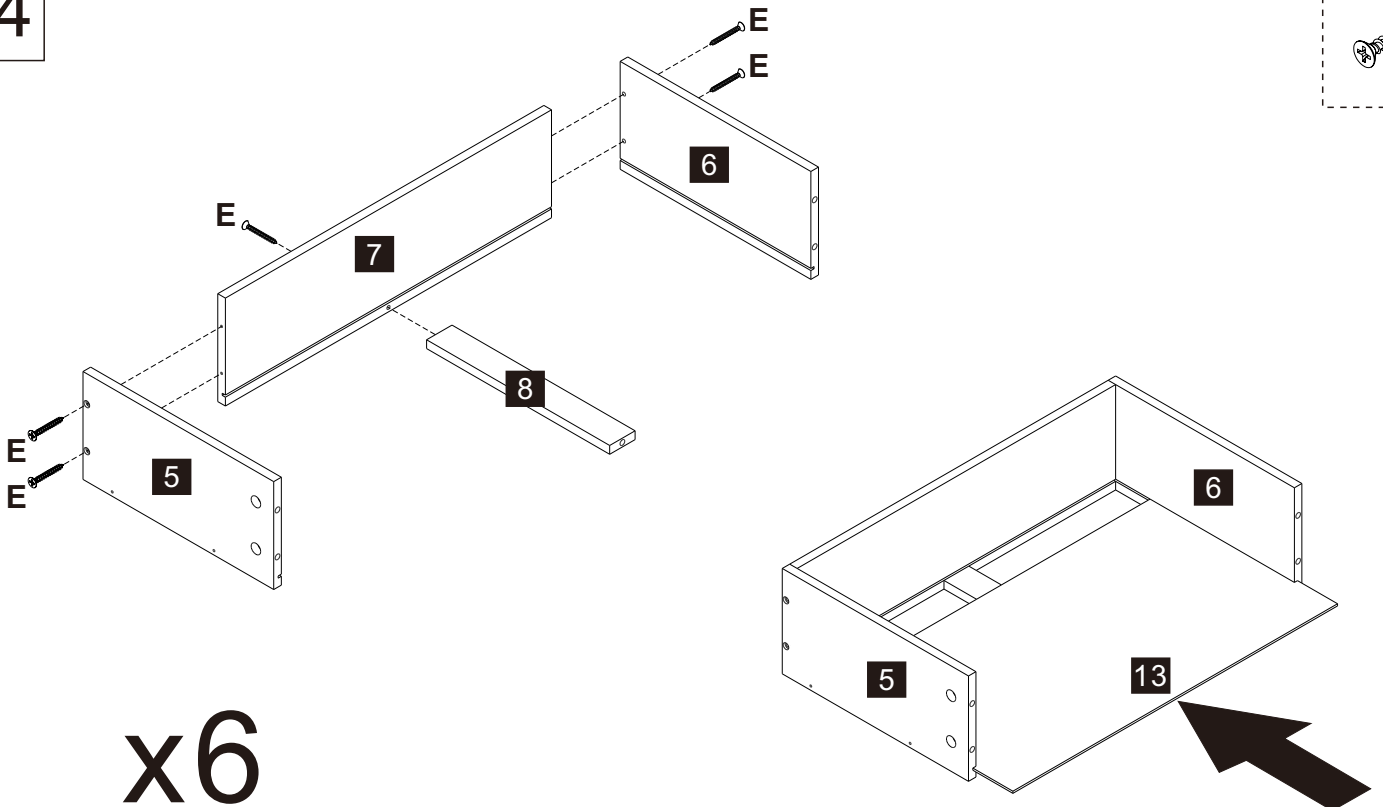


B x 6

C x 6



14

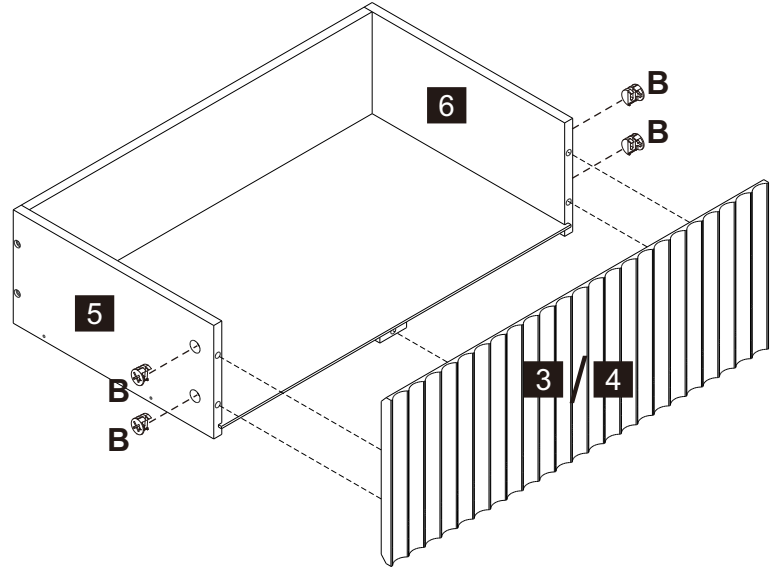
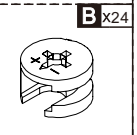
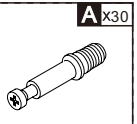
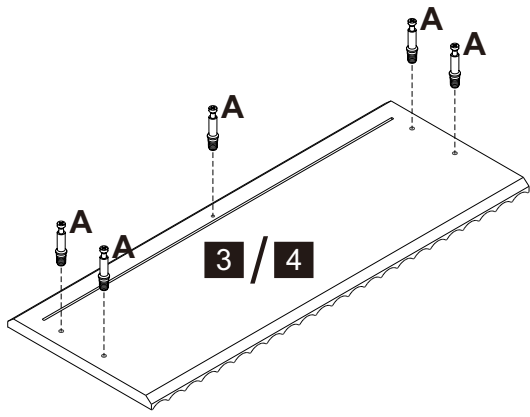


E x 30



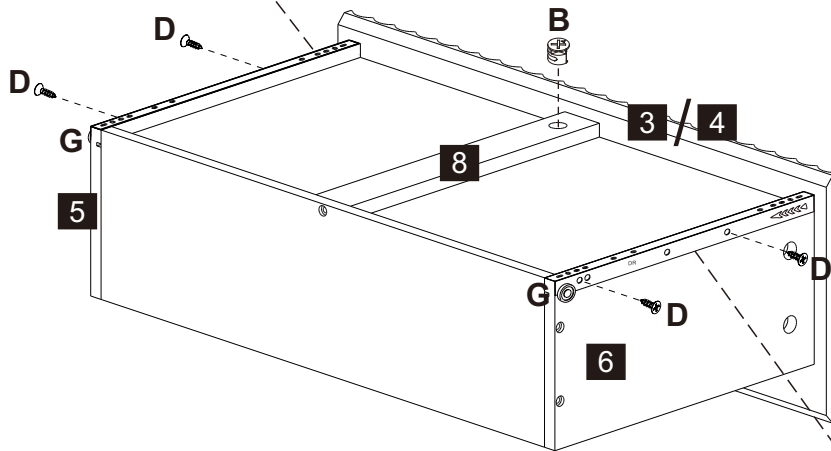
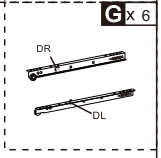
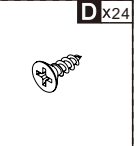
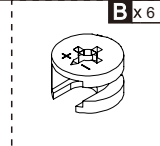
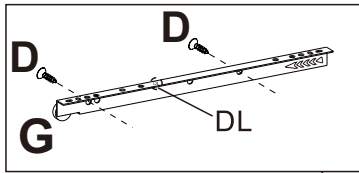
x6

15

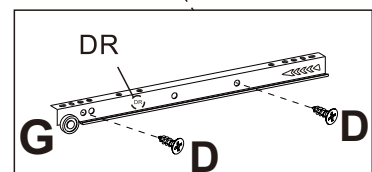


x6

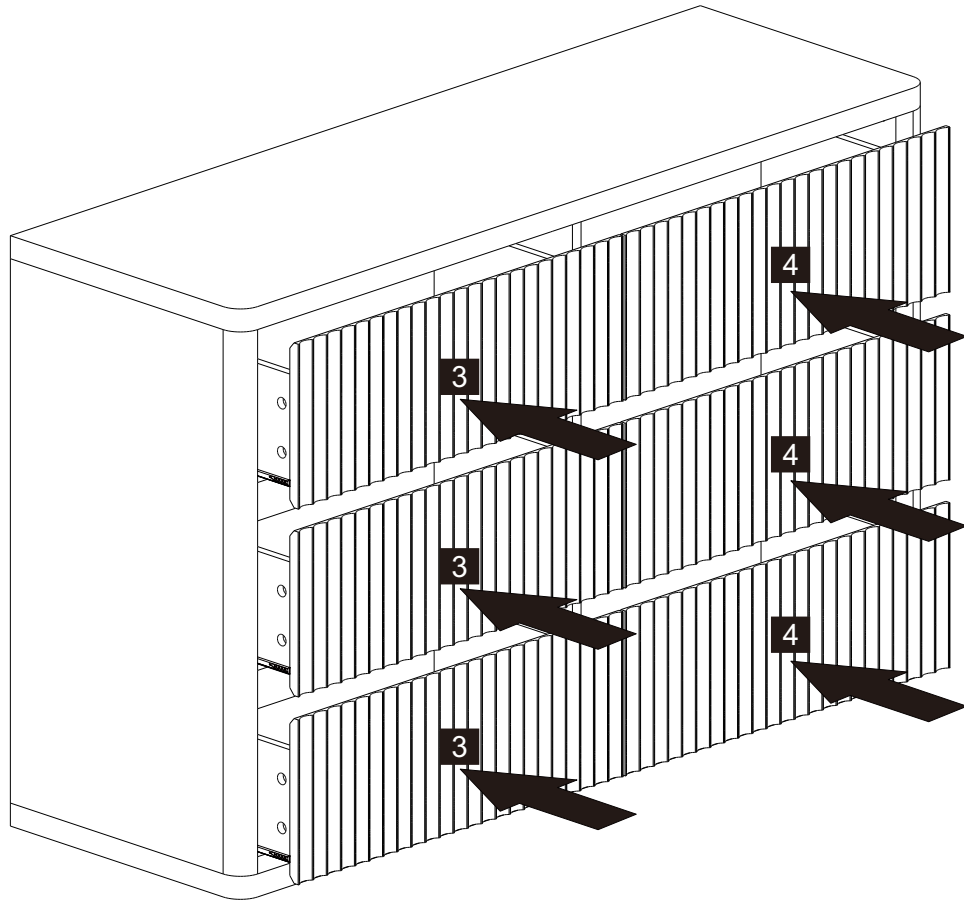
16



x6



17



18

