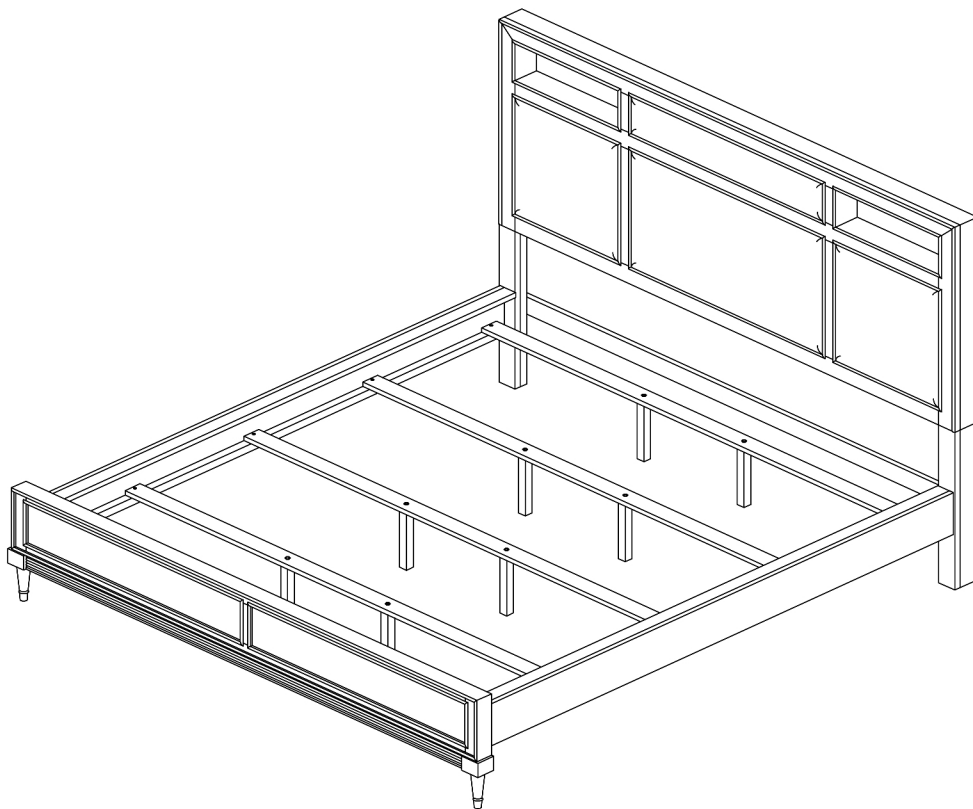


ASSEMBLY INSTRUCTIONS



TOOLS REQUIRED



Allen Wrench

(Included)



**Phillips
Screwdriver**

(Not Included)



**2 - People
Recommended**

ASSEMBLY RATING



EASY —————> DIFFICULT

The Assembly Rating is a 5-point system showing the level of effort needed to assemble a specific product.



CHECK BEFORE STARTING

Are you missing anything?

Double-check all parts, hardware and accessories listed on Page 6 are accounted for.

Should we send any replacements?

Are there any irregularities or flaws in the parts? We can send replacements!

Check out our Quick Tips!

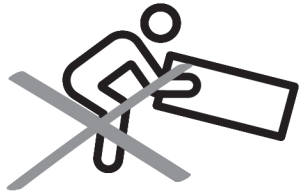
We recommend reviewing the pre-assembly handouts. Even experts need a refresher now and then!

Prep Time!

Please review the assembly instructions and all diagrams prior to assembling. Arrange parts as recommended on Page 7 and group identical hardware together to make assembling easier.

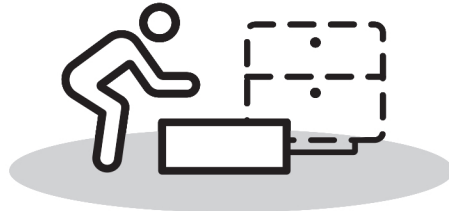
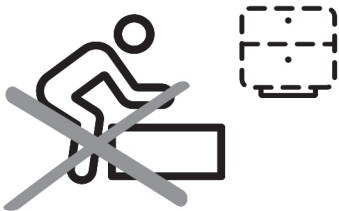
PRE ASSEMBLY INTRODUCTION

We understand building ready-to-assemble furniture can be a challenging experience for some. To help avoid confusion, we have provided some helpful tips that may speed up the process.



Teamwork

ALWAYS have at least two people to help with transporting and assembling the product to avoid potential injury and/or damage.



Suitable Location

Assembling near the area of the intended location is highly recommended.



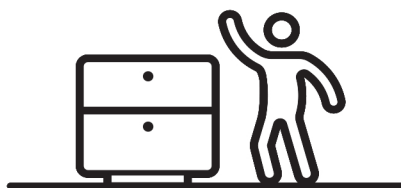
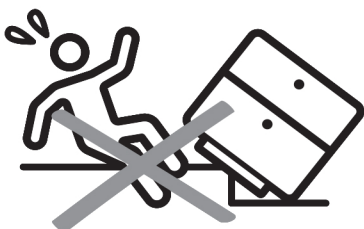
Sufficient Space

Make sure you have enough space to move around during the assembly.



Avoid Scratches

Use cardboard, blankets or a carpeted area while assembling furniture to prevent scratches.



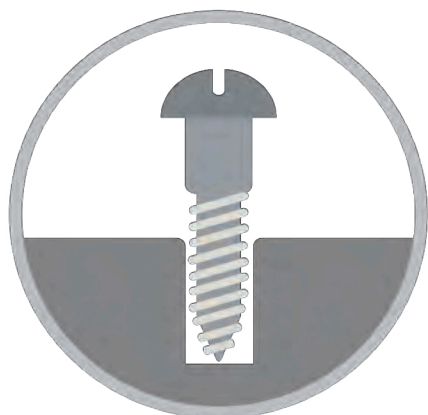
Flat Surface

Make sure the furniture rests on a flat and level surface with each leg evenly touching the floor.

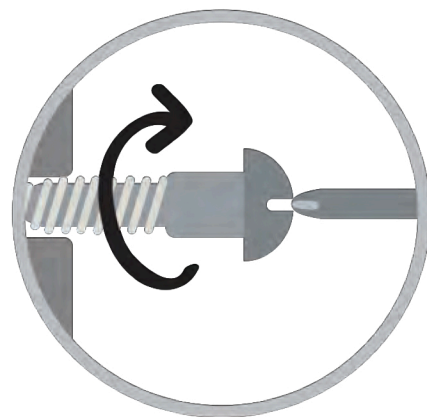
ASSEMBLY AND CARE ADVICE



FAILURE TO FOLLOW THE GUIDELINES BELOW MAY RESULT IN INJURY AND/OR PROPERTY DAMAGE.



Position each part correctly and insert screws or bolts into their respective holes.



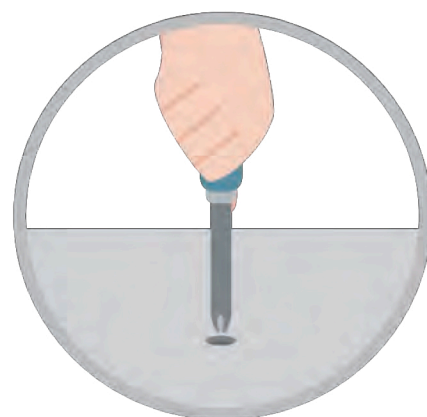
Turn clockwise to tighten and only tighten when step is completed or when instructed to do so.



Use the appropriate hand tools or power tools for assembly. Select steps, such as tightening screws and/or bolts, may require hand tools to avoid causing damage during assembly.



Save the instructions and store any supplied tools for later maintenance.



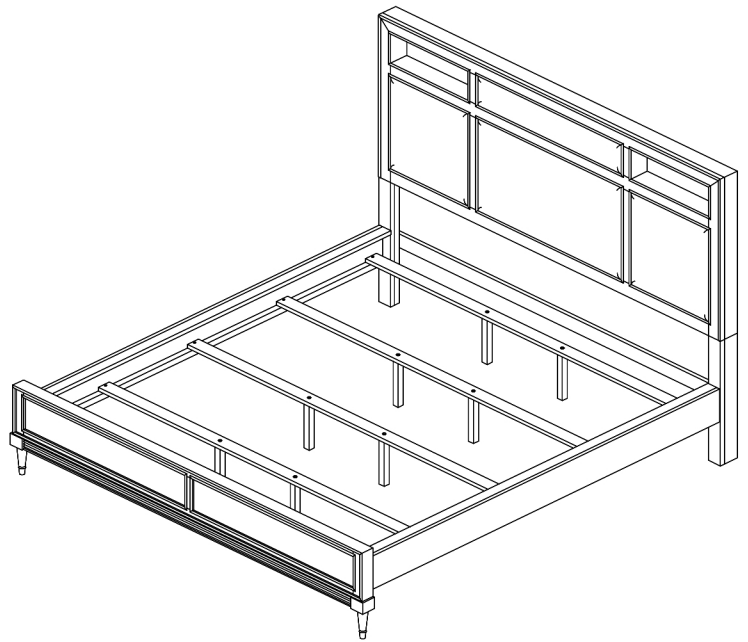
After two weeks, check and tighten any loose hardware and repeat again every six months thereafter.

IT IS THE USER'S RESPONSIBILITY TO MAINTAIN THE FURNITURE. THE HARDWARE MAY LOOSEN OVER TIME AND MAY CAUSE THE FURNITURE TO BE WOBBLY AND UNABLE TO SUPPORT ITS INTENDED WEIGHT CAPACITY. THIS MAY LEAD TO COLLAPSE AND MAY CAUSE SERIOUS INJURY.

KING BED

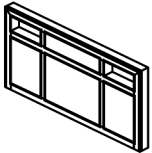


• Please keep instructions for future reference.
 • Check the quantity and irregularity of parts and hardware before you start.



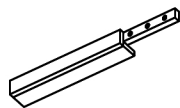
PARTS

#1 1pc



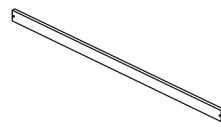
Headboard Panel

#2 2pcs



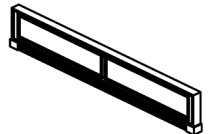
Leg (L&R)

#3 1pc



Leg Support

#4 1pc



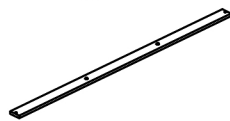
Footboard

#5 2pcs



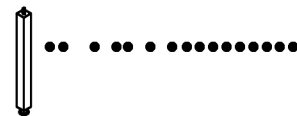
Rail

#6 4pcs



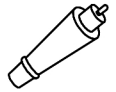
Slats

#7 8pcs



Support leg
240x30x30mm)

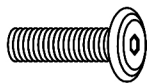
#8 2pcs



Leg

HARDWARE

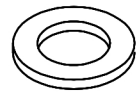
#A 8pcs



#B 8pcs



#C 8pcs



..... Flat washer

#D 1pc



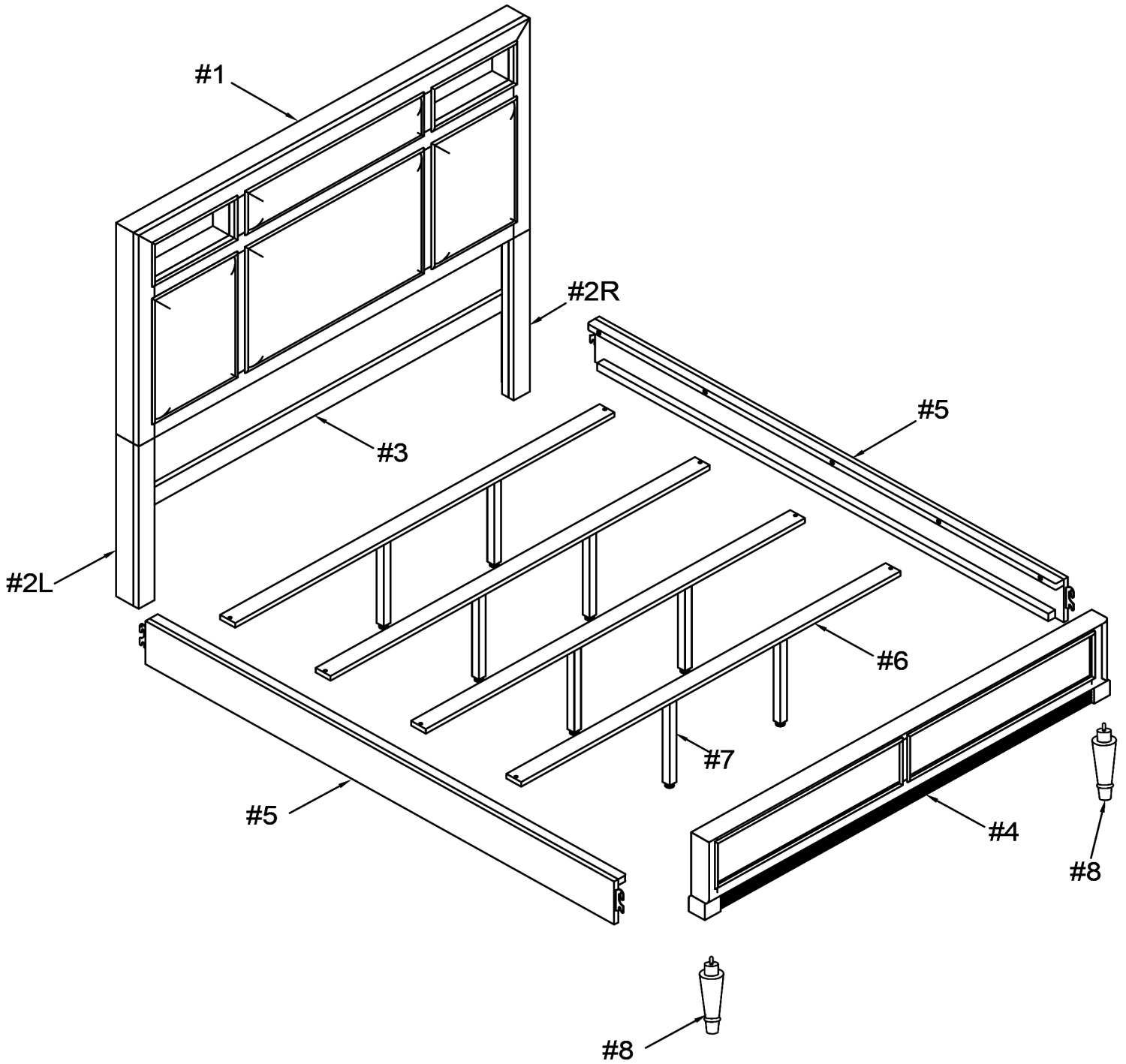
Allen wrench 4mm

#E 8pcs

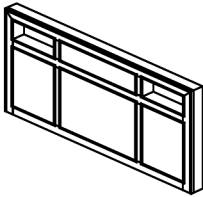
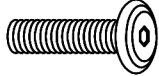

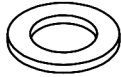
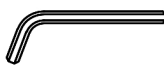
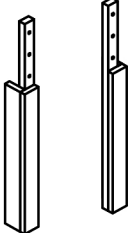
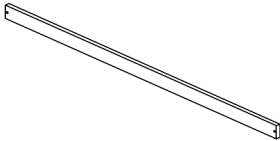
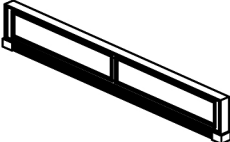

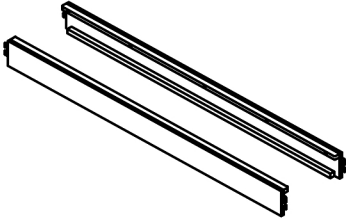

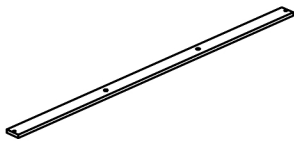
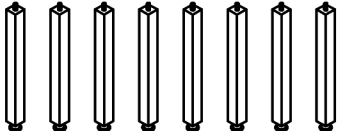


Screw #4 x 30mm

Exploded View



packed in 3 cases

Carton	Disignation	Part		Hardware
	Headboard Panel	#1		 #A x 8pcs  #B x 8pcs  #C x 8pcs  #D x 1pc
	Leg (L&R)	#2		
	Leg Support	#3		
	Footboard	#4		
	Leg	#8		
	Rail	#5		 #E x 8pcs
	Slats	#6		
	Support leg (240x30x30mm)	#7		

ASSEMBLY INSTRUCTIONS

1

Part #1 x1pc

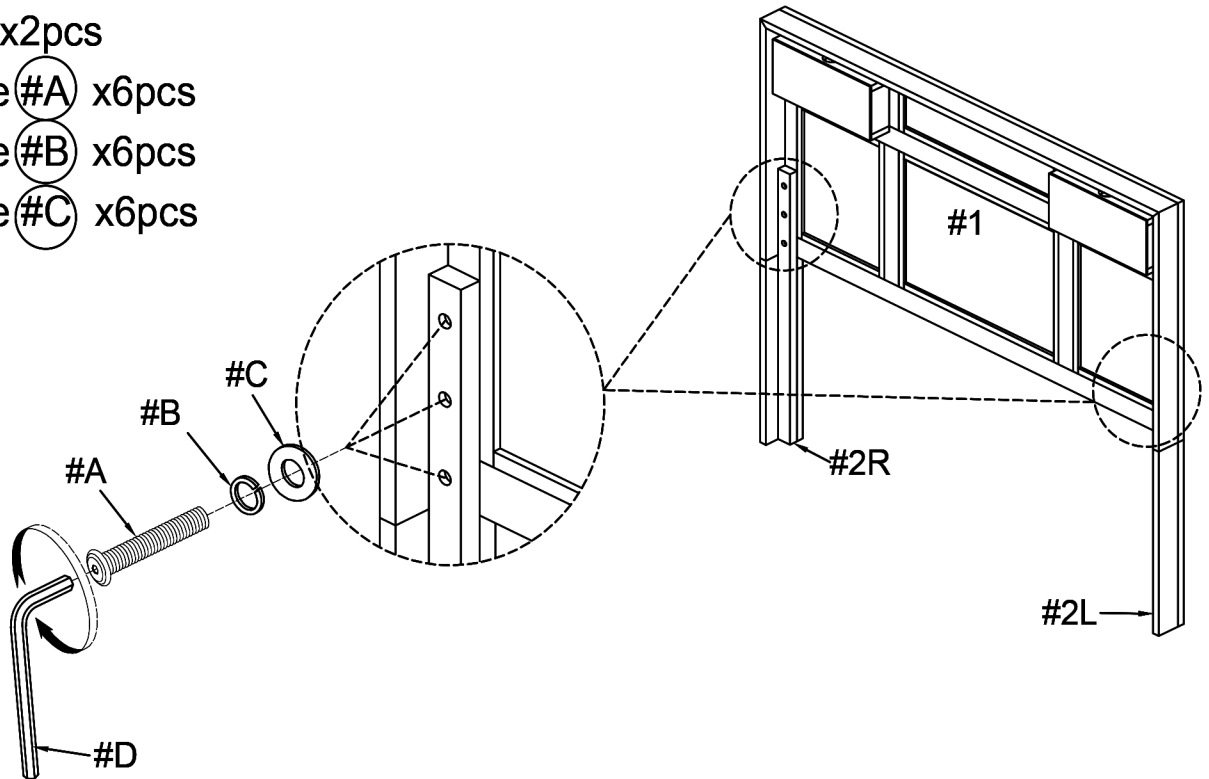
Part #2 x2pcs

Hardware #A x6pcs

Hardware #B x6pcs

Hardware #C x6pcs

Prepare 6 bolts assembly by inserting lock washer (#B), then flat washer (#C) onto bolts (#A). Align legs (#2R/L) to the holes of the headboard panel (#1). Secure with bolts (#A).



2

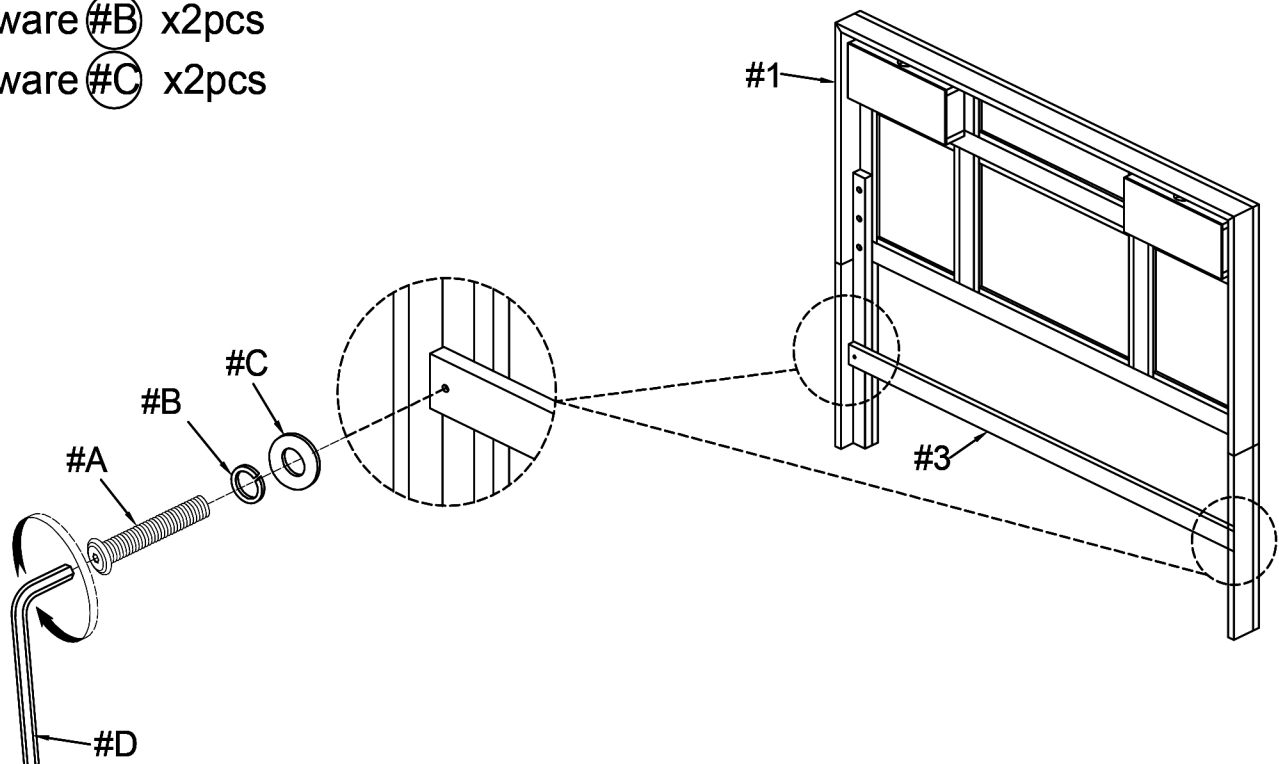
Part #3 x1pc

Hardware #A x2pcs

Hardware #B x2pcs

Hardware #C x2pcs

Prepare 2 bolts assembly by inserting lock washer (#B), then flat washer (#C) onto bolts (#A). Align leg support #3 to the holes of the headboard (#1). Secure with bolts (#A).



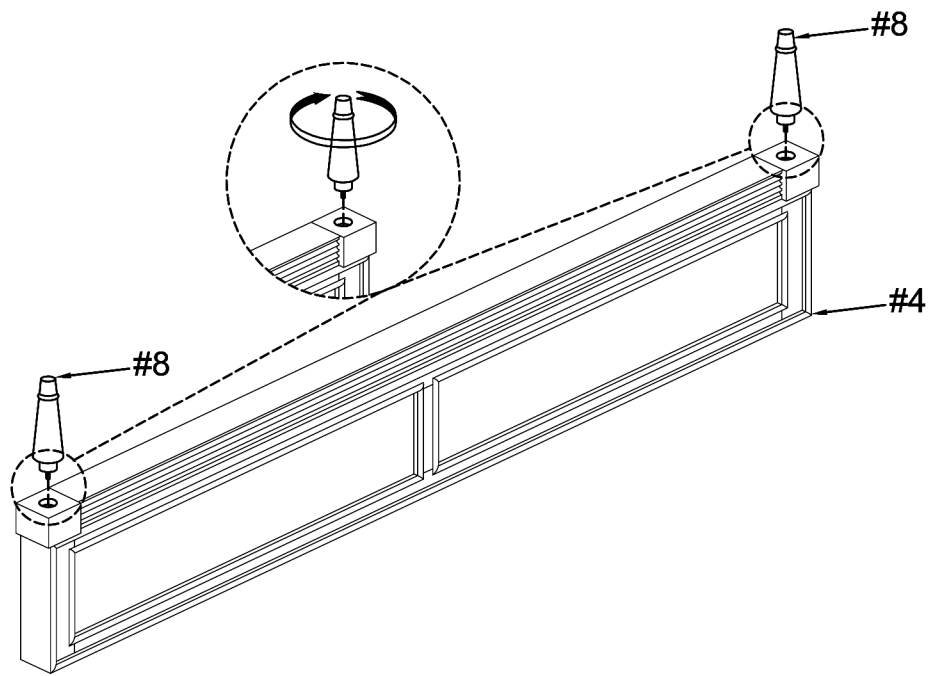
ASSEMBLY INSTRUCTIONS

3

Part #4 x1pc

Part #8 x2pcs

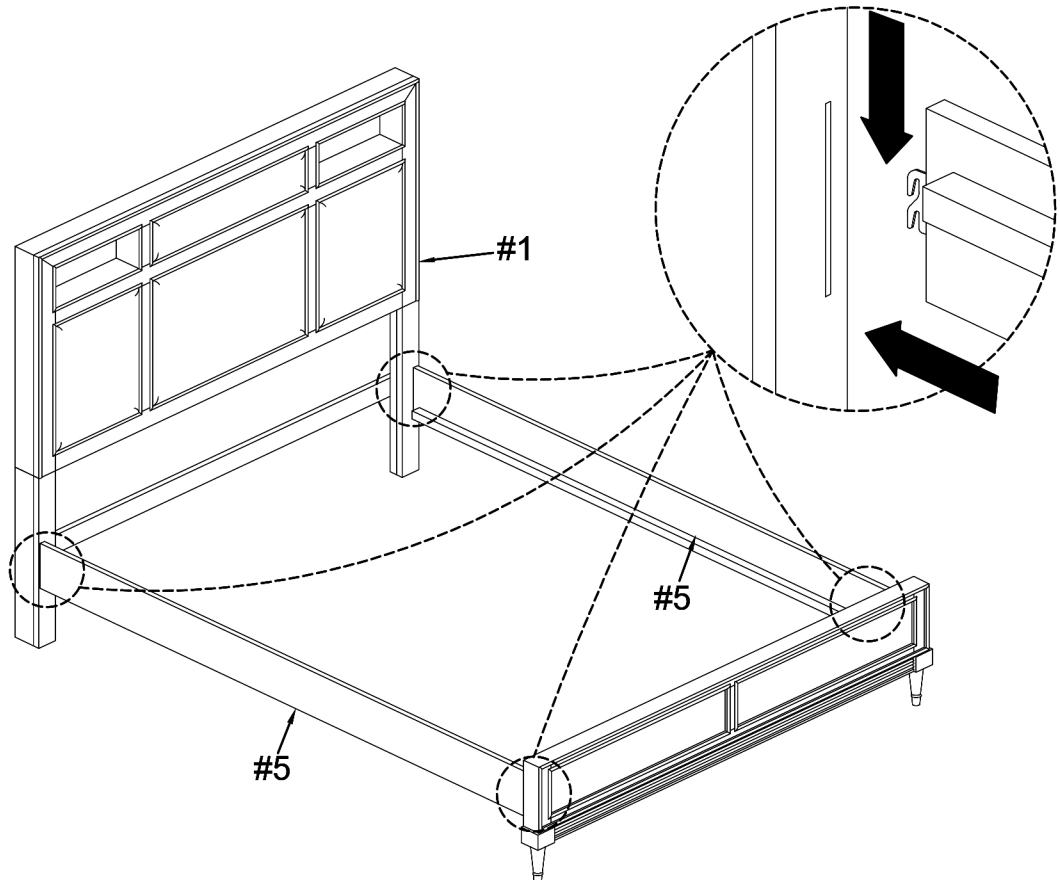
Attach legs (#8) to the footboard (#4).



4

Part #5 x2pcs

Hook side rails (#5) to the latch of the headboard (#1) and footboard (#4). Make sure the side rails (#5) are firmly connected to headboard and footboard.



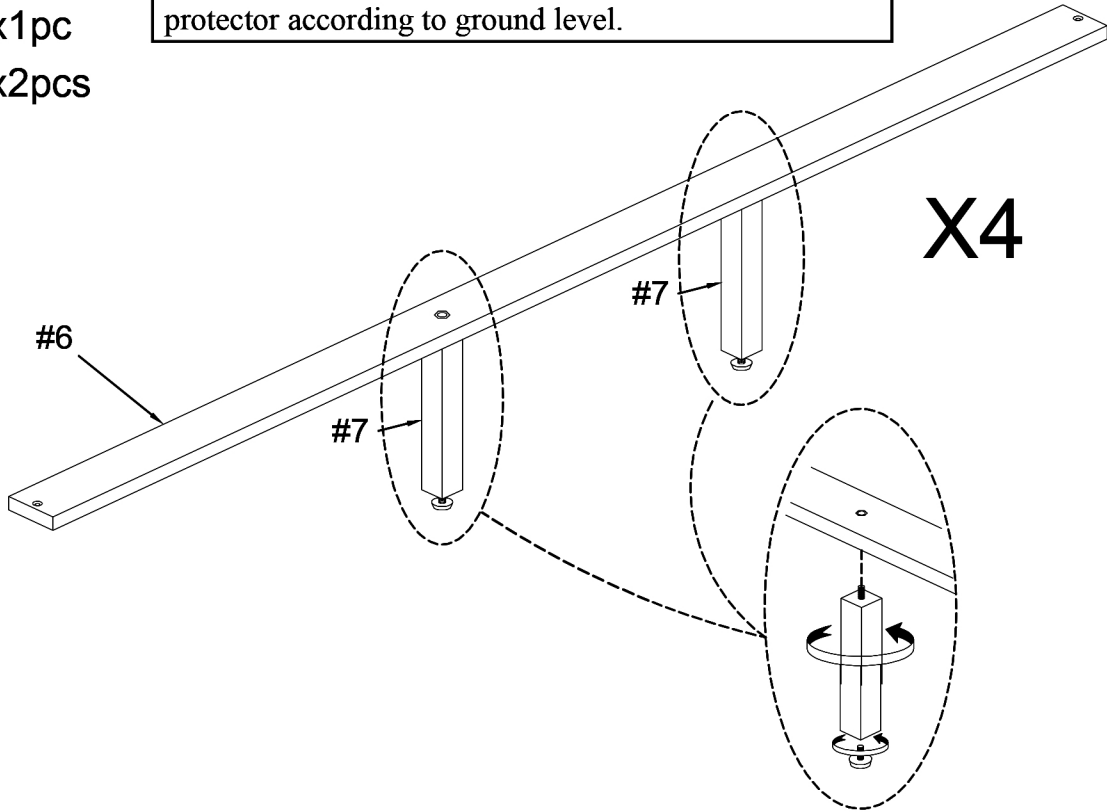
ASSEMBLY INSTRUCTIONS

5

Part #6 x1pc

Part #7 x2pcs

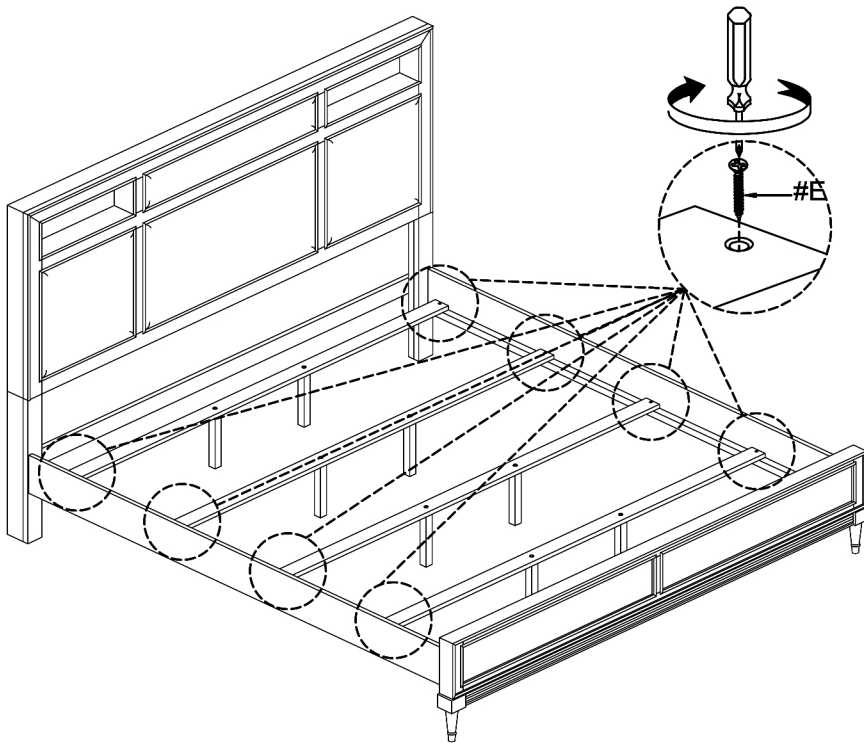
Attach 2 support legs (#7) to each slat (#6). Adjust floor protector according to ground level.



6

Hardware #E x8pcs

Align the slats (#6) to the side rails (#5), then secure with screws (#E).



ASSEMBLY COMPLETED



Please ensure the furniture rests on an even and flat surface. If the product wobbles or feels loose, double-check all bolts and/or screws are properly tightened and secured.



Keep this handy!

Please retain this instruction manual and any order-related information for future reference.



Lift, don't drag!

To avoid damage to product please always LIFT the product when transporting or adjusting the placement.