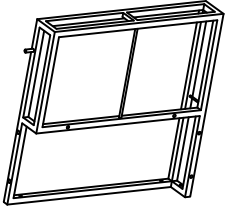
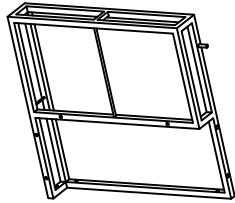


Assembly Instruction

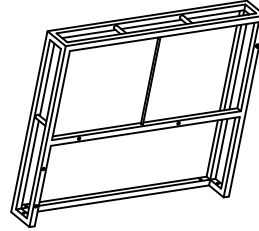
1. Please check the carton and Packing materials before disposing, to ensure that you have all the parts for this products
2. Do not tighten all screws completely until assemble is completed



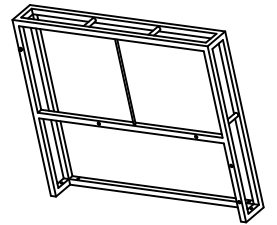
A:Right sofa back
1pc



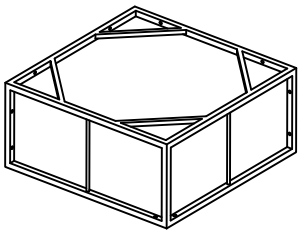
B:Left sofa back
1pc



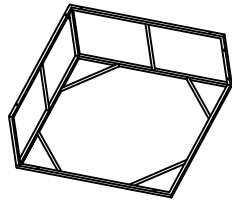
C:Right sofa arm
1pc



D:Left sofa arm
1pc



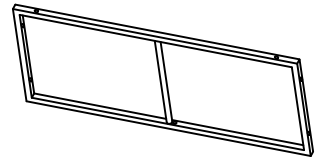
F:Right and leftsofa seat
2pcs



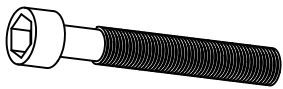
K:Table top
1pc



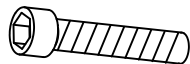
L:Table part1
1pc



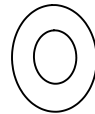
M:Table part2
1pc



S:Screw M6*50mm
20pcs



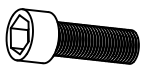
T: Screw M6*35mm
8pcs



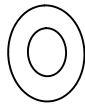
V:Shim $\phi 16*6.4*1$
48pcs



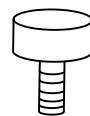
W:Nut M6
20pcs



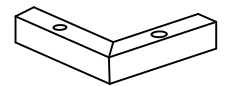
X:Screw M6*25mm
24pcs



Y:Shim $\phi 11*6.2*1$
24pcs



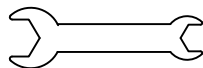
Z:Adjustable foot pad
12pcs



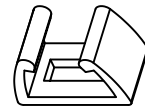
R: sofa foot
12pcs



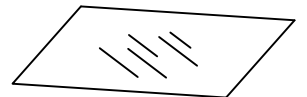
Inner hexagon spanner
1pc



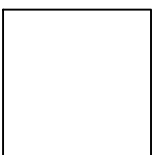
Open spanner
1pc



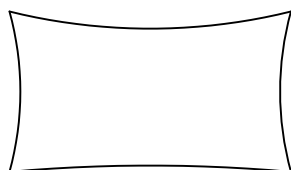
Plastic parts
4pcs



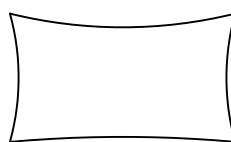
Glass
1pc



Seat sotton
2pcs

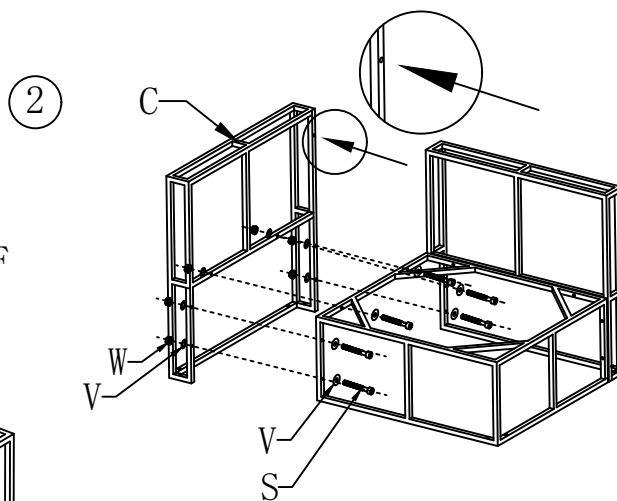
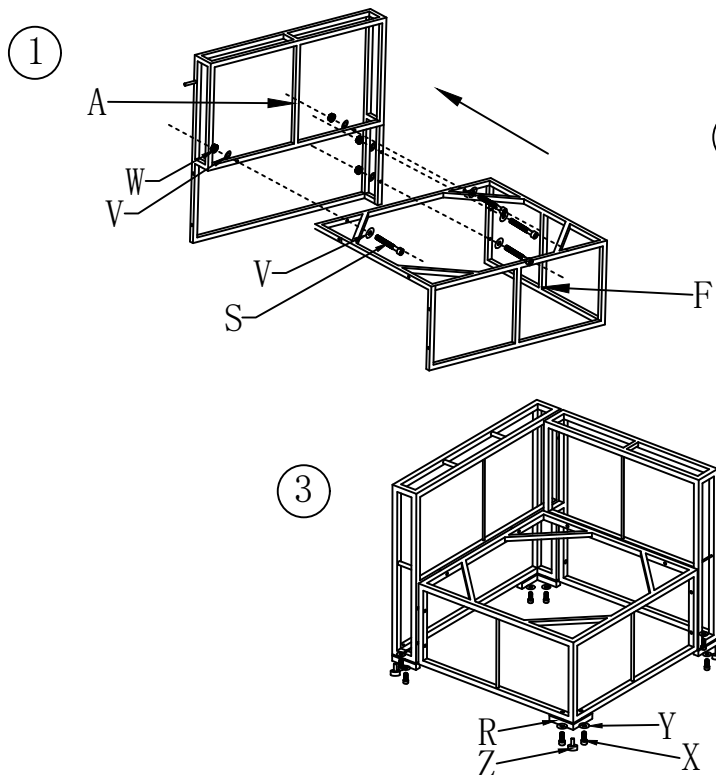


Back cotton
2pcs

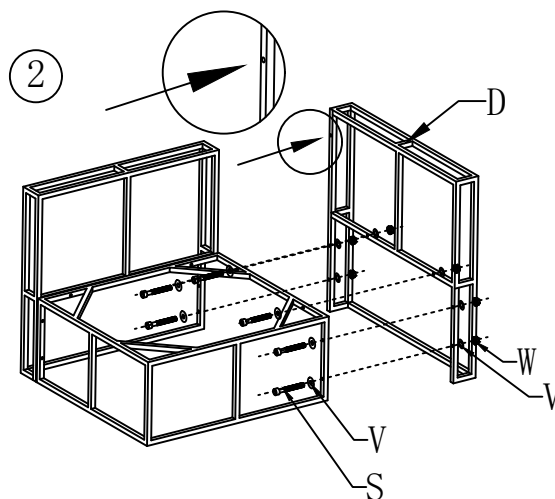
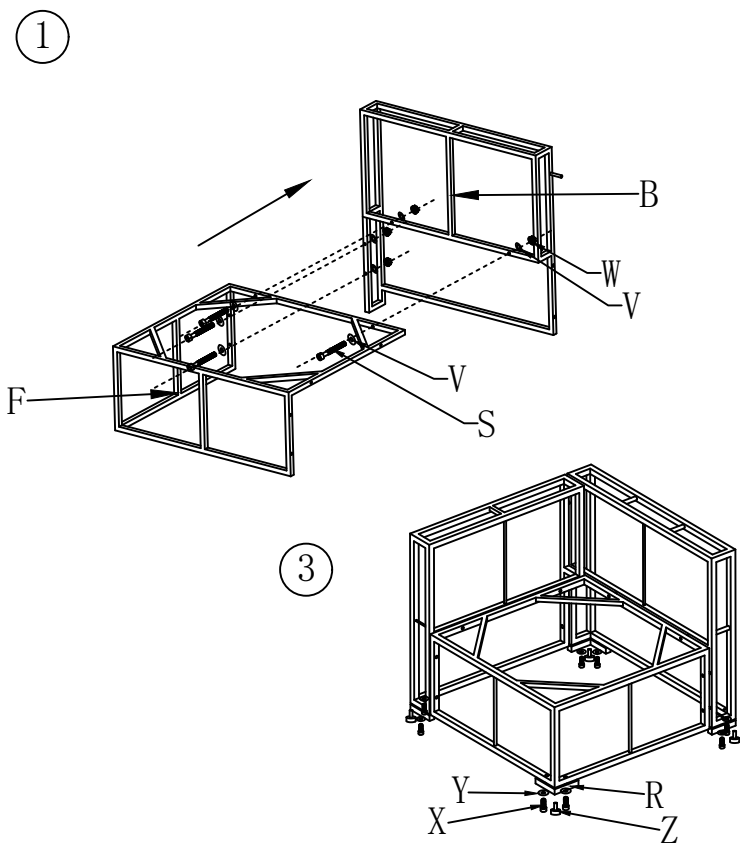


Bcak cotton(small)
2pcs

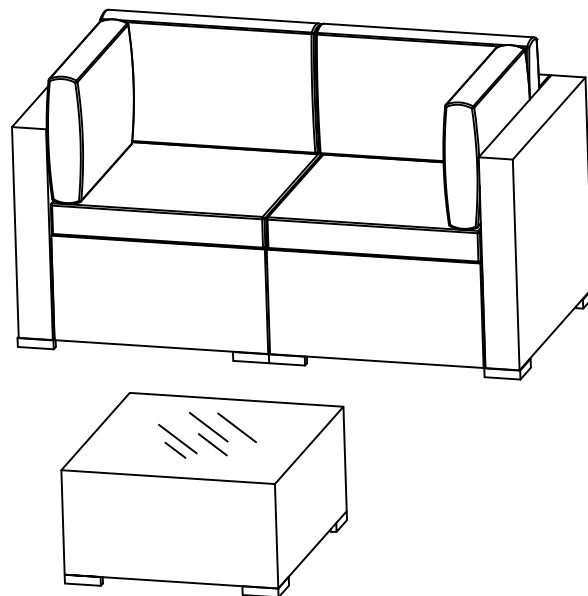
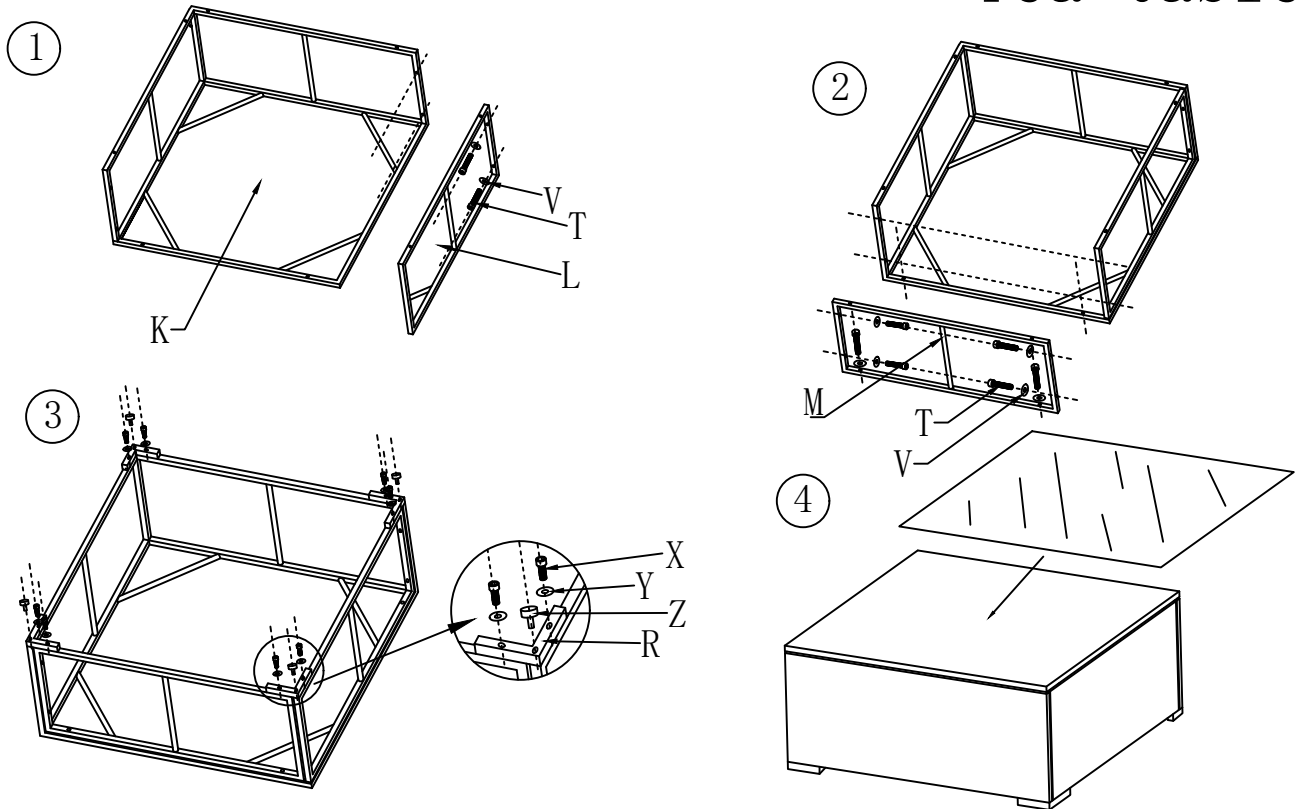
Right sofa



left sofa



Tea table

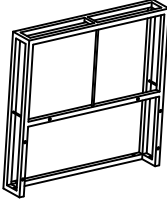
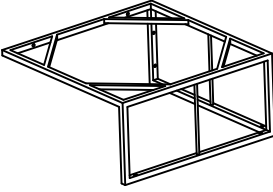
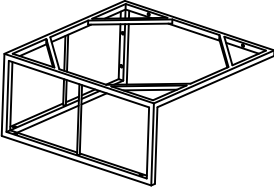
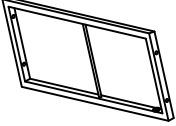
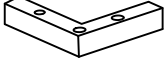


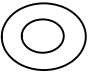


WARNING



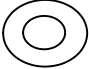


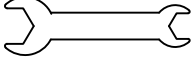
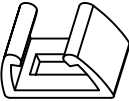
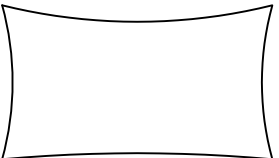
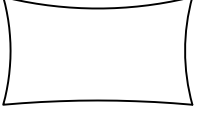

- Do not let any sharp objects touch or rub the surface of the product.
When assembling, do not let children play around the working area.
Please confirm all parts are correct before starting the assembly process.
Do not tighten all bolts and screws completely until the entire unit has been assembled and set up.
Use only the wrench provided. **DO NOT USE POWER TOOLS.**
Power tools can overtighten screws and strip threads.
For each screw:
1. Tighten each screw until you meet resistance.
 2. Tighten one additional full rotation. **DO NOT OVERTIGHTEN.**

Assembly Instruction

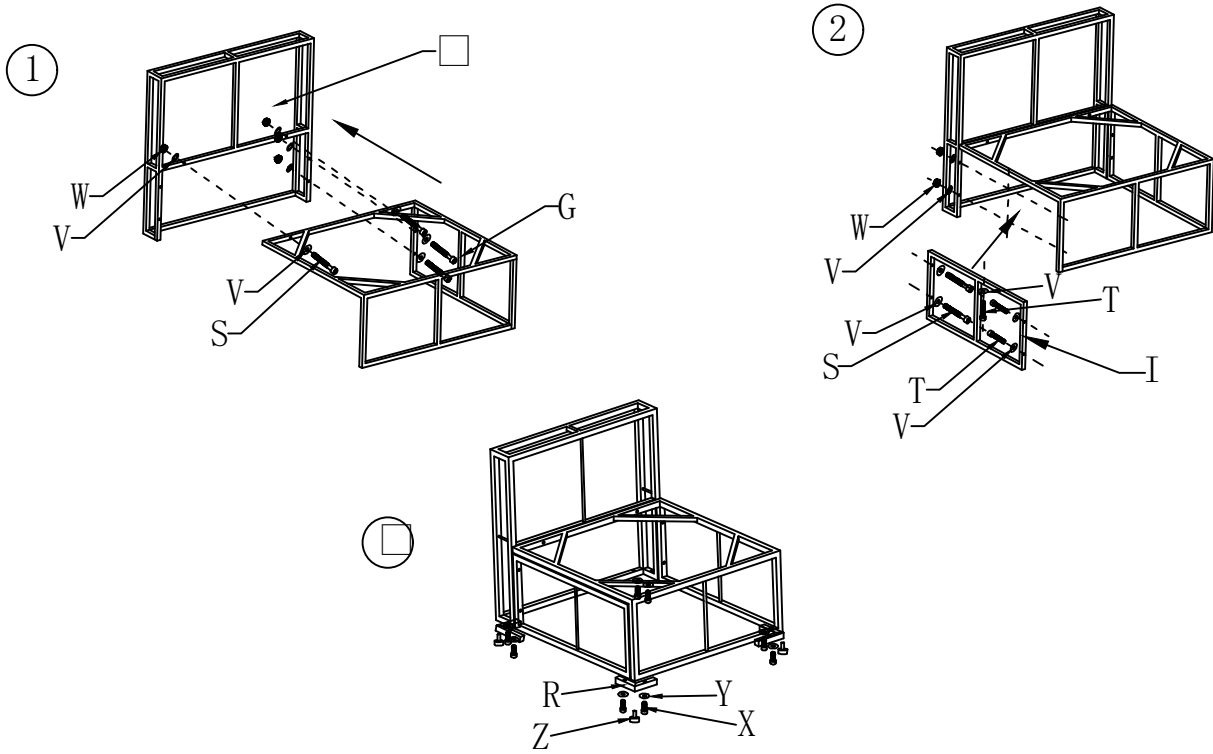
1. Please check the carton and Packing materials before disposing, to ensure that you have all the parts for this products
2. Do not tighten all screws completely until assemble is completed

 <p>E: Middle sofa back 2pcs</p>	 <p>G: Left middle sofa seat 1pc</p>	 <p>H: Right middle sofa seat 1pc</p>	 <p>I: middle sofa side part 2pcs</p>
 <p>R: sofa foot 8pcs</p>	 <p>S: Screw M6*50mm 12pcs</p>	 <p>T: Screw M6*35mm 6pcs</p>	 <p>V: Shim $\varnothing 16 \times 6.4 \times 1$ 30pcs</p>

1

 <p>W: Nut M6 12pcs</p>	 <p>X: Screw M6*25mm 16pcs</p>	 <p>Y: Shim $\varnothing 11 \times 6.2 \times 1$ 16pcs</p>	 <p>Z: Adjustable Screw 8pcs</p>
 <p>Inner hexagon spanner 1pc</p>	 <p>Open spanner 1pc</p>	 <p>Plastic parts 4pcs</p>	 <p>Back cotton (big) 2pcs</p>
 <p>Back cotton (small) 2pcs</p>	 <p>Seat cotton (lounger) 2pcs</p>		

Left middle sofa



Right middle sofa

