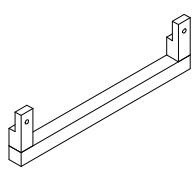
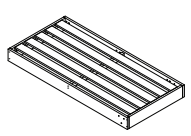
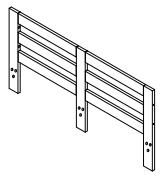



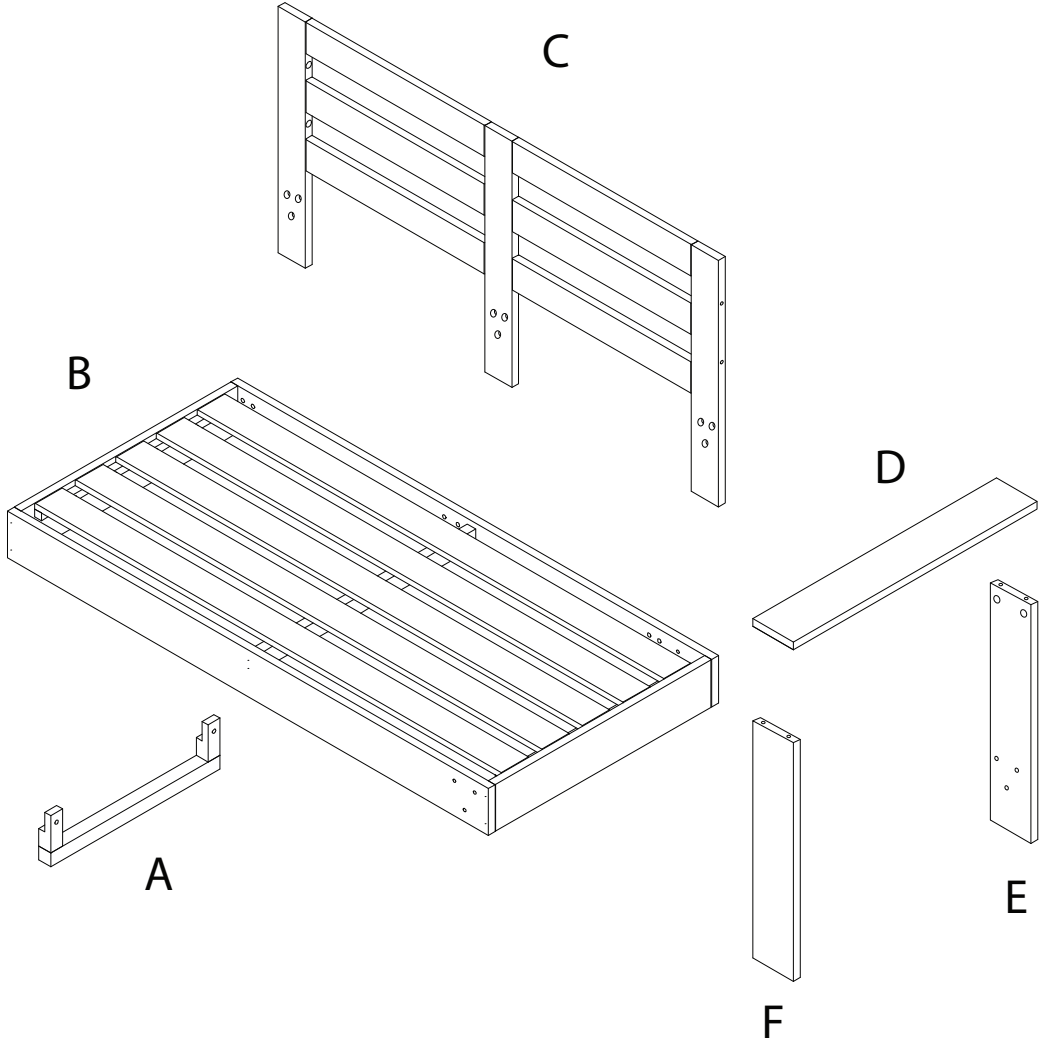


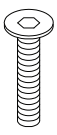
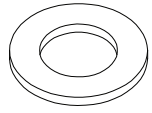
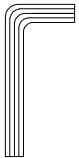
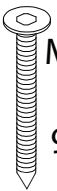
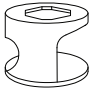
Diagram illustrating assembly instructions and safety warnings:

- Warning 1:** A warning triangle with an exclamation mark is shown next to a circular icon containing an L-shaped metal bracket and a crossed-out power drill, indicating that a power drill should not be used for this step.
- Warning 2:** A second warning triangle with an exclamation mark is shown next to a circular icon containing a rectangular block being placed on a surface and a crossed-out diagram of the block being placed on a surface with a screw, indicating that screws should not be used to secure the block.
- Time:** A clock icon is shown next to the text "90'", indicating that the assembly process should take approximately 90 minutes.
- Personnel:** An icon of a person is shown next to the number "2", indicating that two people are required for assembly.

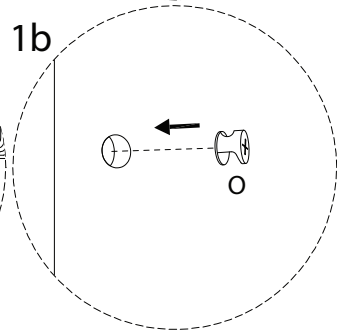
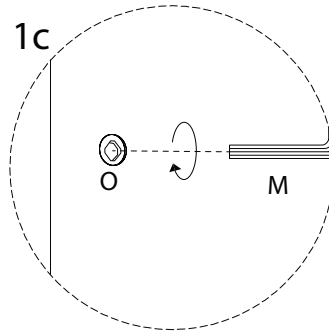
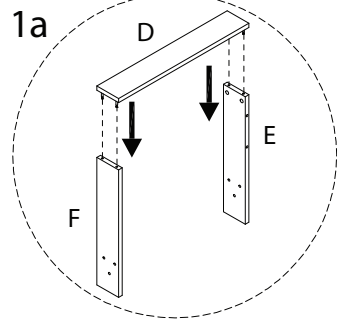
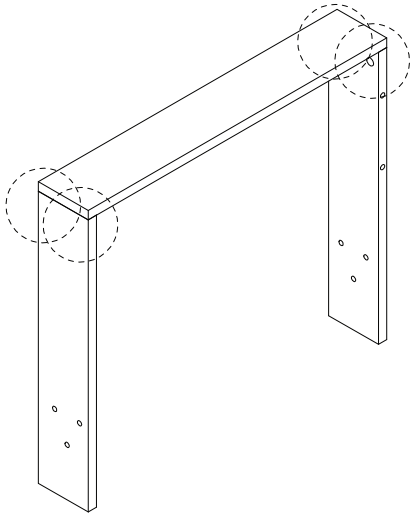
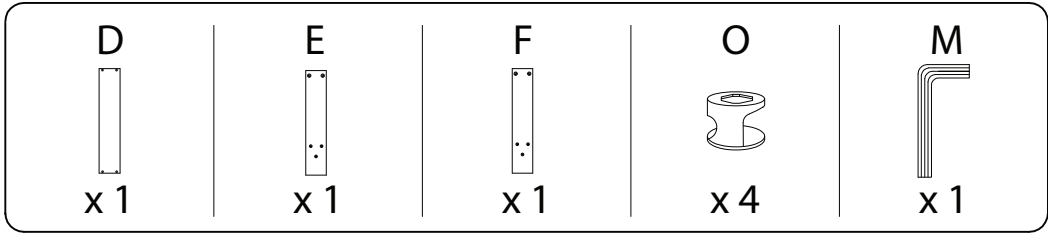
A

A	B	C	D	E	F
					
x 1	x 1	x 1	x 1	x 1	x 1

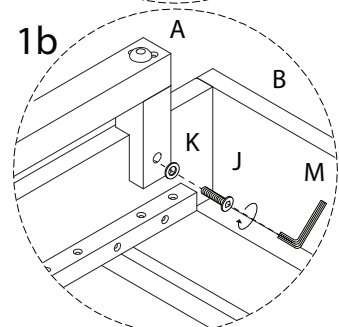
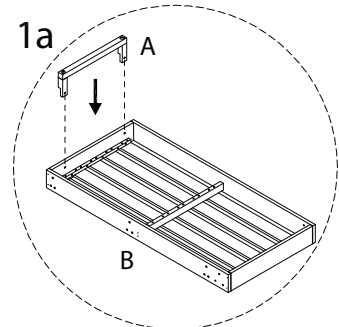
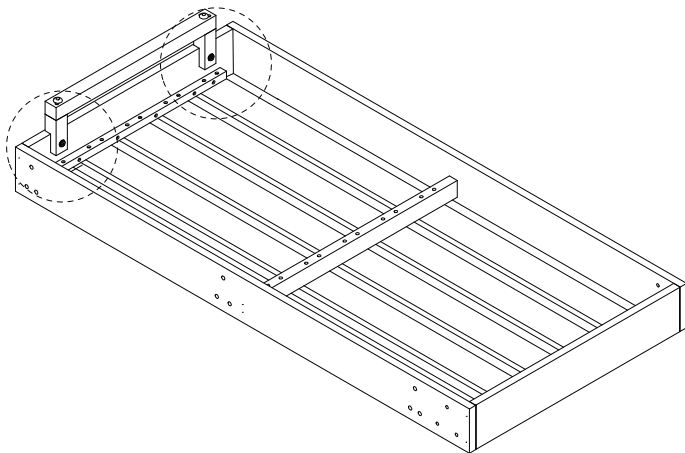
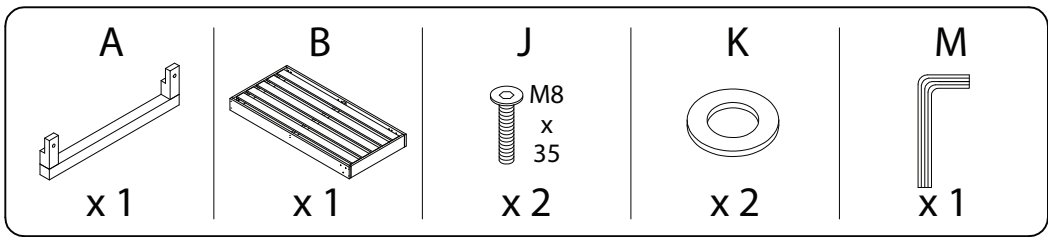


J	K	M	N	O
 M8 x 35			 M7 x 90	
x 17	x 17	x 2	x 2	x 4

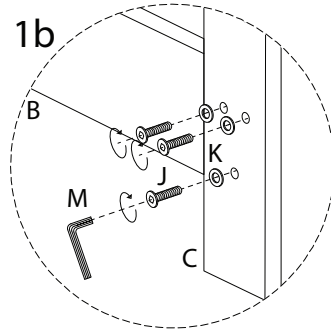
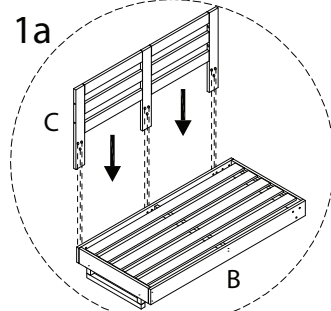
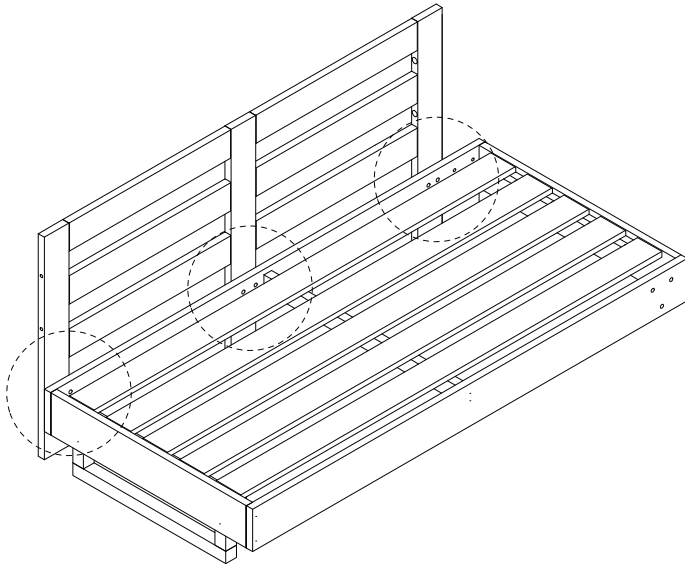
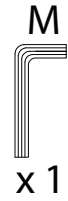
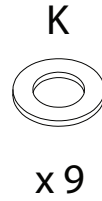
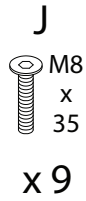
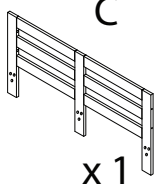
1



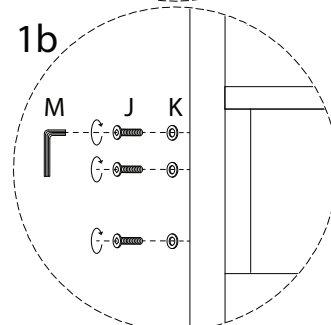
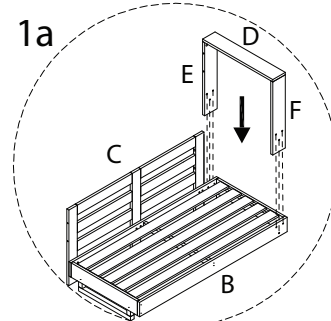
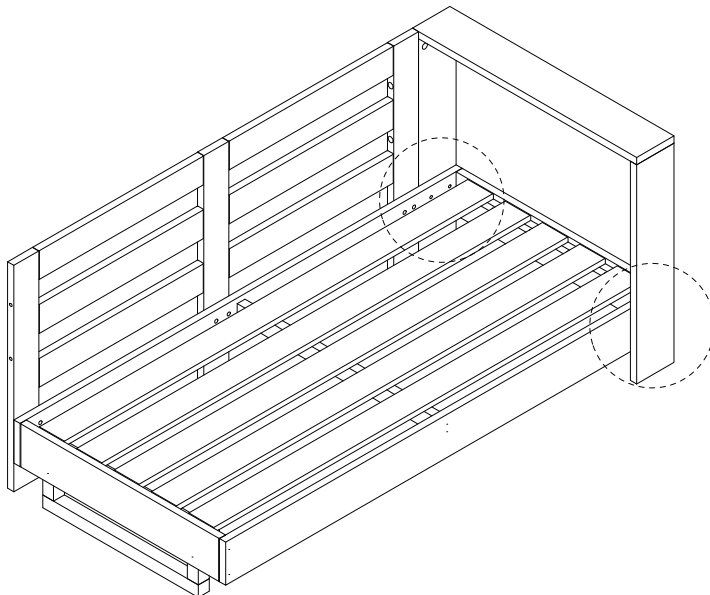
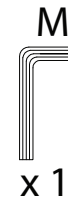
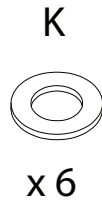
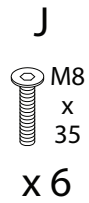
2



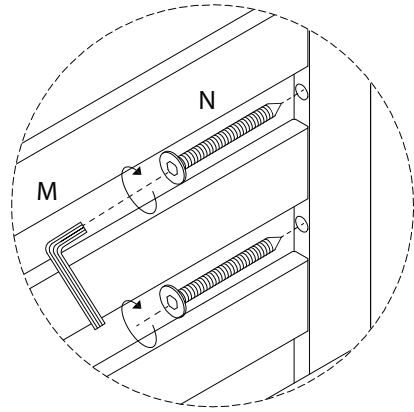
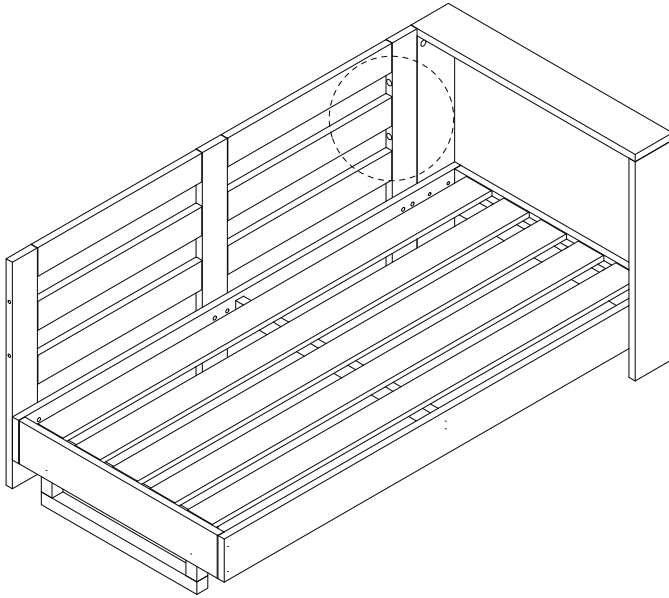
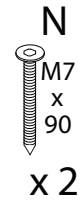
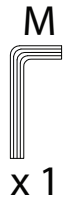
3



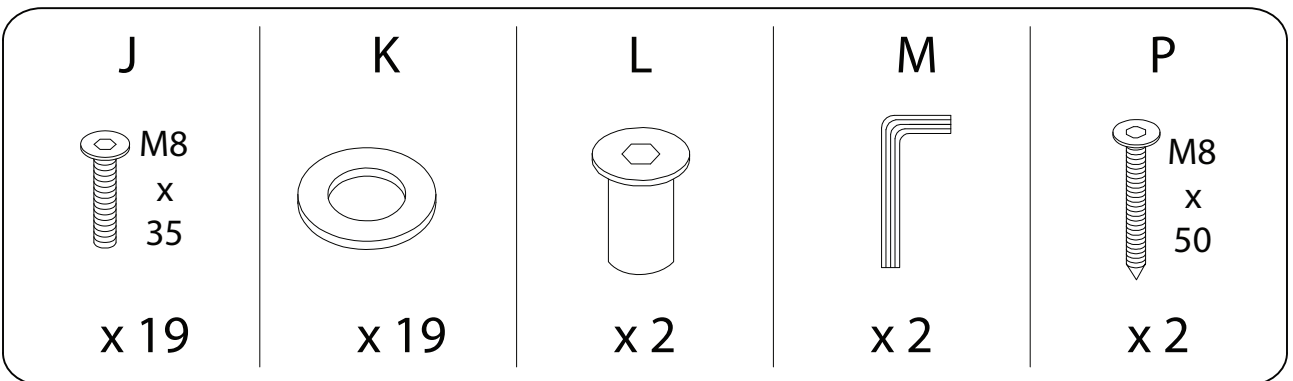
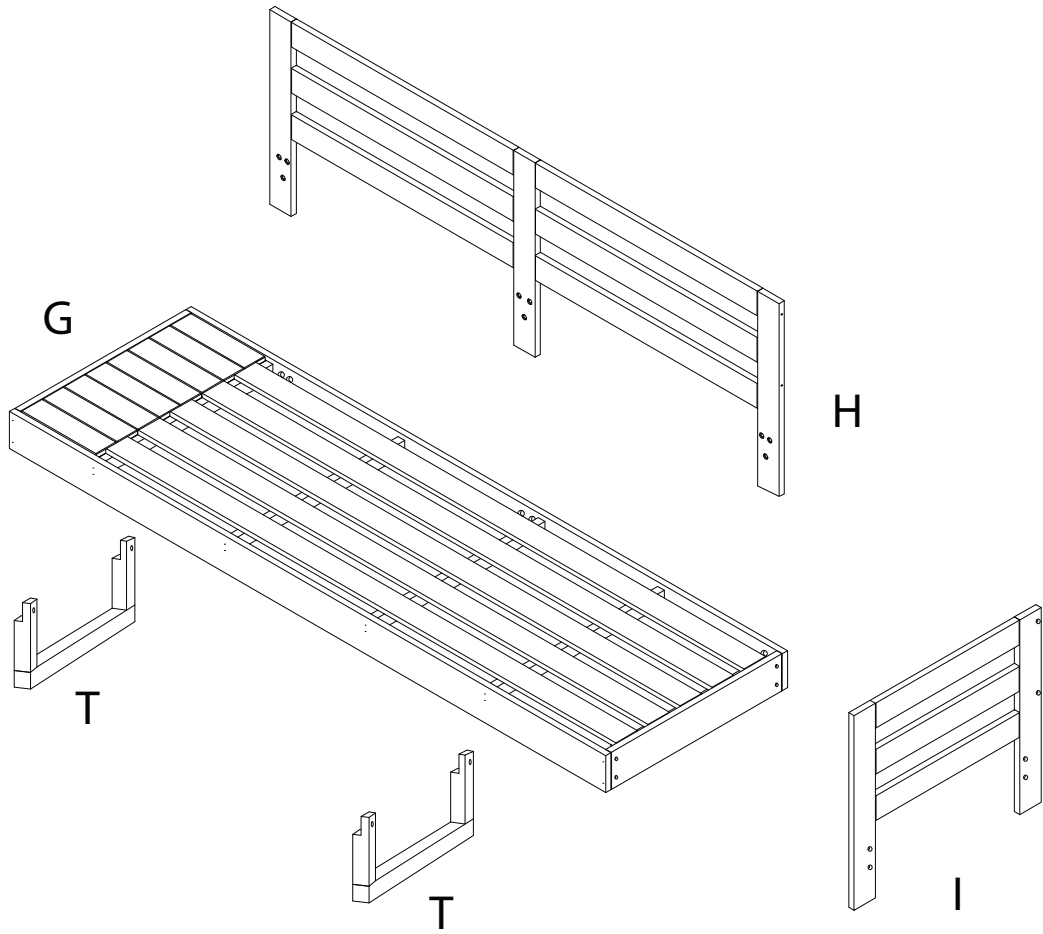
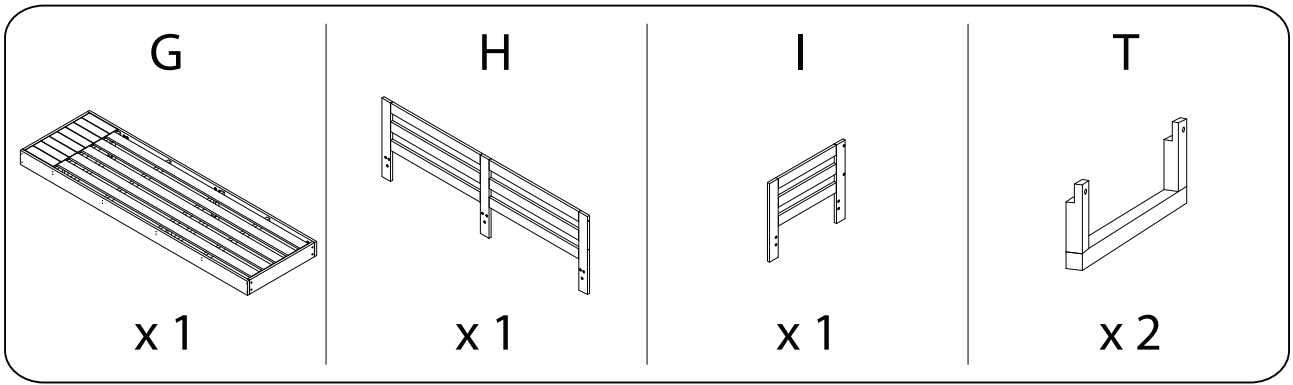
4



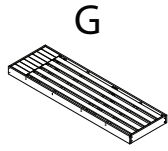
5



B



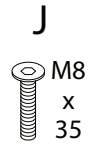
1



x 1

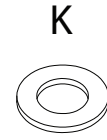


x 2



M8
x
35

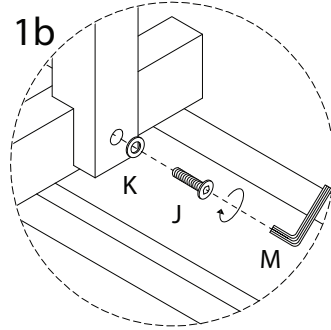
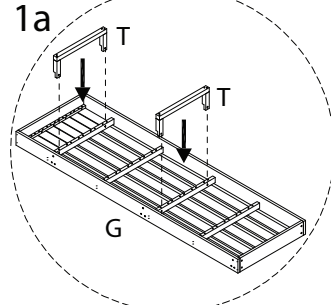
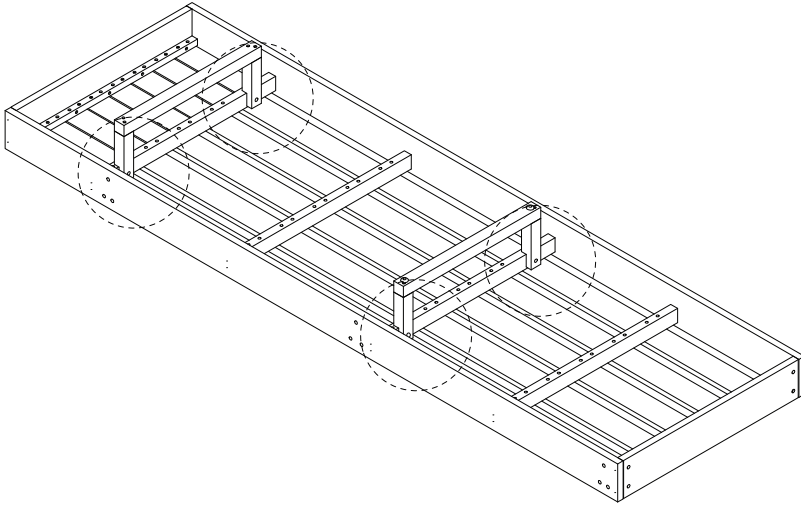
x 4



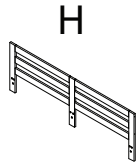
x 4



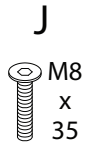
x 1



2



x 1



M8
x
35

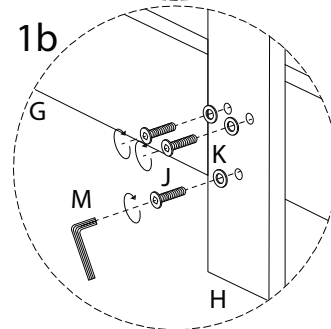
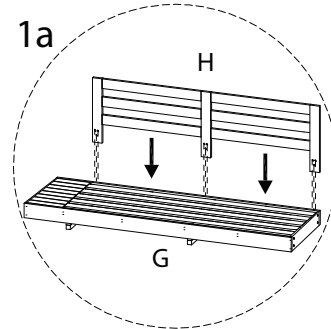
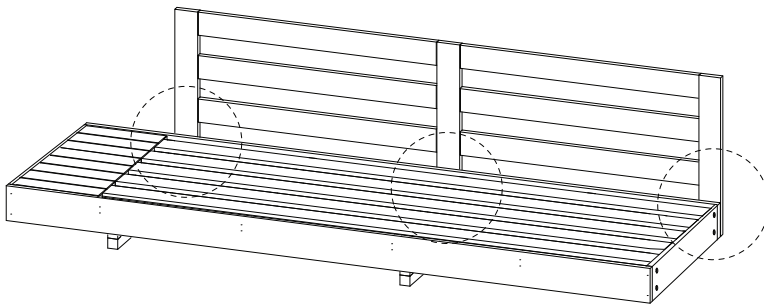
x 9



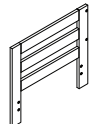
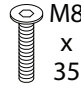
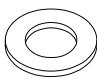
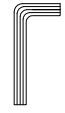
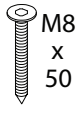
x 9

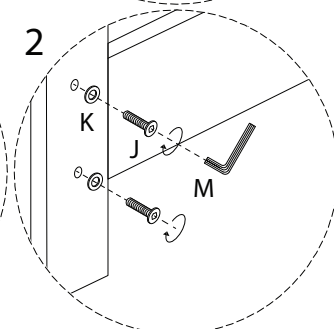
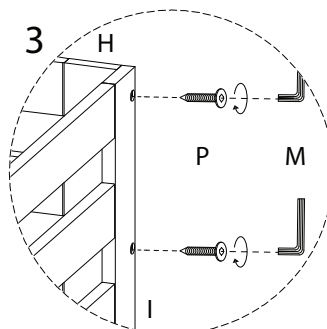
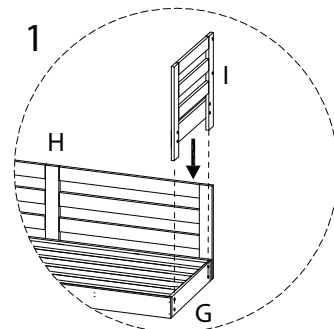
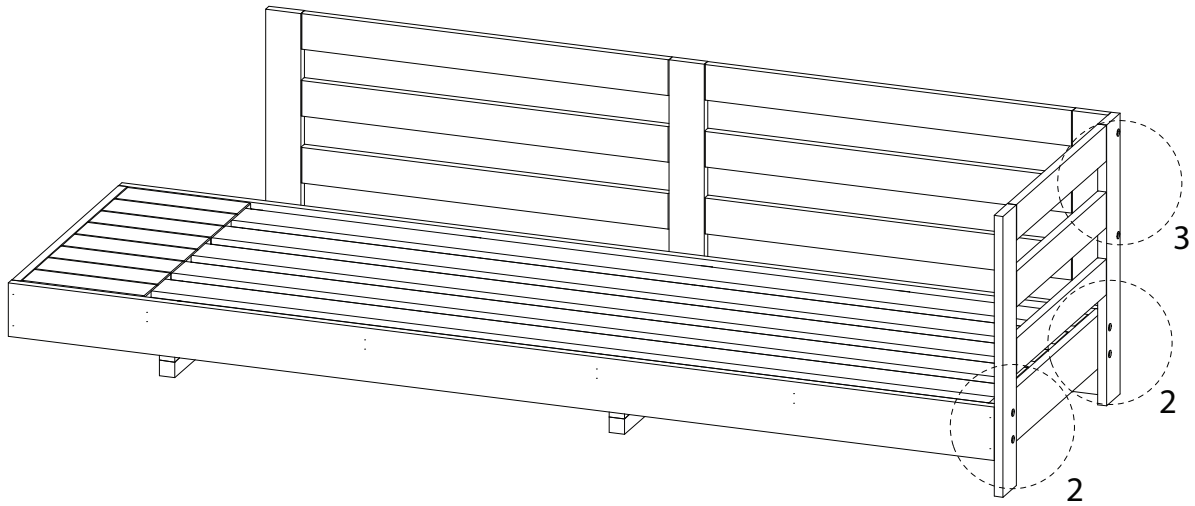


x 1



3

 I x 1	 J M8 x 35 x 4	 K x 4	 M x 2	 P M8 x 50 x 2
---	--	---	---	--



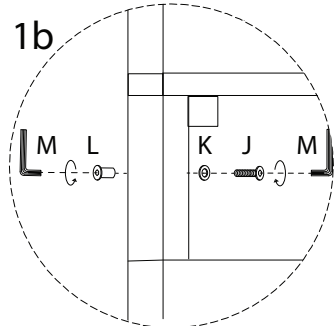
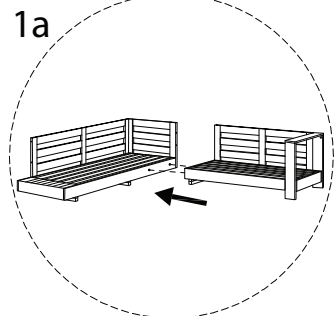
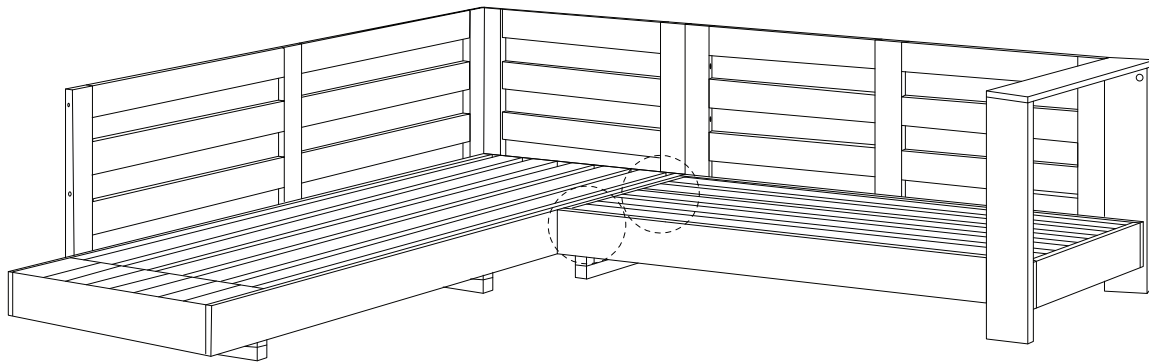
4

J
M8
x
35
x 2

K
x 2

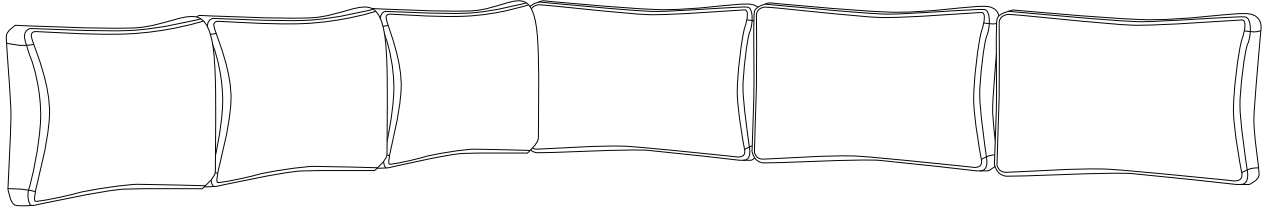
L
x 2

M
x 2

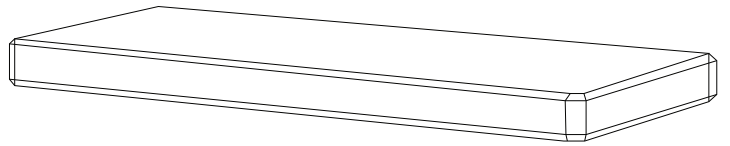


C

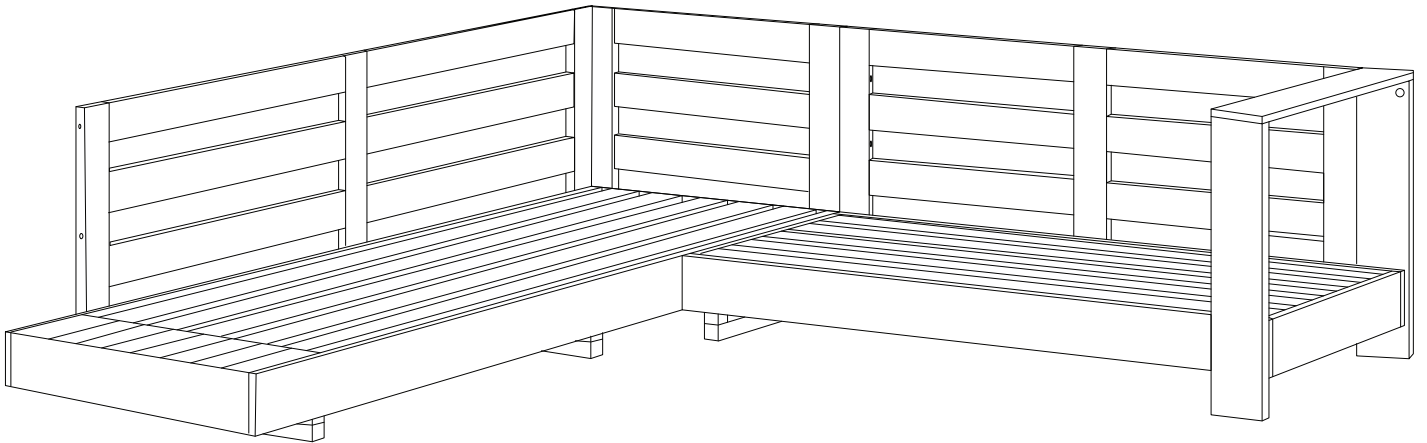
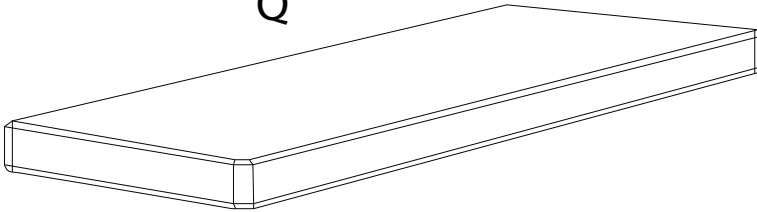
S x 6



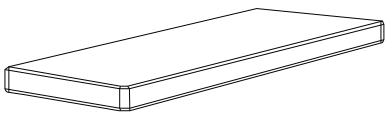
R



Q



Q



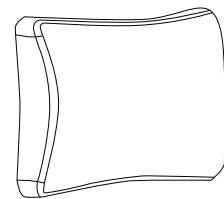
x 1

R



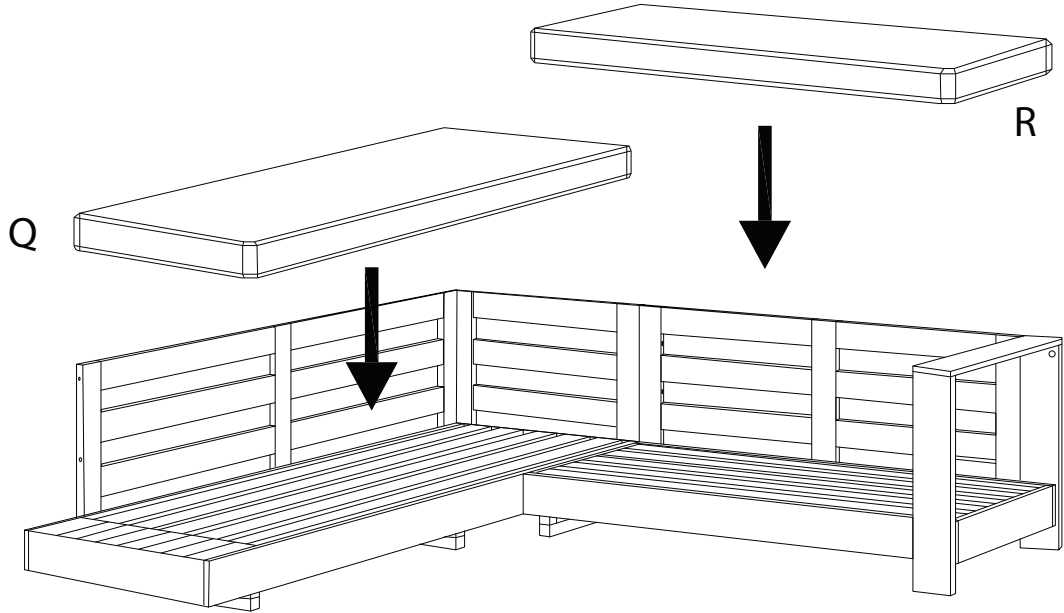
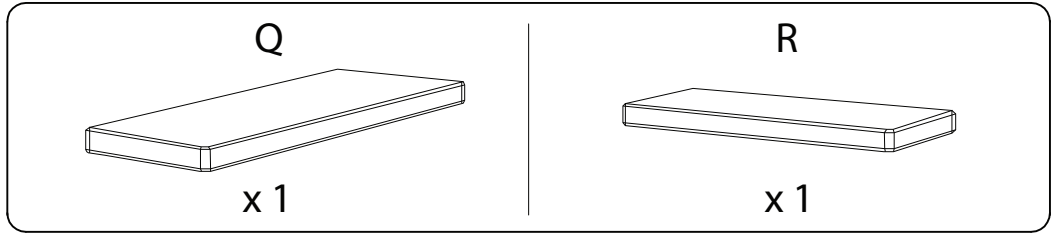
x 1

S



x 6

1



2

