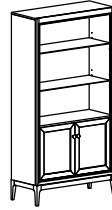


# ASSEMBLY INSTRUCTIONS



## TOOLS REQUIRED:

Allen Wrench (Provided, Part D)  
Phillips Screwdriver (Not provided)

## BEFORE YOU START:

1. Check the hardware against the hardware list to make sure all items are present.
2. Assemble your furniture on a soft, flat surface to avoid scratching the finish.
3. **CAUTION:** Do not over tighten screws, nuts or bolts during assembly.
4. Your furniture may require occasional tightening.

## INSTRUCTIONS:

1. Turn the Cabinet top on to a clean soft surface.
2. Attach the legs to the Cabinet using Bolt (A), Lock Washer (B), Flat Washer (C) and Allen Wrench (D). As Shown in Figure 1.
3. Attach the shelf pins to the side panels before installing glass shelves. As Shown in Figure 2.
4. Open the doors and attach the hardware with screws. As shown in Figure 3.
5. Tighten all bolts before setting cabinet back upright.

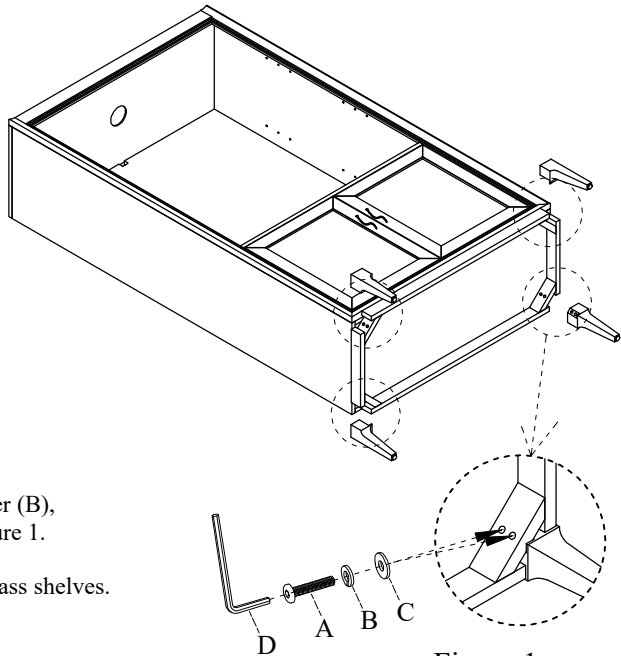


Figure 1

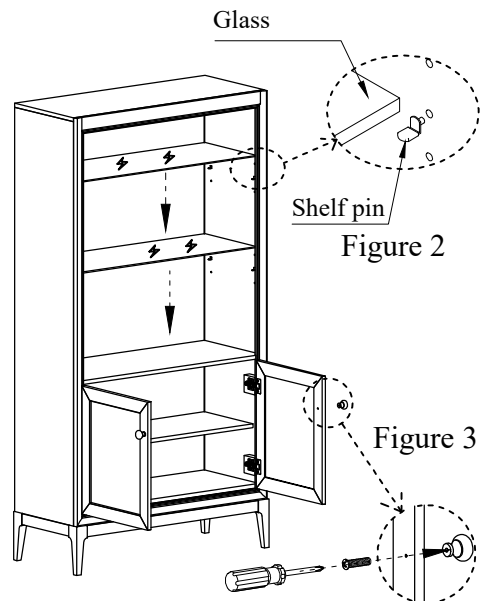


Figure 2

Figure 3

HARDWARE LIST			
A		Bolt (Ø5/16"*2-1/4")	8pcs
B		Lock Washer (Ø5/16")	8pcs
C		Flat Washer (Ø5/16"*3/4")	8pcs
D		Allen Wrench (4mm)	1pc
E		Shelf Pins	8pcs