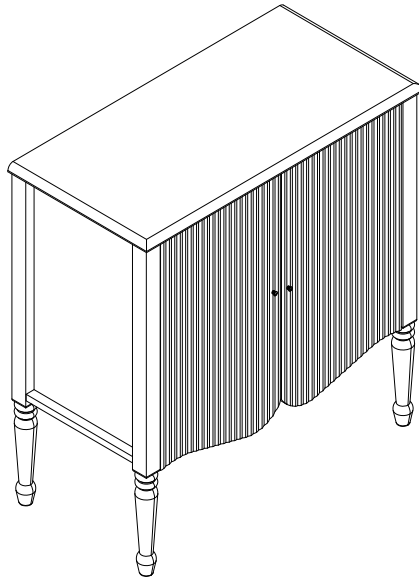


# OWNER MANUAL



Per Seat Weight Limitation

**100 LBS**

---

Thank You For Choosing Our Furniture

▾ If you have any questions or concerns,  
don't hesitate to reach out to us. ▴

**NOTE:**






This brochure contains  
**IMPORTANT** safety info.  
Please read and keep it  
for future reference.

# MAINTENANCE AND WARNINGS



## Before You Start

### *Please follow the steps below:*

-  Check the packaging for any damage, deformation, or water stains. If there is significant damage, please contact us promptly.
-  Open the packaging and confirm that the panels, hardware, screws, etc are complete.
-  Please read the installation instructions carefully to understand the installation steps and precautions to ensure proper installation.
-  Clean the installation area in advance and ensure the ground is level and there is enough space to avoid damaging the furniture or making installation difficult.
-  Lay a protective mat on the ground to prevent scratching the floor during installation.

### ***After-Sales Service***

- If you encounter any issues or need technical support during use, please contact our after-sales team. We offer long-term maintenance and warranty services.



## Precautions

- ⚠ This product for indoor use only. Do not expose it to outdoor elements or high-humidity environments.
- ⚠ Keep the product away from high heat or open flames to prevent fire hazards.
- ⚠ Do not allow children to climb on the product to prevent personal injury caused by tipping



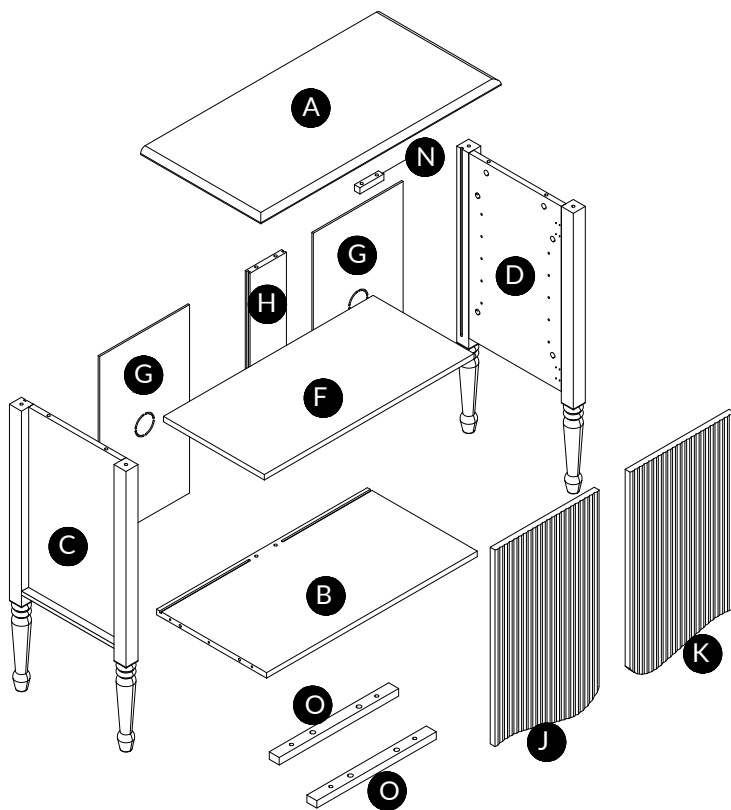
## Safety Warnings

- ⚠ If you notice any loose or damaged parts, stop using the product immediately and contact customer service.
- ⚠ Do not attempt to disassemble or replace any components yourself, as this may affect the stability and safety of the product.

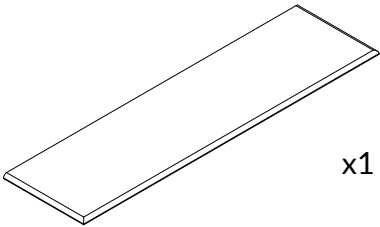
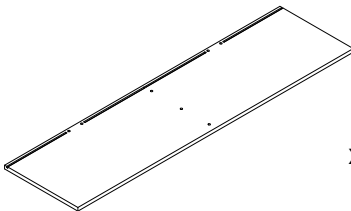
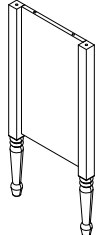
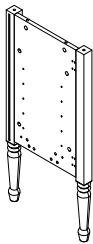
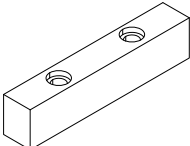
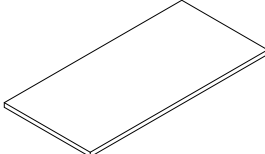
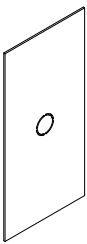

### ***Daily Maintenance***

- Regularly clean the surface of the sofa with a soft cloth to prevent dust accumulation.  
  
Do not use cleaning agents containing acids, alkalis, or corrosive substances, as they may damage the surface. It is recommended to use neutral cleaning agents or specialized furniture cleaners
- Avoid exposing furniture to humid environments for extended periods to prevent swelling or deformation of the boards. Use a dehumidifier or desiccant during humid weather.
- Avoid direct contact of furniture with water. If water is accidentally spilled, wipe it dry immediately.
- Avoid placing excessively heavy objects on the furniture: ensure the weight is within a reasonable load-bearing range.
- Avoid using sharp or rough items on the furniture surface to prevent scratches. Handle items gently when moving them

***Explosive view***



# Parts list

<p><b>A</b></p>  <p>x1</p>	<p><b>B</b></p>  <p>x1</p>
<p><b>C</b></p>  <p>x1</p>	<p><b>D</b></p>  <p>x1</p>
<p><b>N</b></p>  <p>x1</p>	<p><b>F</b></p>  <p>x1</p>
<p><b>G</b></p>  <p>x2</p>	<p><b>H</b></p>  <p>x1</p>



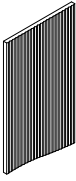
Installation:  
15minutes.



Two Person

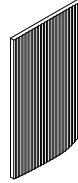
# Parts list

J



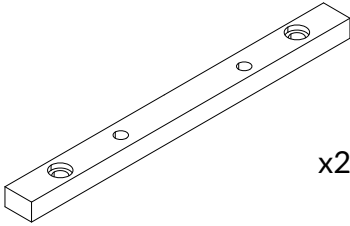
x1

K



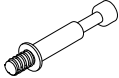

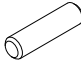

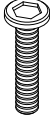
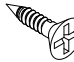

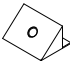

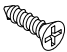
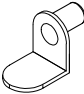
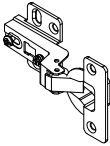
x1

G



x2

# Hardware List

<p>1</p>  <p><b>12+1</b></p>	<p>2</p>  <p><b>x12+1</b></p> <p>D15x12mm</p>	<p>3</p>  <p><b>x8</b></p> <p>D8x30mm</p>
<p>4</p>  <p><b>x2</b></p> <p>D7x40mm</p>	<p>5</p>  <p><b>x6</b></p> <p>D6x25mm</p>	<p>6</p>  <p><b>x12+1</b></p> <p>D3.5x14mm</p>
<p>7</p>  <p><b>x2</b></p> <p>D4x22mm</p>	<p>8</p>  <p><b>x8+1</b></p>	<p>9</p>  <p><b>x12+1</b></p>
<p>10</p>  <p><b>x24+3</b></p> <p>D4x14mm</p>	<p>11</p>  <p><b>x4</b></p>	<p>12</p>  <p><b>x4</b></p> <p>Large Bend</p>

## Hardware List

14



15

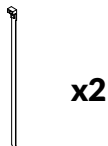


D4x30mm

16



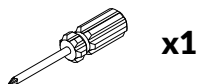
17



18



19



20

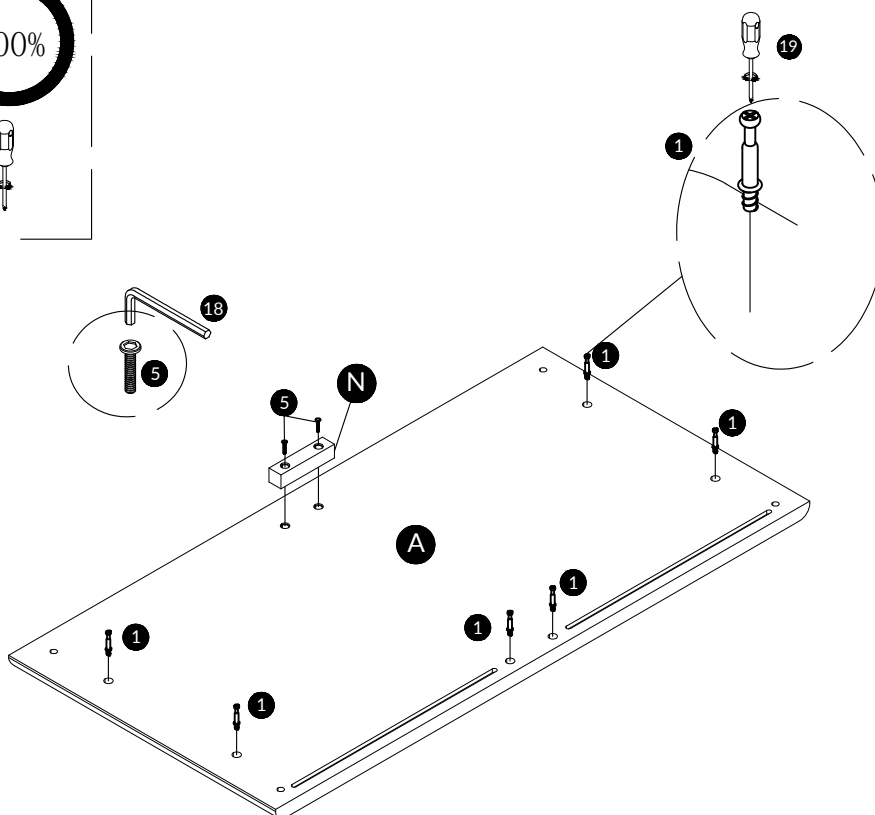
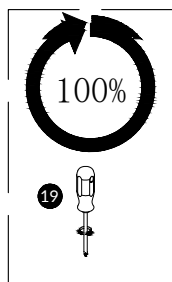



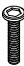
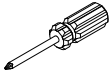
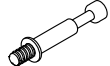
D8x20mm

## Step 1

Prepare for part A

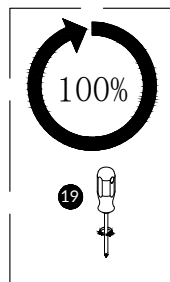
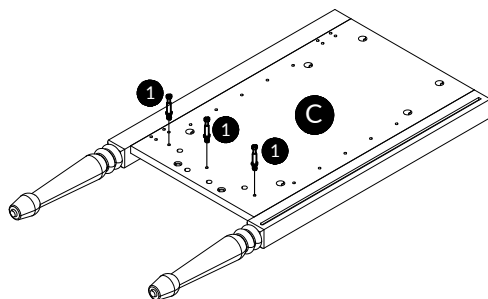
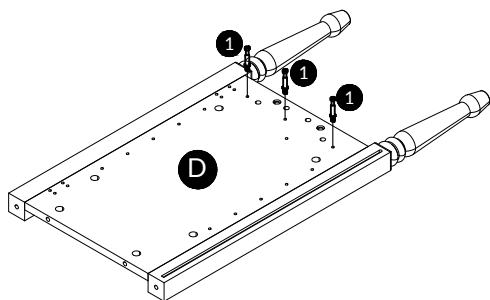
1. Tighten the bolt #1 into the corresponding hole of A as picture show
2. Connect the part N with part A, use bolt #5 to attach part N to part A with Allen key #18

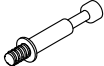
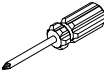


18	x1	5	x2	19	x1	1	x6
							
		M6x25mm				M6x35mm	

## Step 2

Tighten the bolt #1 into the corresponding hole of part C&D as picture show

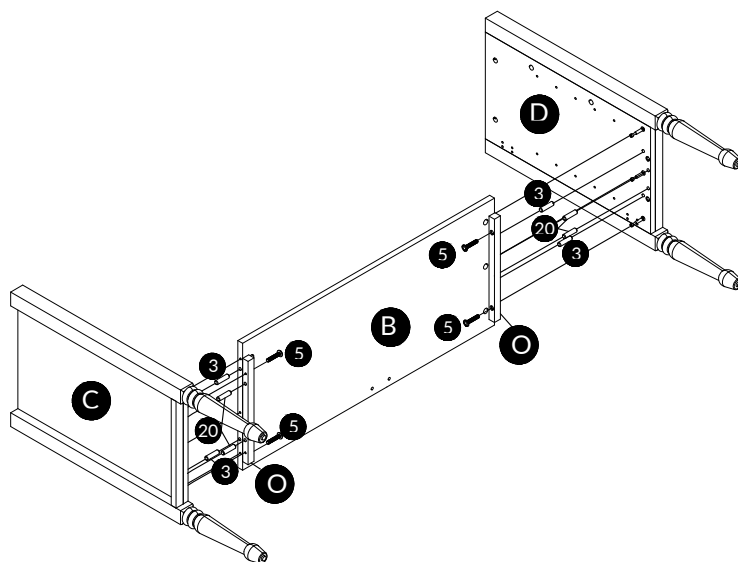






<b>1</b>	x6	<b>19</b>	x1
			
M6x35mm			

### Step 3

1. Align the holes in part C&D, insert wooden dowel #3(longer) by hand to connect B&C, B&D. insert wooden dowel #20(shorter) by hand to connect O&C, O&D.

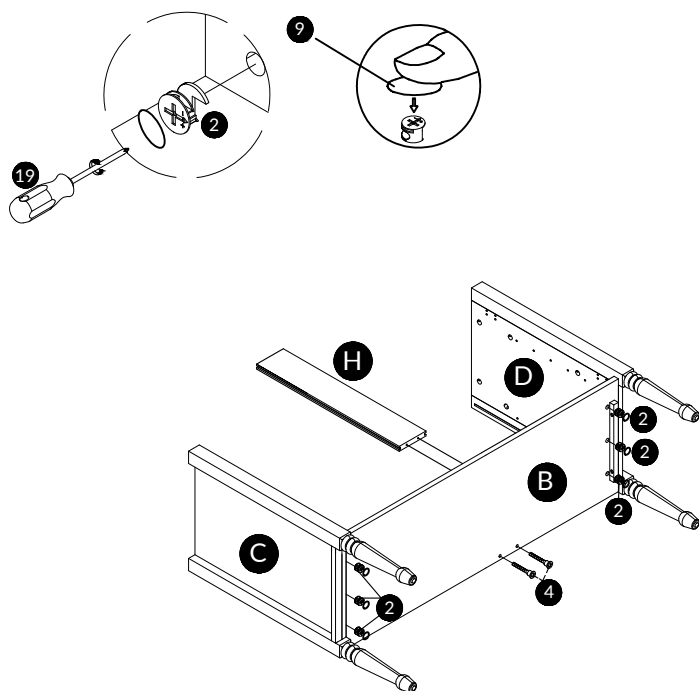
2. Use bolt #5 to attach O&C, O&D with allen key #18



20	x4	18	x1	3	x4	5	x4
							
D8x20mm				D8x30mm		D6x25mm	

## Step 4

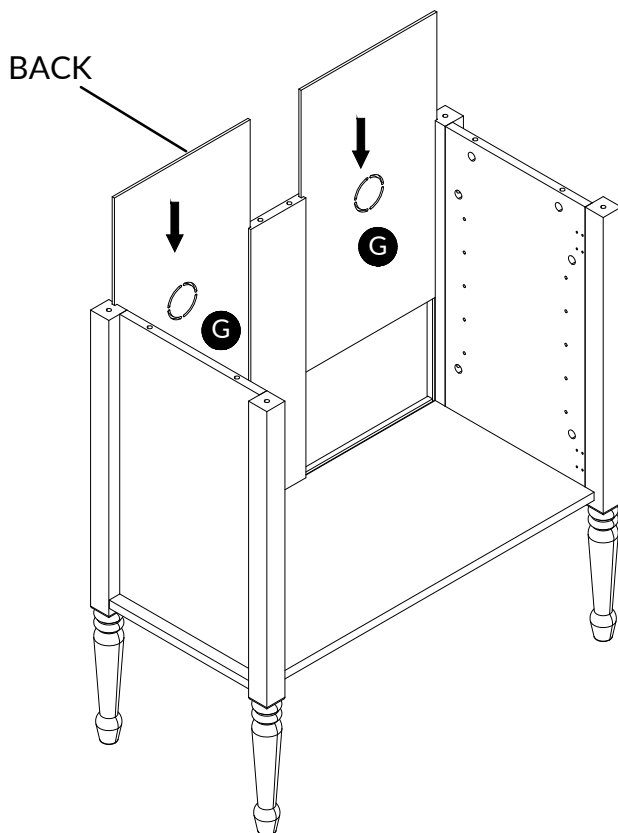
1. Insert cam bolt #2 into the corresponding hole of panel B. Tighten the cam bolt #2 with screwdriver #19 then cover the cam lock #2 with sticker #9
2. Connect the part H with part B. Use bolt #4 to attach H, tighten with Allen key #18



18	x1	4	x2	2	x6	9	x6	19	x1
		D7x40mm		D15x12mm					

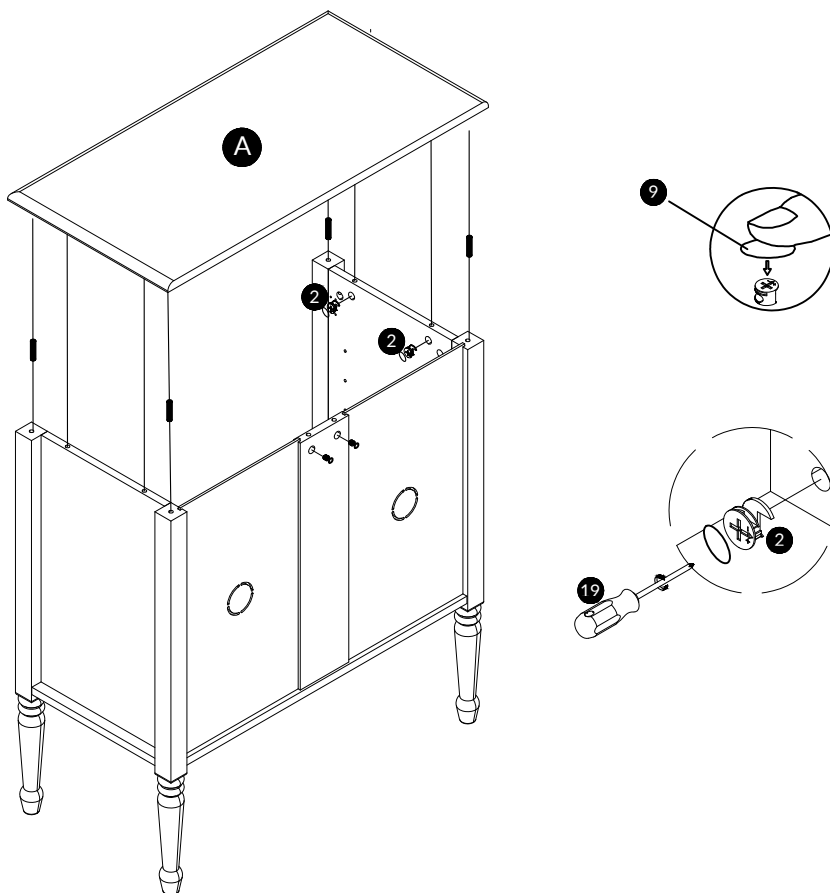
## Step 5

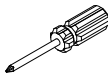
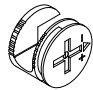


1. Slide in the part G into the groove in part C,H and H,D make sure they are also in groove
2. Please make sure that the panels which stick "BACK" are towards wall



## Step 6

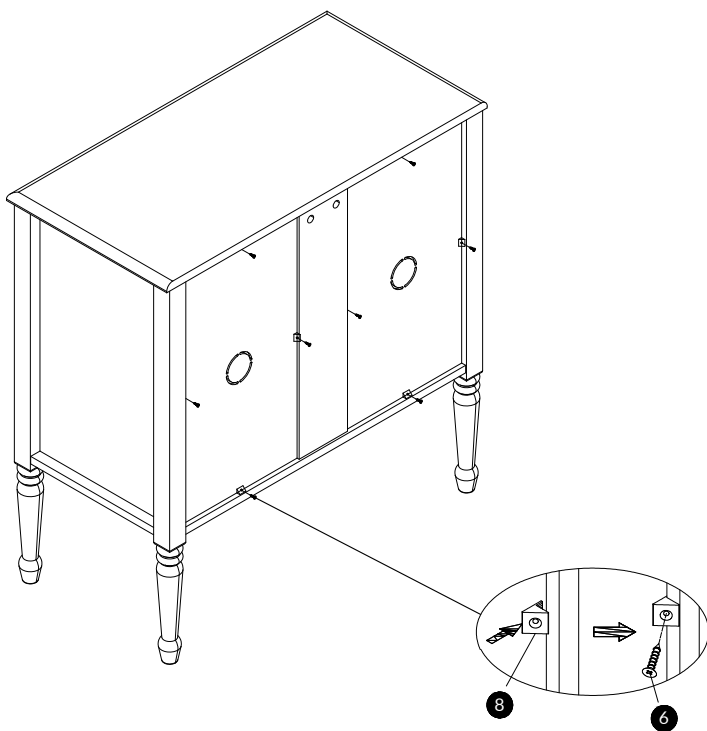
- 1.Align the holes in part C&D, insert wooden dowel #3 by hand
- 2.Connect the part C&D with part A,Insert cam bolt #2 into the corresponding hole of part C&D.tighten the cam bolt #2 with screwdriver#19,then cover the cam lock #2 with sticker #9


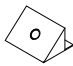
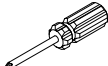


19	x1	2	x6	9	x6	3	x4
							
		D15x12mm				D8x30mm	

## Step 7

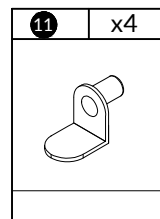
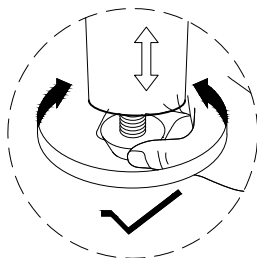
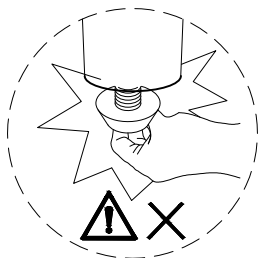
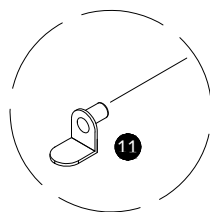
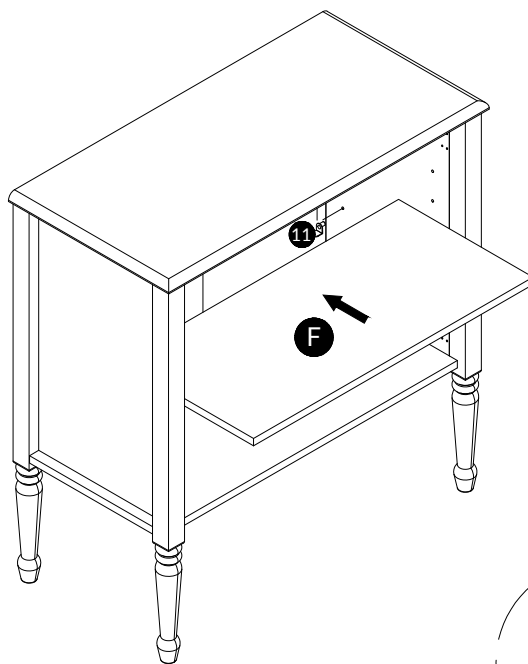
Insert hardware #8 into part G as shown, screw in screw #6 using screwdriver #19 and tighten fully.



6	x8	8	x8	19	x1
					
D3.5x14mm					

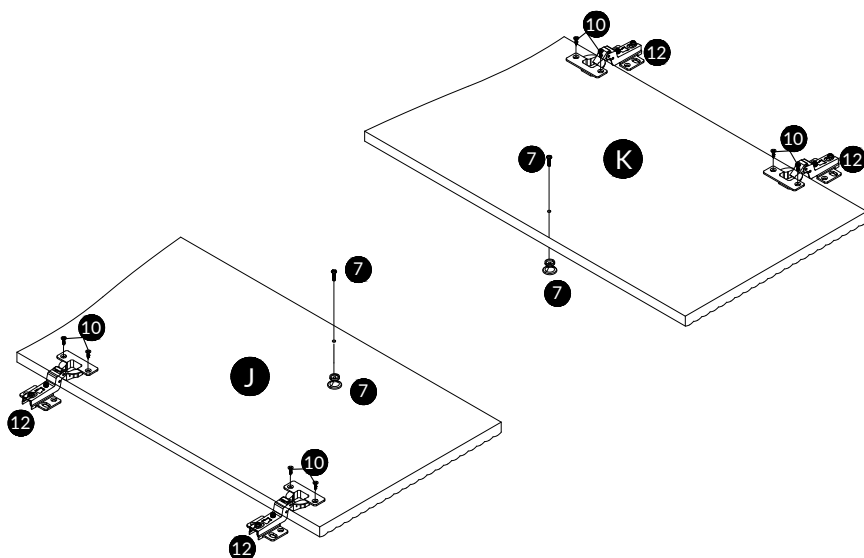
## Step 8

Insert shelf pin #11 into the holes attach adjustable shelf F to pin #11



## Step 9

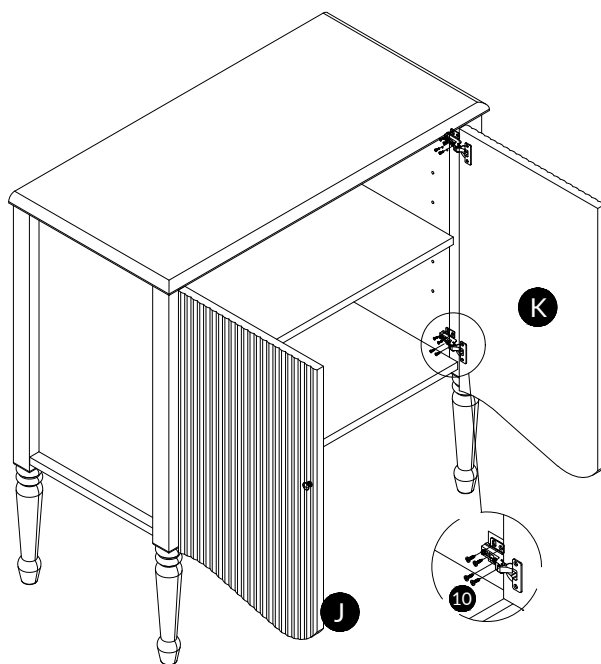
1. Use screw #10 to attach the hinges #12(Large Bend) to door panel (J&K), tighten screws #10 with screwdriver #19.
2. Use screw #7 to attach the handle #7 to door panel(J&K), tighten screws #7 with screwdriver #19.


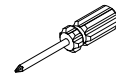


7	x2	10	x8	12	x4	19	x1
D4x22mm		D4x14mm		Large Bend			

## Step 10

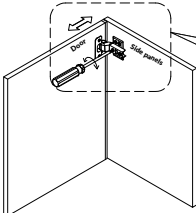
1. Use screw #10 to attach the door J to side panel C, tighten screws #10 with screwdriver#19.
2. Use screw #10 to attach the door K to side panel D, tighten screws #10 with screwdriver#19.



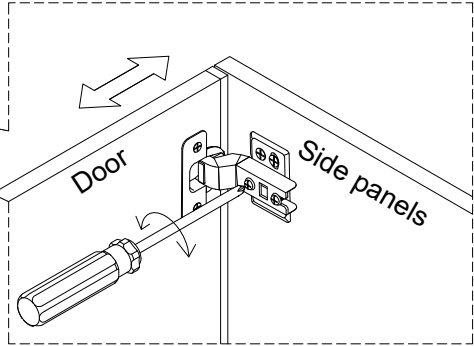
10	x16	19	x1
			
D4x14mm			

# Door Hinge Adjustment Instructions

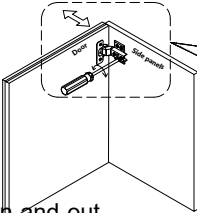
Concealed hinges are three-way adjustable:



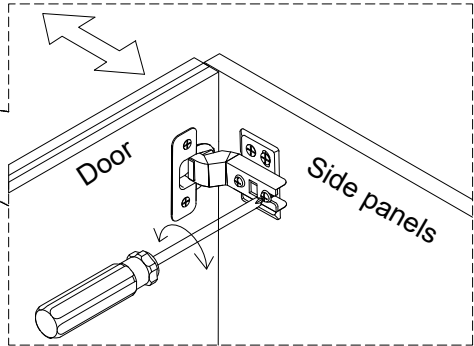
Horizontal  
by screw adjustment!



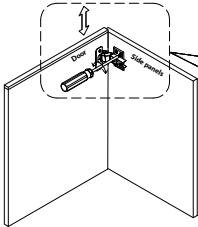
Concealed hinges are three-way adjustable:



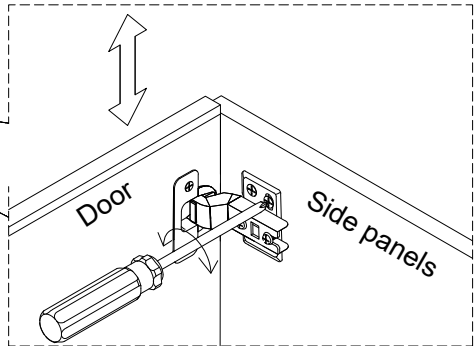
In-and-out  
by loosening the hinge arm  
mounting screw or via cam  
adjustment!



Concealed hinges are three-way adjustable:

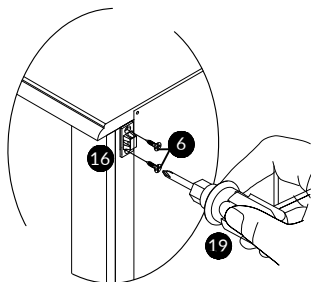
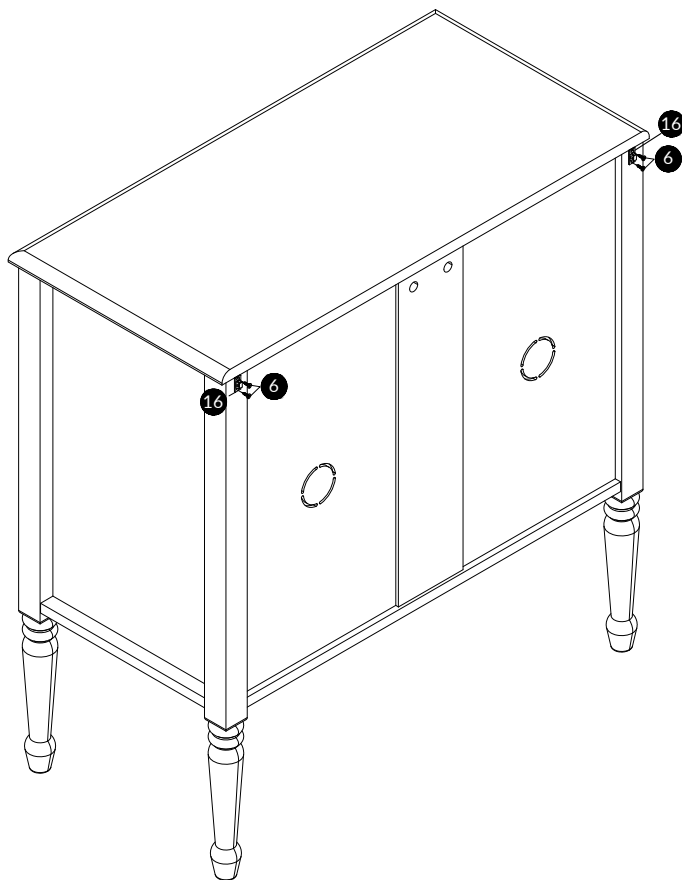



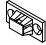
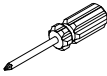
Vertical via slots in  
the mounting plate  
or via cam adjustment!



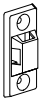


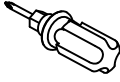
## Step 11

Use screws #6 to attach part #16 with screwdriver #19 as picture shown

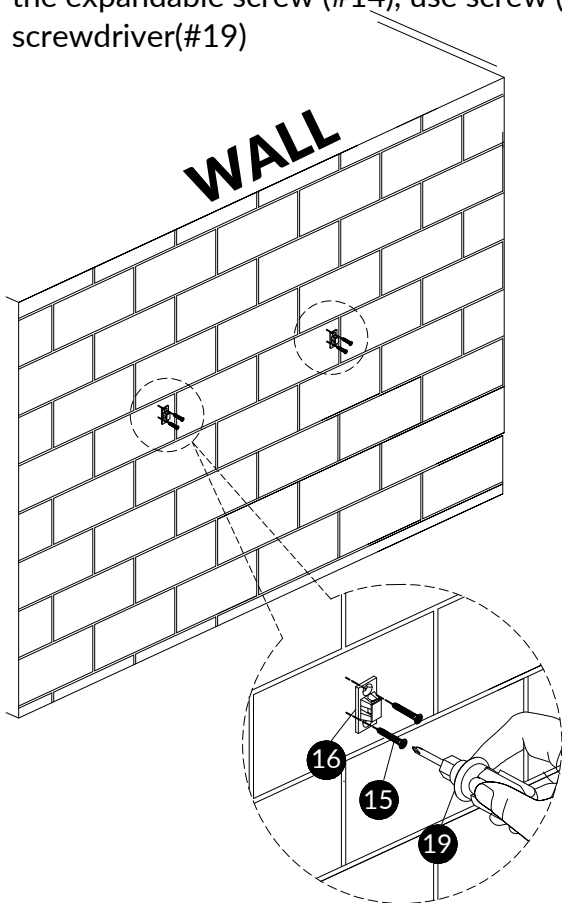


6	x4	16	x2	19	x1
					
D3.5x14mm					

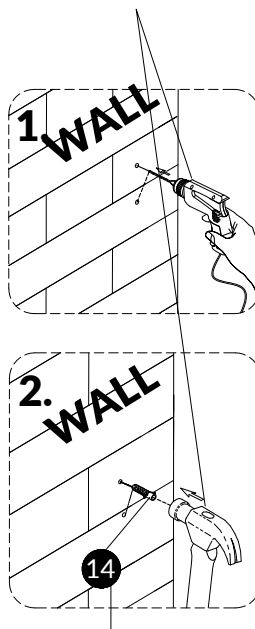
## Step 12

16	x2	15	x4	14	x4	19	x1
							
		D4x30mm					

1. Install the anti-collapse device.
2. Mark the position on the wall, that corresponds to the location of part (#16) on the Side panel (C&D); Drill and insert the expandable screw (#14) by hammer.
3. Assemble the part (#16) to the wall. Align the hole in the part (#16) with the expandable screw (#14), use screw (#15) to attach it and tighten by screwdriver (#19)

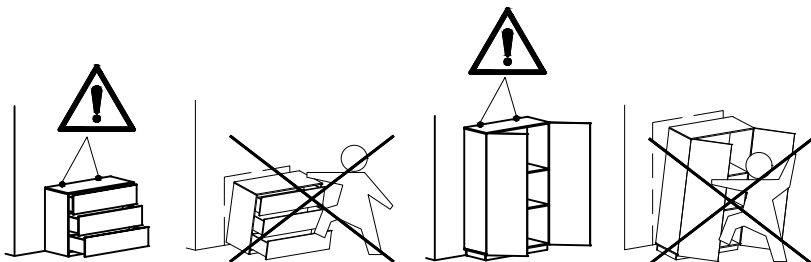
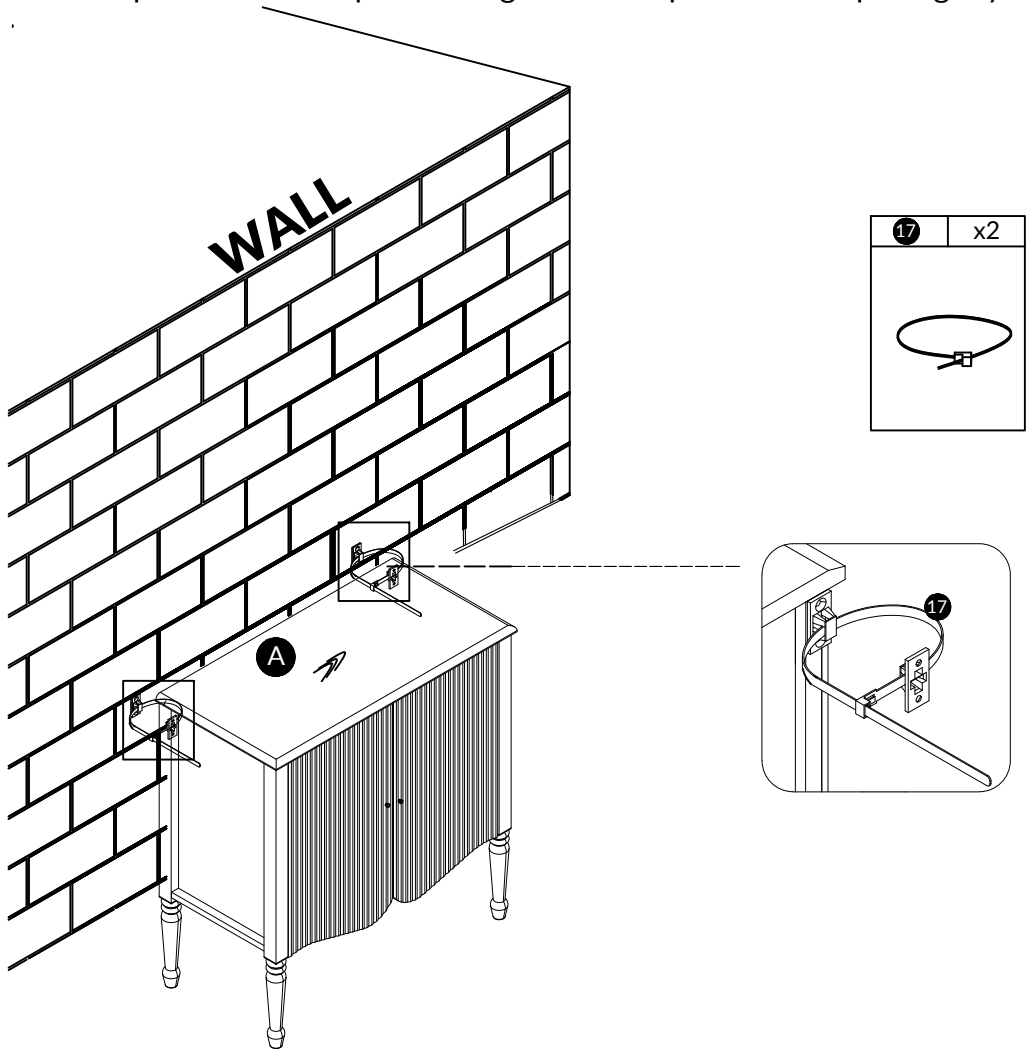


NOT PROVIDED



## Step 13

Let the plastic belt #17 pass through the both part #16 and pull tightly



# WARRANTY

- We strive to offer quality products, and we also try our best to satisfy every customer who orders from us with products or services as needed.
- We provide 30 days warranty starting from the time you receive the item. Each customer must provide a record of their orders such as the order number, or item receipt for any items that are out of the warranty period you may also still receive.
- Replacement parts by purchasing them from our company if they are available.
- For return, please check the return policy with the retailer or market place you bought from