

# *ASSEMBLY INSTRUCTIONS*



***Bar Unit***

# ASSEMBLY INSTRUCTIONS

## ASSEMBLY TIPS:

- 1.Remove hardware from box and sort by size.
- 2.Please check to see that all hardware and parts are present prior to start of assembly.
- 3.Please follow attached instructions in the same sequence as numbered to assure fast & easy assembly.

### Warning !!

1. Don't attempt to repair or modify parts that are broken or defective. Please contact the store immediately.
2. This product is for home use only and not intended for commercial establishment.

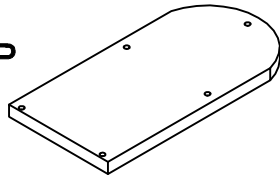


**ASSEMBLY TIME**

**30 MINUTES**

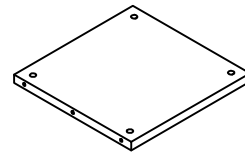
## PARTS IDENTIFICATION

(A) CABINET TOP



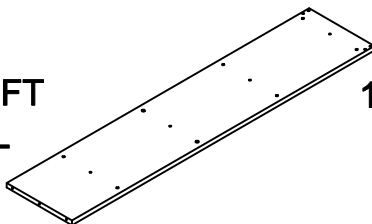
1 PC

(D) SHELF



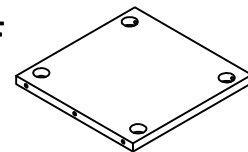
2 PCS

(B) LONG LEFT  
SIDE PANEL



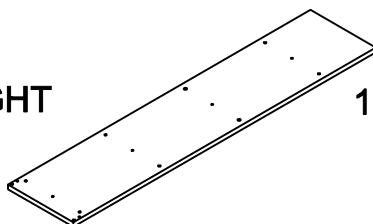
1 PC

(E) MIDDLE SHELF



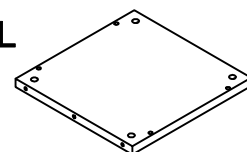
1 PC

(C) LONG RIGHT  
SIDE PANEL



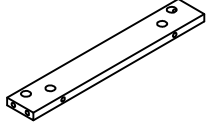
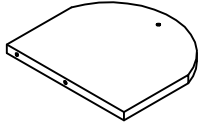
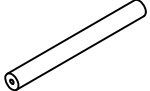
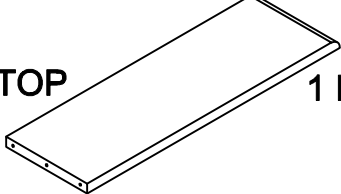
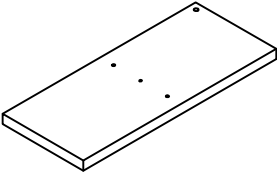
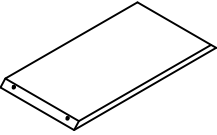
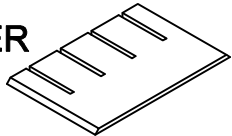
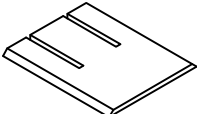
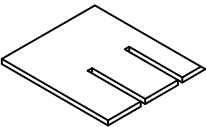
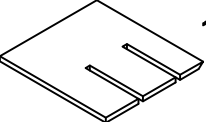
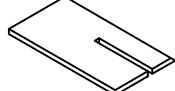
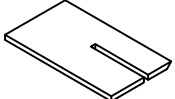

1 PC

(F) BOTTOM PANEL






1 PC

## PARTS IDENTIFICATION

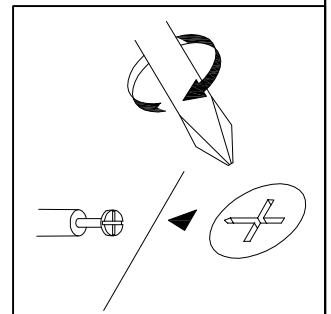
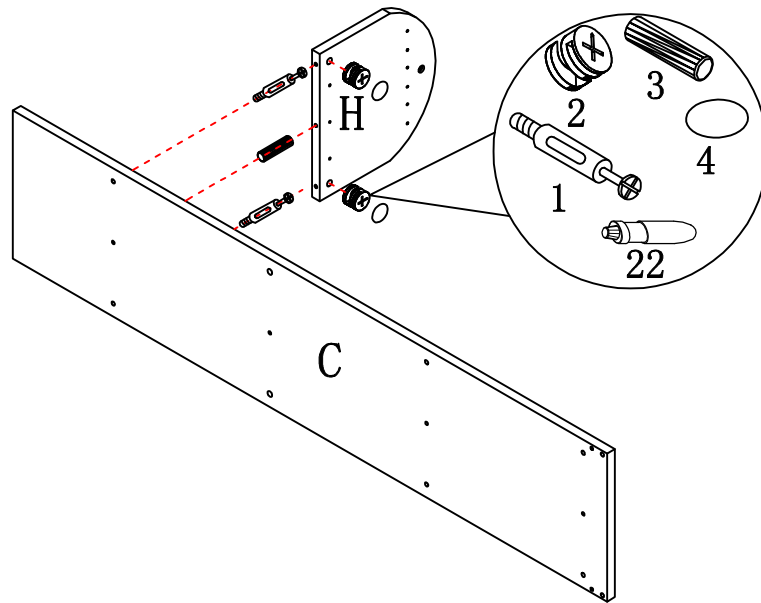
- |  |  |
|--|--|
| <p>(G) LEG CROSSBAR  2 PCS</p> <p>(H) LEFT SHELF  1 PC</p> <p>(I) COLUMN SUPPORT  1 PC</p> <p>(J) BAR TABLE TOP  1 PC</p> <p>(K) SHORT SIDE PANEL  1 PC</p> <p>(L) LEANING PANEL  1 PC</p> | <p>(M) BOTTLE HOLDER PANEL1  1 PC</p> <p>(N) BOTTLE HOLDER PANEL2  1 PC</p> <p>(O) BOTTLE HOLDER PANEL3  1 PC</p> <p>(P) BOTTLE HOLDER PANEL4  1 PC</p> <p>(Q) BOTTLE HOLDER PANEL5  1 PC</p> <p>(R) BOTTLE HOLDER PANEL6  1 PC</p> <p>(S) WINE RACK CROSSBAR  2 PCS</p> |
|--|--|

## HARDWARE IDENTIFICATION

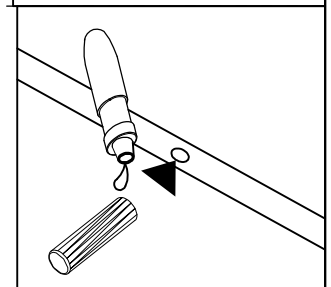
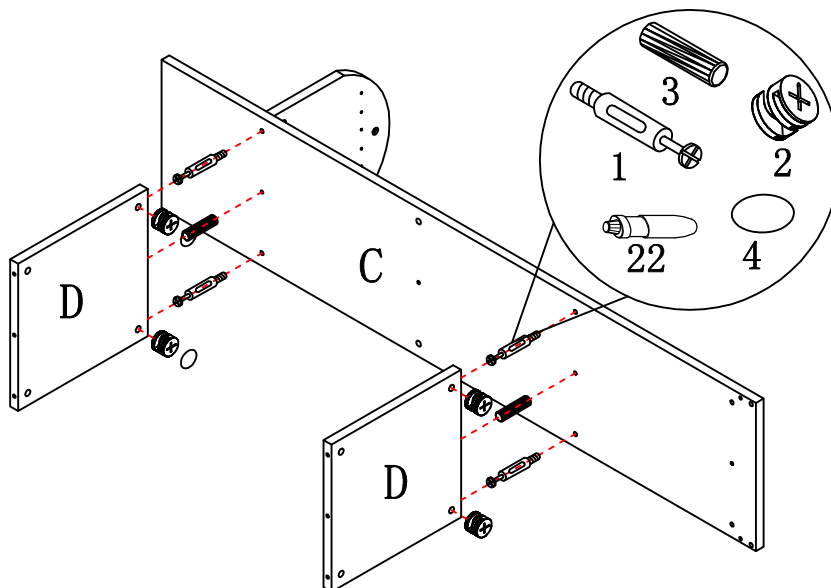
1	CAM BOLT	L=29mm		24pcs
2	CAM LOCK	Ø15mm		24pcs
3	DOWEL	Ø8x25mm		19pcs
4	STICKER	Ø22mm		13pcs
5	FULL THREAD ROD	M8x70mm		6pcs
6	JAM WASHER	M8mm		6pcs
7	WASHER	Ø8x16x2mm		16pcs
8	NUT	M8mm		6pcs
9	OPEN WRENCH	M13mm		1pc
10	LARGE STICKER	Ø45mm		6pcs
11	LARGE FLATHEAD SCREW	M6x30mm		2pcs
12	SMALL FLATHEAD SCREW	M6x25mm		4pcs
13	GLASS HOLDER	L=250mm		3pcs
14	SMALL SCREW	Ø4x16mm		9pcs
15	SMALL SCREW	Ø4x25mm		4pcs
16	THE RESTRAINT STRAP	197x5x1mm		1pc
17	BRACKET	12x12x1mm		2pcs
18	LARGE SCREW	Ø4x25mm		1pc
19	WALL SCREW	Ø5x40mm		1pc
20	PLASTIC ANCHOR	Ø8x40mm		1pc
21	WOOD SCREW	M7x48mm		4pcs
22	GLUE			1pc

# ASSEMBLY INSTRUCTIONS

## STEP 1

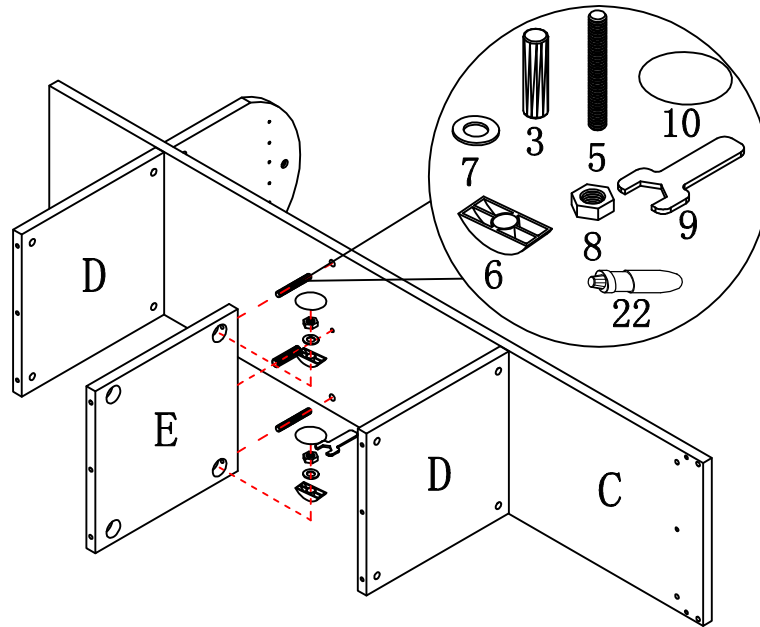


## STEP 2

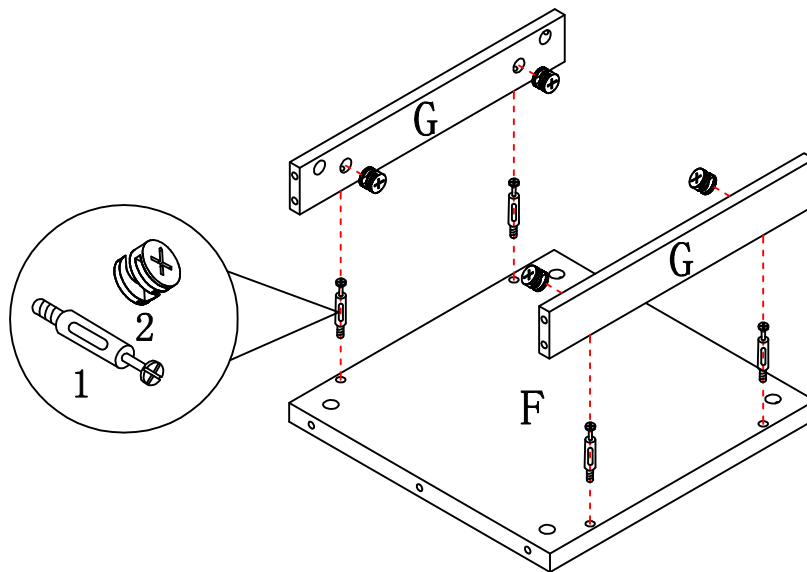


# ASSEMBLY INSTRUCTIONS

## STEP 3

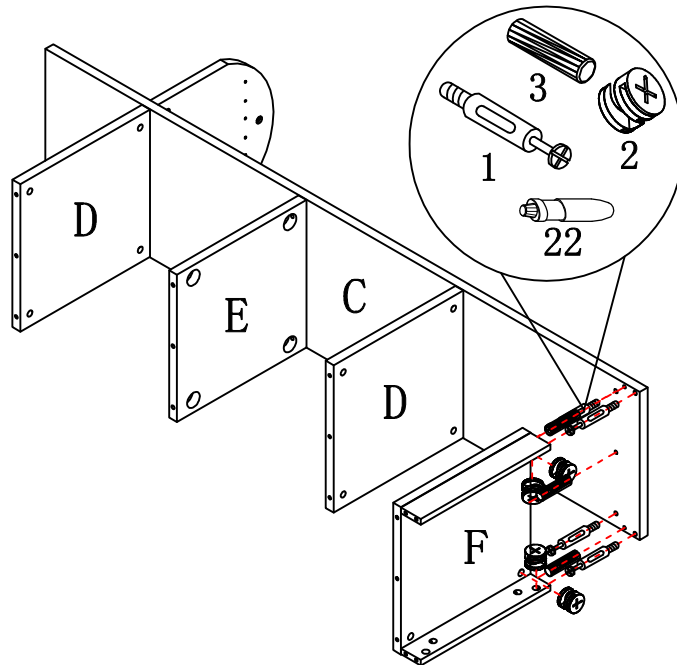


## STEP 4

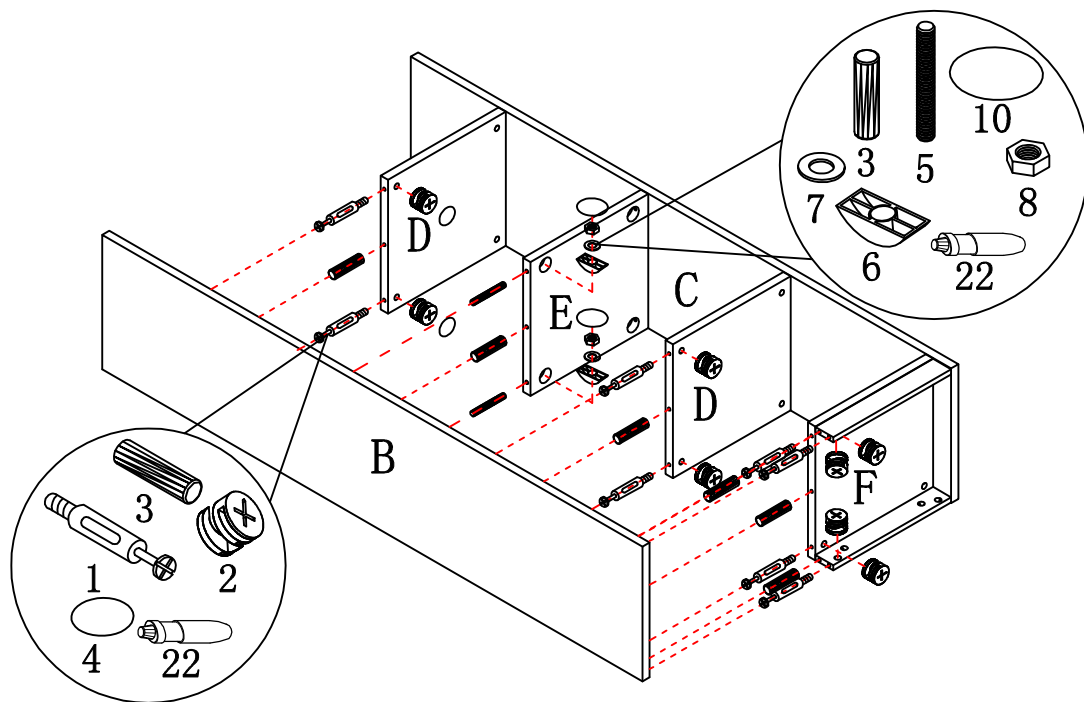


# ASSEMBLY INSTRUCTIONS

## STEP 5

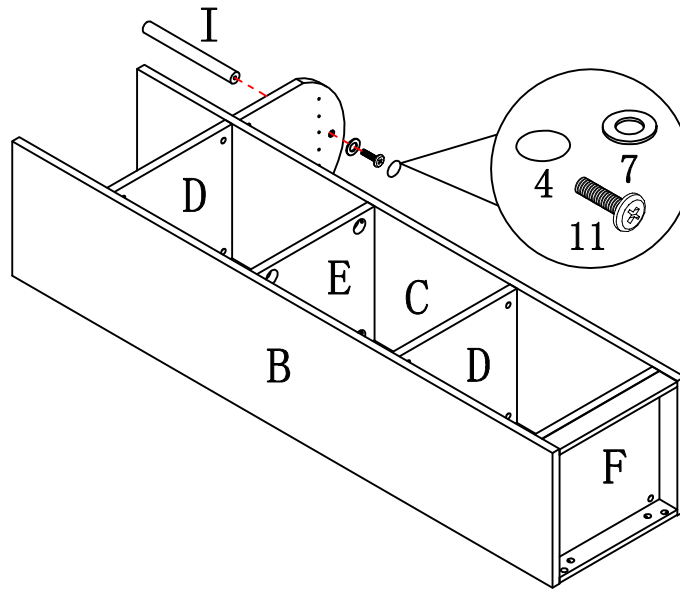


## STEP 6

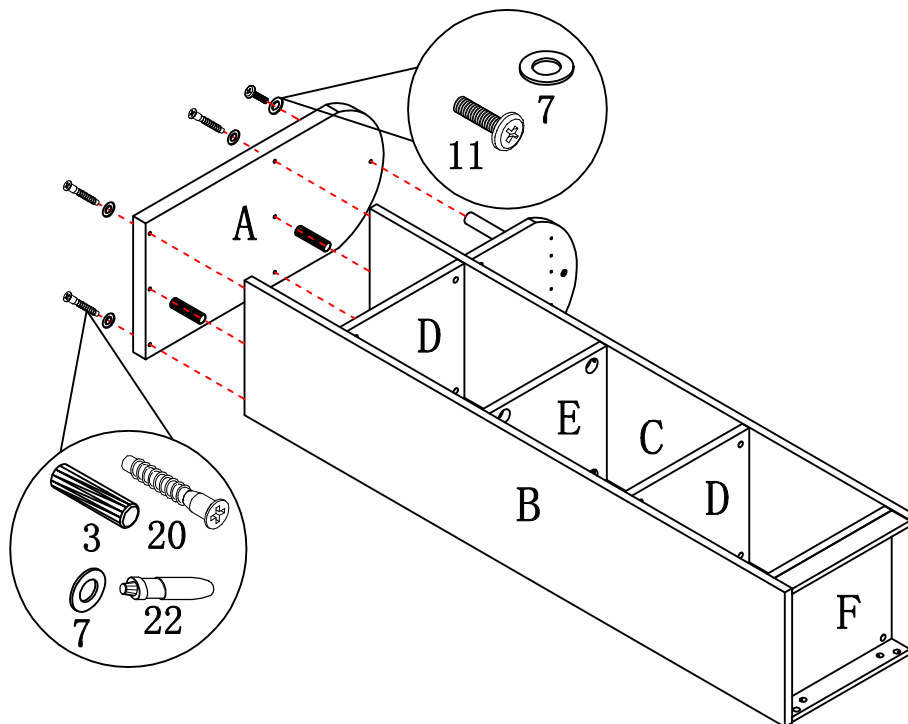


# ASSEMBLY INSTRUCTIONS

## STEP 7

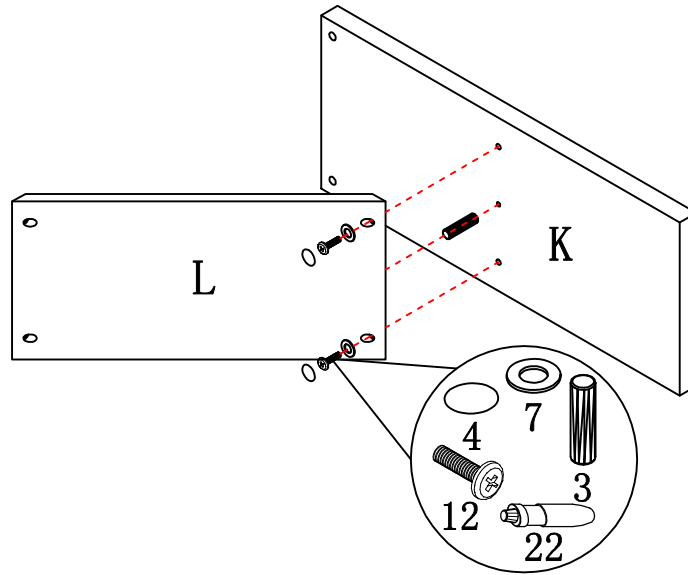


## STEP 8

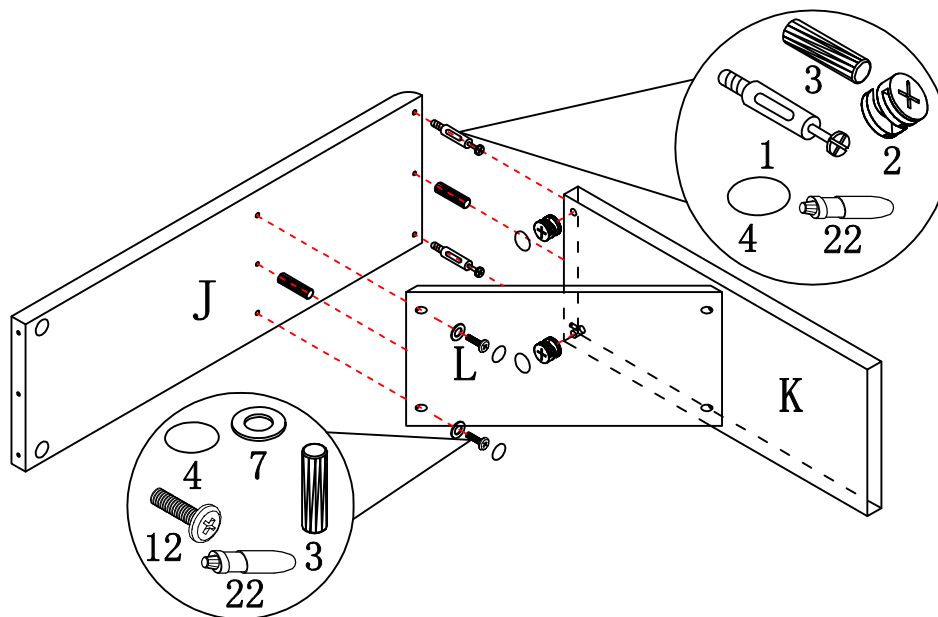


# ASSEMBLY INSTRUCTIONS

## STEP 9

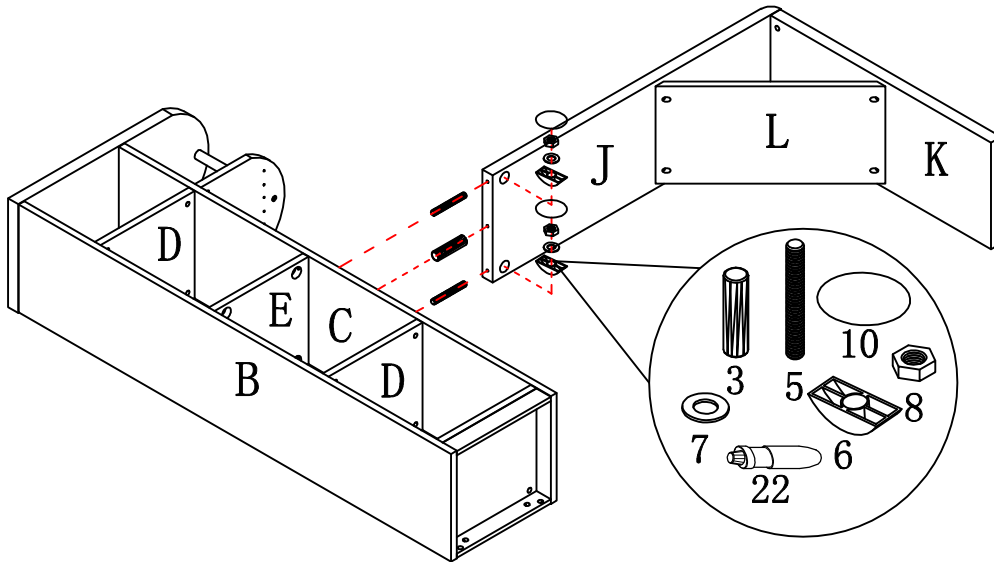


## STEP 10

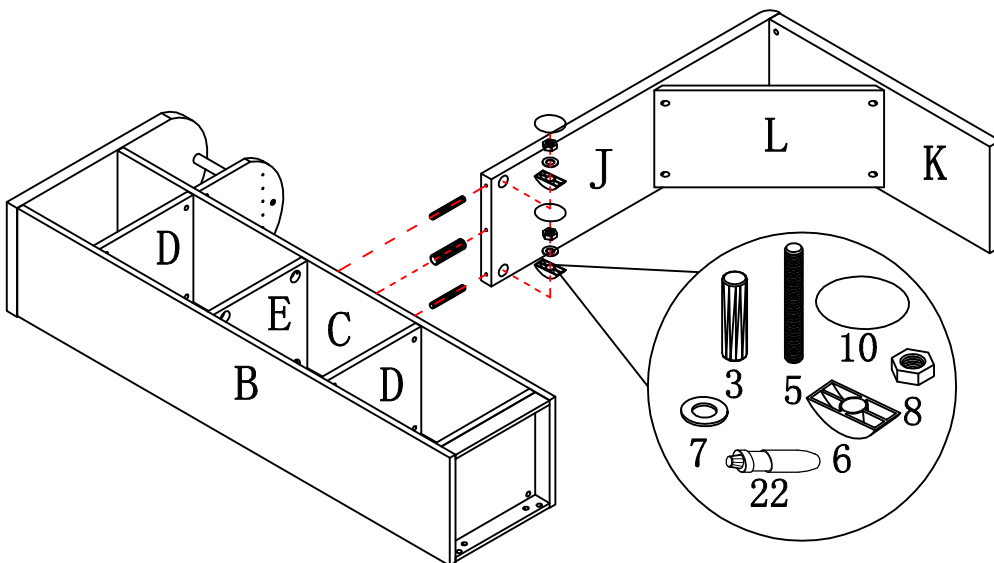


# ASSEMBLY INSTRUCTIONS

## STEP 11

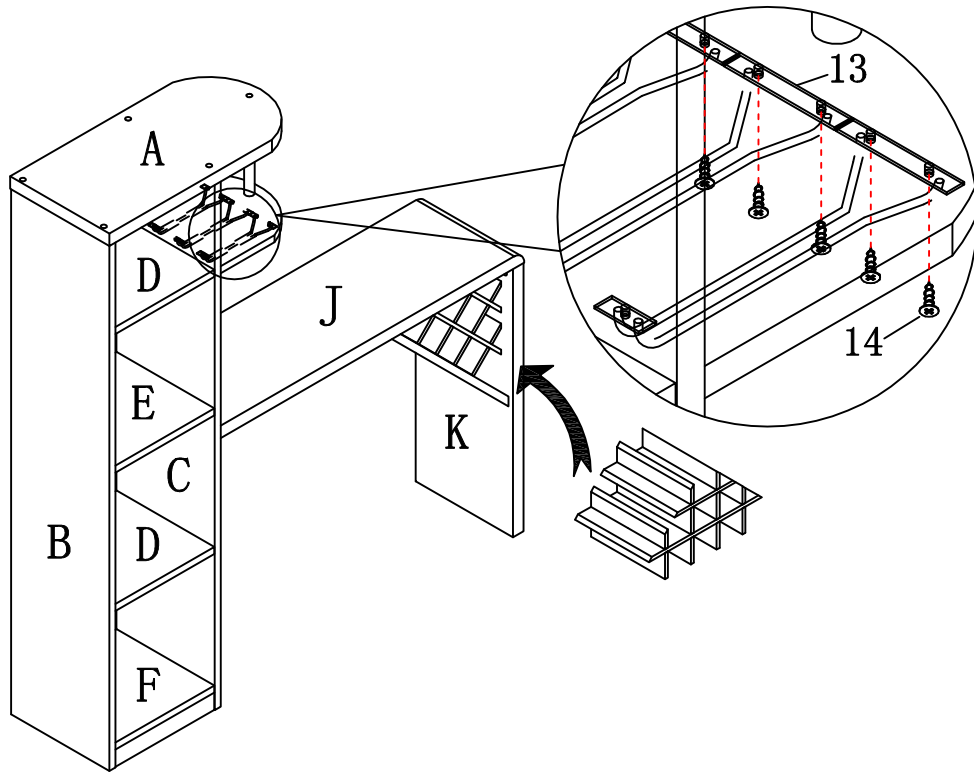


## STEP 12

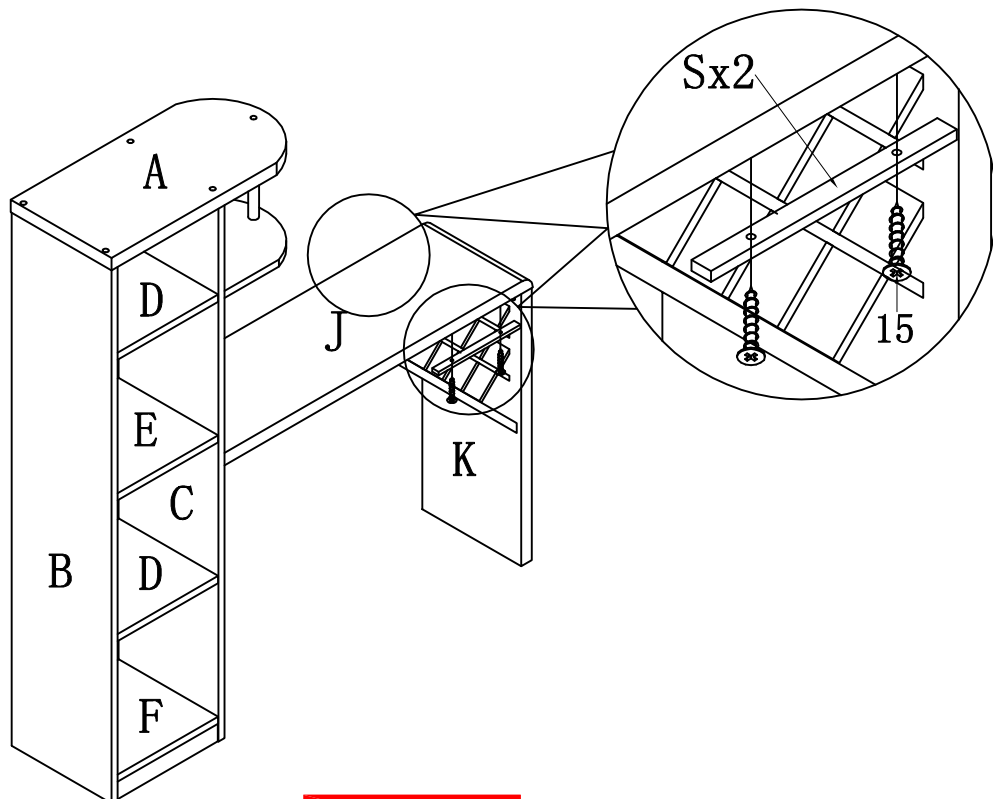


# ASSEMBLY INSTRUCTIONS

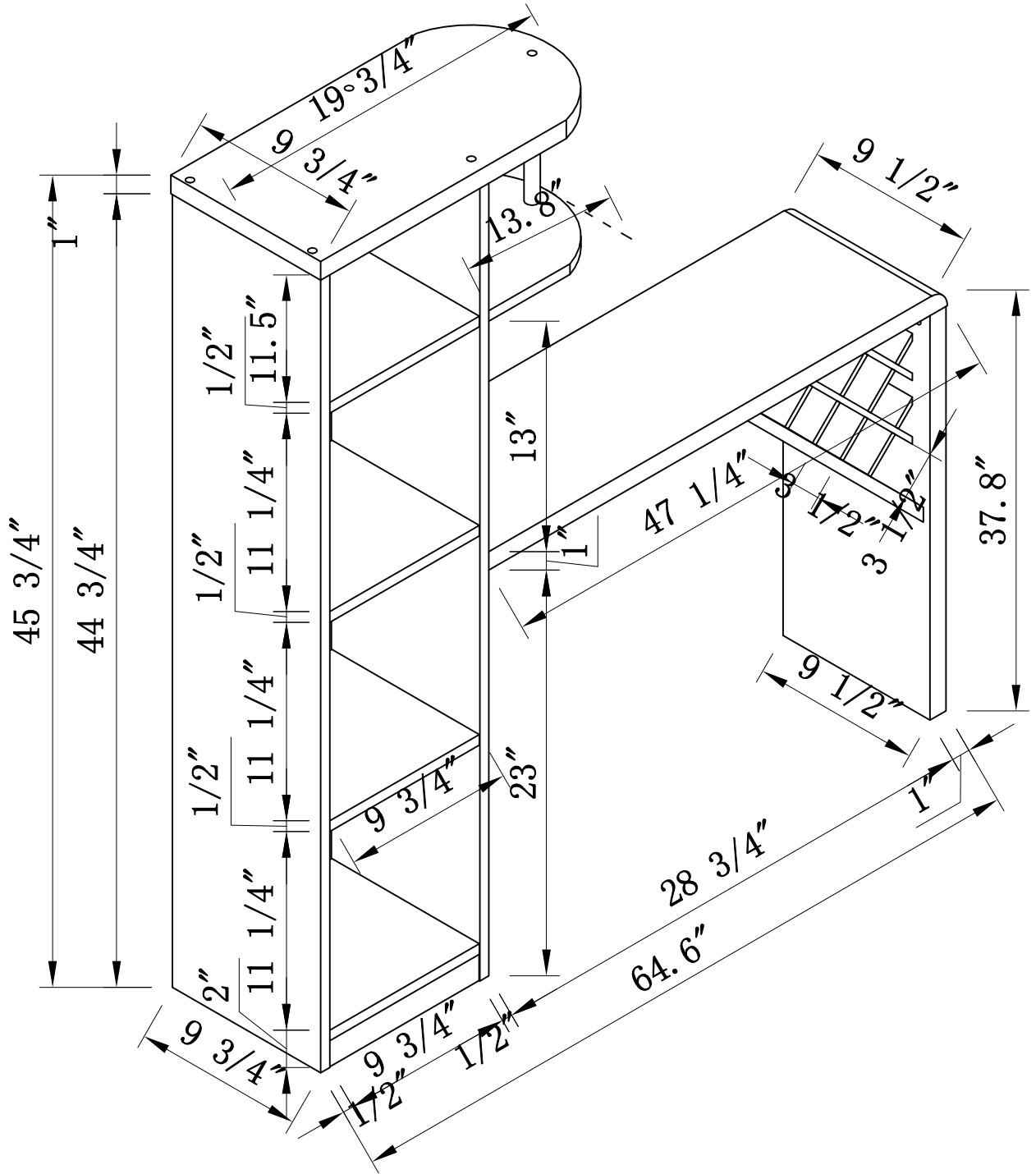
## STEP 13



## STEP 14



# DIMENSION



## ANTI-TIPPING INSTALLMENT INSTRUCTIONS

### FURNITURE TIPPING RESTRAINT

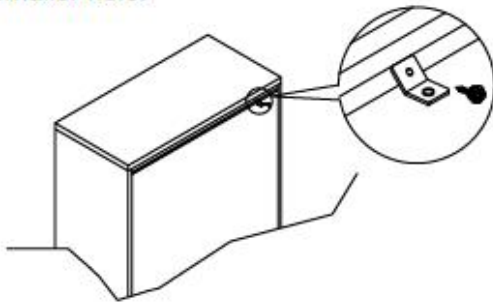
#### WARNING

Injury may result from tipping furniture.  
This restraint may protect against tipping furniture.  
Do not allow children to climb on furniture.  
This restraint is not a substitute for proper adult supervision.  
Failure to detach this restraint before moving the furniture may result in injury and damage.

This tip restraint must be attached to a wall stud using long screw enclosed.

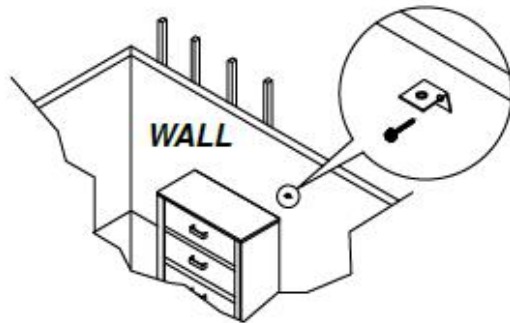
#### STEP 1

Attach a bracket securely to the back top rail to the furniture using short screw provided, through the smaller hole.



#### STEP 2

Locate the other bracket on the wall over a wall stud and two inches below the mounting bracket secured to the back of the furniture. Attach the wall stud using the long screw provided, through the smaller hole.



#### STEP 3

Place the furniture into position so both mounting brackets are vertically in line. Lace the end of the restraint strap through the larger hole in each mounting bracket. Bring both ends together and slide the flat end through the locking and draw it until all slack is removed. Confirm that the strap is securely laced and locked.

