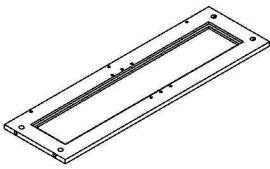
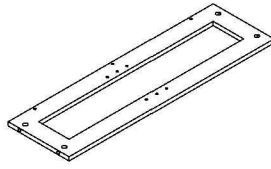
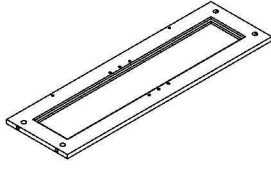
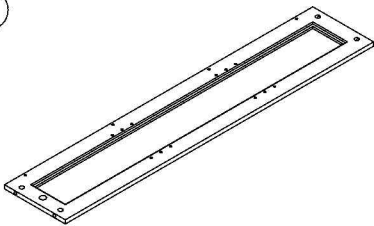
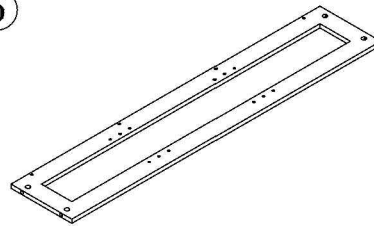
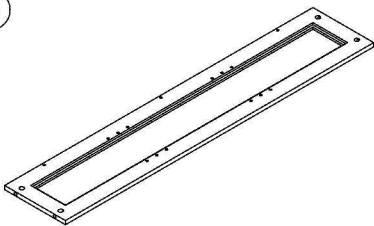
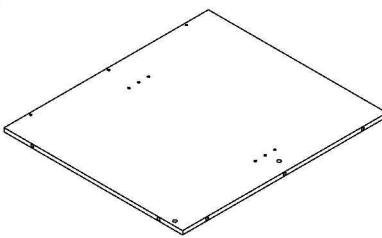
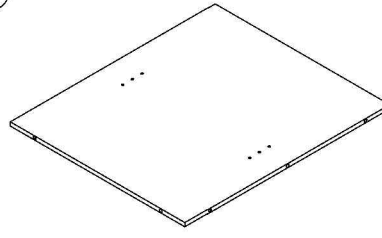
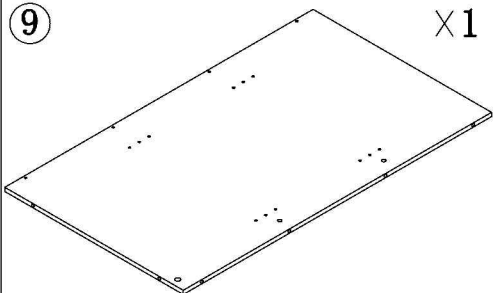
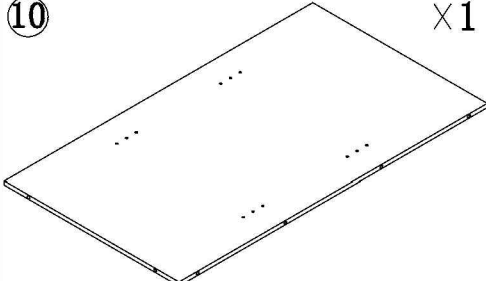
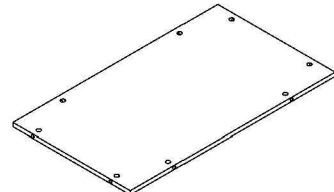
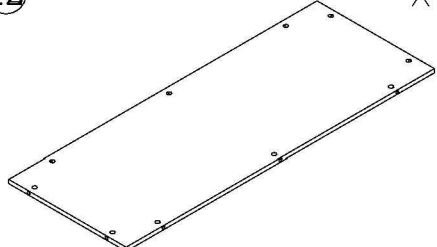
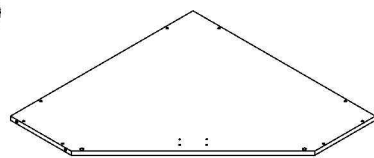
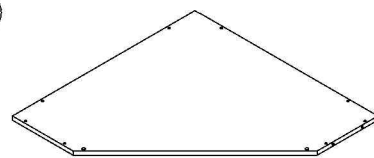
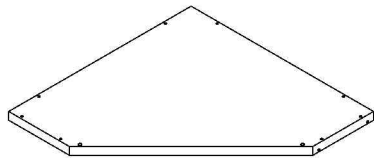
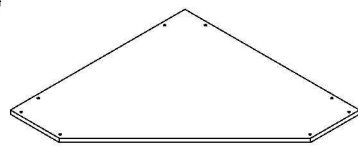
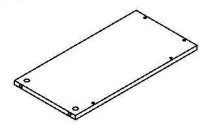
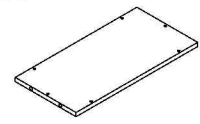
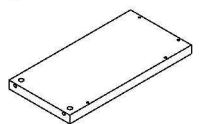
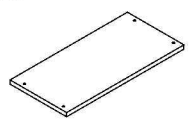
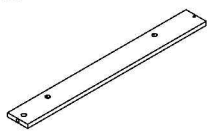
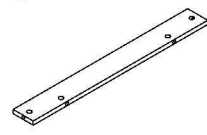
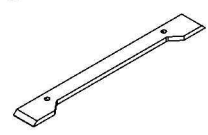
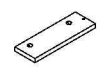
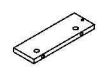
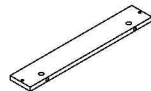

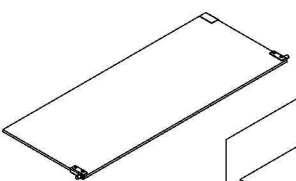
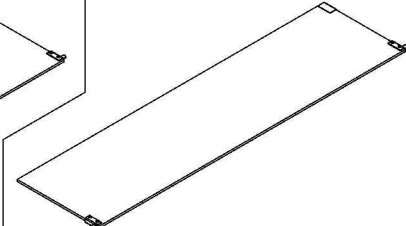
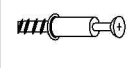



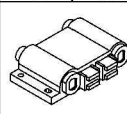
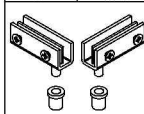
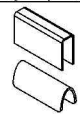




# (TTAC029) ASSEMBLY INSTRUCTION P2

①  ×1	②  ×1	③  ×1				
④  ×1	⑤  ×1	⑥  ×1				
⑦  ×1	⑧  ×1	⑨  ×1				
⑩  ×1	⑪  ×1	⑫  ×1				
⑬  ×1	⑭  ×1	⑮  ×1				
⑯  ×3	⑰  ×1	⑱  ×1	⑲  ×1	⑳  ×3		
㉑  ×1	㉒  ×1	㉓  ×1	㉔  ×1	㉕  ×1	㉖  ×2	㉗  ×2

㉘  ×2	㉙  ×2
---	--

<b>A</b> ×108  ø6*28mm	<b>B</b> ×108  ø12*10mm	<b>I</b> ×8  ø4*14mm	<b>K</b> ×10 	
<b>O</b> ×2 	<b>P</b> ×4 	<b>Q</b> ×4 	<b>R</b> ×36 	<b>S</b> ×36 

# (TTAC029) ASSEMBLY INSTRUCTION P3

**1**

A	x4	R	x4	S	x4
ø6*28mm					

**2**

A	x3	R	x4	S	x4
ø6*28mm					

**3**

A	x7	R	x8	S	x8
ø6*28mm					

**4**

A	x3	R	x2	S	x2
ø6*28mm					

**5**

A	x2	R	x2	S	x2
ø6*28mm					

**6**

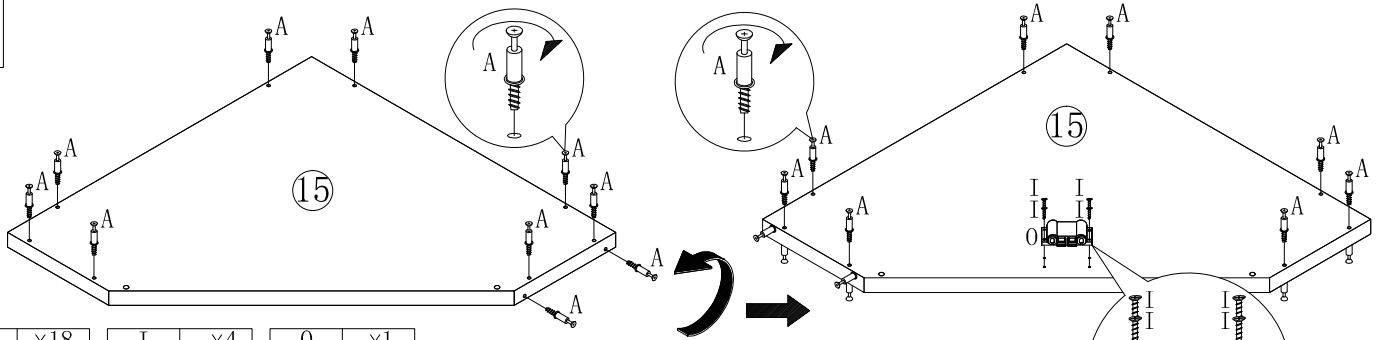
A	x5	R	x4	S	x4
ø6*28mm					

**7**

A	x10	I	x4	O	x1
ø6*28mm					
ø4*14mm					

# (TTAC029) ASSEMBLY INSTRUCTION P4

8

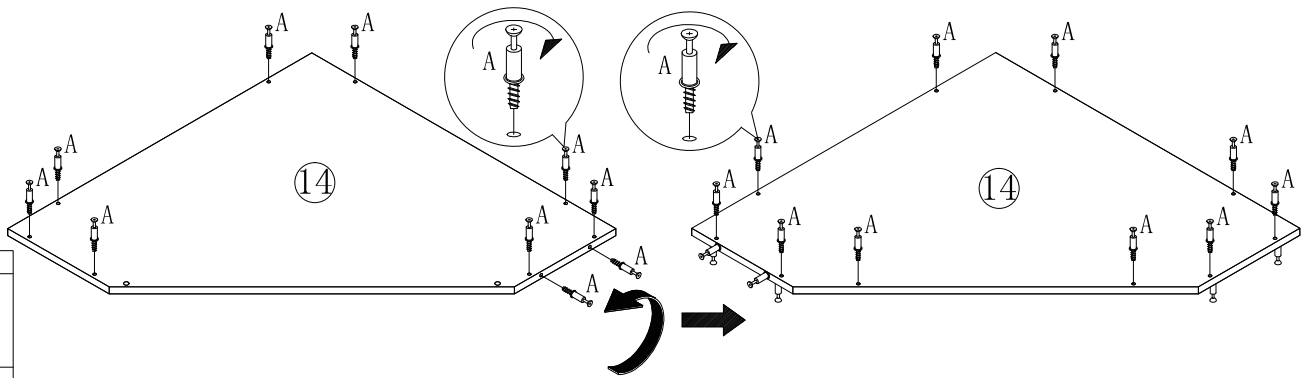


A	x18
Ø6*28mm	

I	x4
Ø4*14mm	

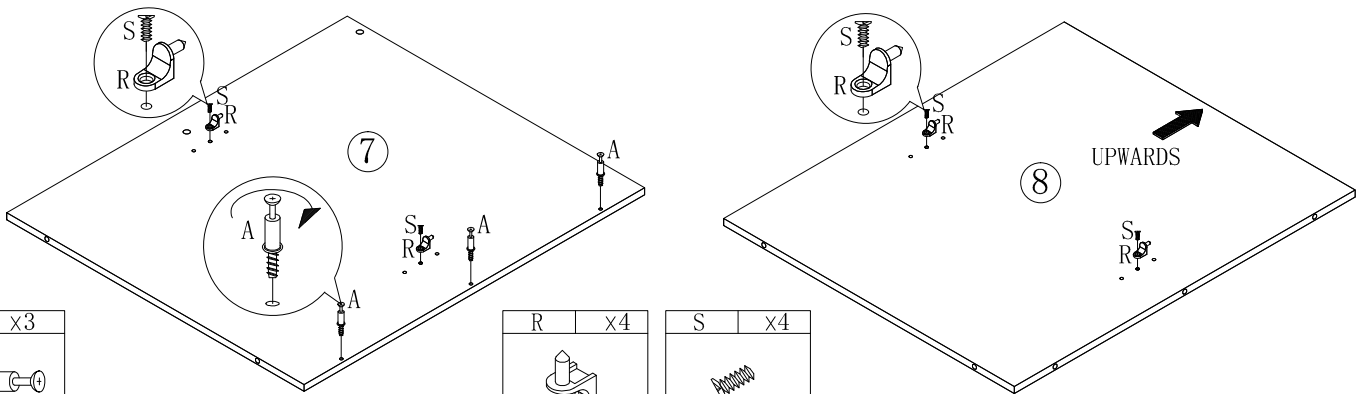
O	x1

9



A	x20
Ø6*28mm	

10

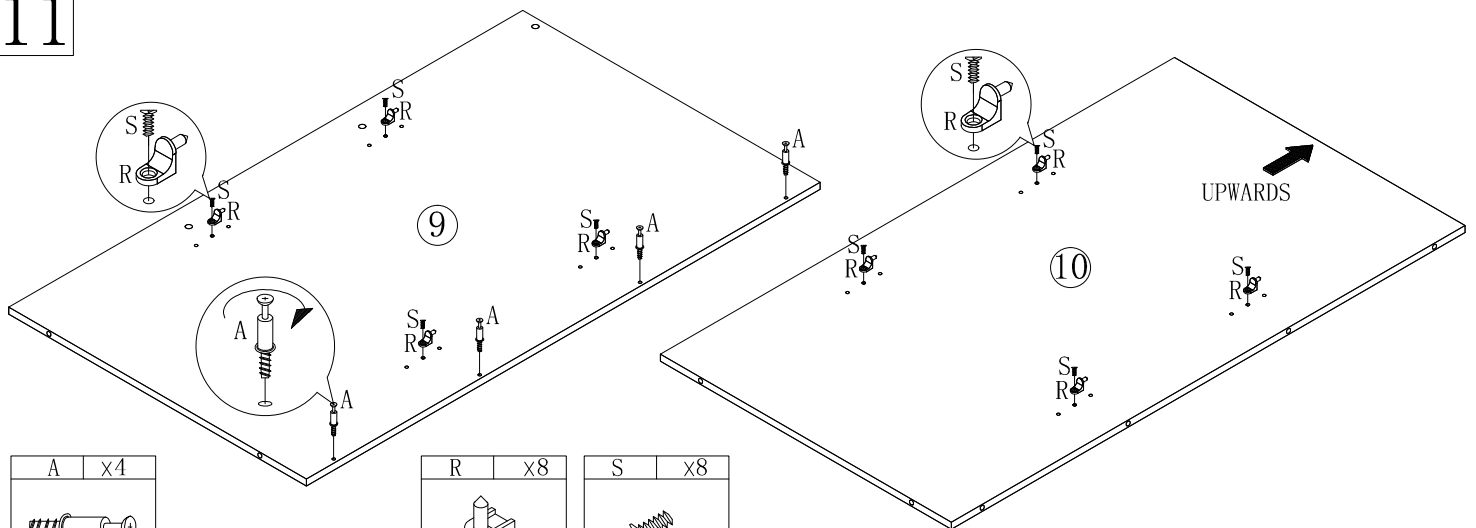


A	x3
Ø6*28mm	

R	x4

S	x4

11



A	x4
Ø6*28mm	

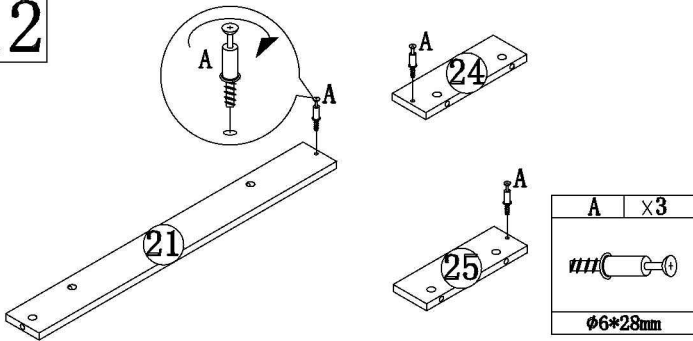
R	x8

S	x8

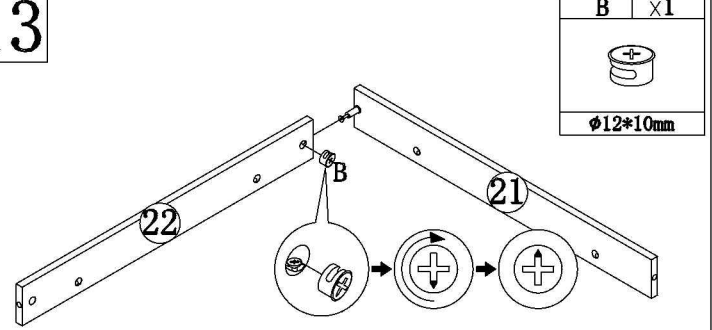
# (TTAC029) ASSEMBLY INSTRUCTION

# P5

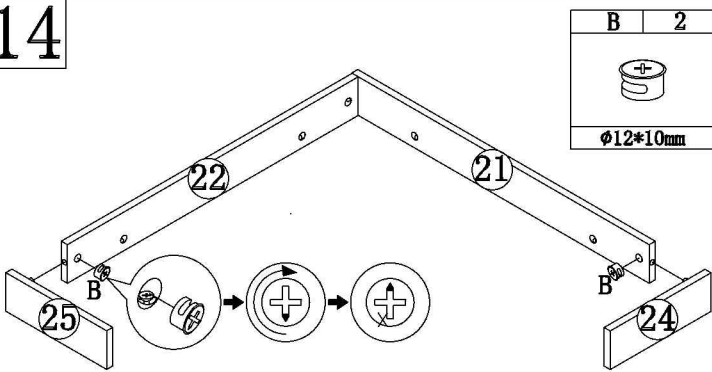
## 12



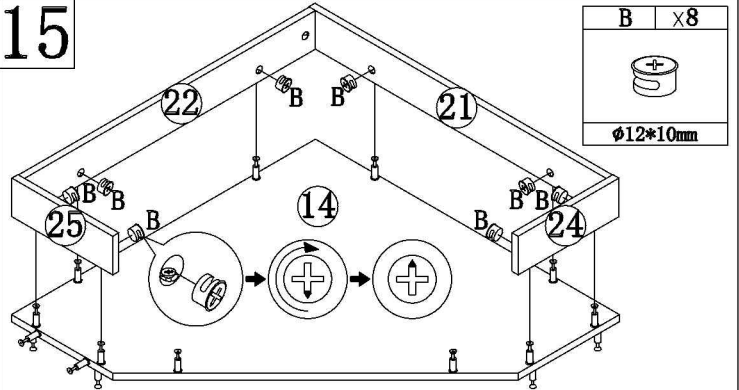
## 13



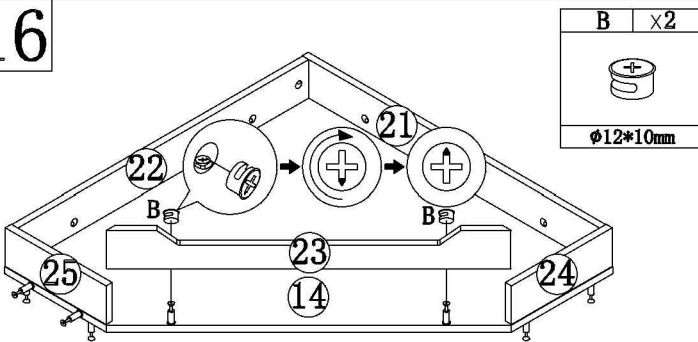
## 14



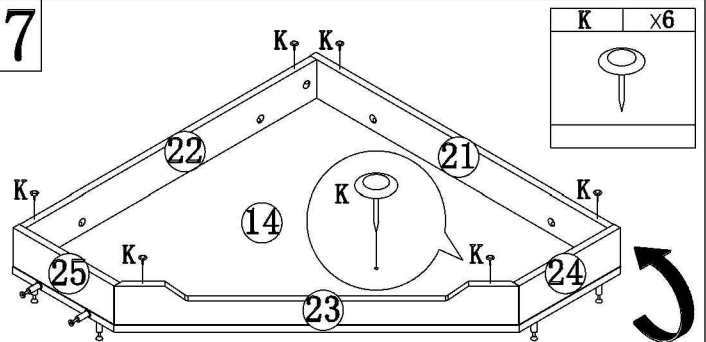
## 15



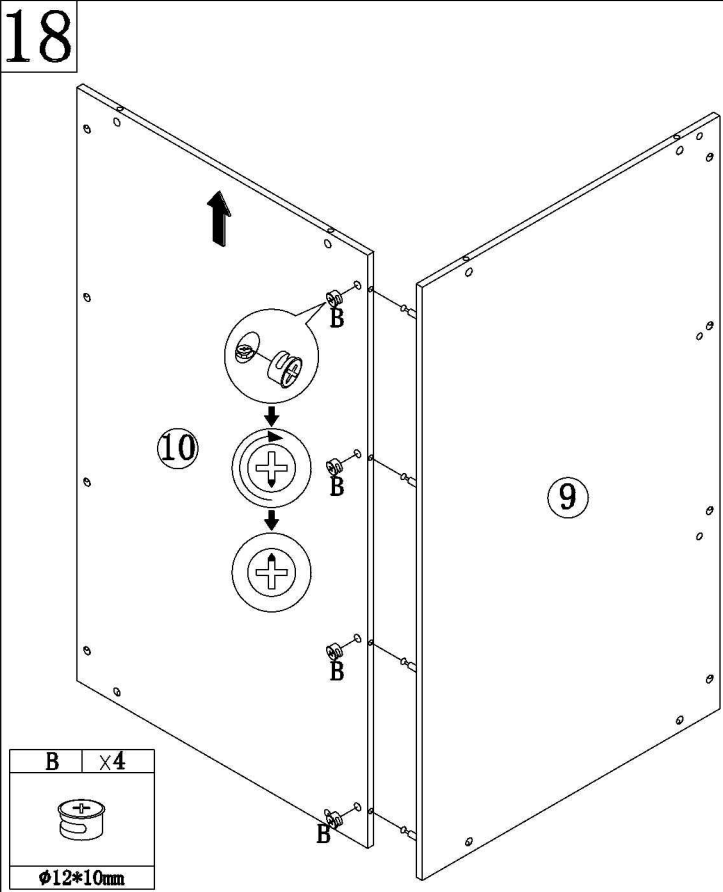
## 16



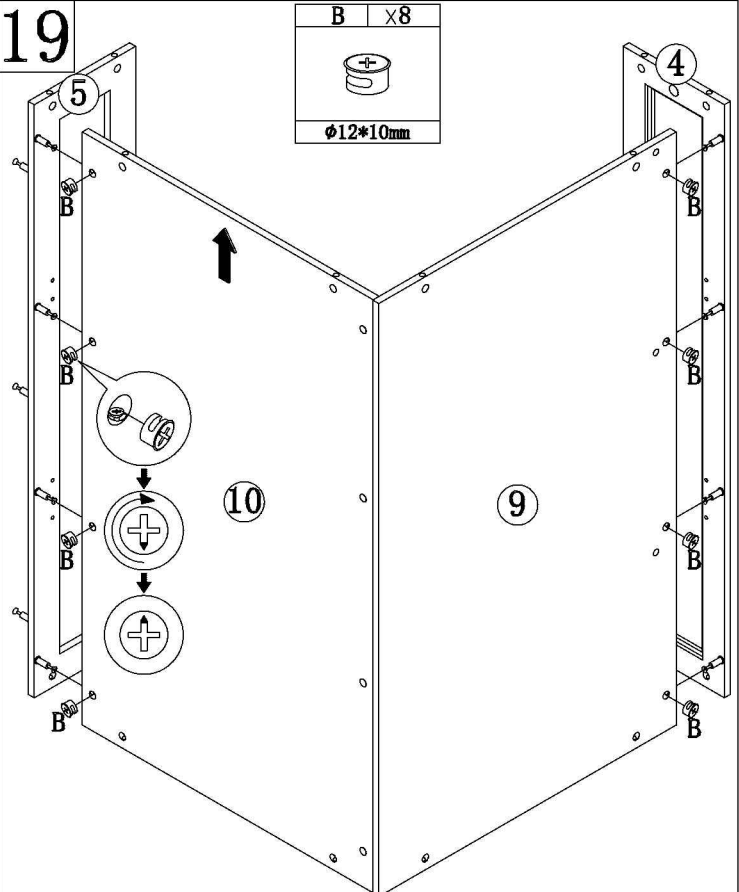
## 17



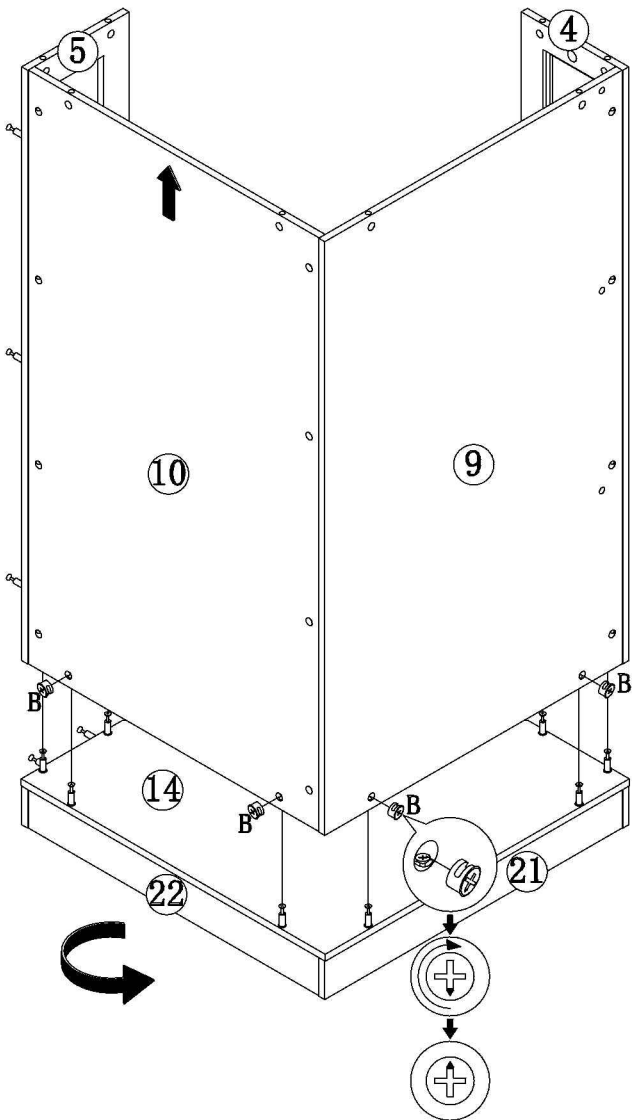
## 18



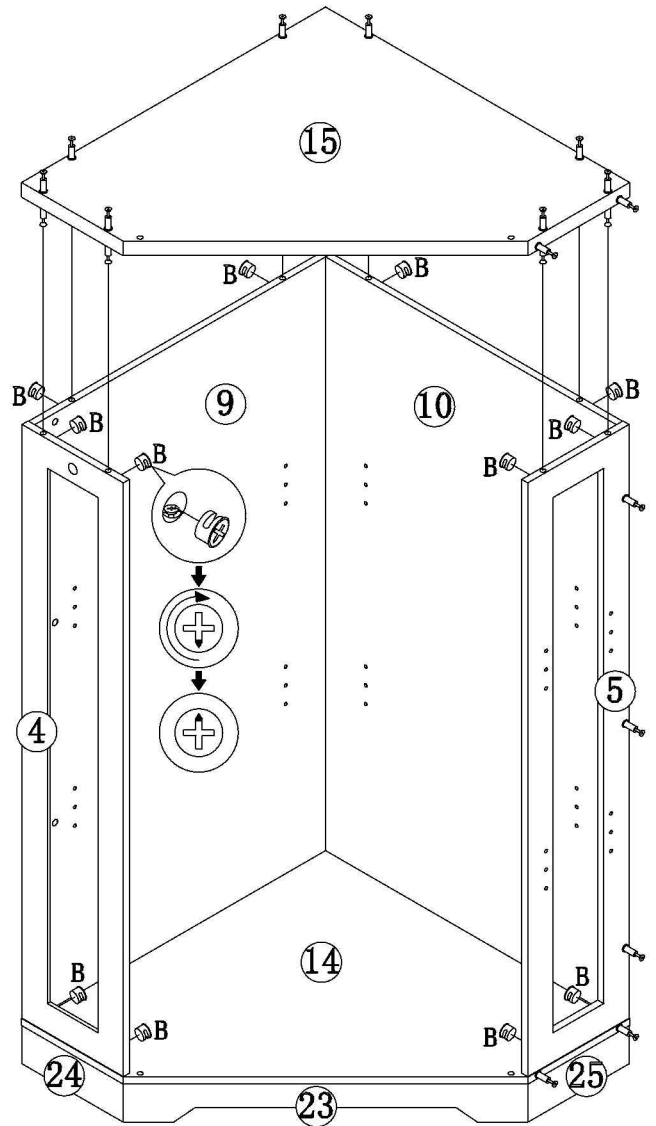
## 19





## 20



## 21

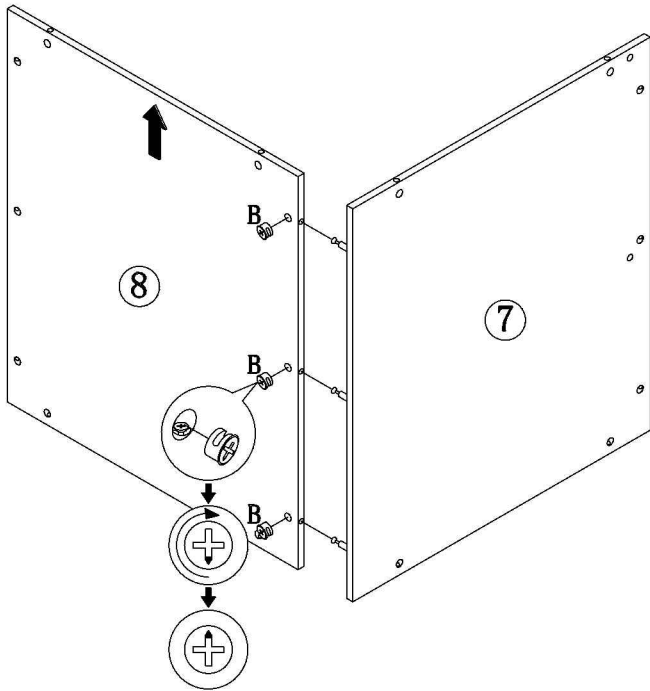



B	×4
	
φ12*10mm	

B	×12
	
φ12*10mm	

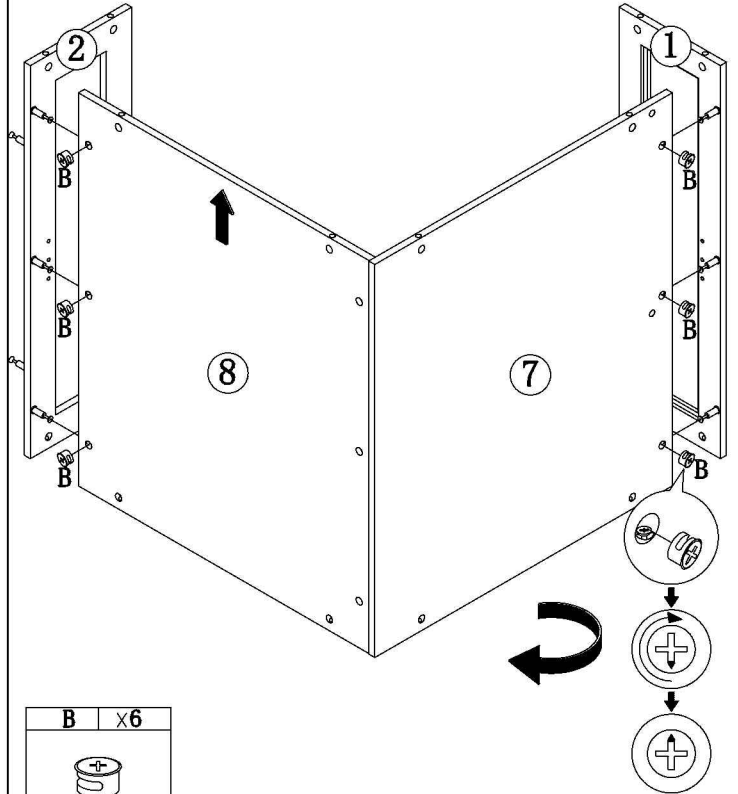
# (TTAC029) ASSEMBLY INSTRUCTION


## 22



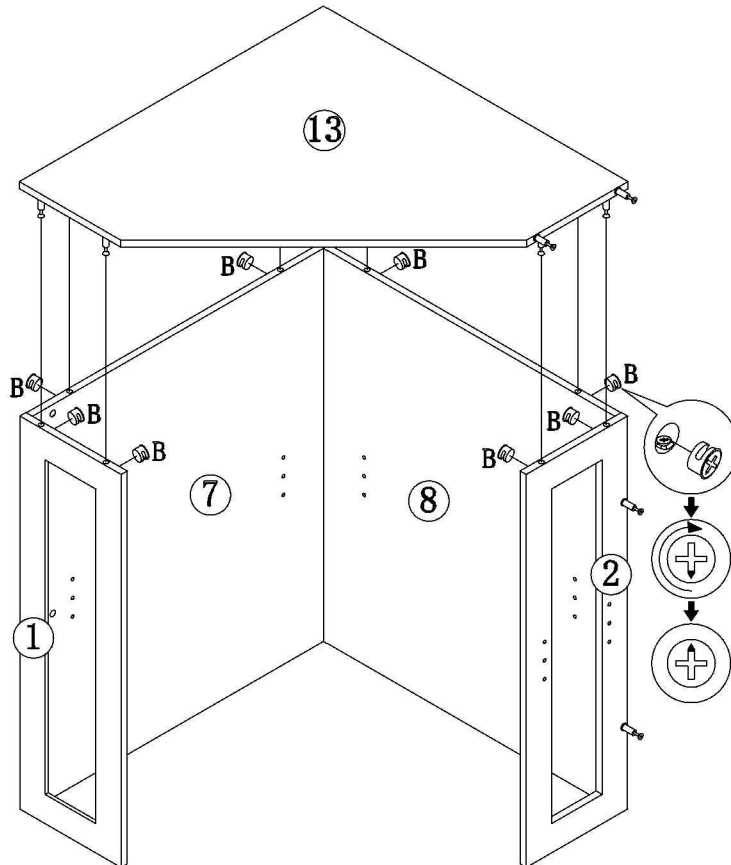
B	x3
	
Ø12*10mm	


## 23



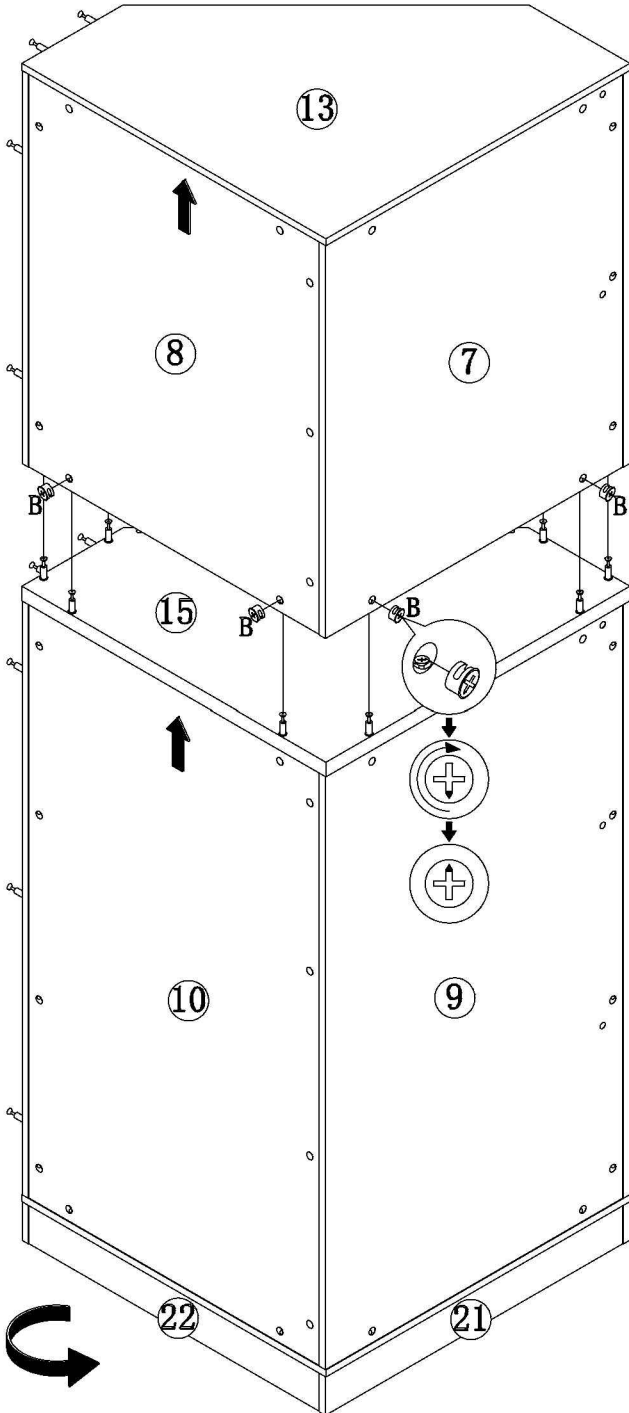
B	x6
	
Ø12*10mm	

## 24

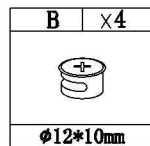
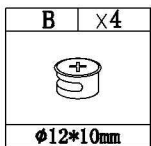
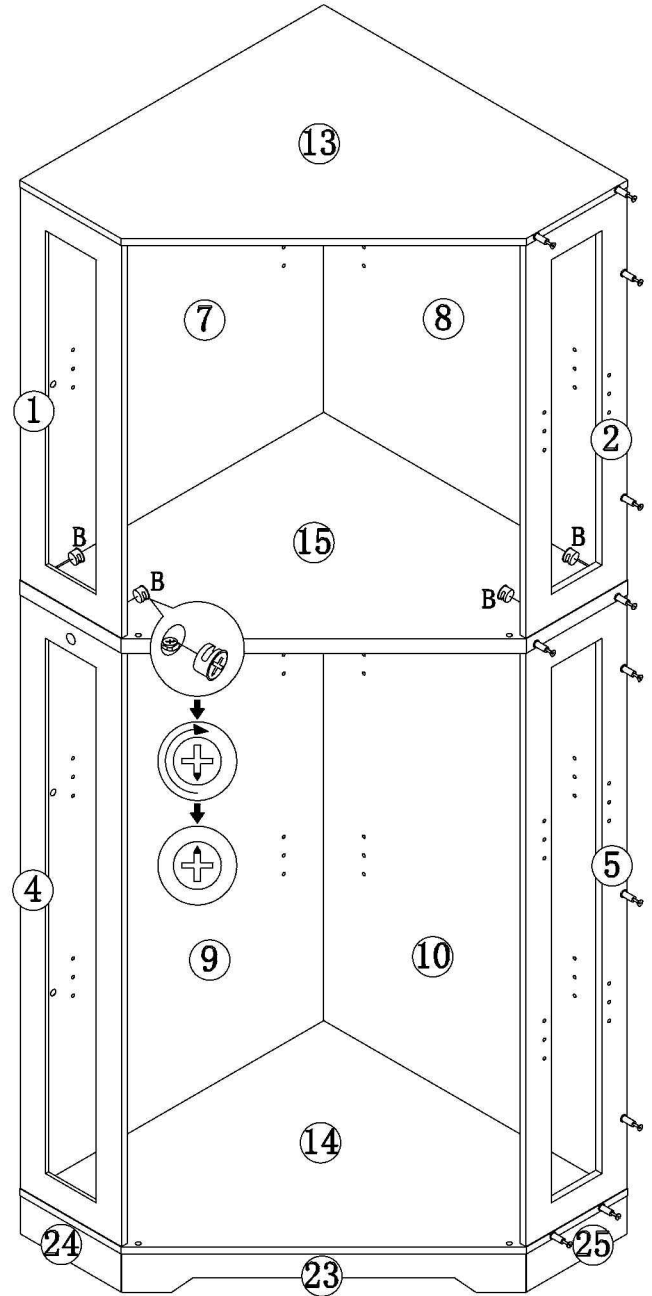


B	x8
	
Ø12*10mm	

## 25

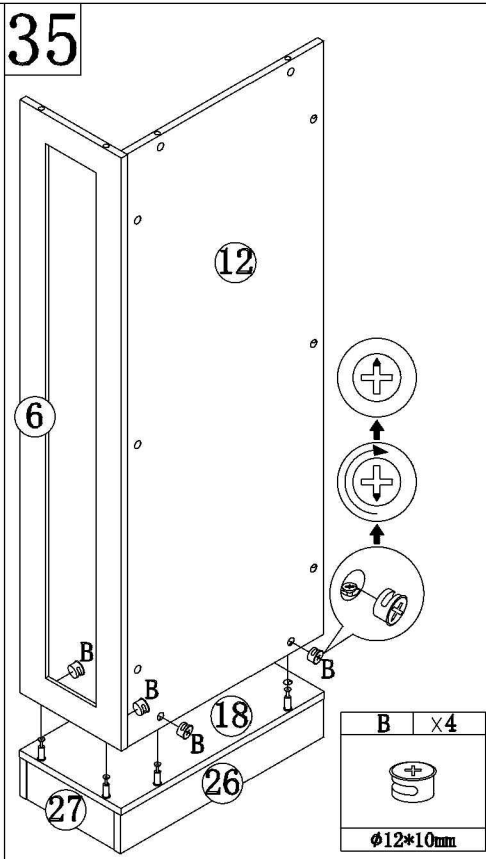
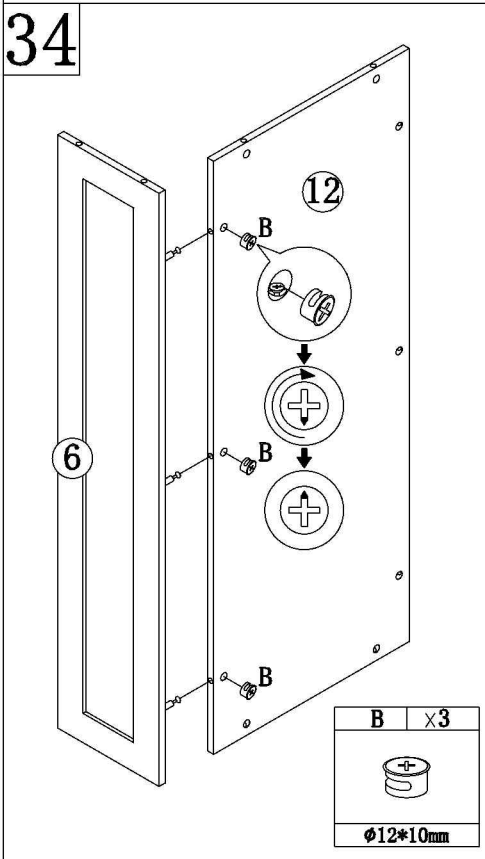
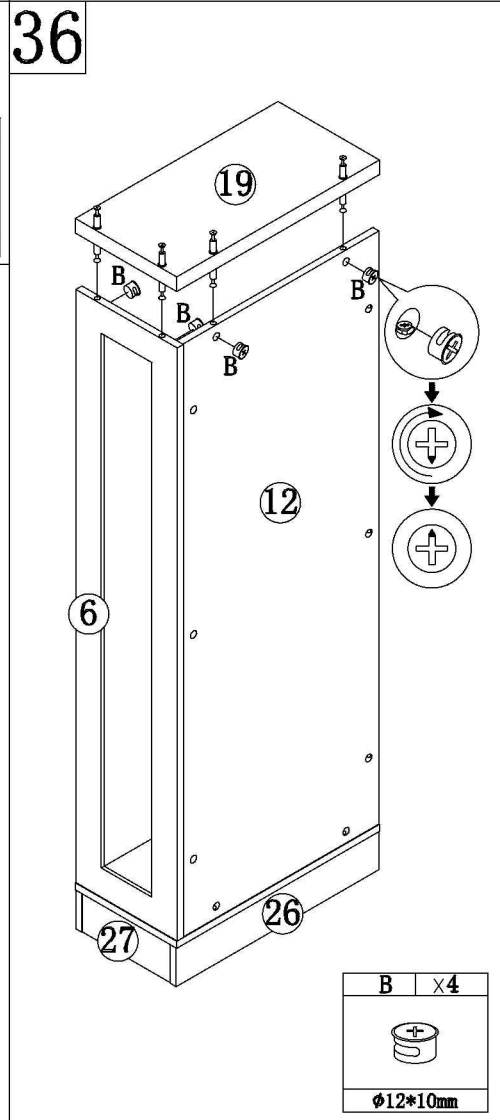
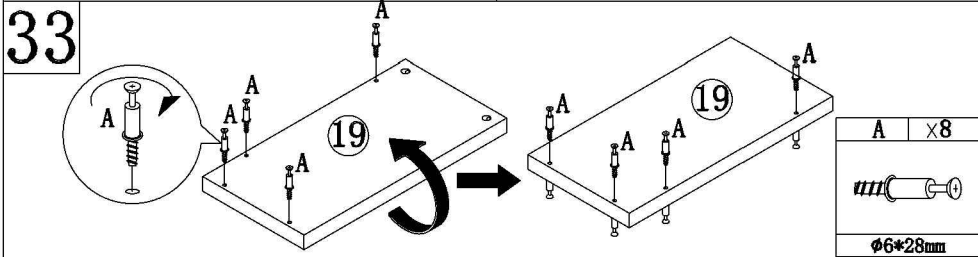
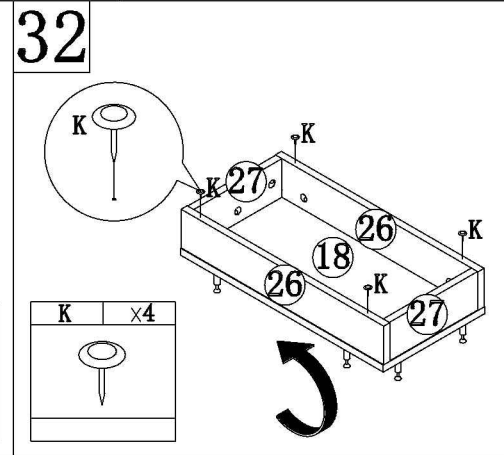
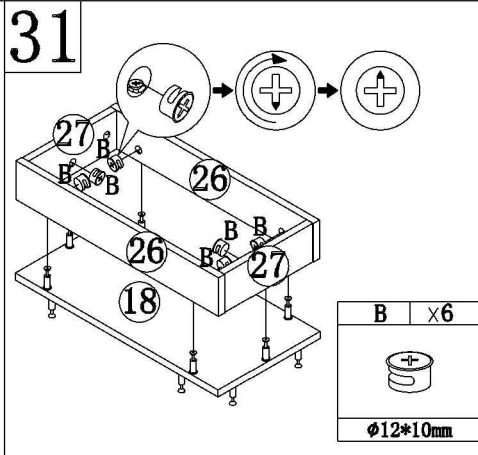
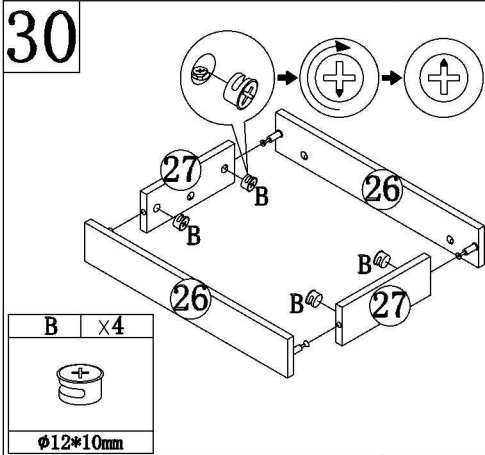
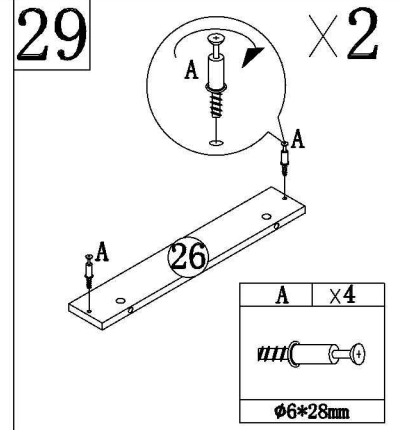
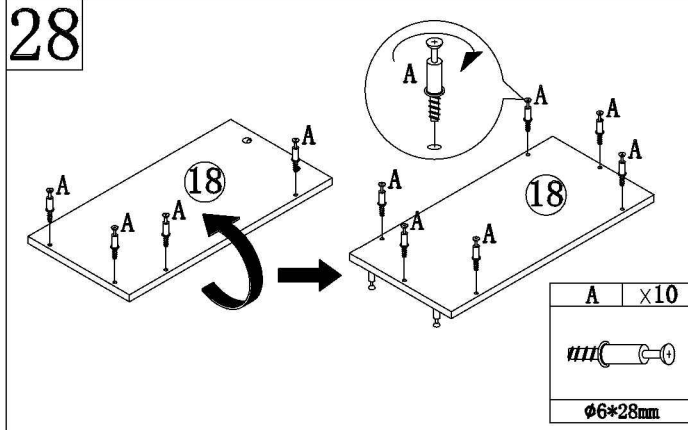
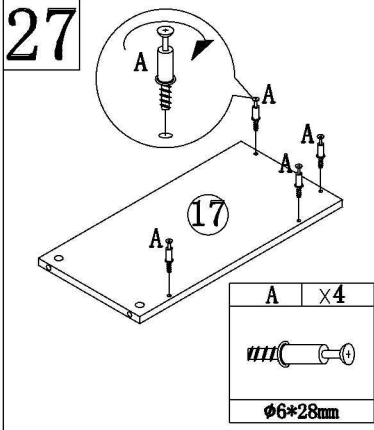


## 26

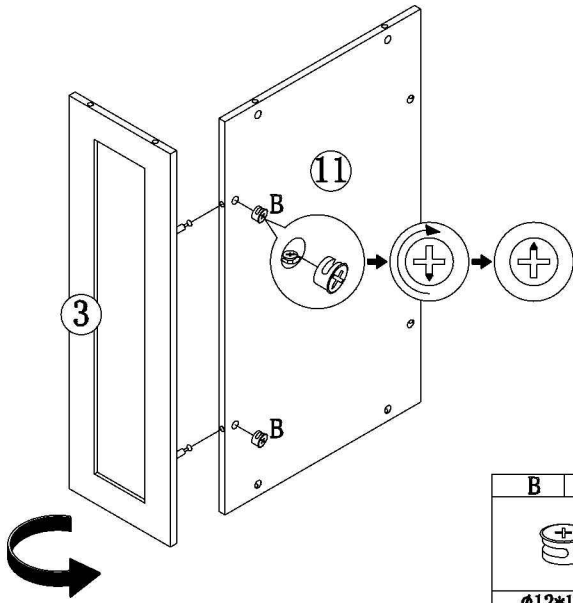


# (TTAC029) ASSEMBLY INSTRUCTION

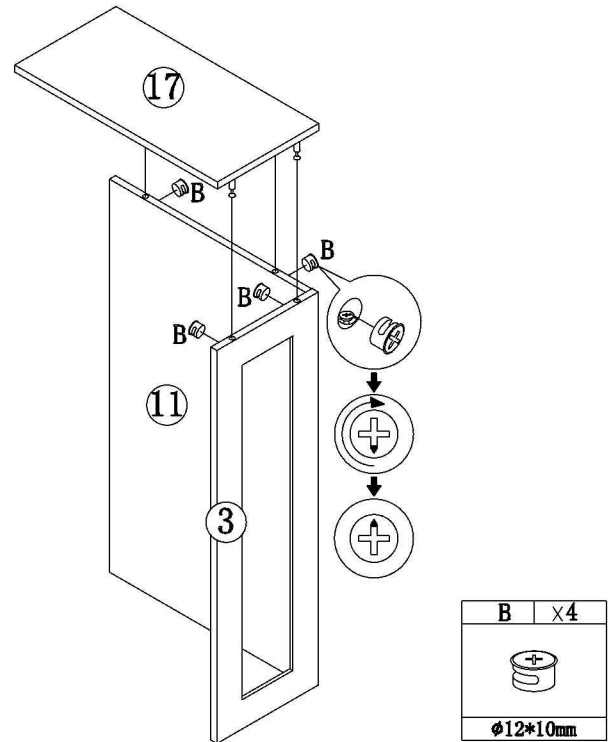
P9



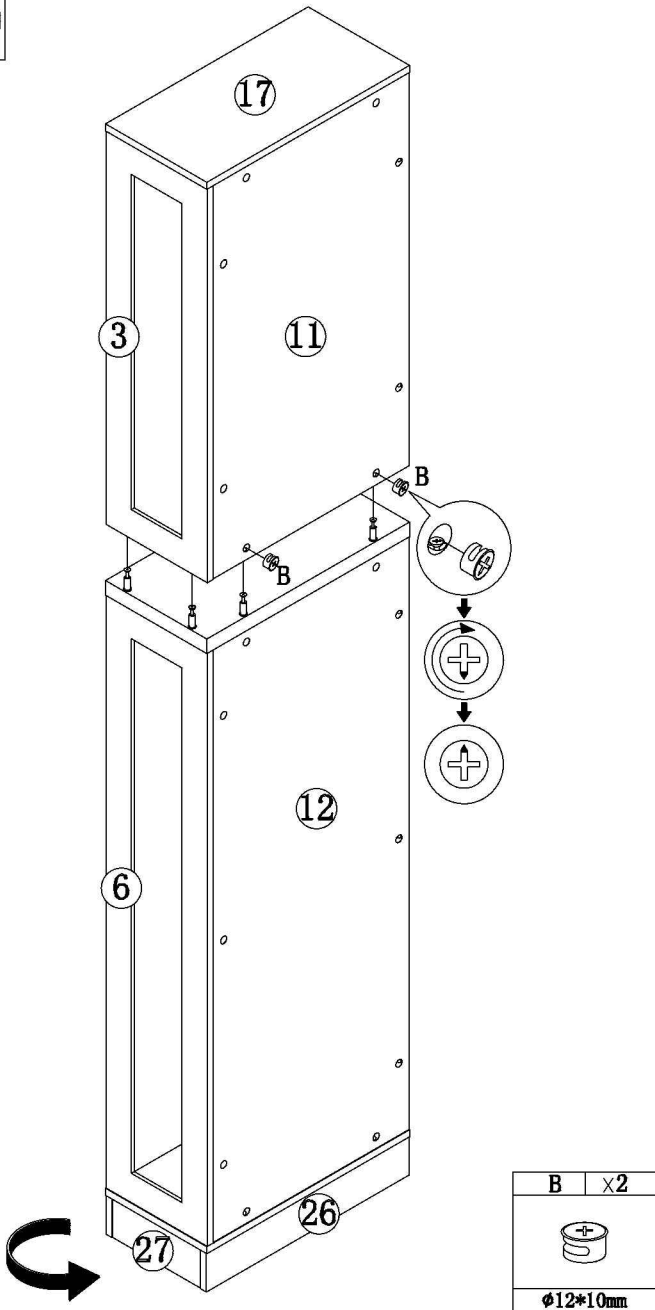
### 37



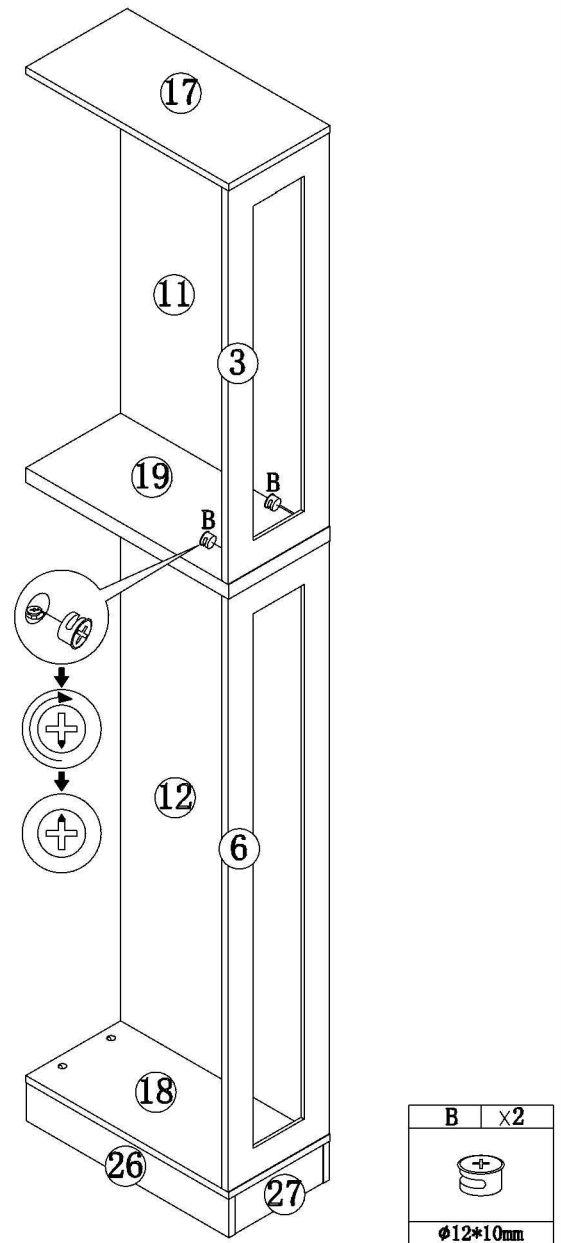
### 38



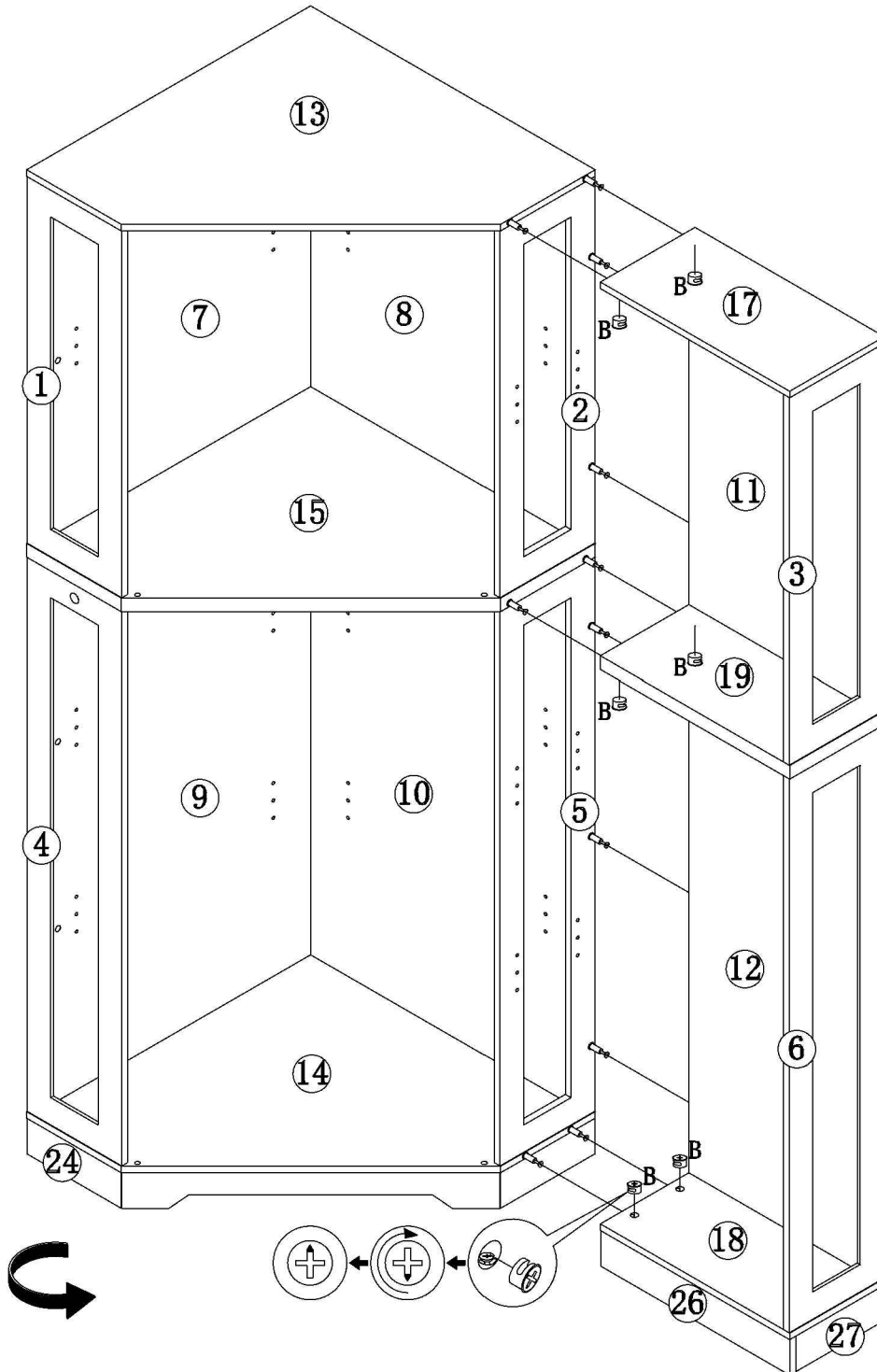
### 39




### 40

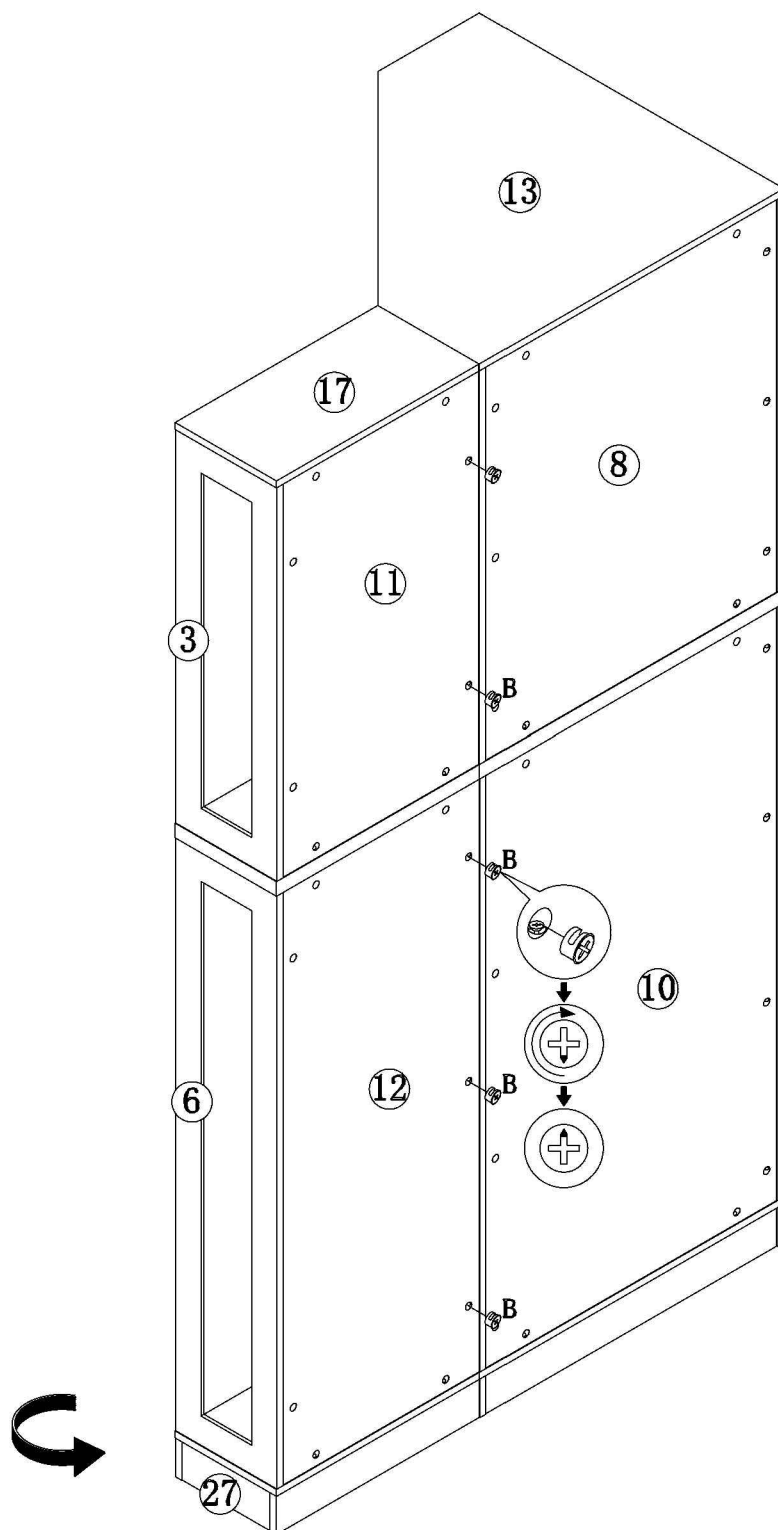



## 41



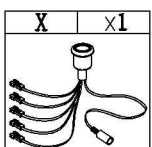
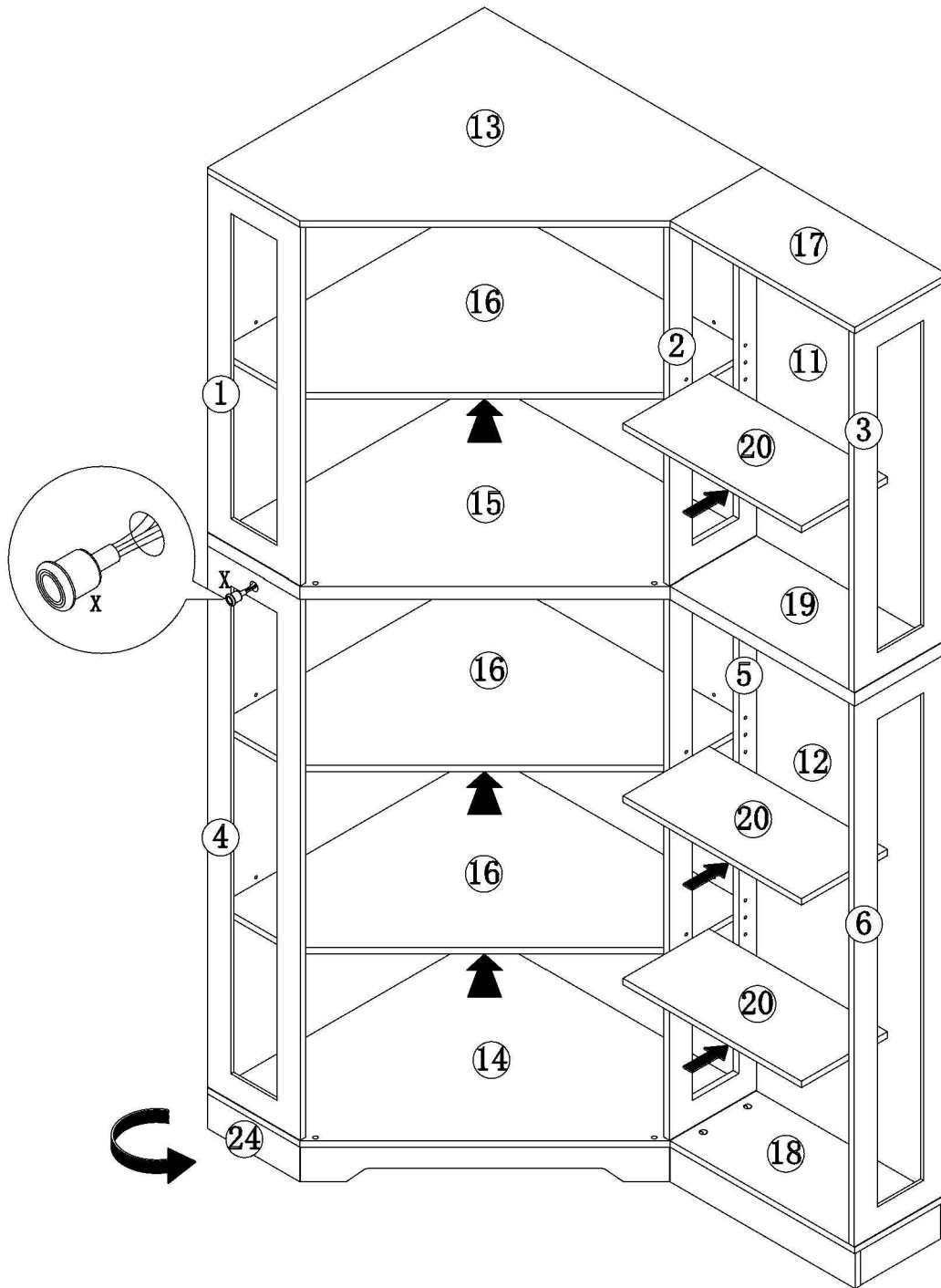
B	x6
	
Ø12*10mm	

42

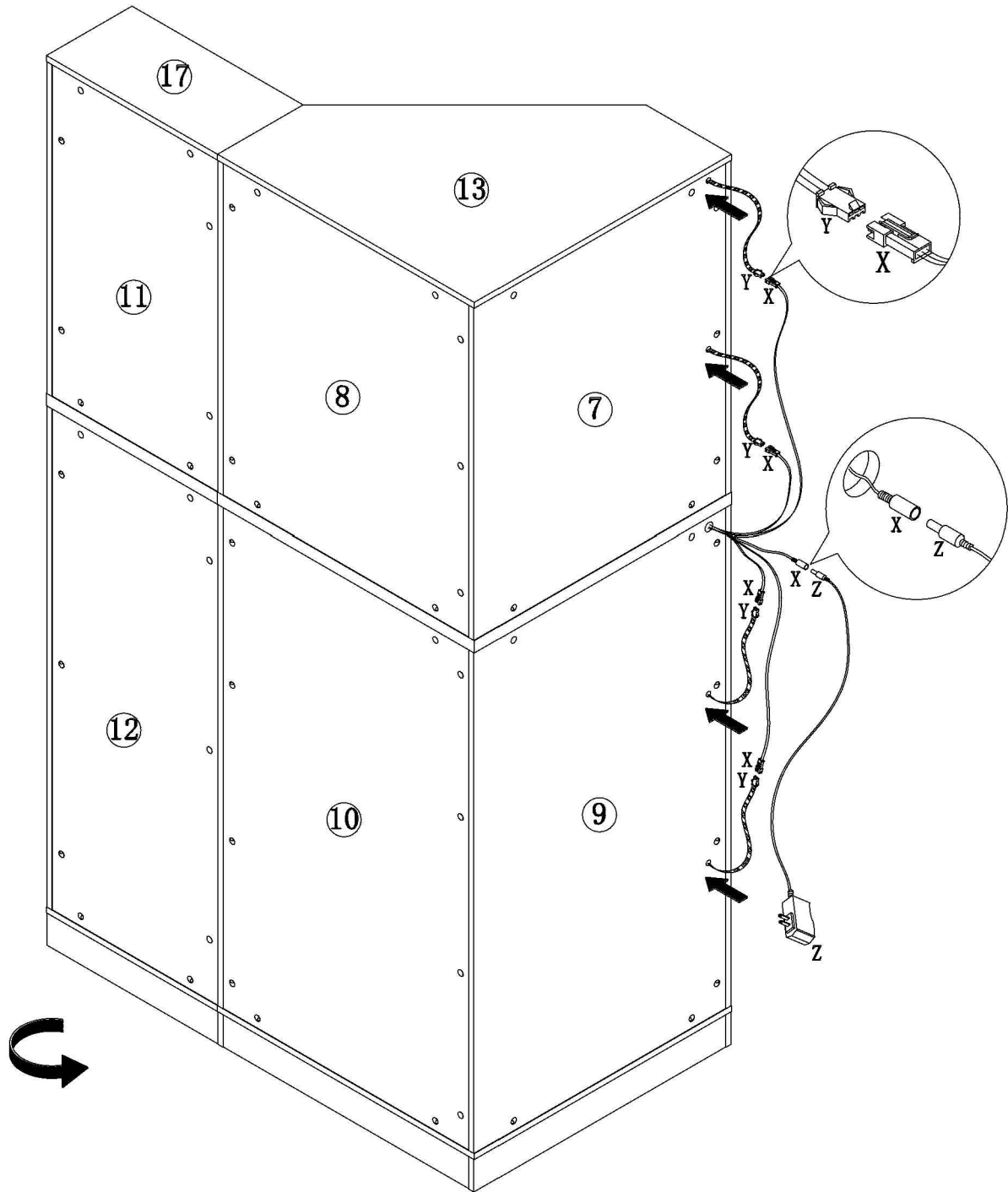




B	x5
	
φ12*10mm	

43

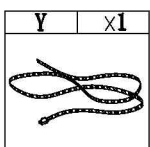
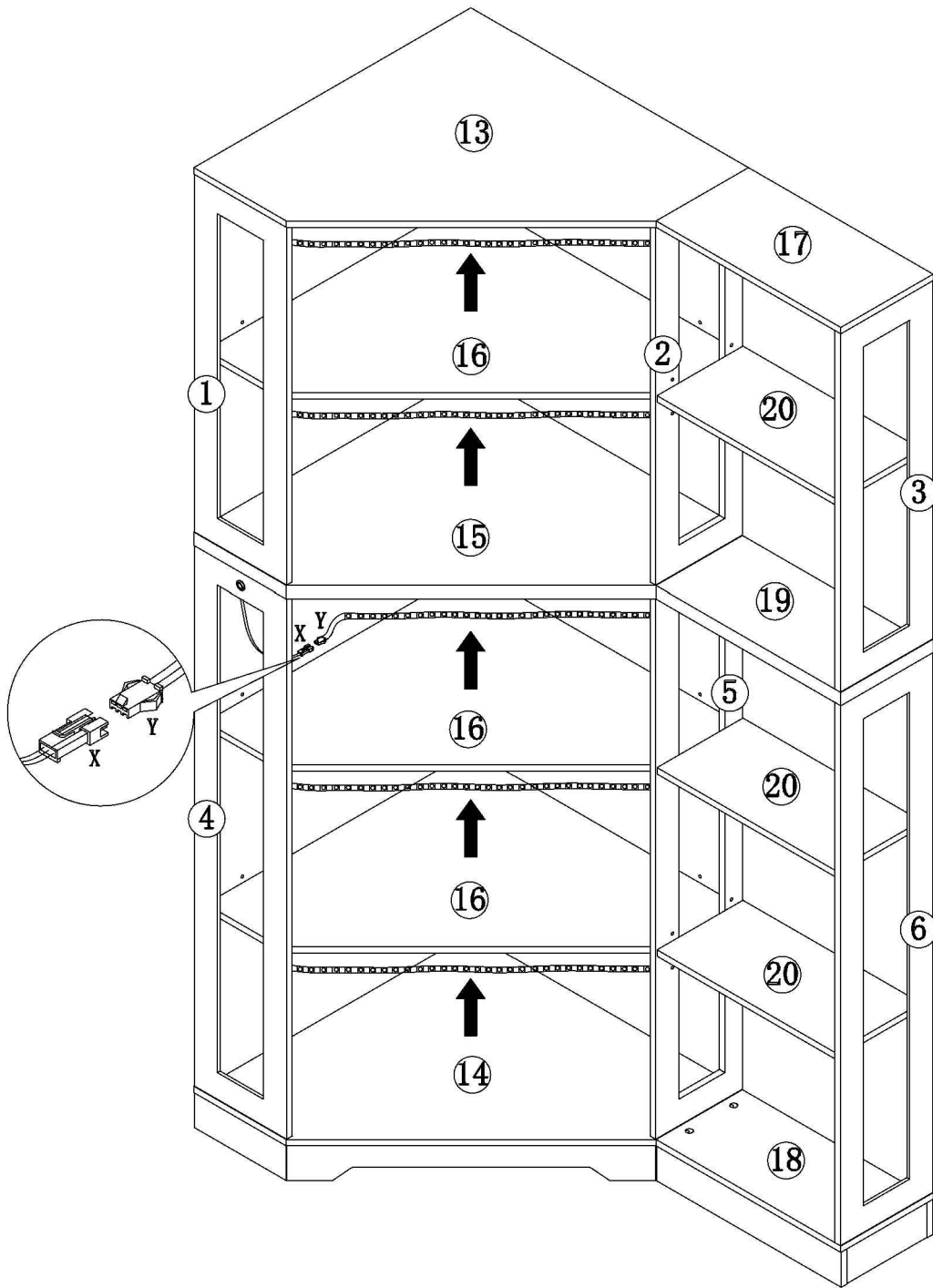


44



Y	x4	Z	x1
			

45



46

