

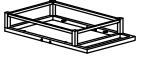

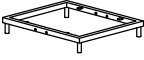
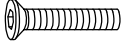




### Care and Maintenance

Dust with a soft, dry cloth. Do not use abrasive cleaner. To clean mirror, spray a small amount of glass cleaner onto a lint-free cloth and wipe mirror clean.

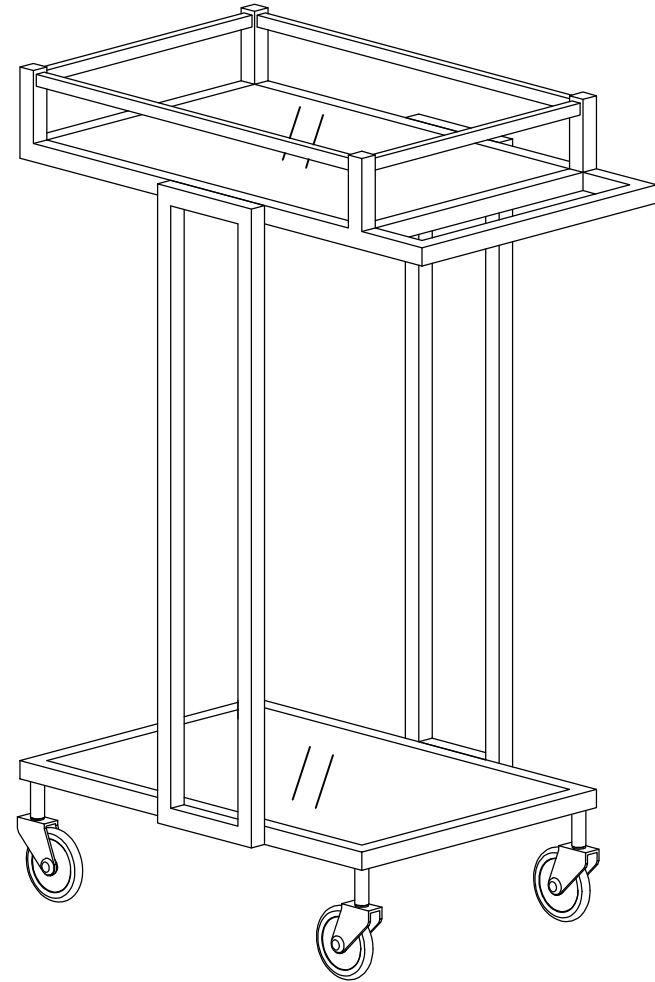
### Notice

- \* Please make sure that you have all parts indicated before you begin assembly of this item.
- \* This item should be assembled on a soft surface to prevent scratching the finish during assembly
- \* This item may require periodic tightening

### Part List and Hardware List

PIECE	DESCRIPTION	PICTURE	QUANTITY	PIECE	DESCRIPTION	PICTURE	QUANTITY
A	Top Rail Frame		1X	E	Allen wrench		1X
B	Bottom Frame		1X	F	Bolt		8X
C	Side Frame		2X	G	Pad		8X
D	Mirror		2X	H	Wheel		4X

Product Dimensions:29"L x 16.54"D x 34.65"H



WEIGHT CAPACITY: 22LBS

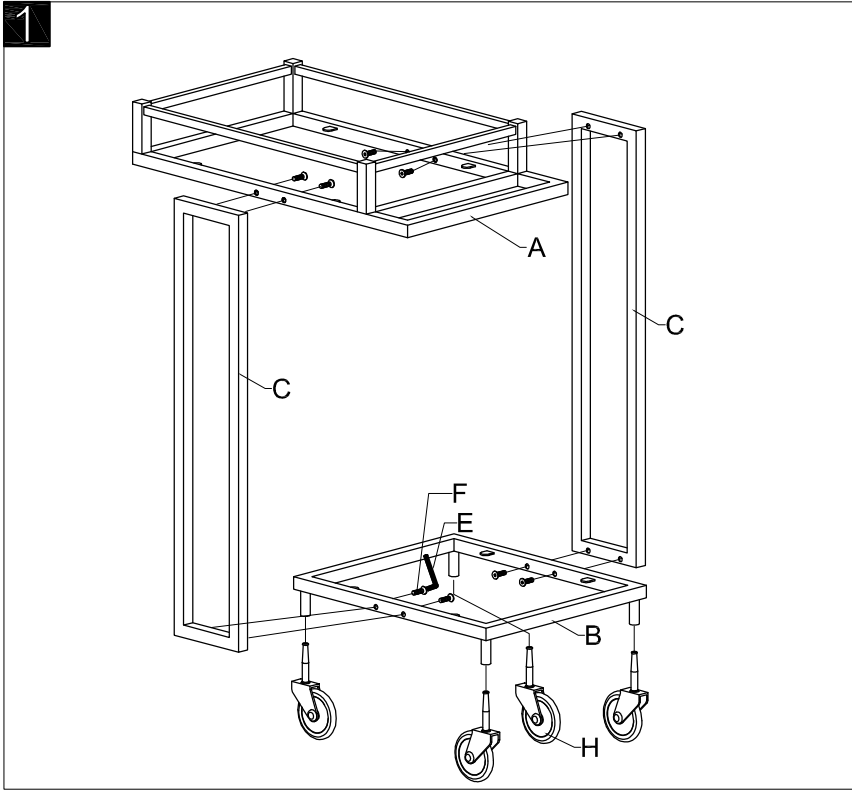
## Preparation

Before beginning assembly of product, make sure all parts are present. Compare parts with package contents list and hardware contents list.

If any part is missing or damaged, do not attempt to assemble the product.

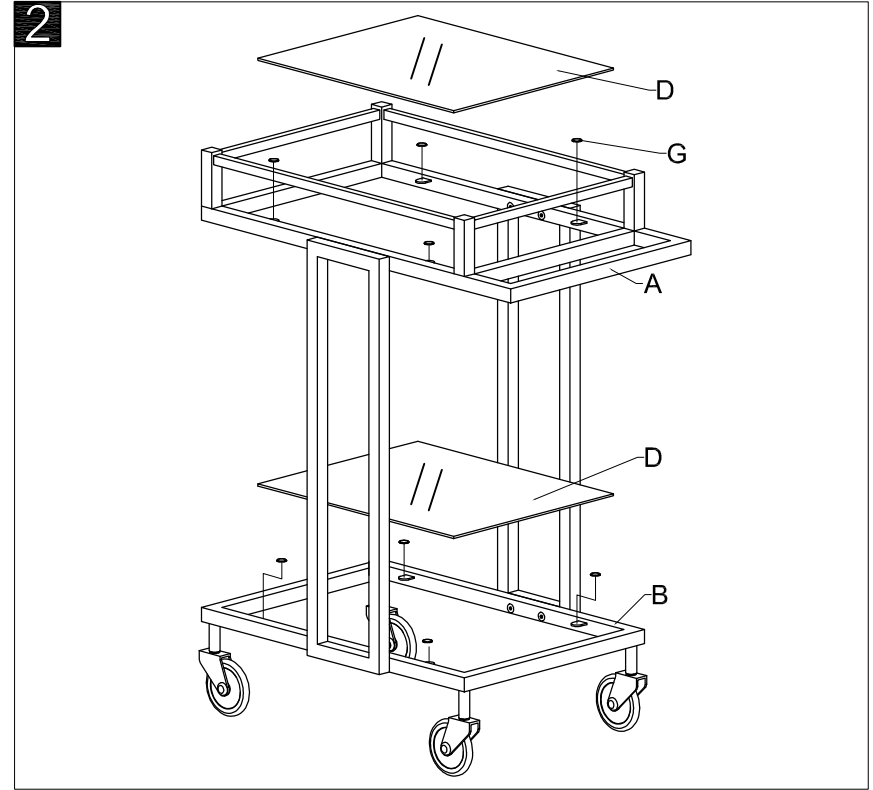
Estimated Assembly Time: 30 minutes.

Tools Required for Assembly (included): Assembly Fininal



### Step 1

Assemble side frame (C) to top handle frame (A) and bottom frame (B) with bolt (F) by use of Allen wrench (E) and tighten up. Then insert wheel (H) into the holes on bottom frame (B) as shown in drawing.



### Step 2

Put pad (G) onto the tabs inside the top handle frame (A) and bottom frame (B) as shown in drawing. Then place mirror (D) onto the top handle frame (A) and bottom frame (B).