




MANICURE TABLE

MANICURE TABLE



	<p>Warning-To reduce the risk of injury, user must read instructions manual carefully.</p>
 	<p>Wear eye protection.</p> <p>Wear protective gloves</p>

Safety Warnings and Precautions

Thank you for using this product. In order to make sure that you can operate the machine correctly, read this instruction carefully before operation and keep it properly for future reference. Please be sure to read the precautions and safety rules in this page to ensure your safe use. This manual will outline safety warnings and precautions, operating, maintenance and cleaning. The warnings and instructions reviewed in this manual cannot cover all possible conditions and situations that may occur. Caution and common sense are not built into this product, since we believe that the uses will comply with these codes.

Please read ALL the instructions before using your machine.

1. Assemble needs to follow these instructions. Incorrect assembly can be a hazard.
2. Wear safety goggles and heavy-duty work gloves during assembly.
3. Do not assemble when tired or when under the influence of alcohol, drugs or medication.
4. Weight and other product properties only apply to correctly and completely assembled products.
5. Keep the assembly area clean and well-lit.
6. Keep bystanders out of the area during assembly.
7. This product is not a toy. Do not allow children and pets to play with or approach this item.
8. Use as intended only. Do not sit or stand on the product.

9. Inspect before every use. Do not use it if parts are loose or damaged.
10. For indoor use only.
11. Do not exceed the listed weight capacity. Tighten all knobs securely before applying load. Be aware of dynamic loading! The sudden load movement may briefly create an excess load, causing product failure.
12. Do not apply this unit to any other purposes than the indicated usage.
13. Do not use it outdoors or for commercial purposes. INDOOR USE ONLY.
14. DO NOT CLEAN IT WITH ANY ABRASIVE MATERIAL.
15. Never leave it unattended while in use.
17. Pay attention to hand injuries caused by door pinching!
18. Do not place the product on or near hot air, electric burners or heaters.
19. Do not place in a damp environment.
20. The product should be placed on a flat surface.



WARNING: 21. Placing items that are too hot or too cold on the glass can cause it to burst. Note that glass will burst upon impact!

22. This appliance is not intended for use by young or infirm persons unless supervised by a responsible person to ensure that they can use the appliance safely. Young children should be supervised to ensure that they do not play with the product. Children and pets should stay away from the product.

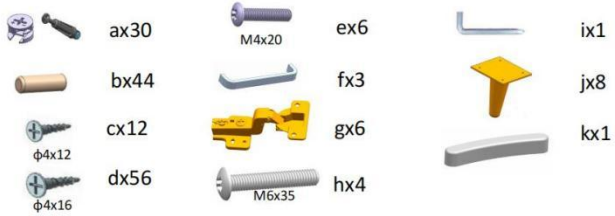
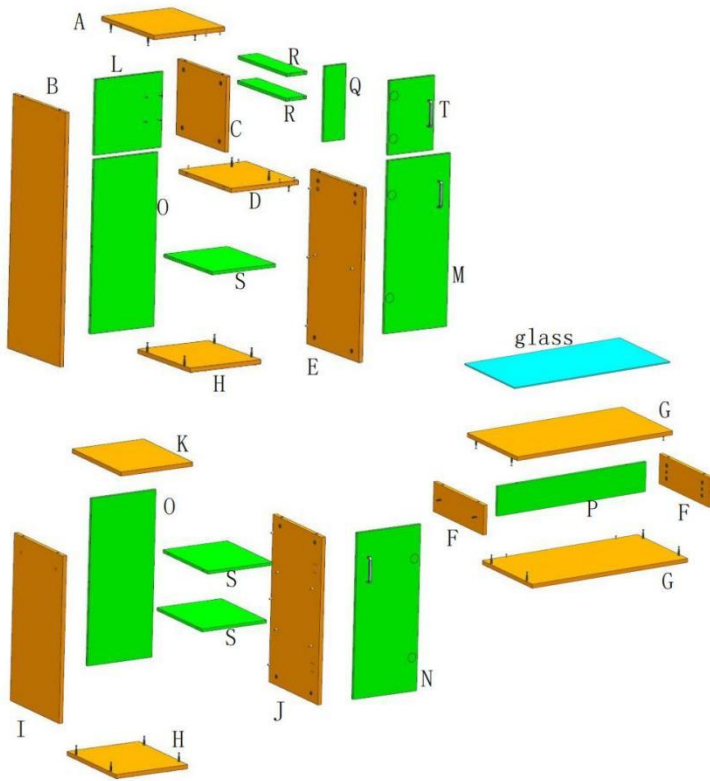
Assembly precautions

1. Please dispose of all plastic bags carefully and keep them away from children and pets.
2. Check all components provided according to the list in this manual. Make sure you have all of the parts listed.
3. Although paying particular attention when manufacturing this product, you must be careful during the assembly process to avoid being scratched by sharp edges.
4. Wear eye-protective goggles and protective gloves during assembly and use.
5. The product should be placed on a flat surface.
6. The product requires two people to assemble.
7. The product requires the use of a rubber hammer and a Phillips screwdriver (Rubber hammer and cross screwdriver need to be purchased by oneself).
8. If uneven product gaps are found, they can be disassembled and adjusted.

Part list

 **WARNING: Be careful when handling glass!**

Note: the quantity of parts shown in the manual is the actual usage and the unused parts are spare parts.

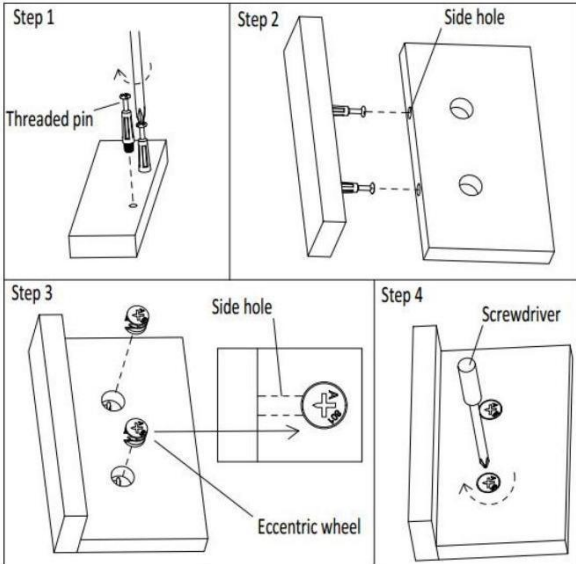


Installation instruction

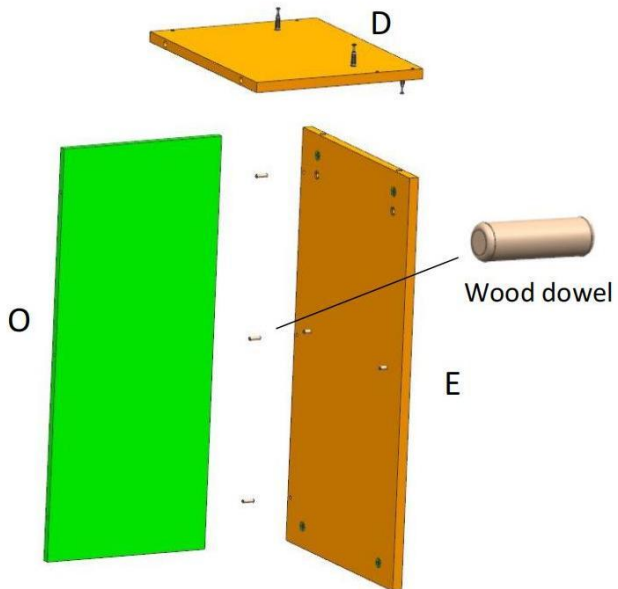
Installation Method for Connecting boards

Step 1 . Install threaded pins into the reserved plastic thread holes by screwdriver .
Step 2 .Insert the installed threaded pins into the side holes one to one .
Step 3 .Install Eccentric wheels into the larger holes of the board ,The arrow groove on the surface of the eccentric wheel must point to the side hole .
Step 4 . tighten them by cross-head screwdriver
Please follow up the Example beside.

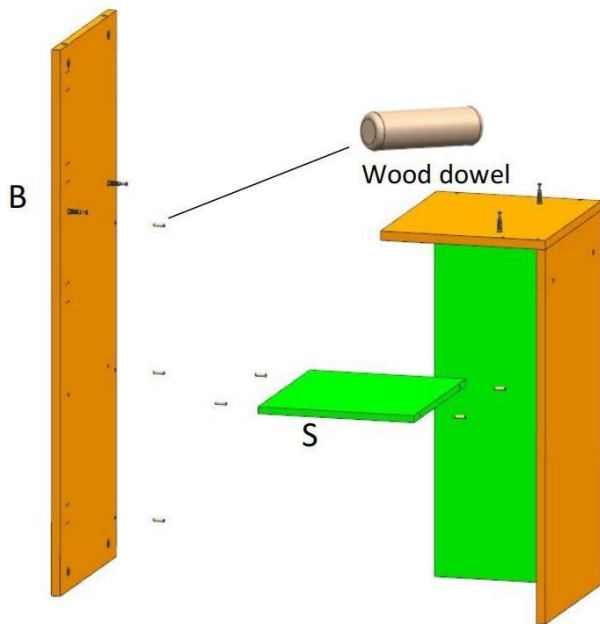
Example :



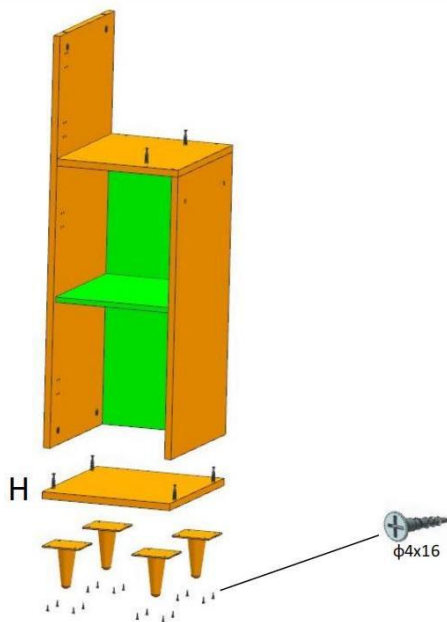
1



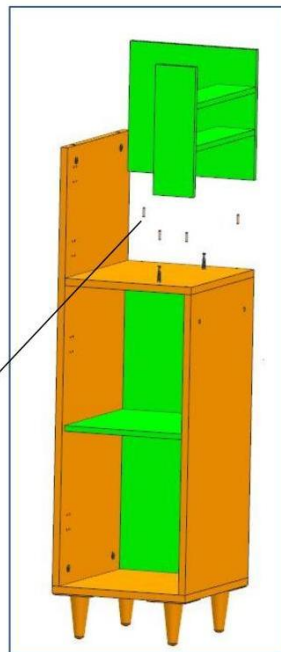
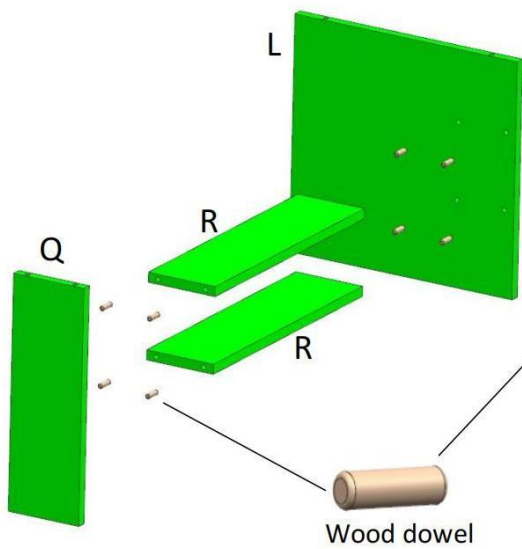
2



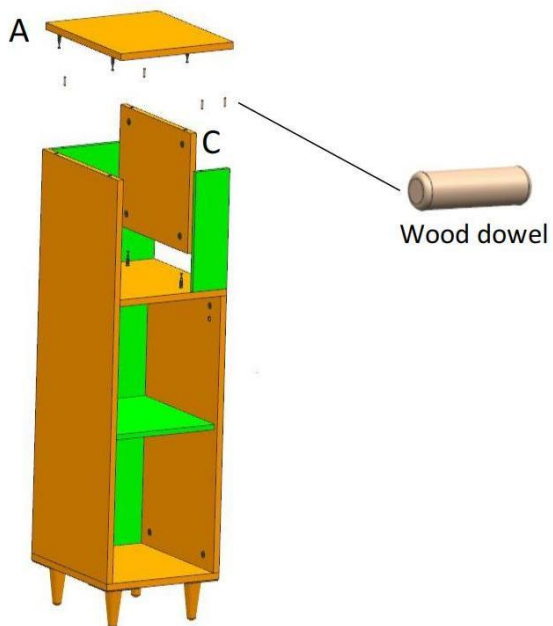
3



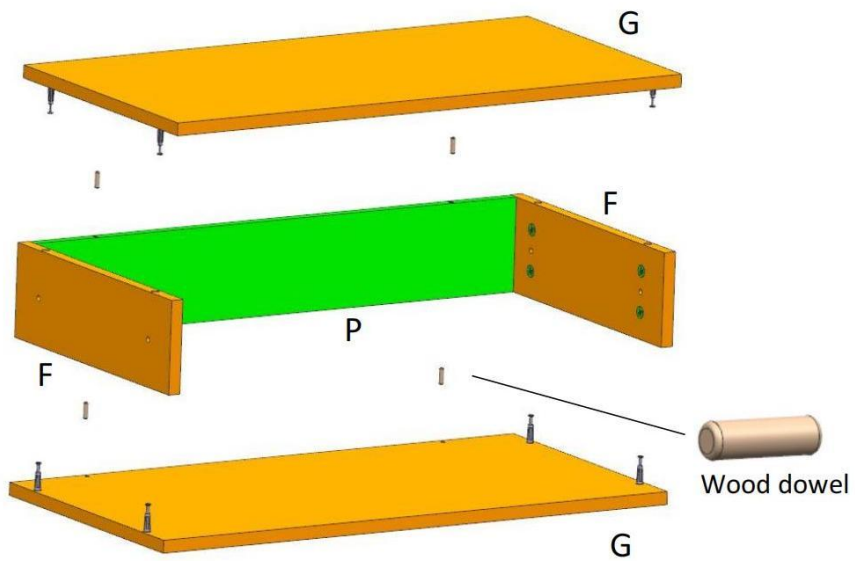
4



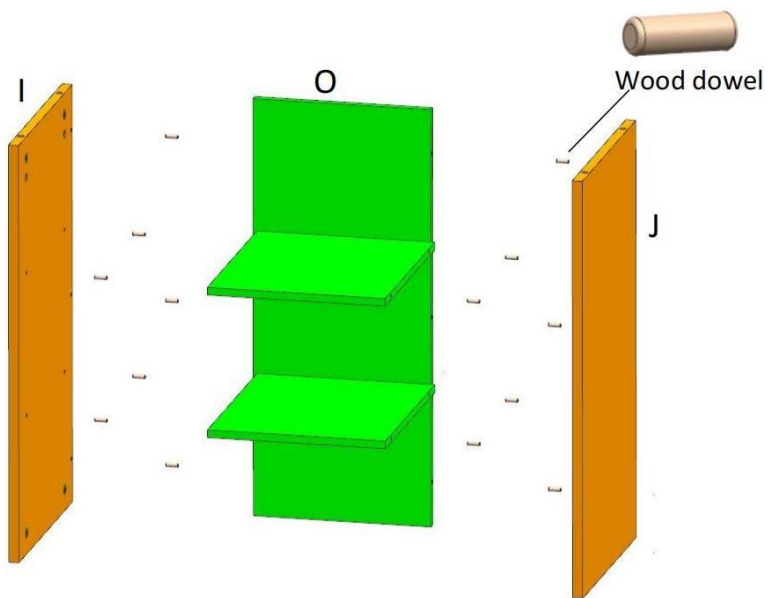
5



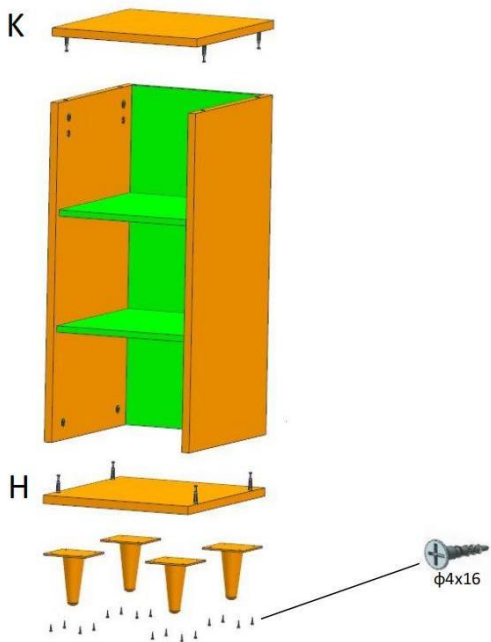
6



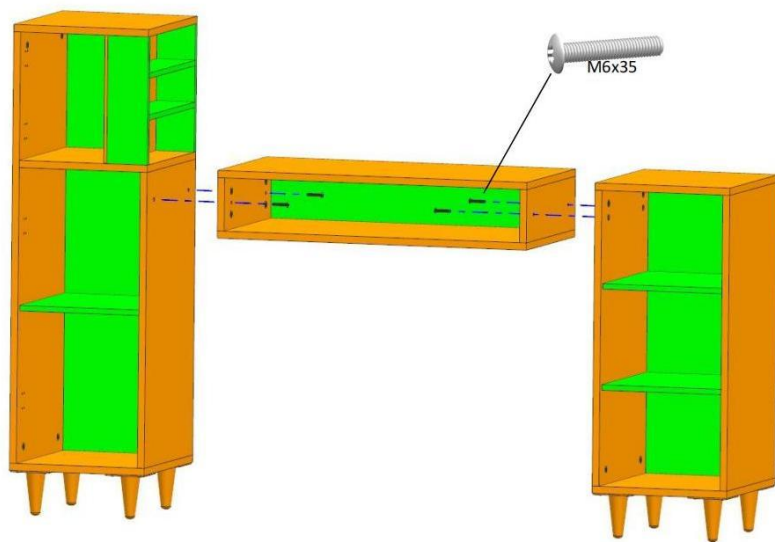
7

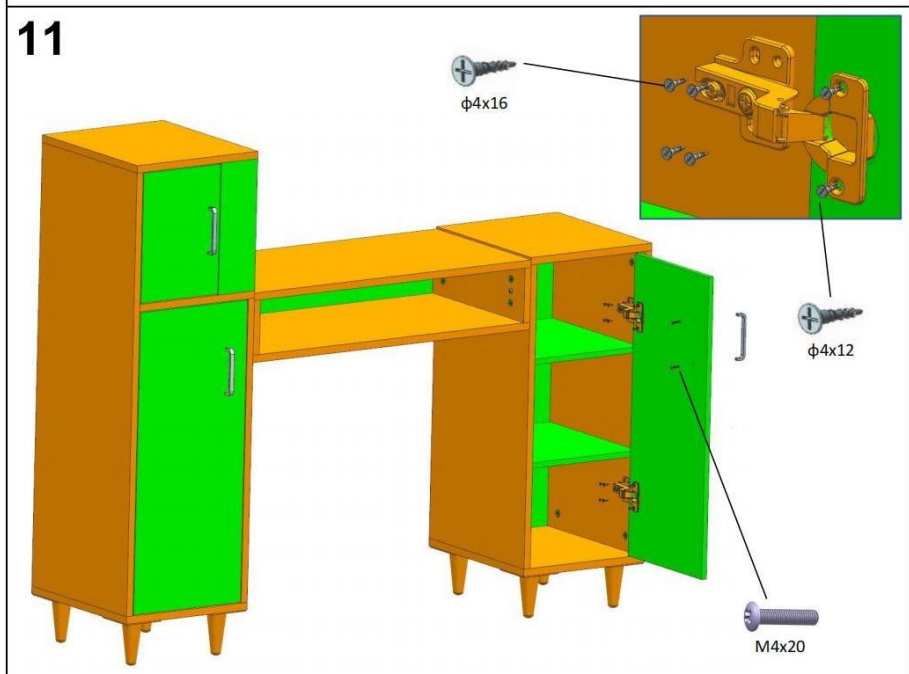
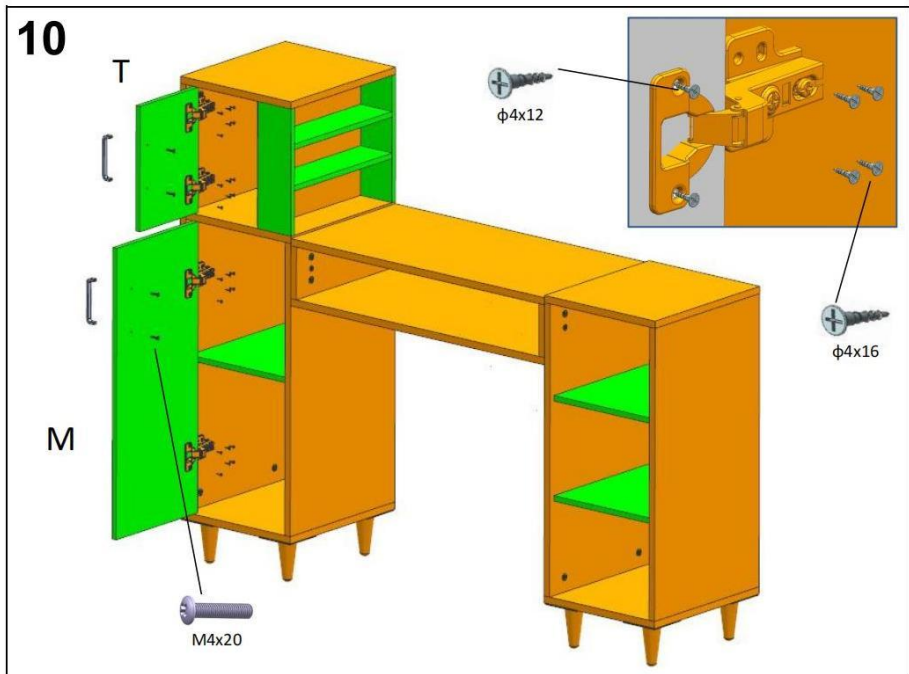


8




9





12

 **WARNING:** Placing items that are too hot or too cold on the glass can cause it to burst. Note that glass will burst upon impact!



Notice: Please adjust the height of the laminate according to the usage needs.

CLEANING AND STORAGE

1. Wipe with a soft, dry cloth. Never use an abrasive cleanser or harsh pad. Do not clean with water or other liquids.
2. Be sure to keep the product dry
3. Children are **not allowed** to wipe the product to avoid tipping and falling injuries.
4. Regularly adding industrial grease to the door spindle can reduce noise and extend service life.

TIPS:

5. Adding PVC pads for easy cleaning.