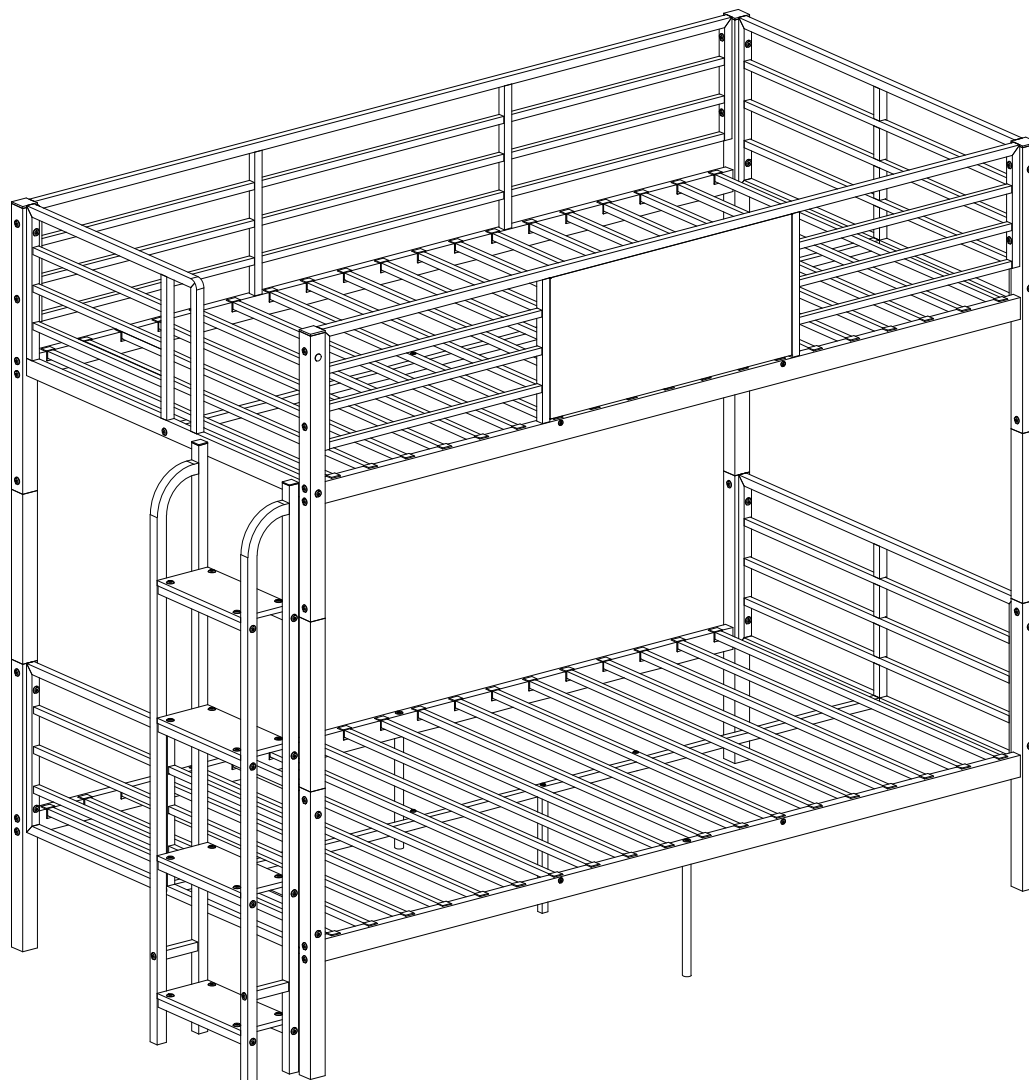


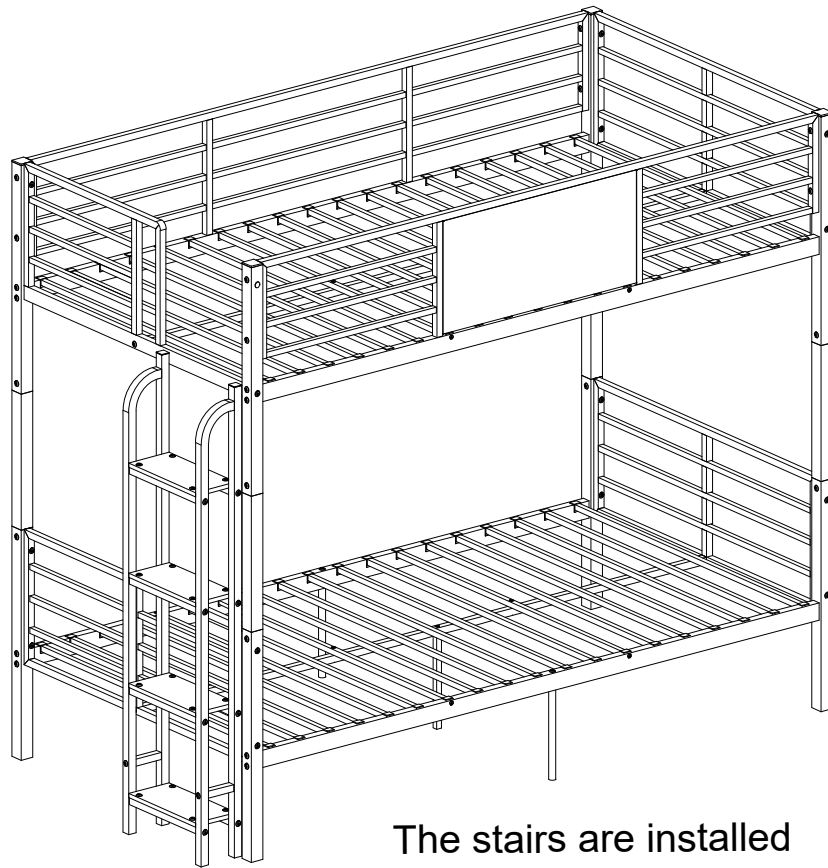
ASSEMBLY INSTRUCTION

12-A

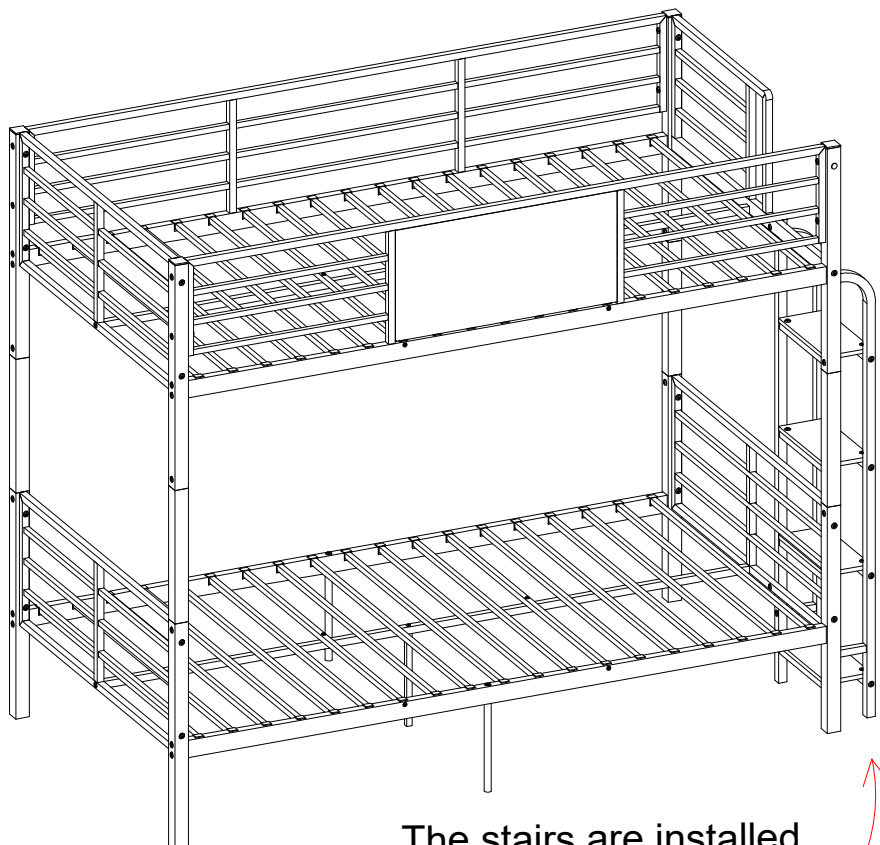


IMPORTANT NOTE

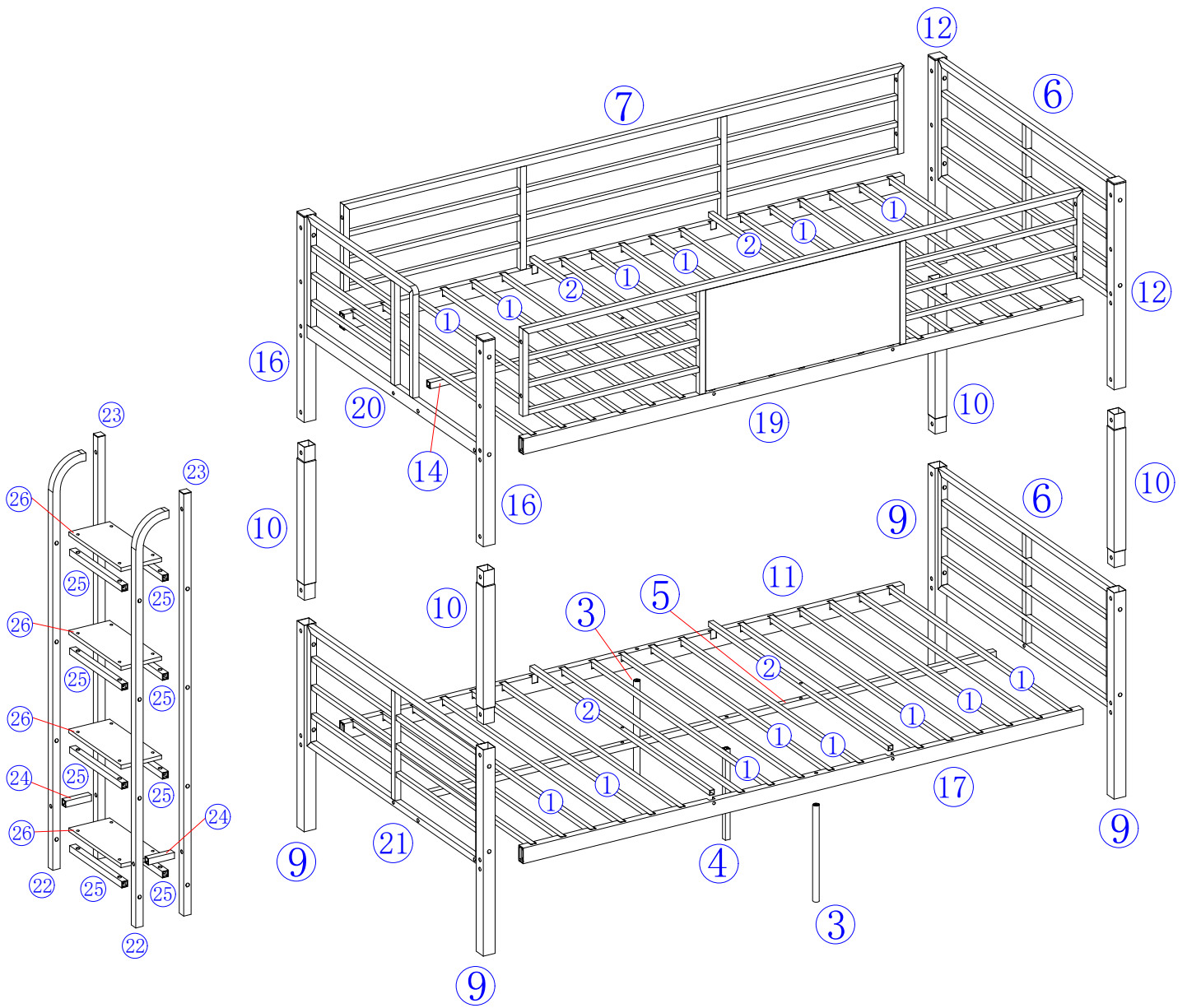
1. Please check that all parts are complete before installation.
2. Please strictly follow the installation steps to install.
3. Please install the bed on a clean and smooth surface to prevent any damage
4. Please do not use the power tools to assemble the bed.
5. Please periodically check all the fittings and re-tighten as necessary.
6. Please do not use the bed unless all bolts and screw are firmly secured
7. Note: Distinguishing between the numbers 6 and 9 is different, with the number 9 underlined; Please tighten all screws by 60% first, and then tighten them by 100% after installation is complete.



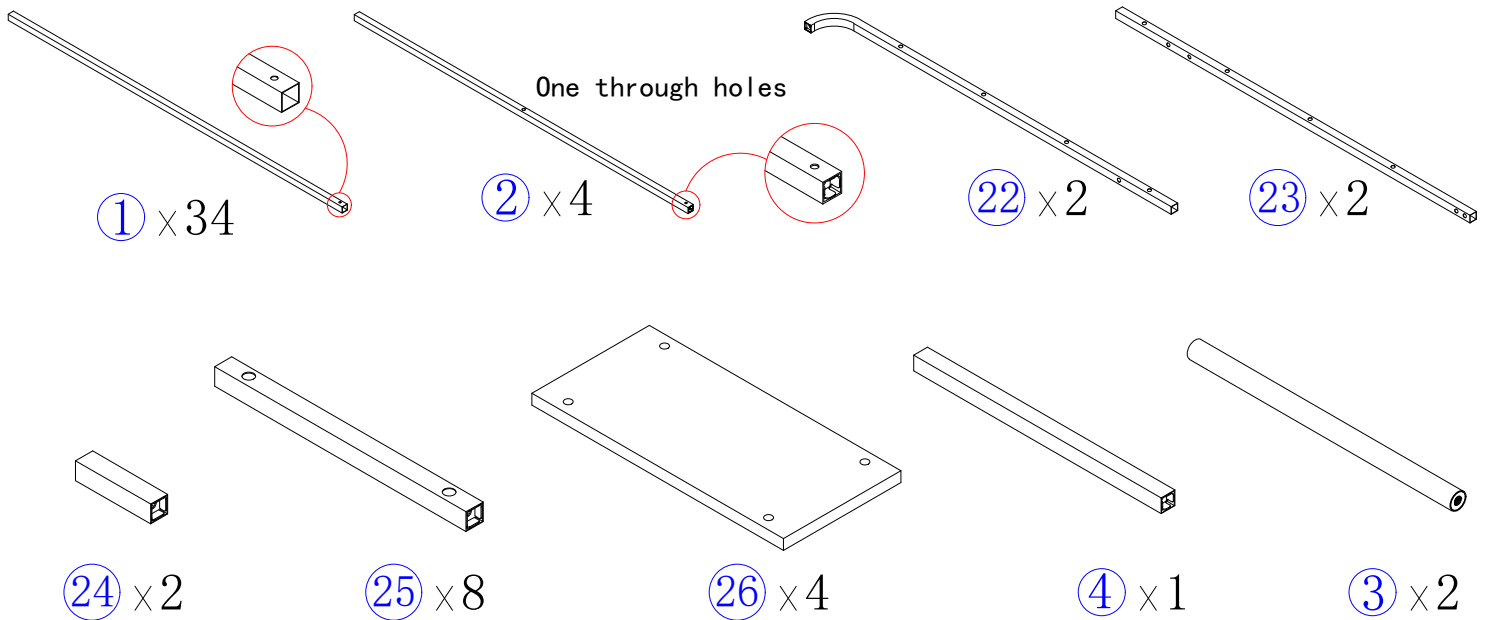
The stairs are installed
in the left direction.



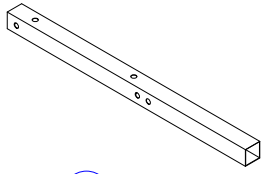
The stairs are installed
in the right direction.



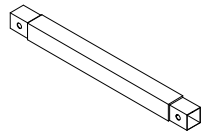
Components



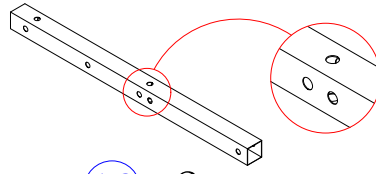
Components



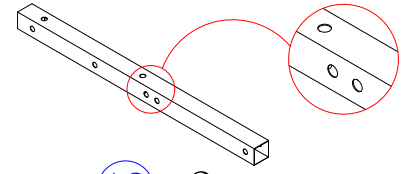
⑨ × 4



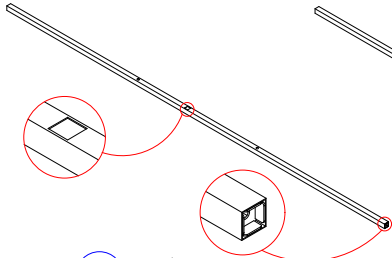
⑩ × 4



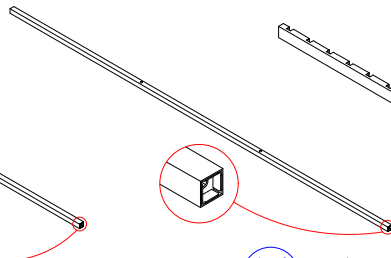
⑯ × 2



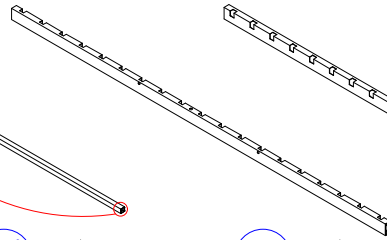
⑫ × 2



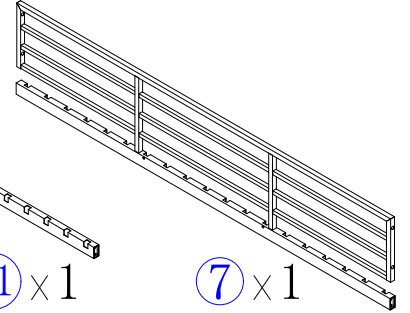
⑤ × 1



⑭ × 1

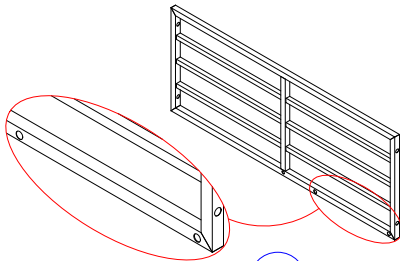


⑰ × 1

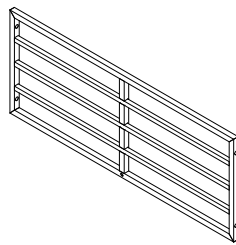


⑪ × 1

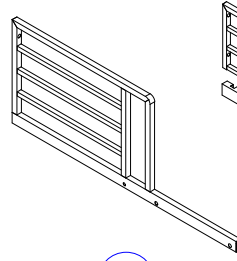
⑦ × 1



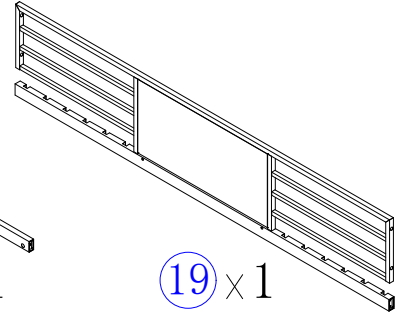
⑳ × 1



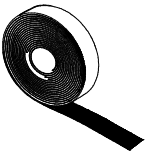
⑥ × 2



⑳ × 1



⑱ × 1



⑮

Hardwares



M8*60mm

① × 18



M8*50mm

② × 21



M8*40mm

③ × 30



M8*30mm

④ × 8



M8*20mm

⑤ × 18



M8*25mm

⑥ × 29



M6*30mm

⑦ × 5



M6*40mm

⑧ × 8



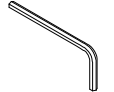
M6*12mm

⑨ × 4



4#

⑩ × 2



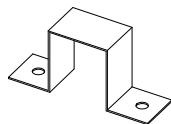
5#

⑪ × 2



M6*35mm

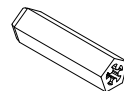
⑫ × 4



⑬ × 2



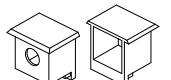
⑭ × 4



⑮ × 4

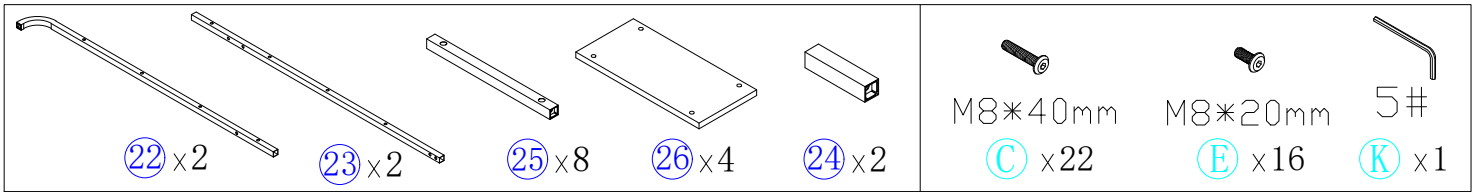
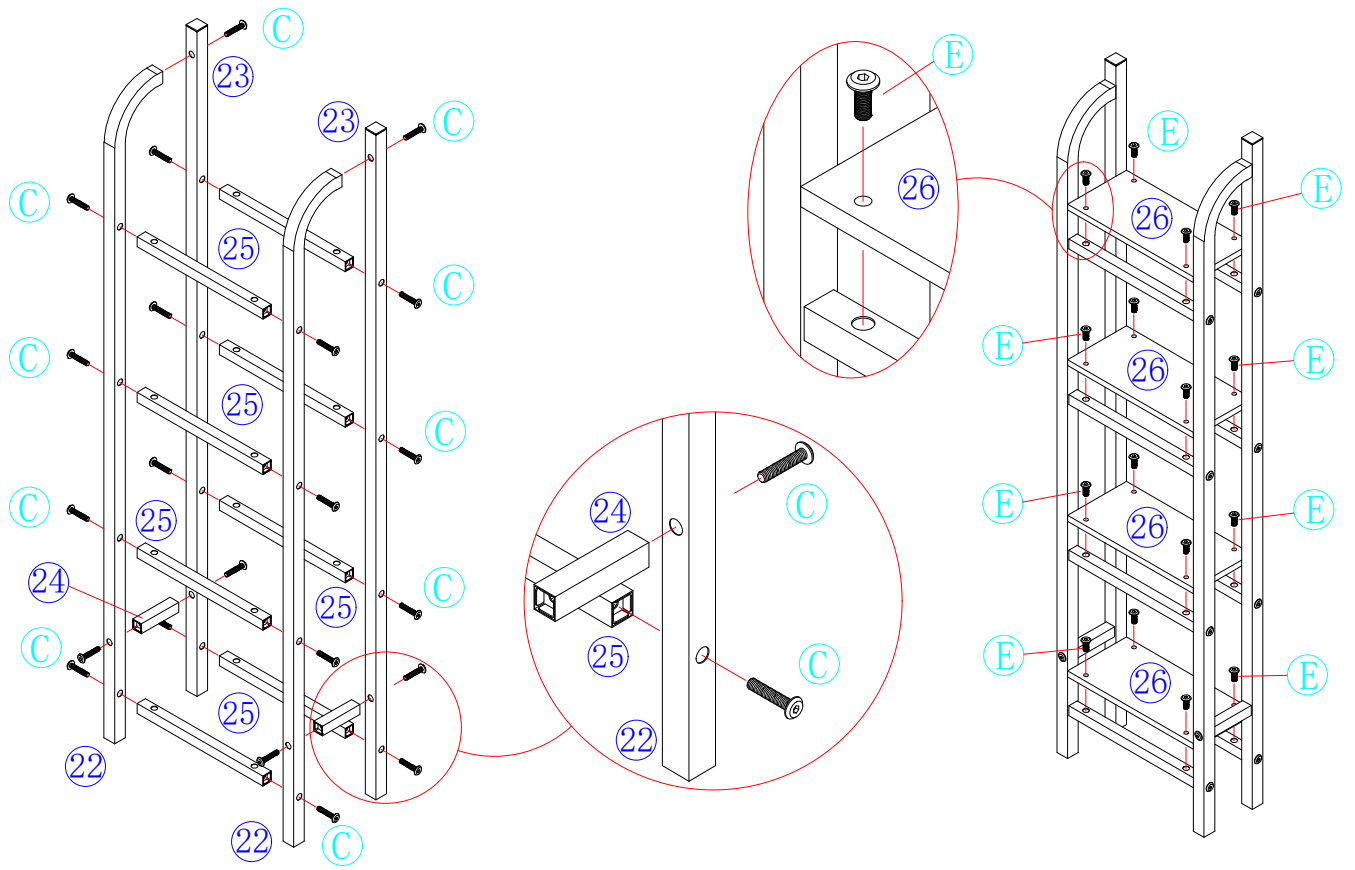


⑯ × 2

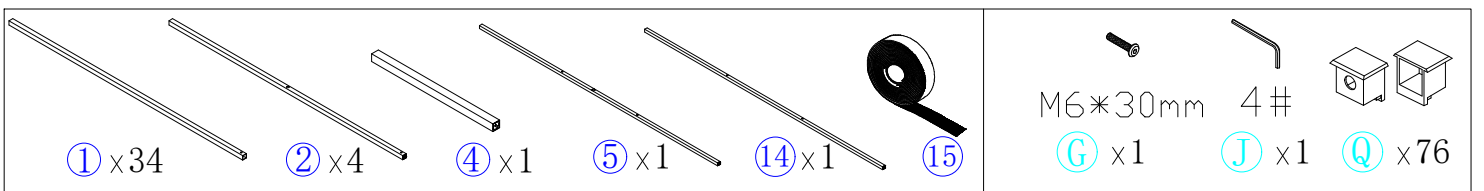
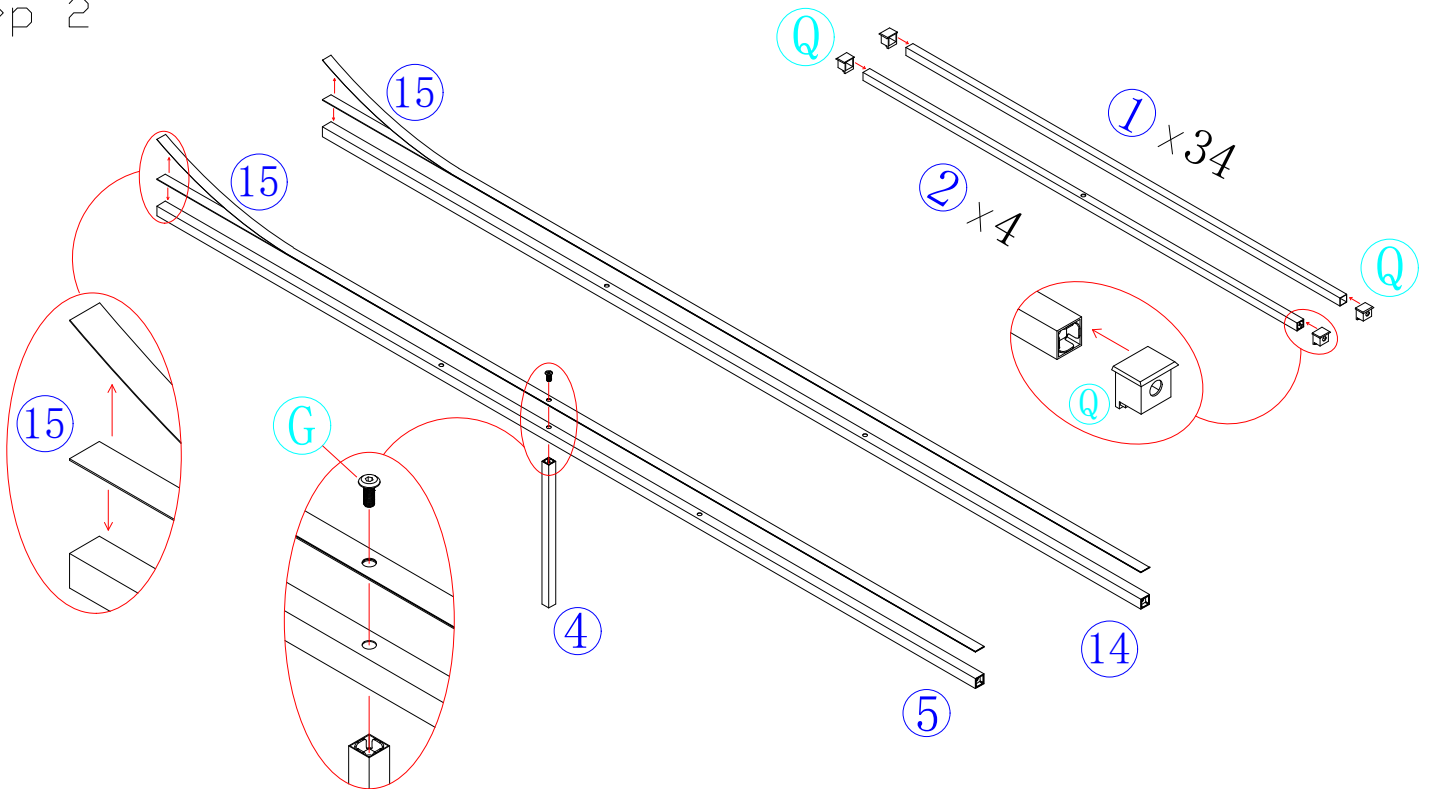


⑰ × 76

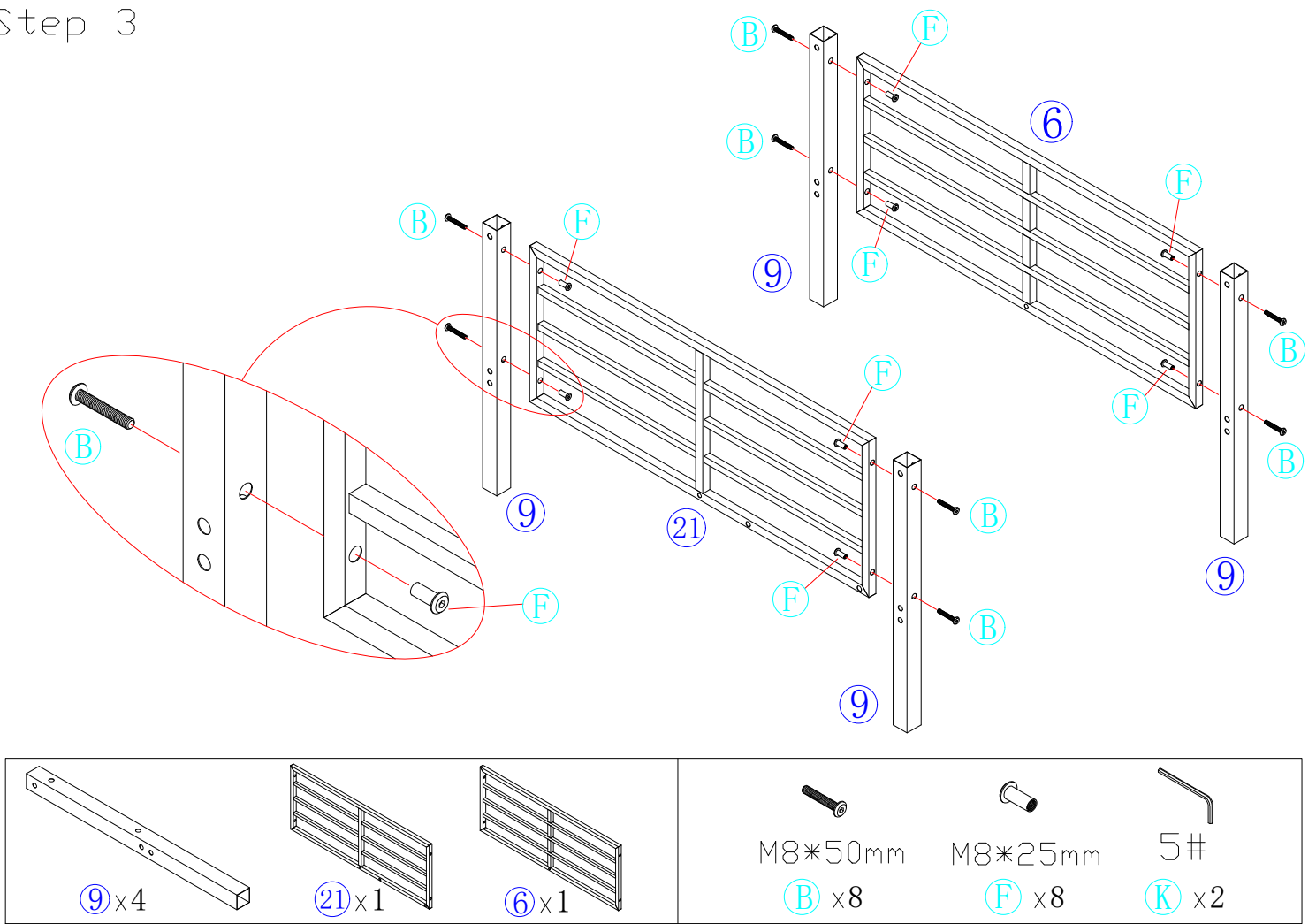
Step 1



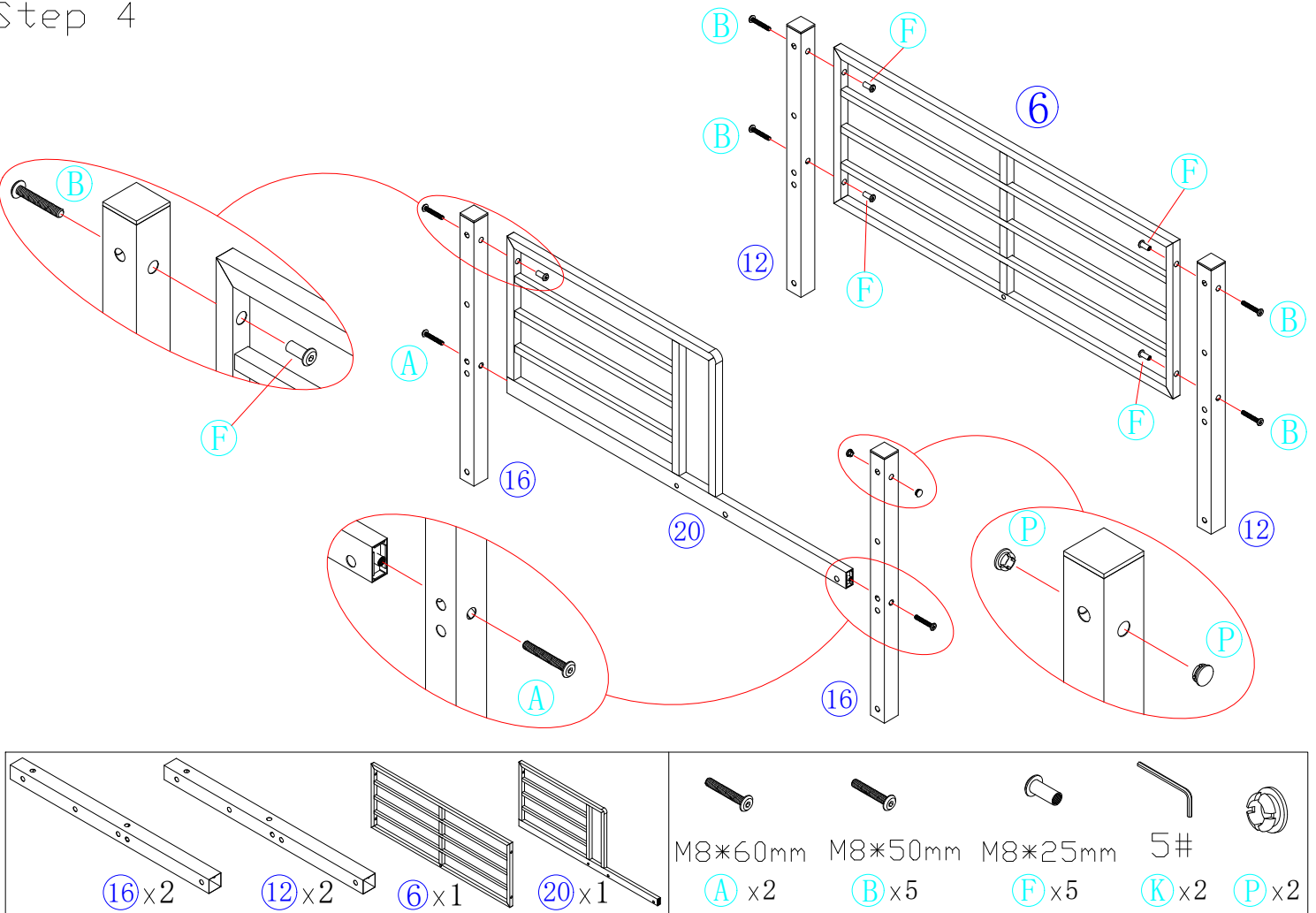
Step 2



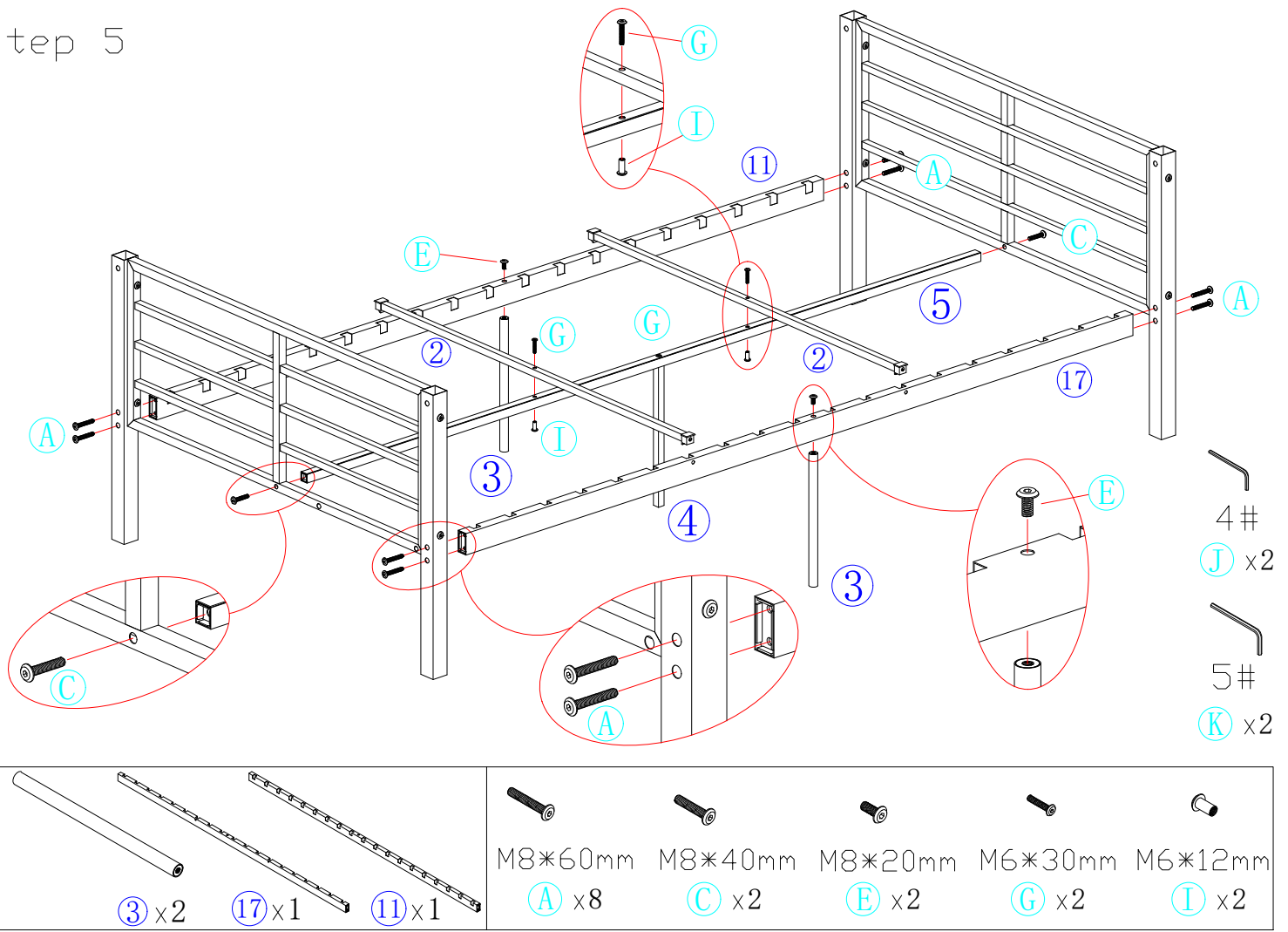
Step 3



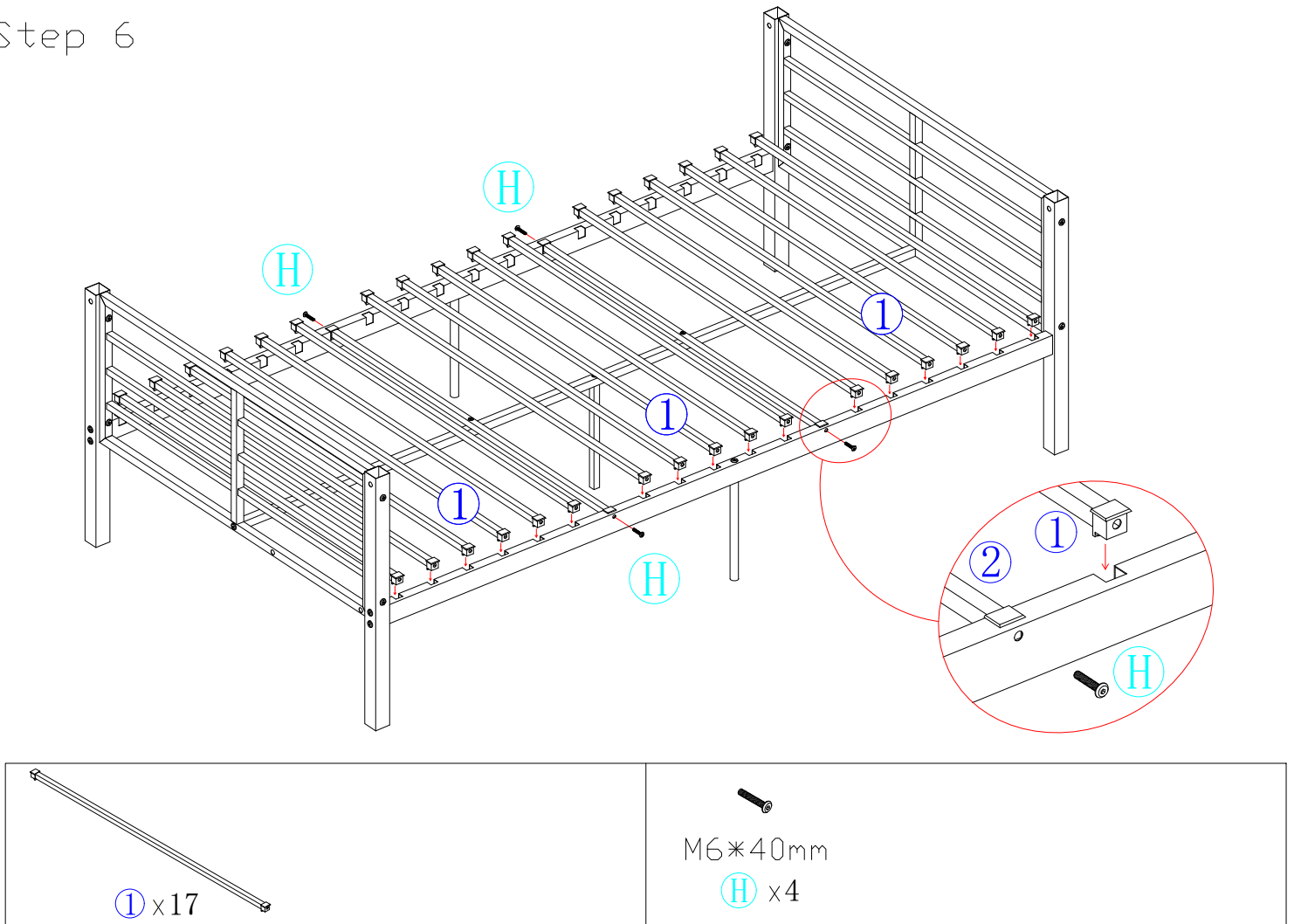
Step 4



Step 5

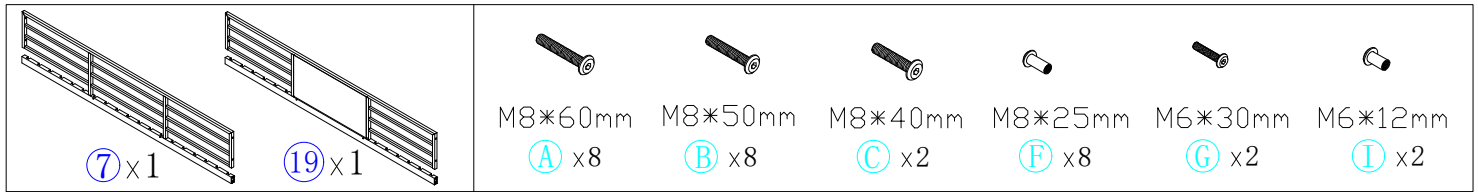
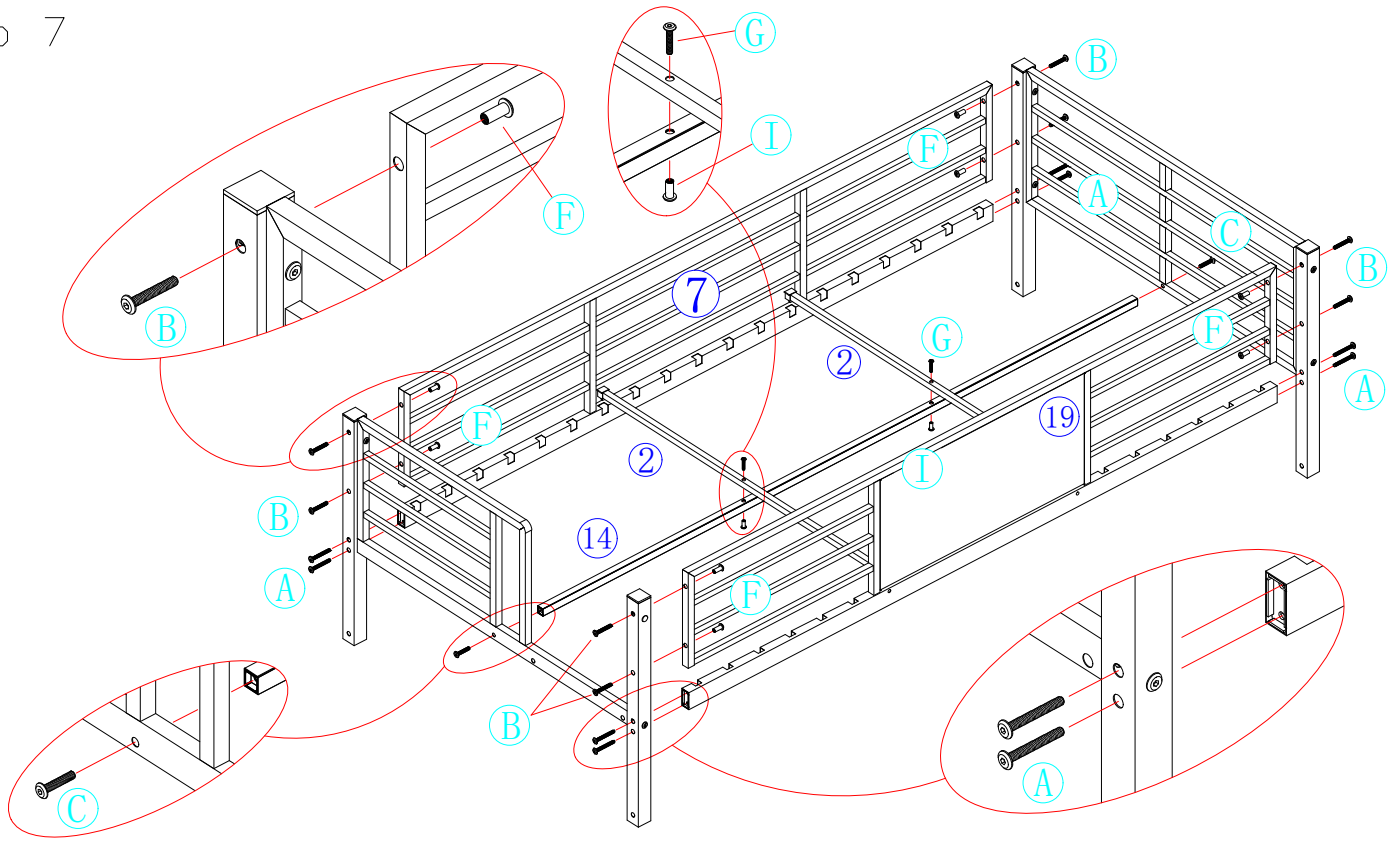


Step 6

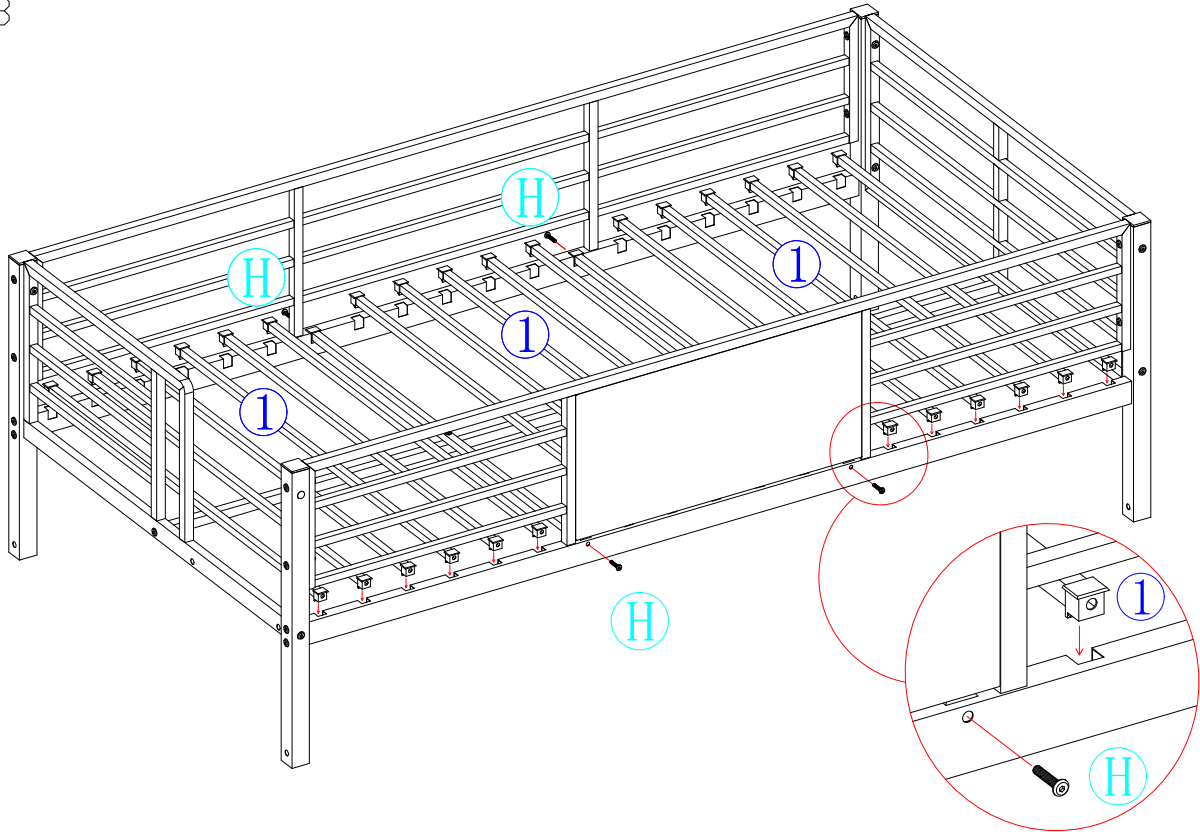


Step 7

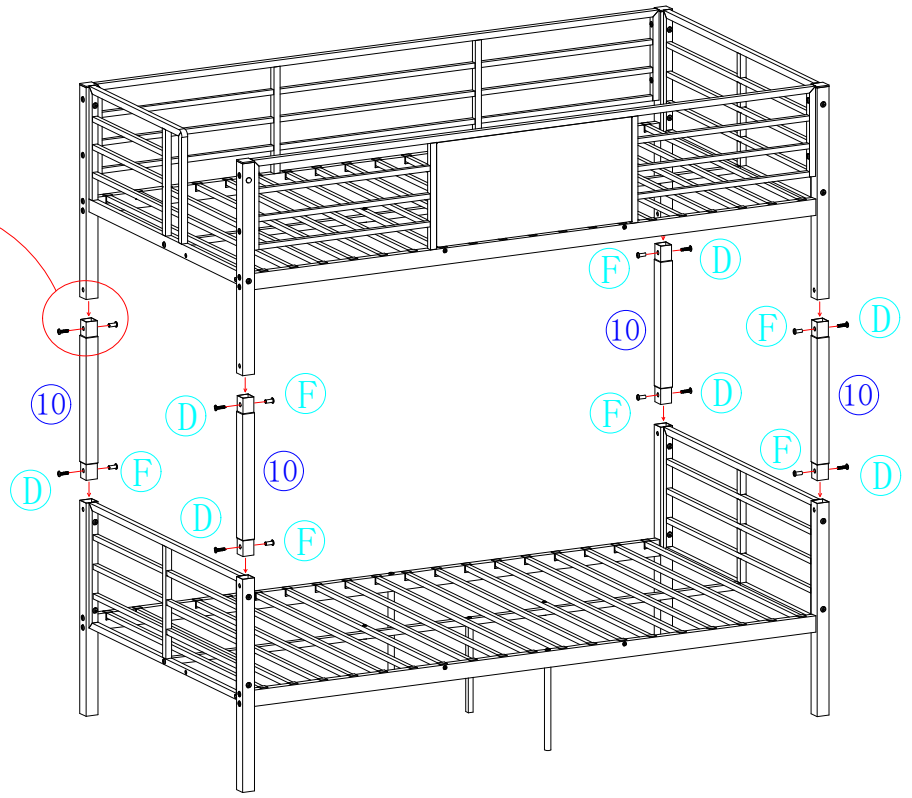
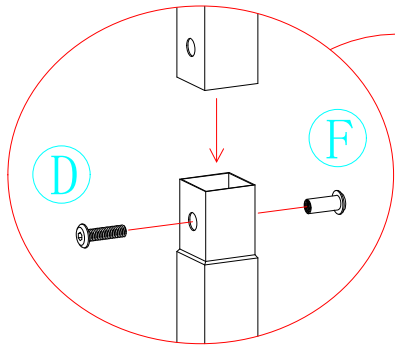
-  5#
K x2
-  4#
J x2



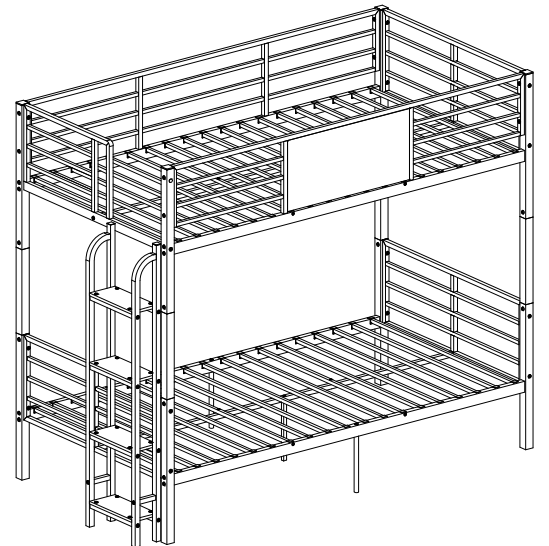
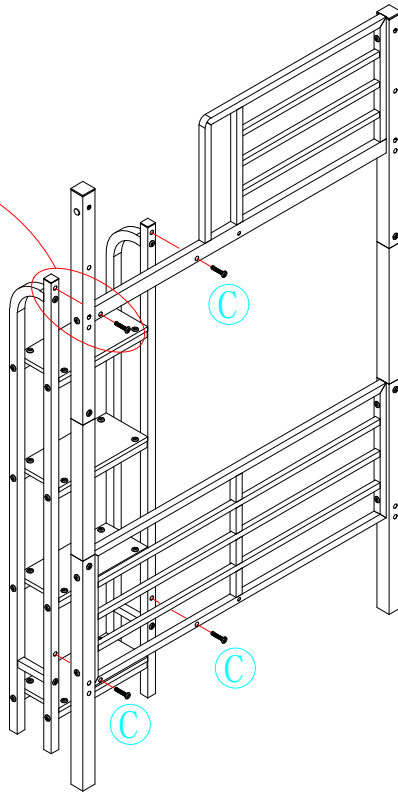
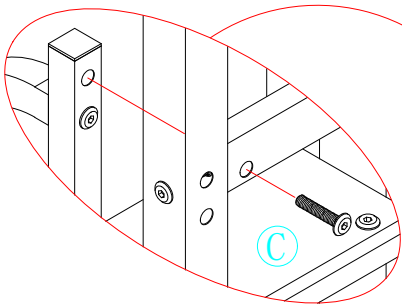
Step 8



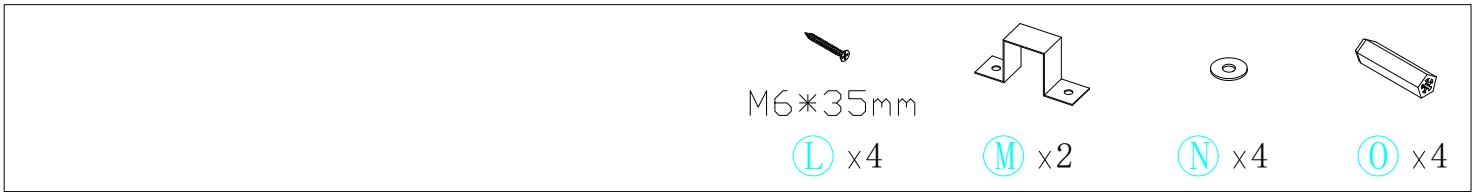
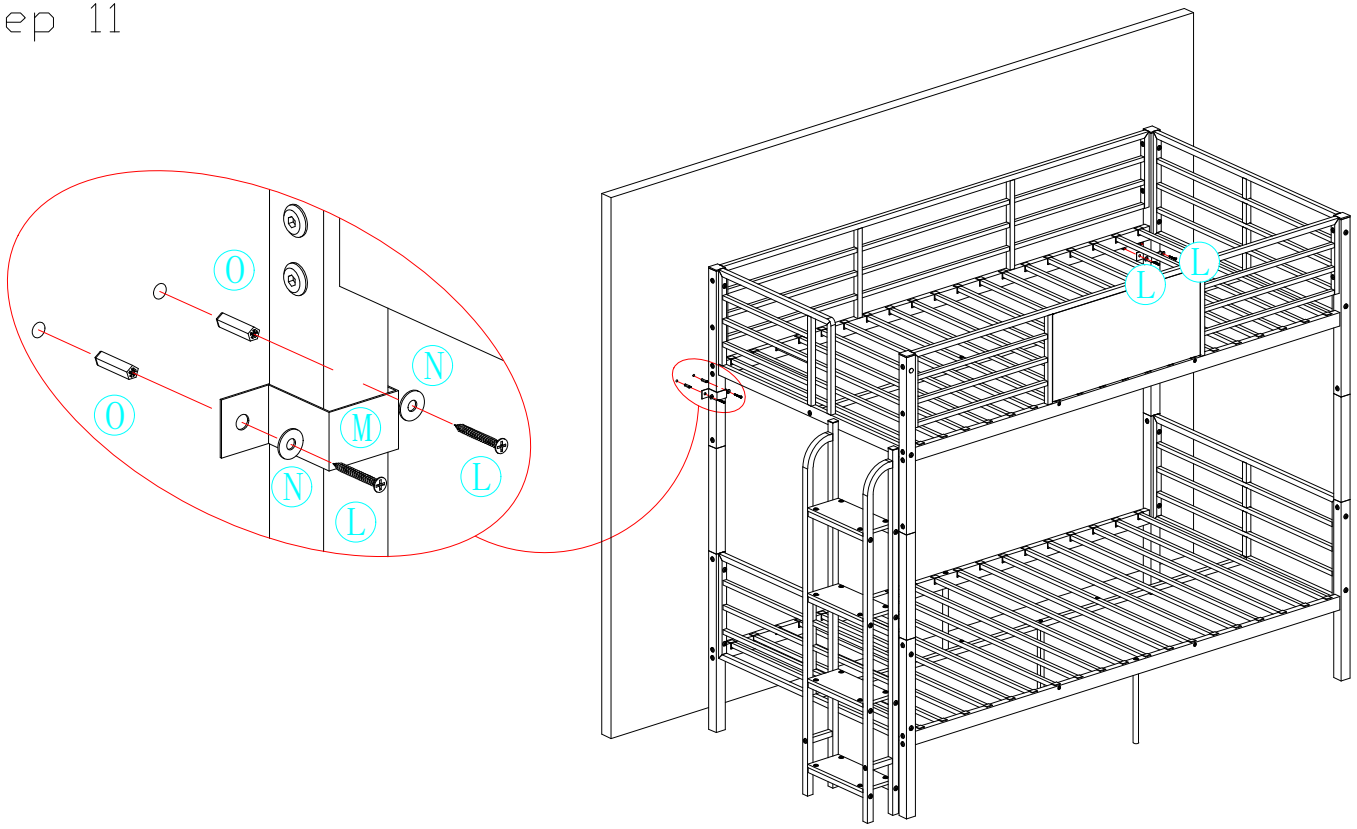
Step 9



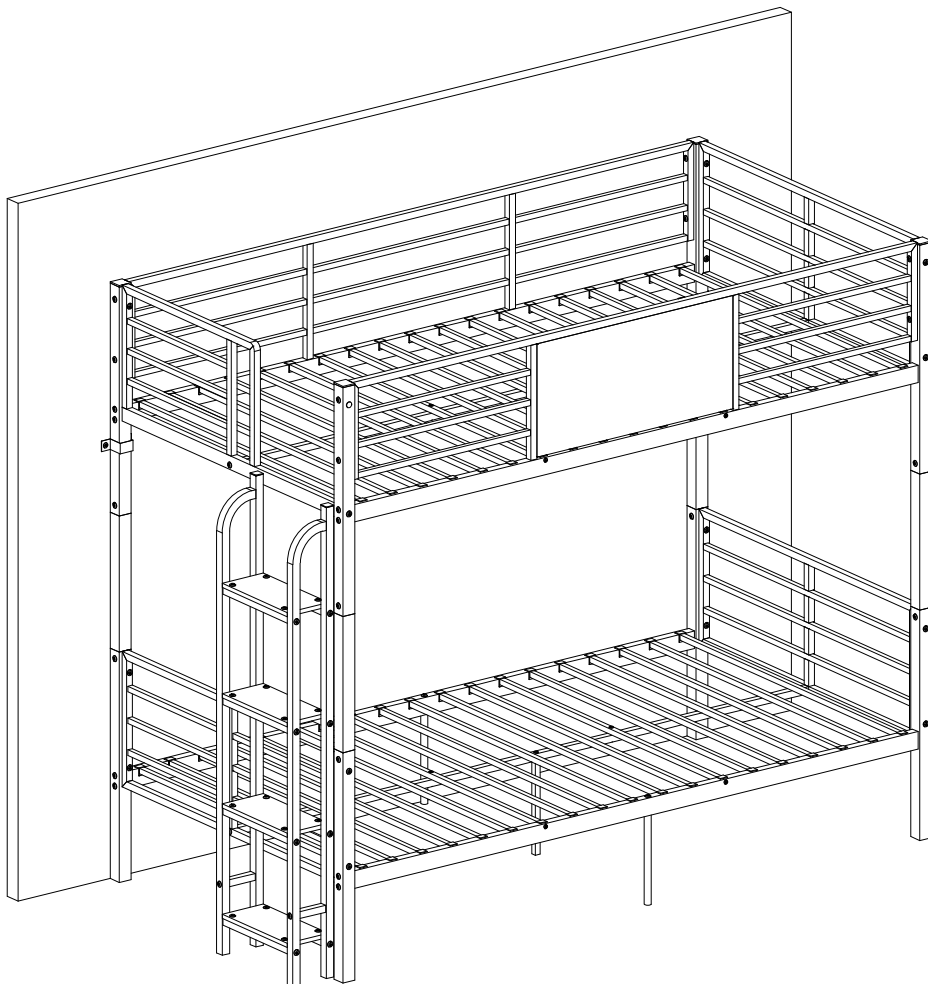
Step 10



Step 11



Step 12



BUNK-BED ASSEMBLY INSTRUCTIONS

SAFETY WARNINGS AND GENERAL NOTES:

1. Follow the information on the warnings on the bunk bed end structure and on the carton. Do not remove the warning label from the bed.
2. Always use the recommended size mattress support, or both, to help prevent the likelihood of entrapment or falls.
3. Do not allow children under 6 years of age to use the upper bunk.
4. Periodically check and ensure the guardrail, ladder and other components are in their proper position, free from damage, and all connectors are tight.
5. Do not allow horseplay on or under beds.
6. Always prohibit jumping on the upper bunk.
7. Prohibit more than one person on the upper bunk.
8. Always use the ladder for entering and leaving the upper bunk.
9. Do not use substitute parts. Contact the manufacturer or dealer for replacement parts.
10. Use of a night-tight may provide added safety precaution for a child using the upper bunk.
11. Always use guardrails on both long sides of the upper bunk.
12. If the bunk bed will be placed next to a wall, the guardrail that runs the full length of the bed should be placed against the wall to prevent entrapment between the bed and the wall.
13. The use of water or flotation mattresses is prohibited.

STRANGULATION HAZARD—Never attach or hang items to any part of the bunk bed that are not designed for use with the bed.

14. Keep these instructions for future reference.
15. We recommend assembling your bunk bed on the shipping carton to protect your floor or carpet.
16. Be certain all staples are out of the box before beginning assembly on the shipping carton.
17. USE ONLY MATTRESSES WHICH ARE AS THE TABLE BELOW ON UPPER AND ON LOWER BUNKS.

Bed type	Length	Width	Thickness
Twin Standard	74" - 75"	38 ½"	6"

18. SURFACE OF MATTRESS MUST BE AT LEAST 5" (127MM) BELOW THE UPPER EDGE OF GUARDRAIL