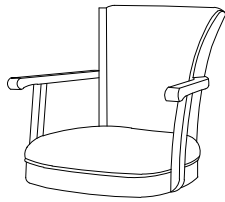
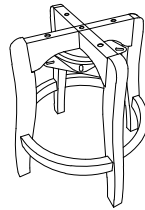


Installation & Assembly

BARSTOOL ASSEMBLY INSTRUCTION (TOTAL 1 BOX)



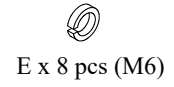
A x 1 pc



B x 1 pc



C x 8 pcs (M6x30mm)



E x 8 pcs (M6)

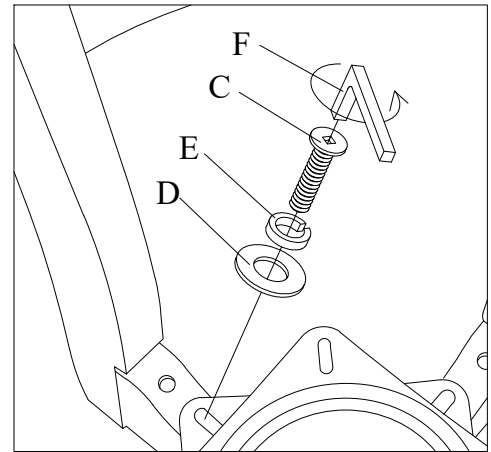
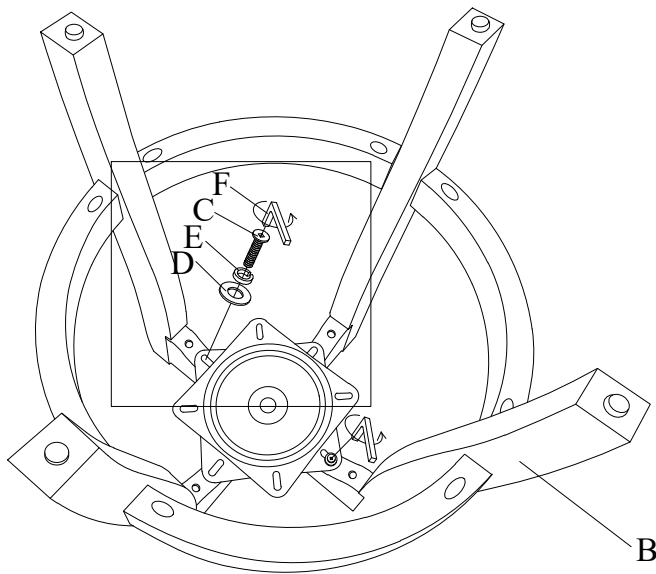


D x 8 pcs (M6)

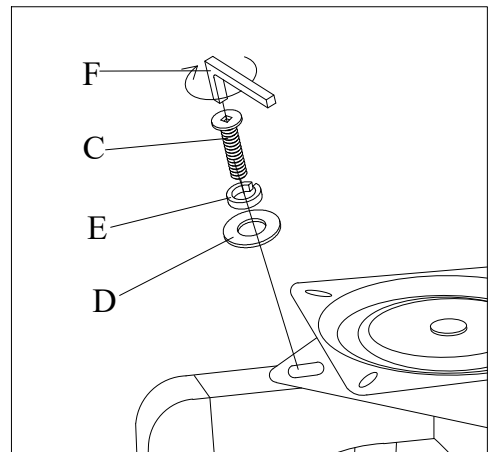
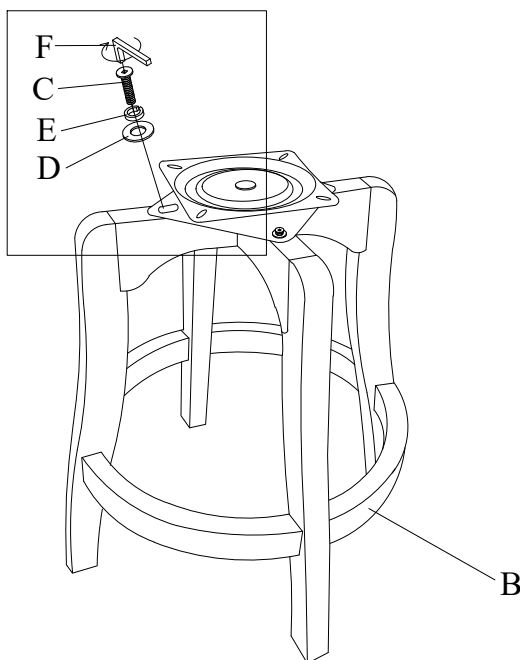


F x 1 pc (4mm)

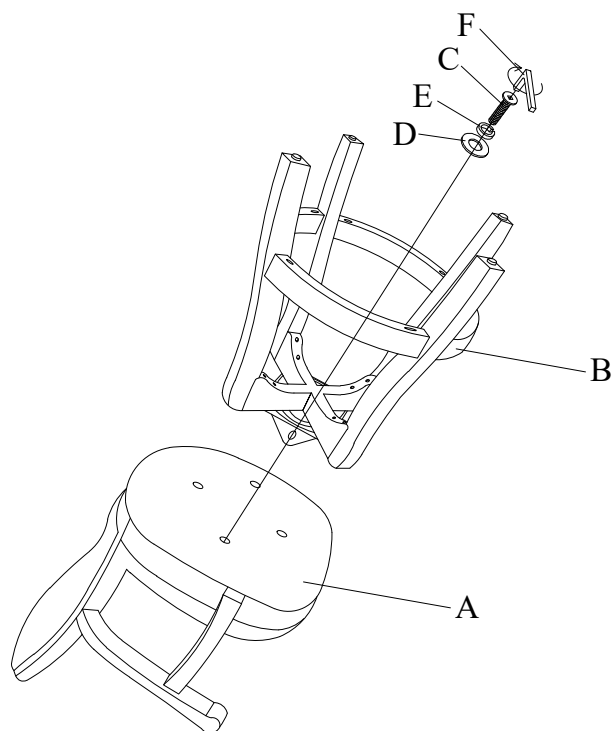
1



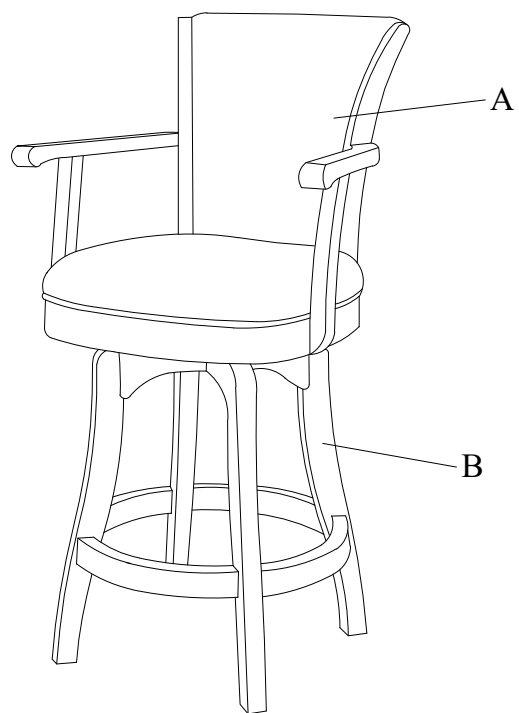
2



3



4



Thank you for your purchase.