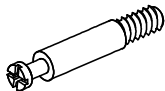



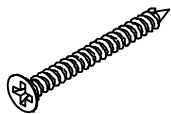
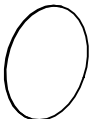
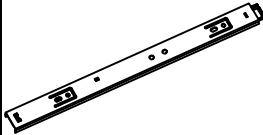

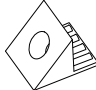
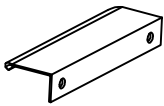
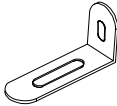

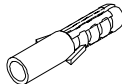
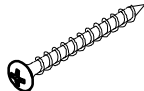
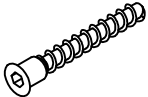


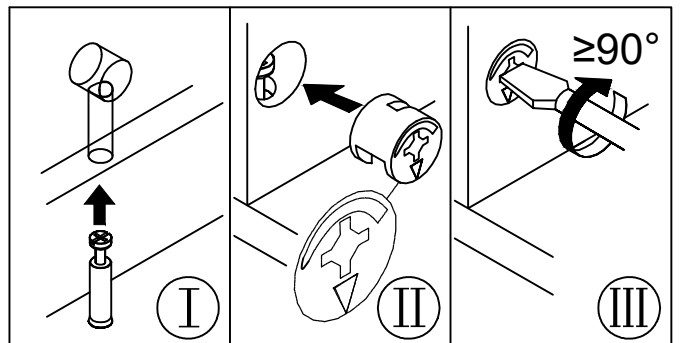
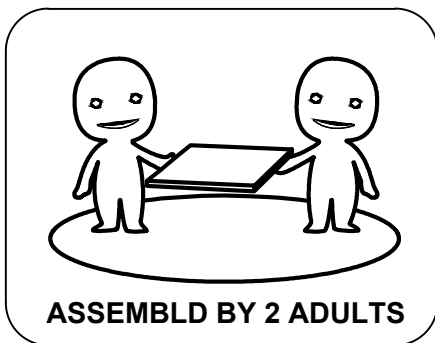
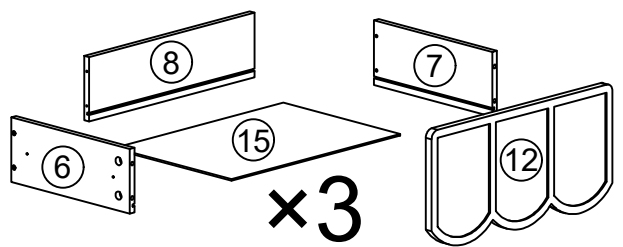
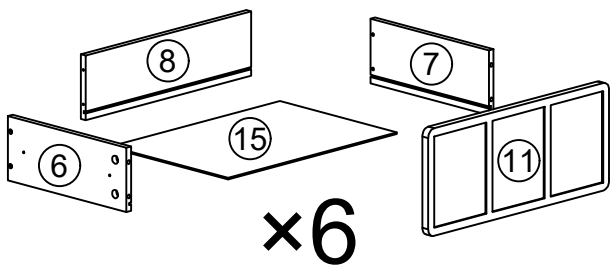
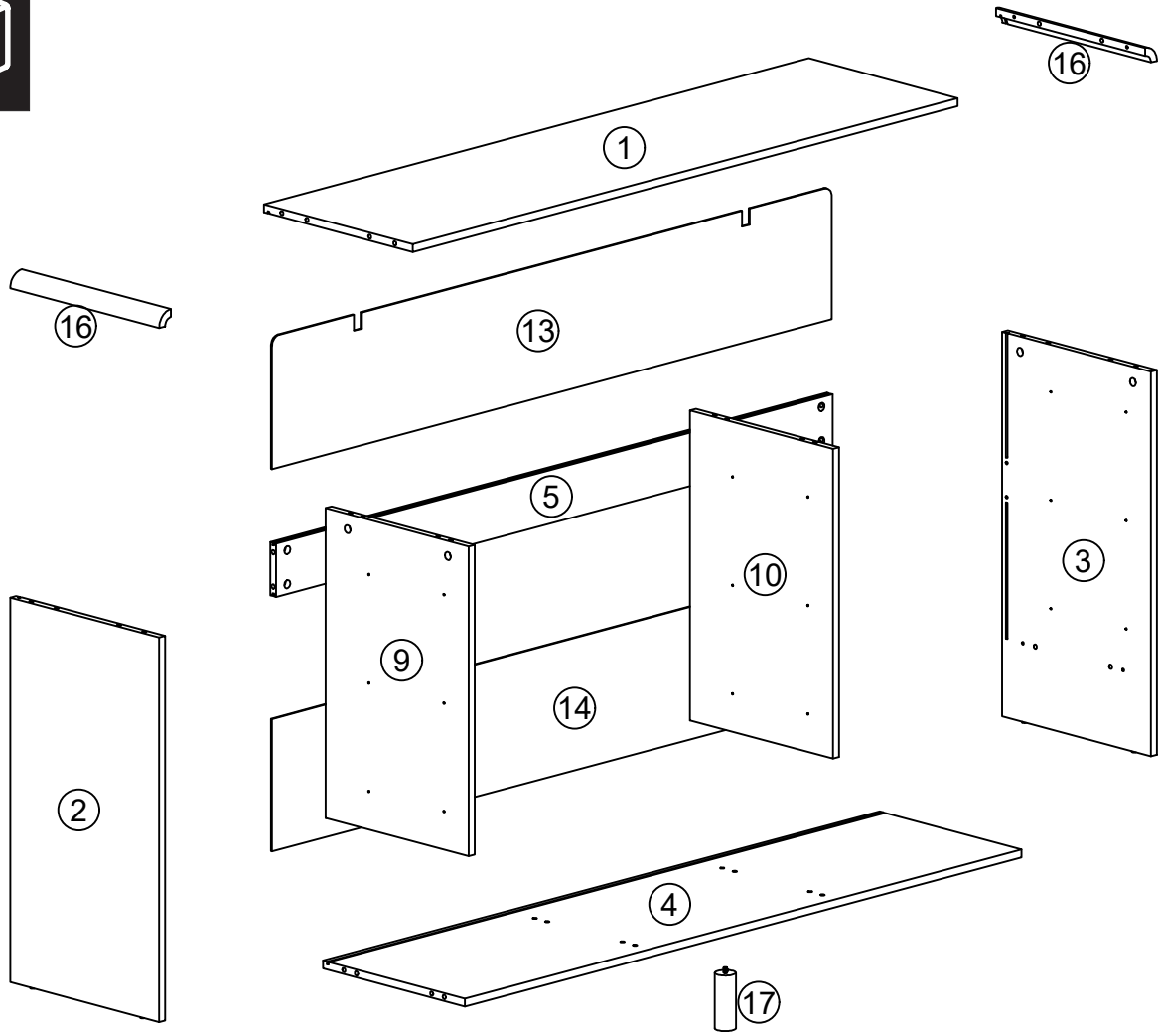
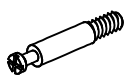
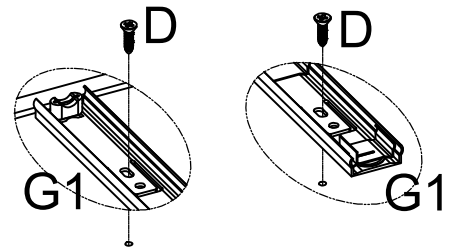
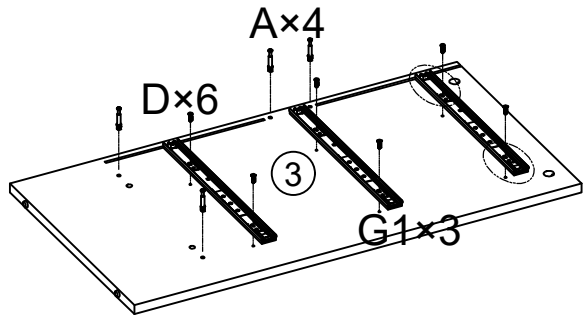
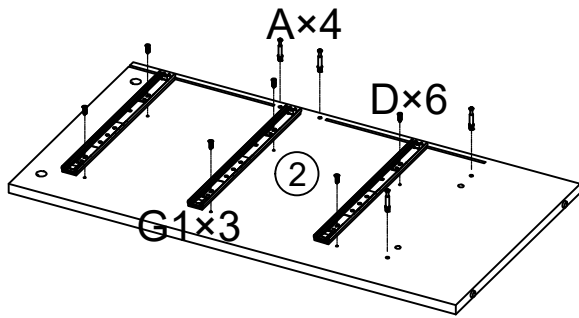
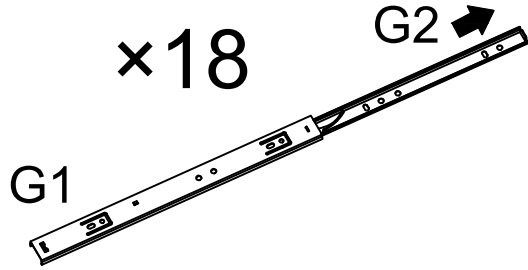
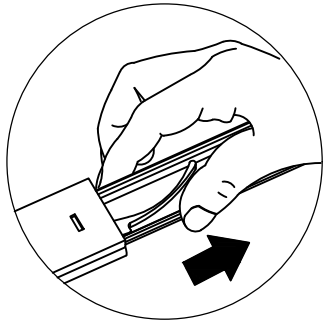


| A×56PCS  | B×20PCS   | C×20PCS  | D×102PCS   | E×36PCS  |
|--|---|--|--|--|
| <br>M6×35mm | <br>Ø15×12mm | <br>Ø8×30mm   | <br>Ø3.5×14mm | <br>Ø4×35mm |
| F×56PCS  | G×18PCS   | H×36PCS  | I×12PCS  | J×9PCS   |
|             |              | <br>Ø15×9.3mm |               |             |
| K×2PCS   | L×2PCS  | M×2PCS   | N×2PCS   | O×4PCS   |
|             | <br>Ø4×14mm  | <br>Ø6×30mm   | <br>Ø4×35mm    | <br>Ø6×50mm |
| P×1PC  | Q×1PC   |  |  |  |
| <br>M4mm    |              |  |  |  |





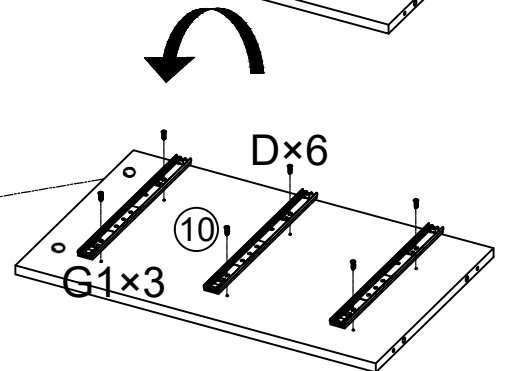
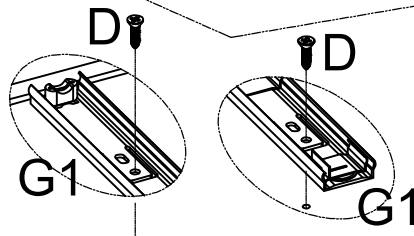
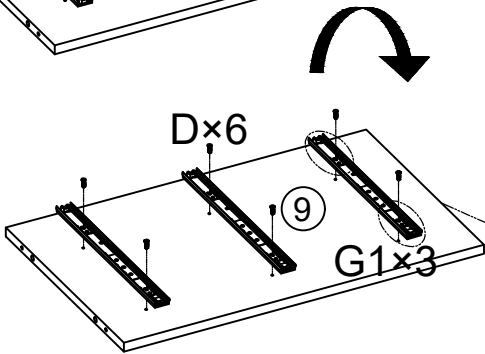
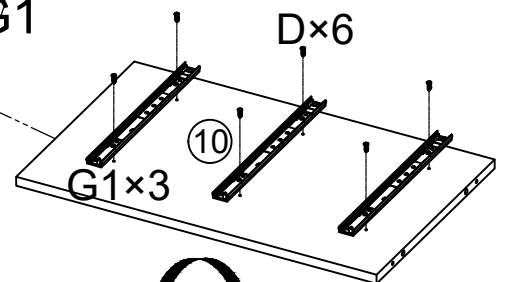
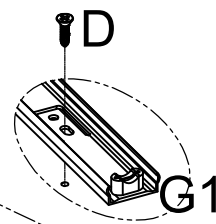
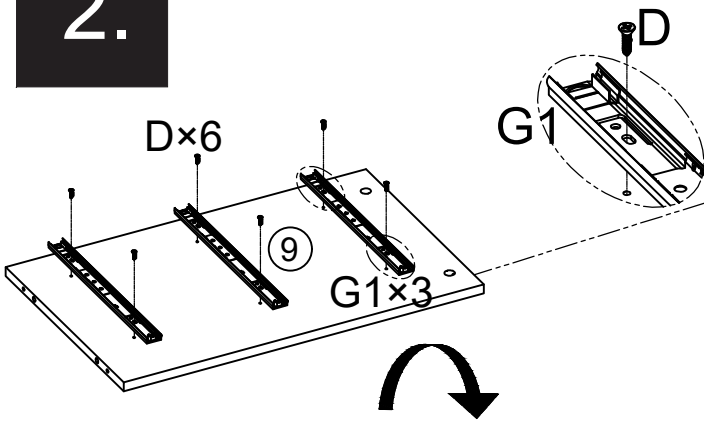
# 1.



|  |   |   |
|--|---|---|
| A×8PCS   | D×12PCS   | G1×6PCS   |
|  |  |  |
| M6×35mm  | Ø3.5×14mm   |   |



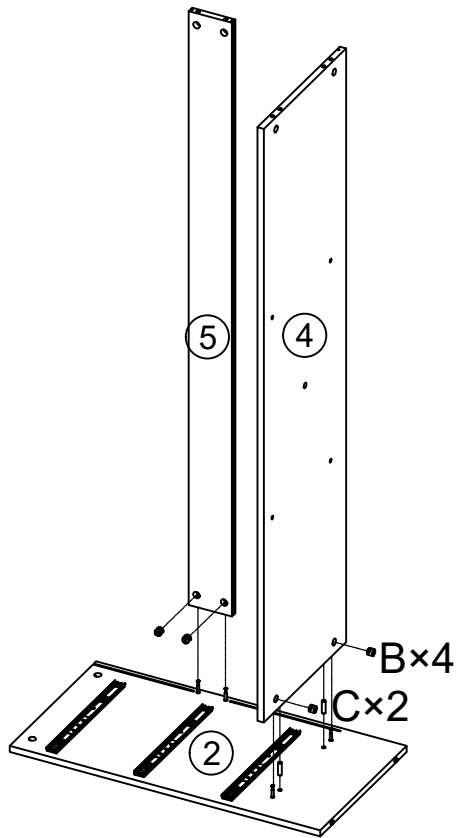
# 2.

|   |   |
|---|---|
| D×24PCS   | G1×12PCS  |
|  |  |
| Ø3.5×14mm   |   |

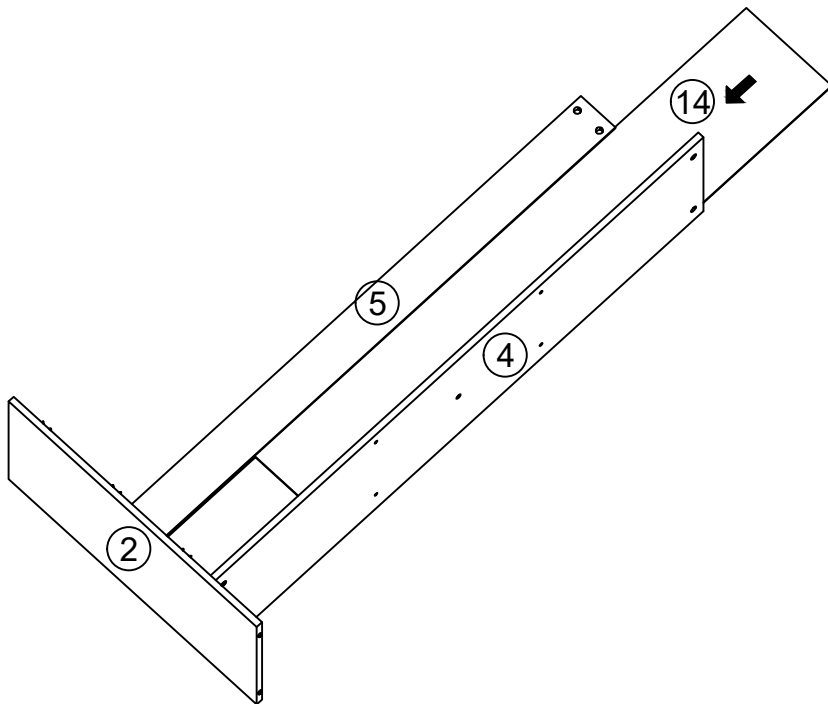


|   |   |
|---|---|
| B×4PCS  | C×2PCS  |
|  |  |
| Ø15×12mm  | Ø8×30mm   |



3.

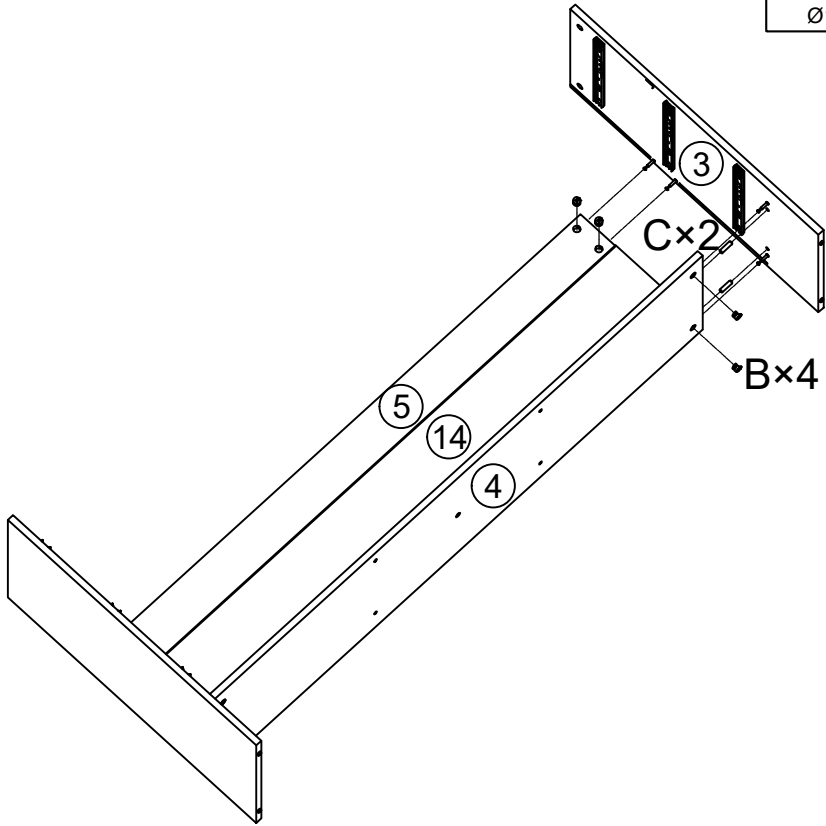


4.






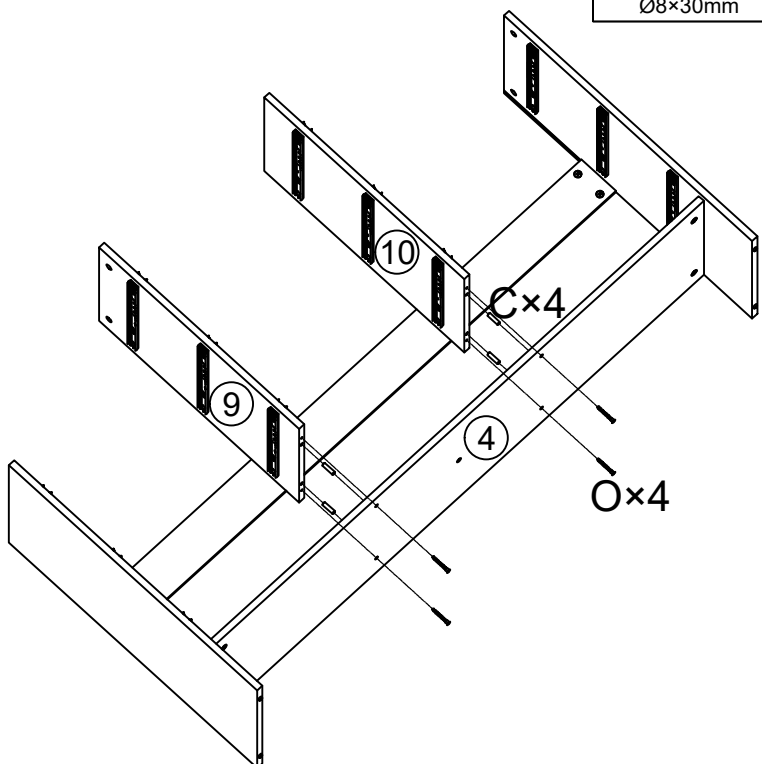
5.

|   |   |
|---|---|
| B×4PCS  | C×2PCS  |
|  |  |
| Ø15×12mm  | Ø8×30mm   |



6.

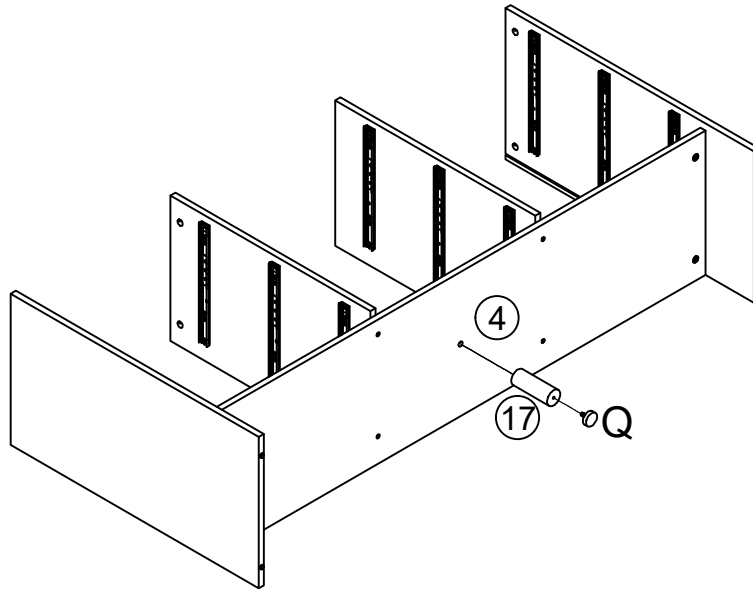
|  |   |   |
|--|---|---|
| C×4PCS   | O×4PCS  | P×1PC   |
|  |  |  |
| Ø8×30mm  | Ø6×50mm   | M4mm  |



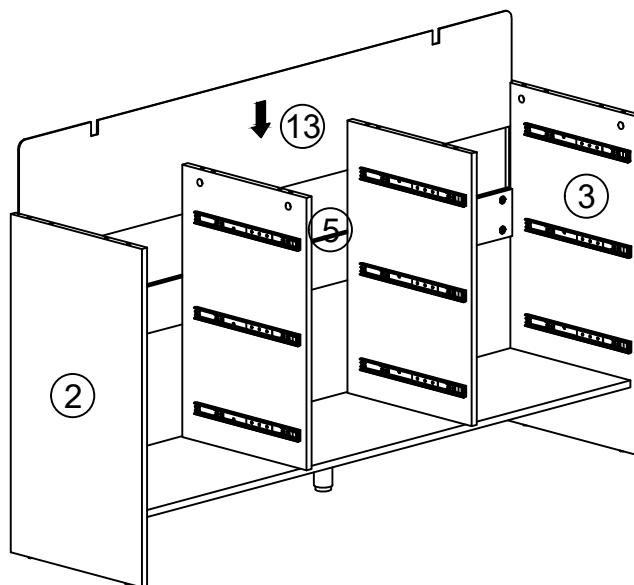
Q×1PC



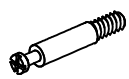


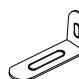

7.

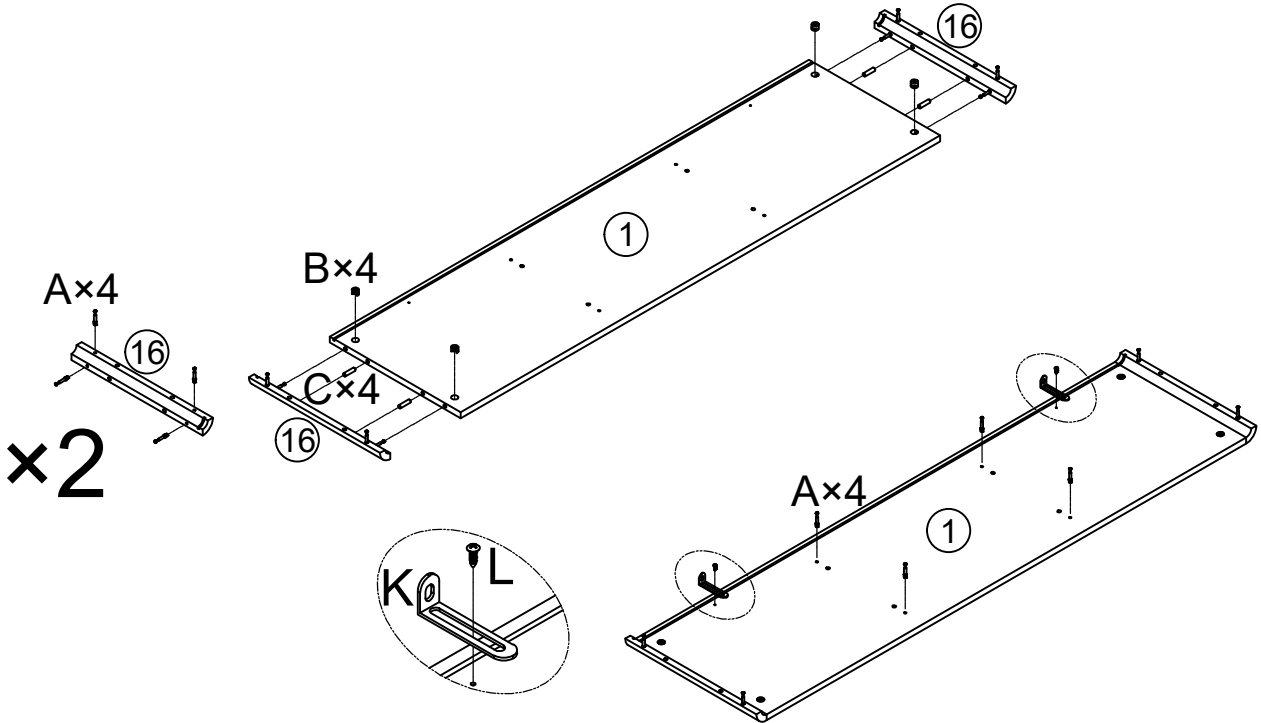


8.





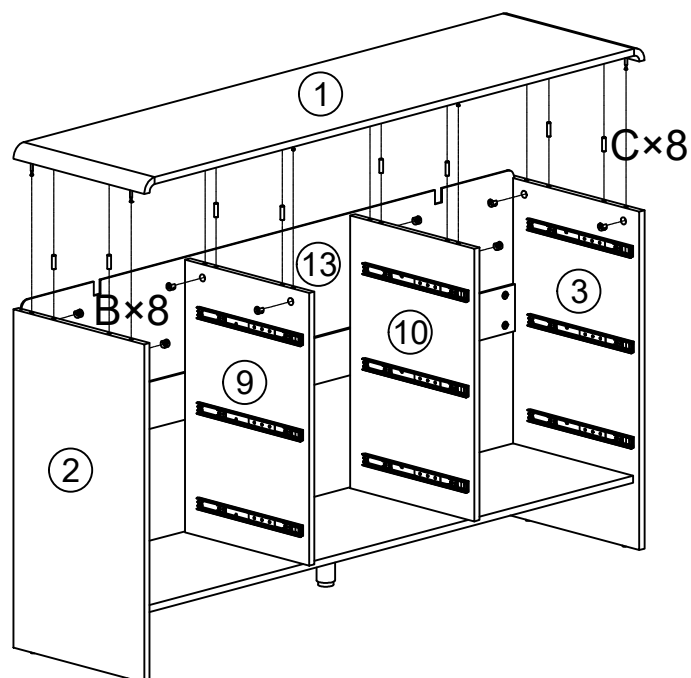
9.



|   |   |   |   |  |
|---|---|---|---|--|
| A×12PCS<br><br>M6×35mm | B×4PCS<br><br>Ø15×12mm | C×4PCS<br><br>Ø8×30mm | K×2PCS<br> | L×2PCS<br><br>Ø4×14mm |
|---|---|---|---|--|



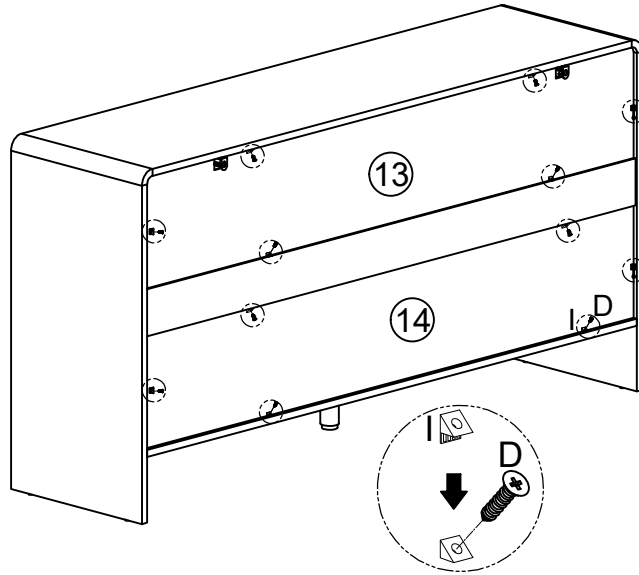
10.

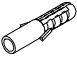

|   |  |
|---|--|
| B×8PCS<br><br>Ø15×12mm | C×8PCS<br><br>Ø8×30mm |
|---|--|



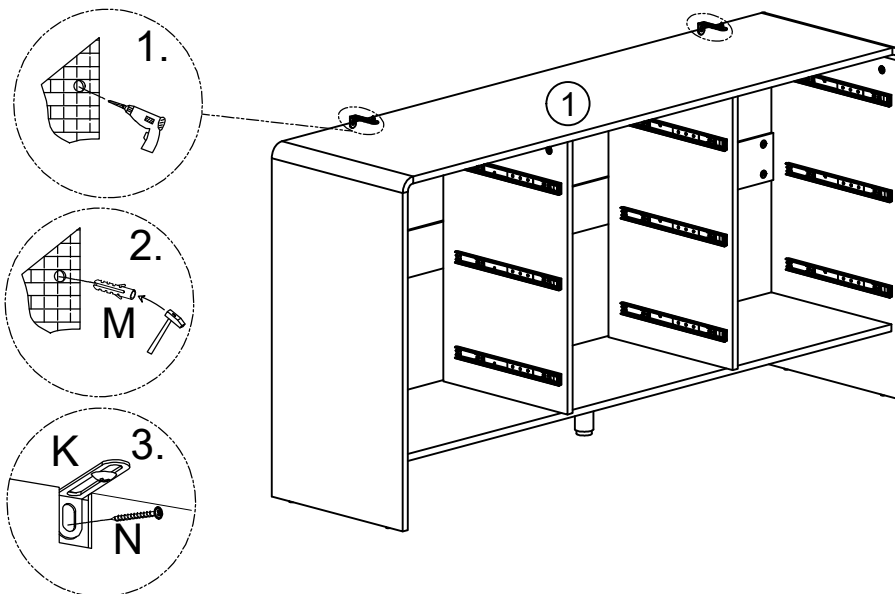
|   |   |
|---|---|
| D×12PCS   | I×12PCS   |
|  |  |
| Ø3.5×14mm   |   |

11.



|   |   |
|---|---|
| M×2PCS  | N×2PCS  |
|  |  |
| Ø6×30mm   | Ø4×35mm   |

12.

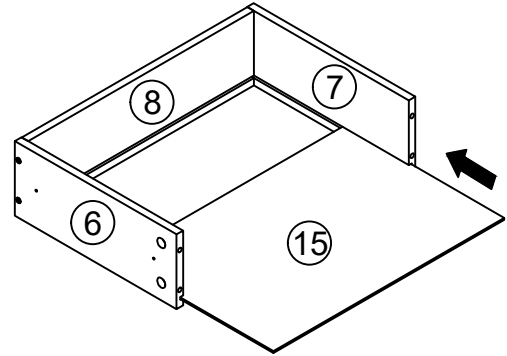
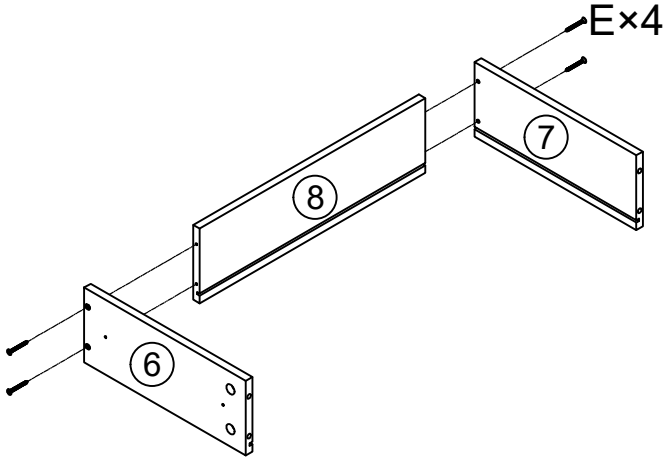


13.

E×36PCS



Ø4×35mm



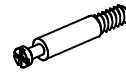
×9

14.

A×36PCS

D×18PCS

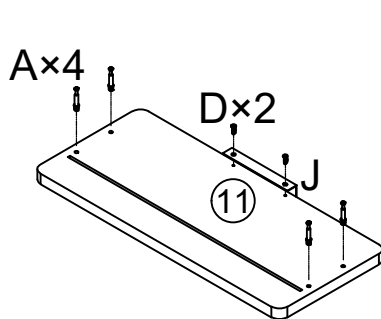
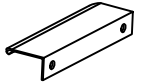
J×9PCS



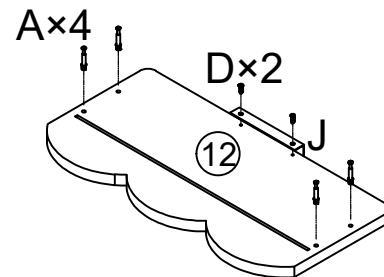
M6×35mm



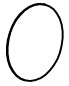

Ø3.5×14mm



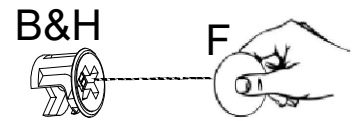
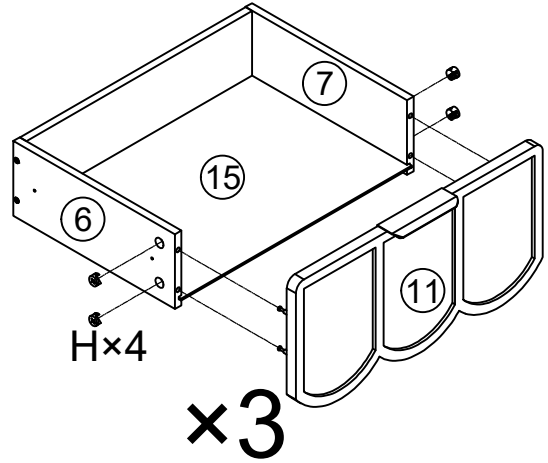
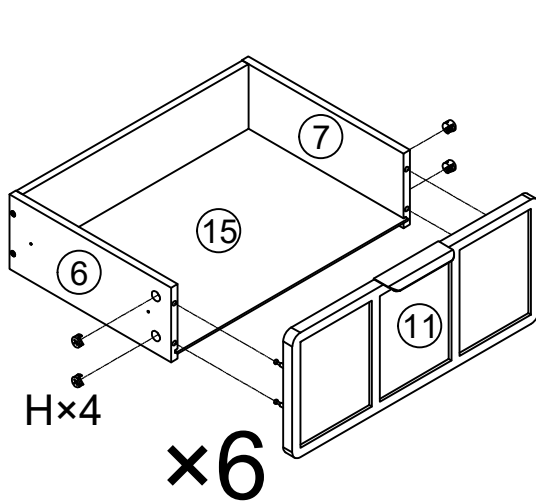
×6





×3

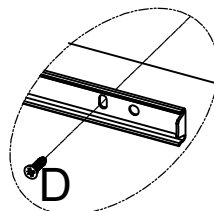
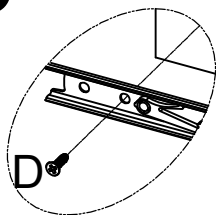
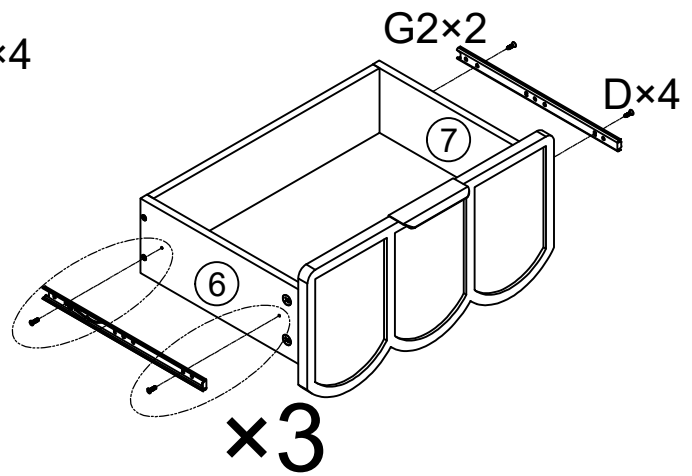
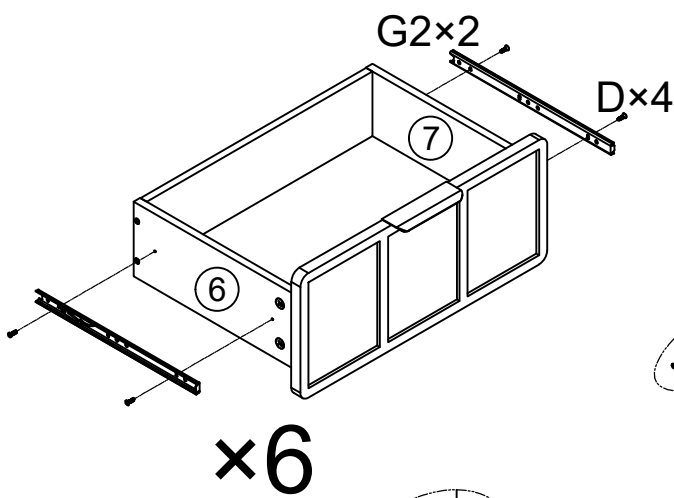
|   |   |
|---|---|
| F×56PCS   | H×36PCS   |
|  |  |
|   | Ø15×9.3mm   |

15.



|   |   |
|---|---|
| D×36PCS   | G2×18PCS  |
|  |  |
| Ø3.5×14mm   |   |

16.



17.

