



42 GREENE STREET LL NEW YORK NY 10013
T 212.355.0625 F 212.355.0628 WWW.OASIQ.US



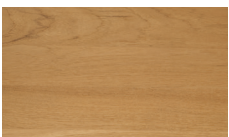
COPENHAGEN Counterstool

W 18 1/8" D 19 1/2" H 33 1/2"

SH 25 11/16" OSH 26 11/16"

17 lbs Teak & rope

COPENHAGEN: ROPE COPENHAGEN: CUSHION FABRICS



Teak



Anthracite

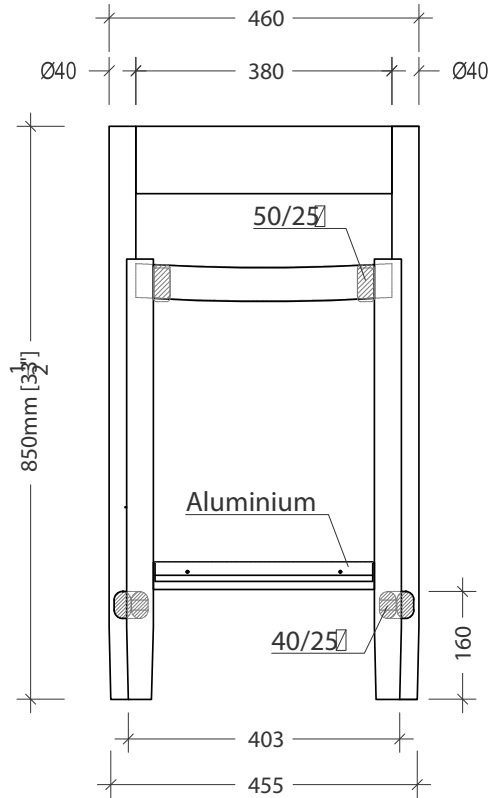


Sooty

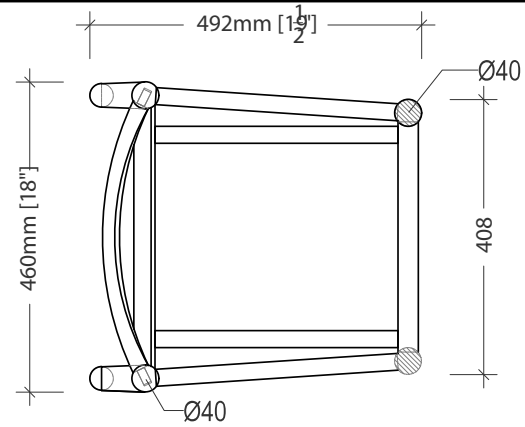
ITEM NO	-	DATE	Feb, 04 2020	SIZE	W18 " D 19½" H 33½ "	DRAWN BY	WP Riana	Fty		OASIQ
DESC	Copenhagen Counter Stool	REVISED	00	BUYER	OASIQ	PAGE	01/02	WP		

1 : 10

FRONT VIEW



TOP VIEW



SIDE VIEW

