

User's Manual



INSTALLATION STEPS

This product has been inspected and debugged by the factory to the best condition. Please do not disassemble and assemble it yourself.



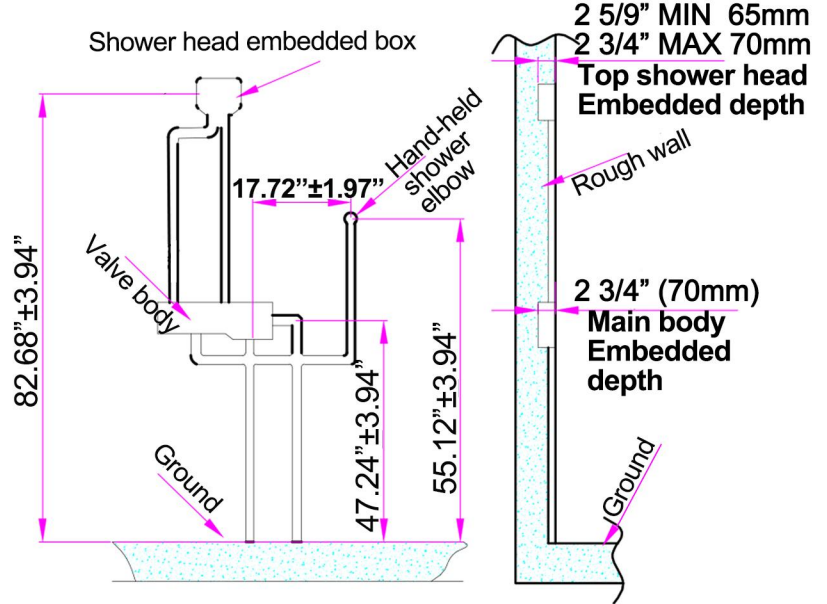
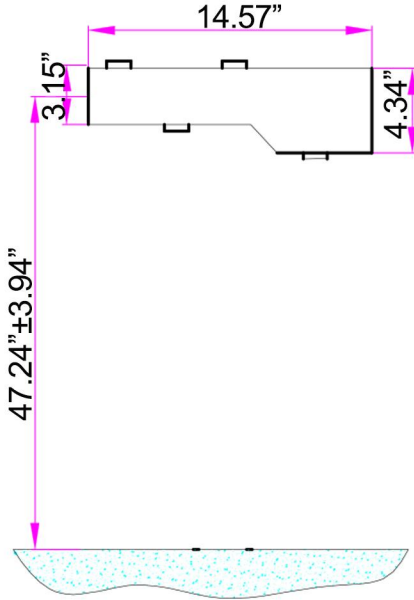
Before installing the product, please be sure to remove sundries and sludge from the water pipe to prevent sundries from blocking the product.



1. After leveling the blank wall, select the appropriate wall line according to the marking board.

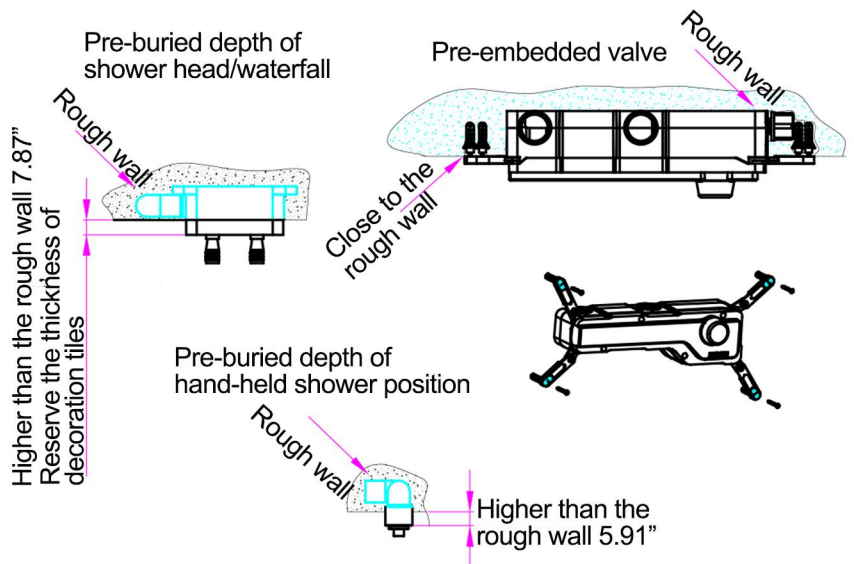
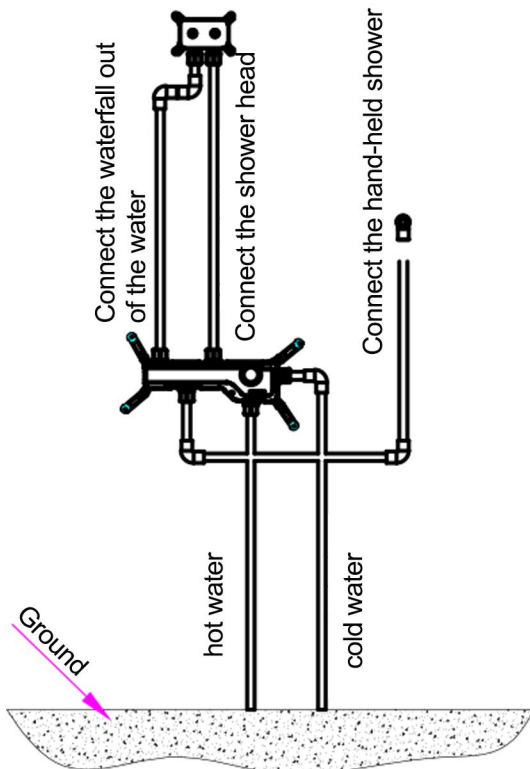
2. Chisel the wall according to the size indicated in the picture.

Note: depth of embedded box excavation thickness of tiles to be reserved.



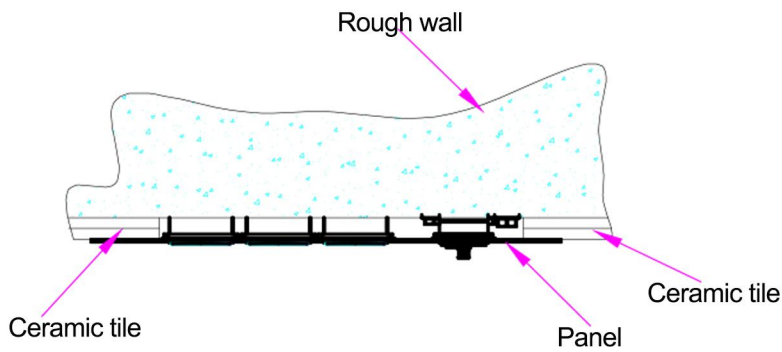
3. Connect the hot melt pipe as shown in the figure.

4. Press the four positioning pieces of the valve body against the rough wall according to the figure, punch the self-tapping screw hole, and tighten the screw after adjusting the level. Install the top spray pre-embedded box, valve body, and hand-held shower elbow according to the figure. Check the depth dimension, the overall level, and the verticality of the wall, backfill the wall.

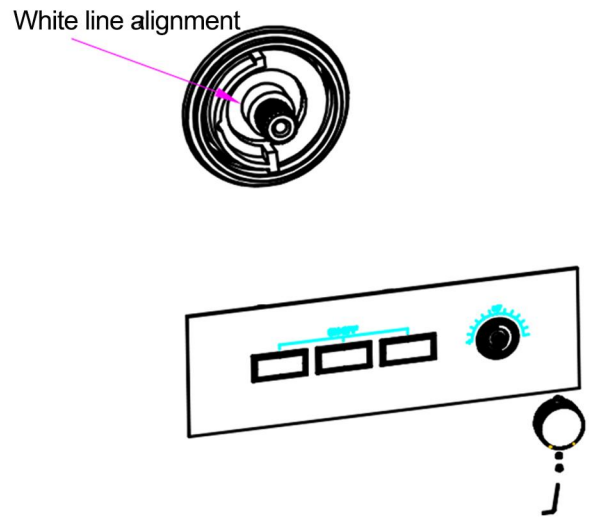


INSTALLATION STEPS

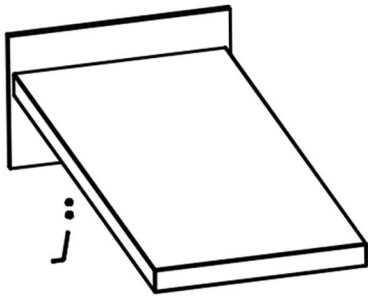
5. Ceramic tile hole 14.57"x4.33".
Four positioning films must be closely attached to the appropriate mud.
(tile + mud thickness must not exceed 2cm)



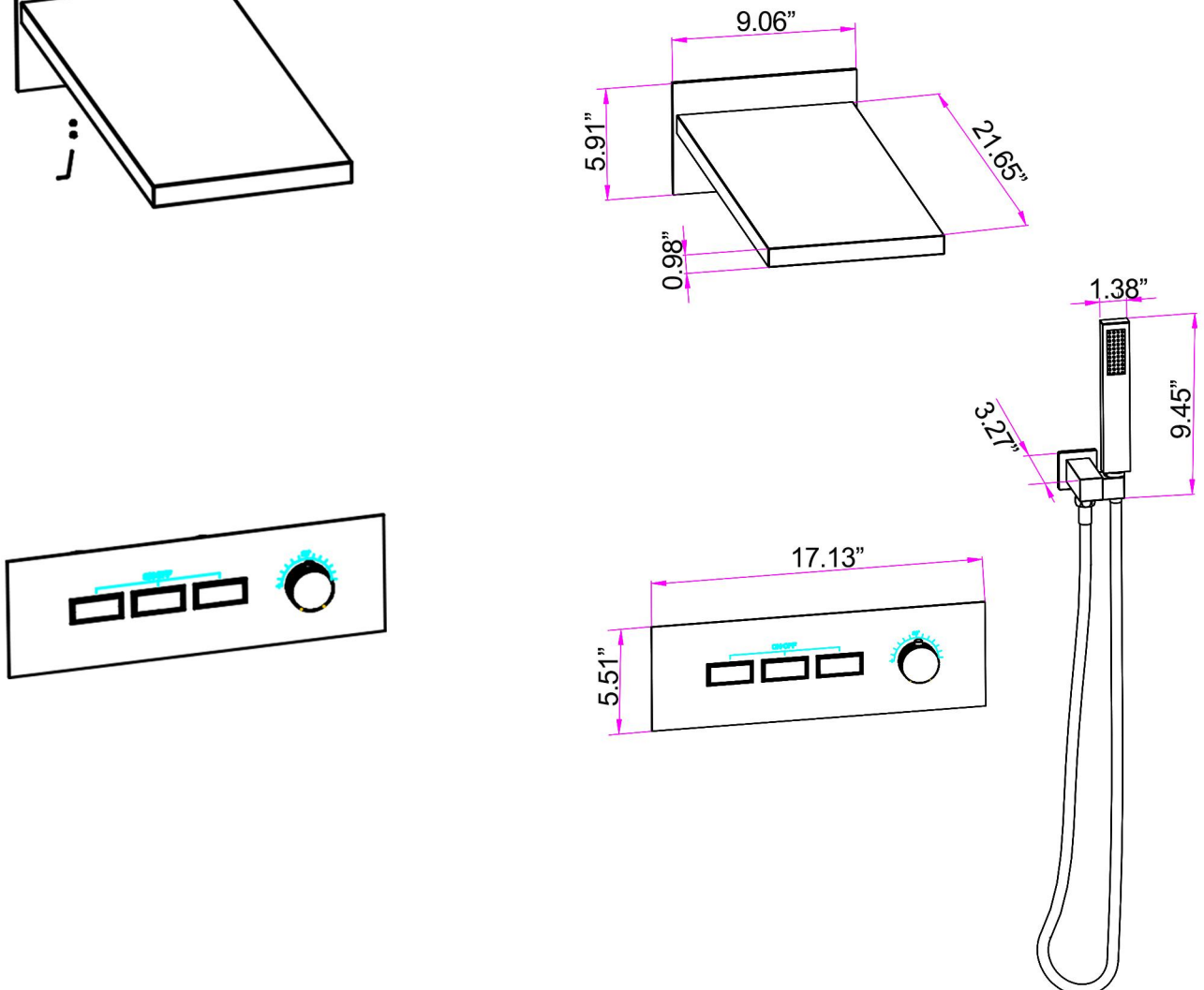
6. Rotate the thermostat cartridge so that the white line of the rod is aligned with the white line of the main body (which has been rotated and aligned when it leaves the factory). Install the handle according to the direction in the picture (the handle protruding lever aligns the panel 38 degrees).



7. Install the shower head.



8. Install the bracket, connect the shower pipe, and hold the shower in hand.



INSTALLATIONS FOR USE

1. It is recommended that the water pressure should not be lower than 0.2Mpa (2 kg water pressure, the normal water pressure in daily life is 3 mi 5 kg).
2. It is recommended that the electric water heater is more than 40L and the gas water heater is more than 10L.
3. It is recommended that the size of the ceramic tile opening should be 1.34"x0.35".

CLEANING CARE

In order to keep the appearance of product clean, bright and good performance, please take care of the product as follows;

- 1.Rinse with water only and dry with soff cotton cloth;
- 2.Use mild liquid and colorless glass cleaner to remove surface dirt and scale film, or use polish without abrasive effect;
- 3.Do not use abrasive deterfgent, polish, emery cloth, paper towel or scraper, etc;
- 4.Do not use acid cleaner, or cleaner and soap with insoluble gran etc;
- 5.In the process of use, mud my accumulate in the bubbler and make the water flow show, The bubbler can be unscrewed, rinsed with water, and then installed back in place.



