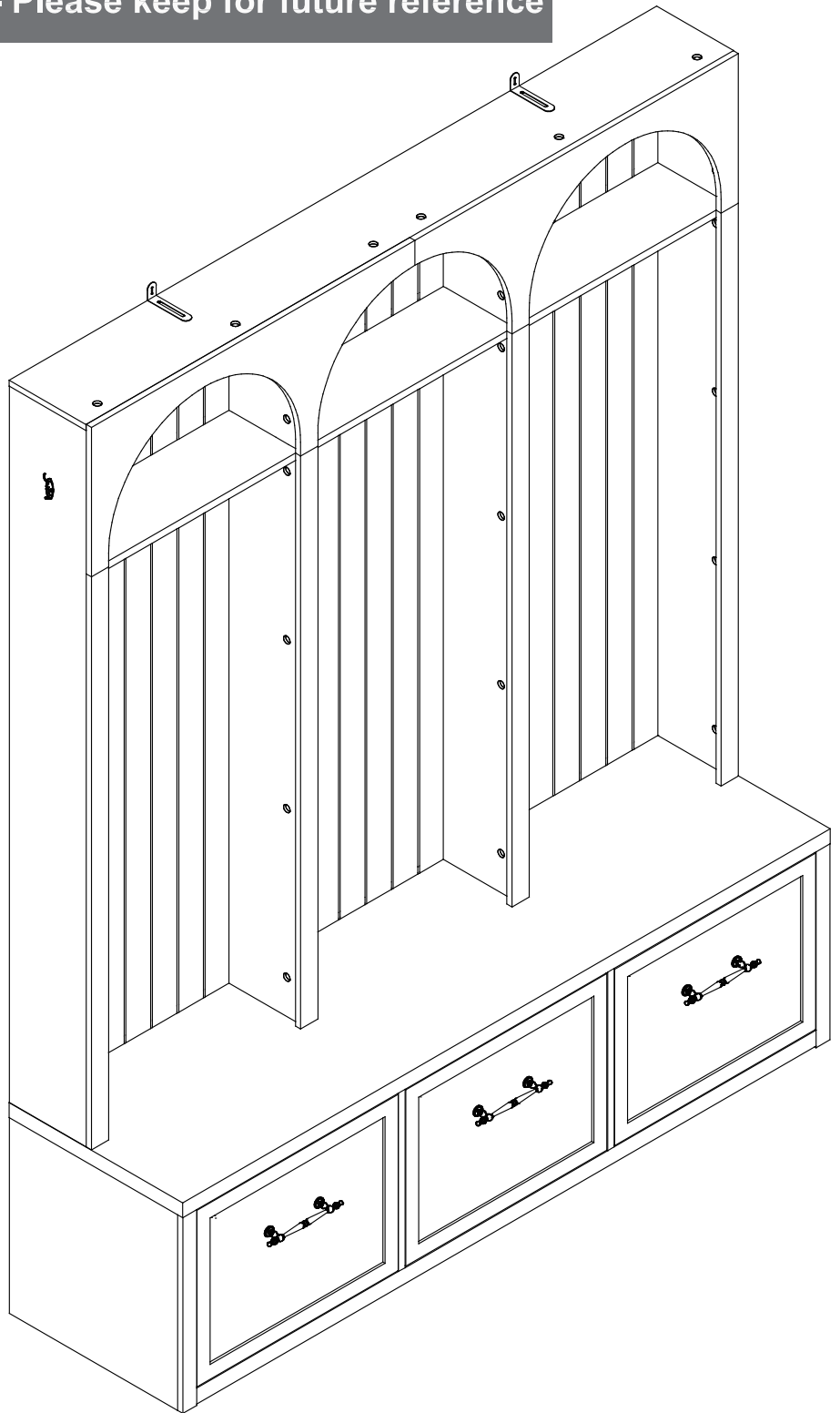


# Hall Tree

Assembly Instructions - Please keep for future reference



## Dimensions

Width- 59.05inch

Depth-15.75inch

Height-74.8inch

Important – Please read these instructions fully before starting assembly



# Safety and Care Advice

**Important – Please read these instructions fully before starting assembly**

- Check you have all the components and tools listed on the following pages.
- Remove all fittings from the plastic bags and separate them into their groups.
- Keep children and animals away from the work area, small parts could choke if swallowed.
- Make sure you have enough space to layout the parts before starting.

- During assembly do not stand or put weight on the product, this could cause damage.
- Assemble the item as close to its final position (in the same room) as possible.
- Assemble on a soft level surface to avoid damaging the unit or your floor.
- Parts of the assembly will be easier with 2 people.



power drill is set on a low torque setting.

- To reduce the likelihood of damaging your product please ensure that your

## Care and maintenance

- Only clean using a damp cloth and mild detergent, do not use bleach or abrasive cleaners.
- From time to time check that there are no loose screws on this unit.
- This product should not be discarded with household waste. Take to your local authority waste disposal centre.

## Handy Hints

- Assemble all parts and bolts loosely during assembly, only once the product is complete should you fully tighten the bolts
- Regularly check and ensure That all bolts and fittings are tightened properly.

## **WARNING** In order to help prevent overturning – please follow these instructions

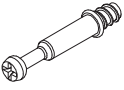


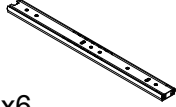
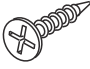
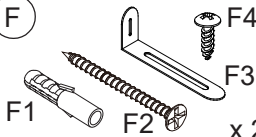

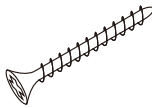

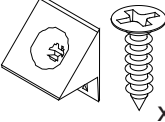
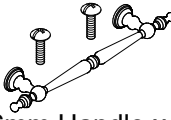

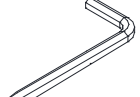
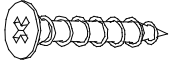


To help prevent product toppling over please follow the below steps:-

- Use the anti tip stap or wall fixing method provided (if applicable)
- Do not allow children to climb or hang on the furniture
- Do not open more than one drawer at a time
- Do not place heavy items in the top drawers
- Do not place heavy items on top of the furniture, unless the furniture has been designed for this purpose

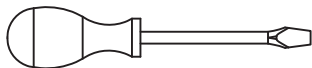
# Components - Fittings

Please check you have all the panels listed below

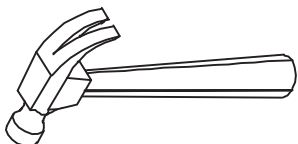
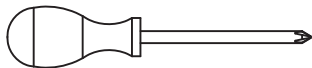
Note: The quantities below are the correct amount to complete the assembly. In some cases more fittings may be supplied than are required.

<p>(A) </p> <p>Cam Bolt x 108+2</p>	<p>(B) </p> <p>6*30mm Dowel x 69+2</p>	<p>(C) </p> <p>Cam lock x 108+2</p>	<p>(D) </p> <p>Slide x6</p>
<p>(E) </p> <p>3*12mm Screw x 24+2</p>	<p>(F) </p> <p>F1 F2 F3 F4 x 2set</p>	<p>(G) </p> <p>4*40mm Screw x 12+1</p>	<p>(H) </p> <p>4*30mm Screw x 12+1</p>
<p>(I) </p> <p>3*14mm Hook x 2set</p>	<p>(J) </p> <p>x 36set</p>	<p>(K) </p> <p>4*16mm Handle x 3set</p>	<p>(L) </p> <p>Light wood color x 28</p>
<p>(M) </p> <p>Allen key x 1</p>	<p>(N) </p> <p>4*25mm Screw x 4</p>	<p>(O) </p> <p>3*16mm Hook x 6set</p>	<p>(P) </p> <p>Perfect fit x 28</p>

## Tools required Not Included



Phillips screwdriver  
(medium & large)



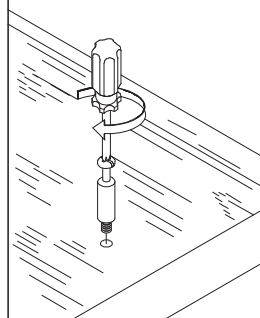
# Using Camlocks

## Step 1

Connect the male camlock as directed in the assembly instructions using a screwdriver.

1

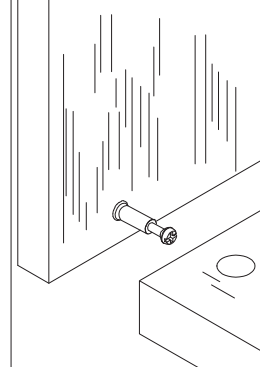
DO NOT OVER TIGHTEN.  
NE PAS SERRER EXCESSIVEMENT.



## Step 2

Push the male camlock into the entry hole.

2

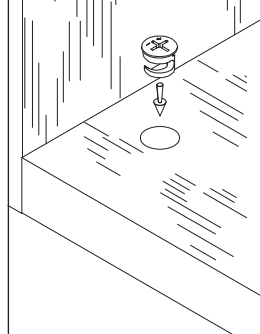


## Step 3

Insert the female camlock as shown in the instruction.

Note: ensure that the arrow on the top of the camlock points towards the entry hole for the male camlock.

3



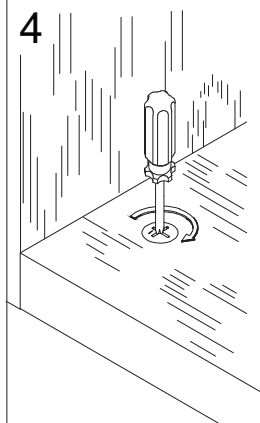
## Step 4

Turn the female camlock clockwise with a screwdriver.

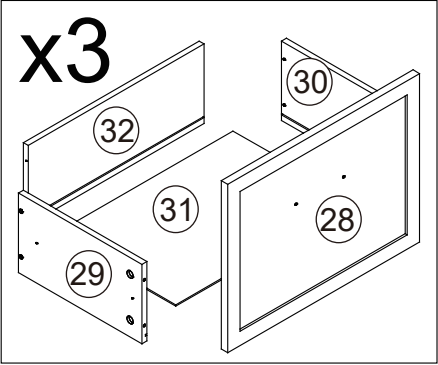
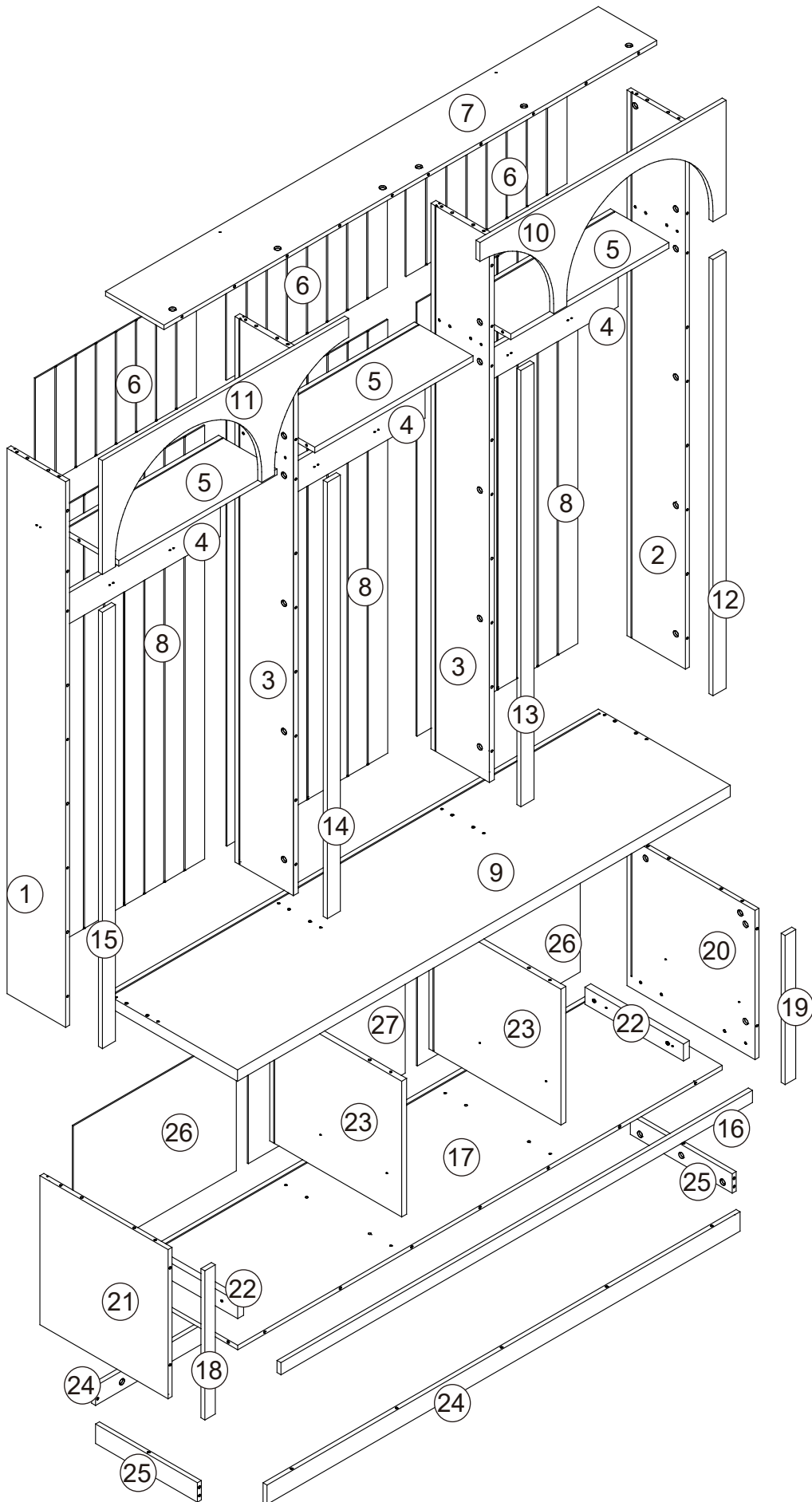
You should feel a click when the camlock is locked in place.

The joint is now secure.

4

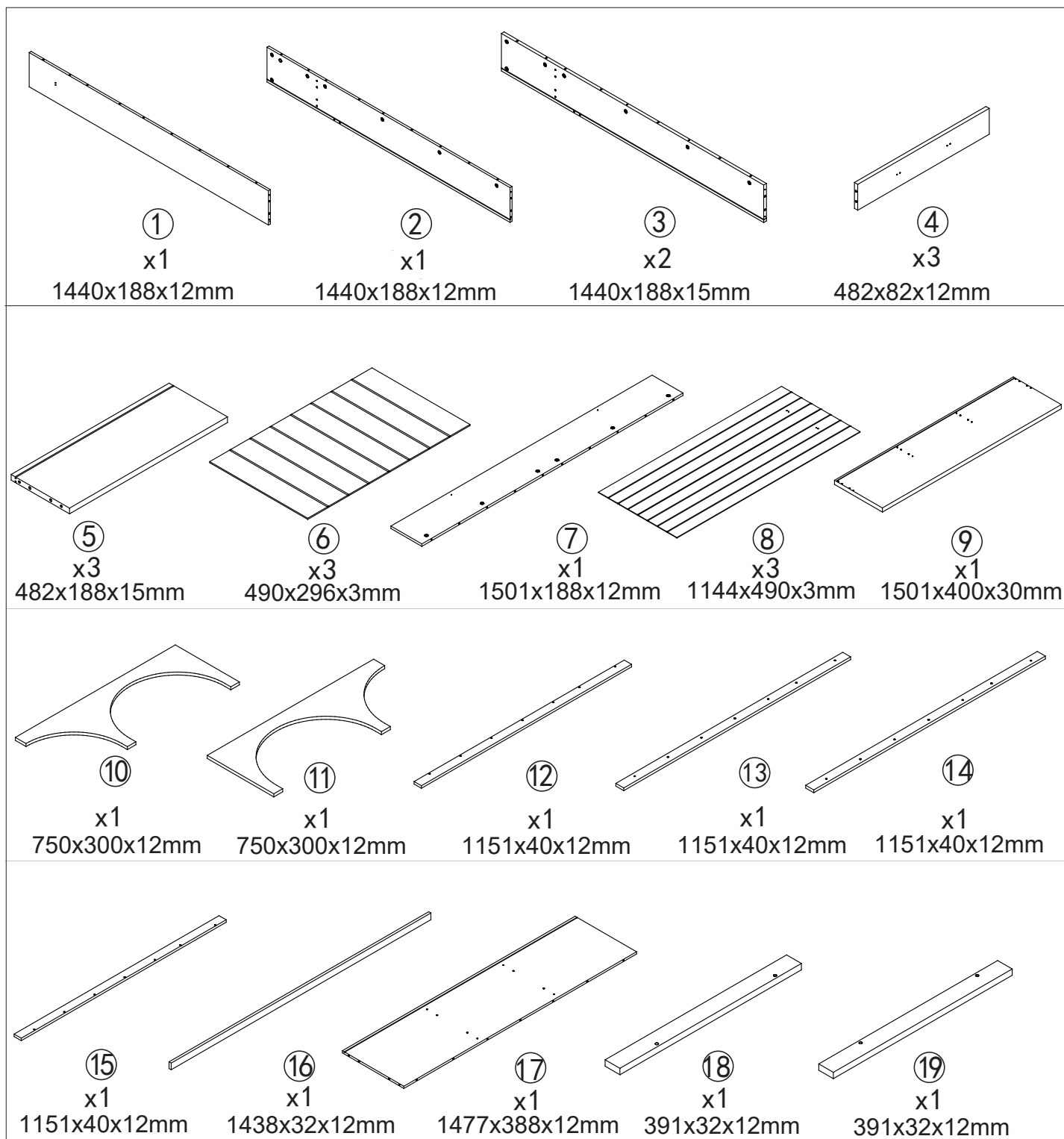


# Assembly Instructions

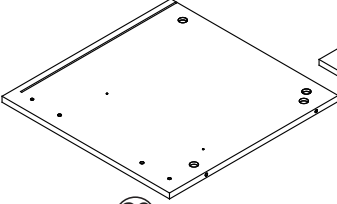
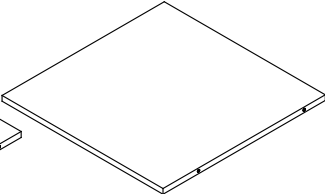
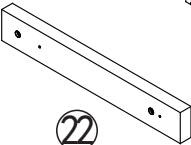
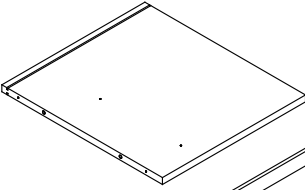
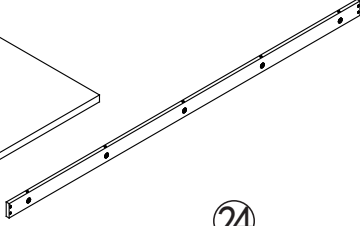
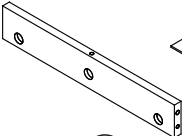
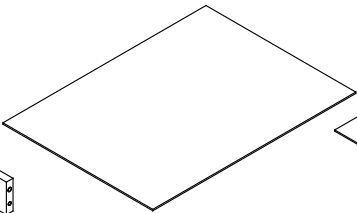
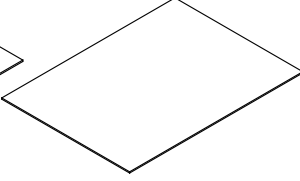
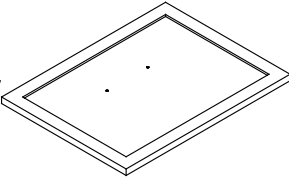
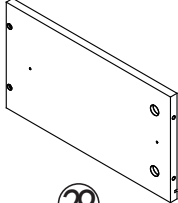
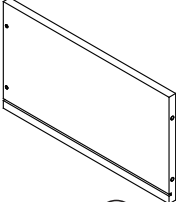
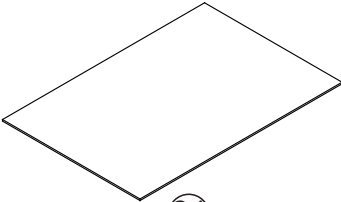
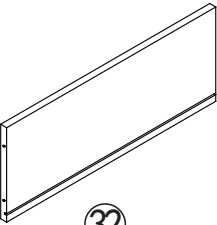


# PART LIST

This product comes in 1 box.

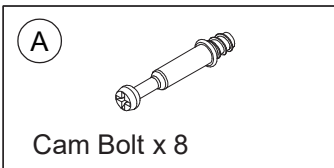
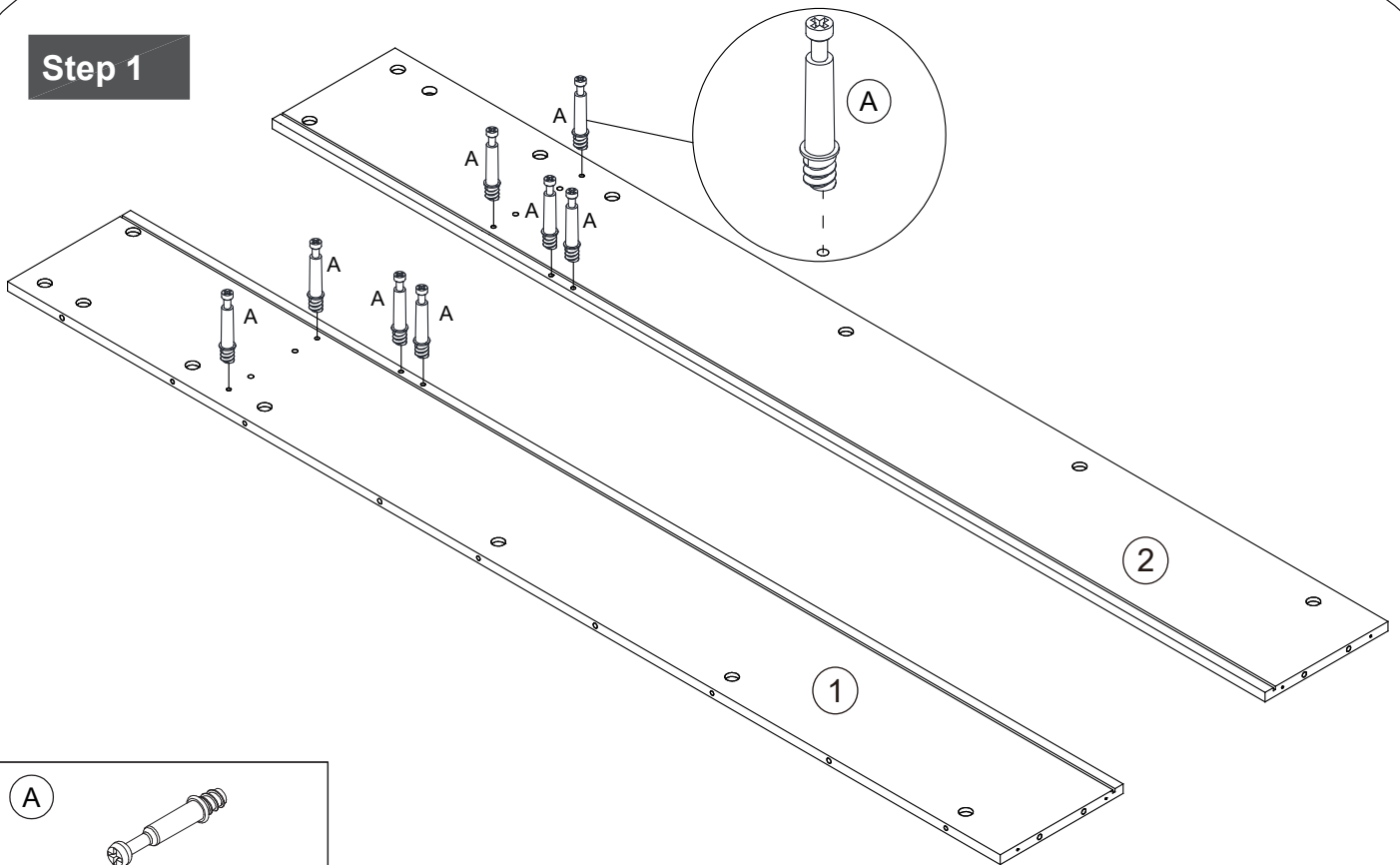


# PART LIST

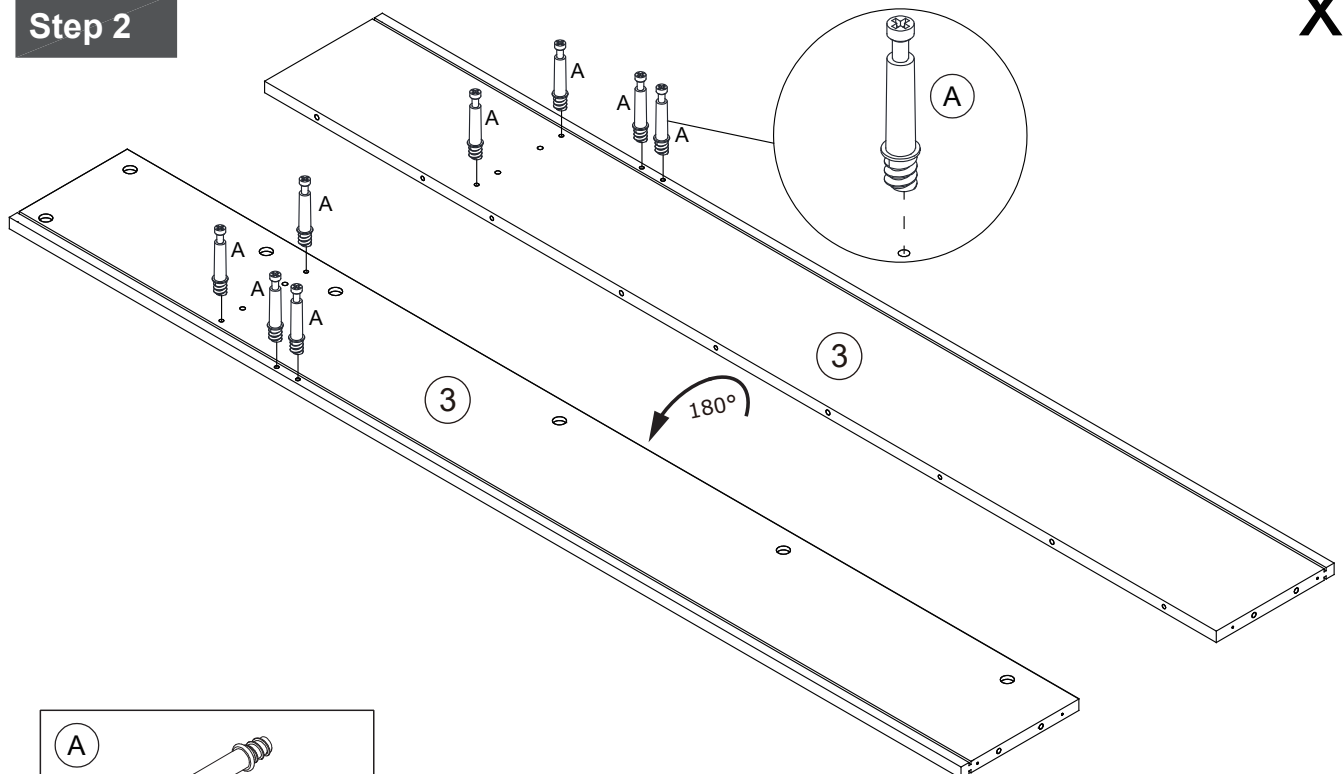
 ②① x1 391x388x12mm	 ②② x1 391x388x12mm	 ②③ x2 300x45x18mm	 ②④ x2 400x358x15mm	 ②⑤ x2 1441x51x12mm
 ②⑥ x2 310x51x12mm	 ②⑦ x2 496x366x3mm	 ②⑧ x1 478x366x3mm	 ②⑨ x3 466x354x17mm	 ③① x3 300x167x12mm
 ③② x3 300x167x12mm	 ③③ x3 435x296x3mm	 ③④ x3 427x167x12mm		

# Assembly Instructions

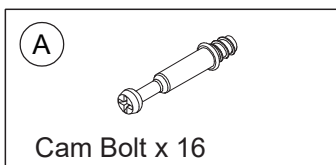
## Step 1



## Step 2

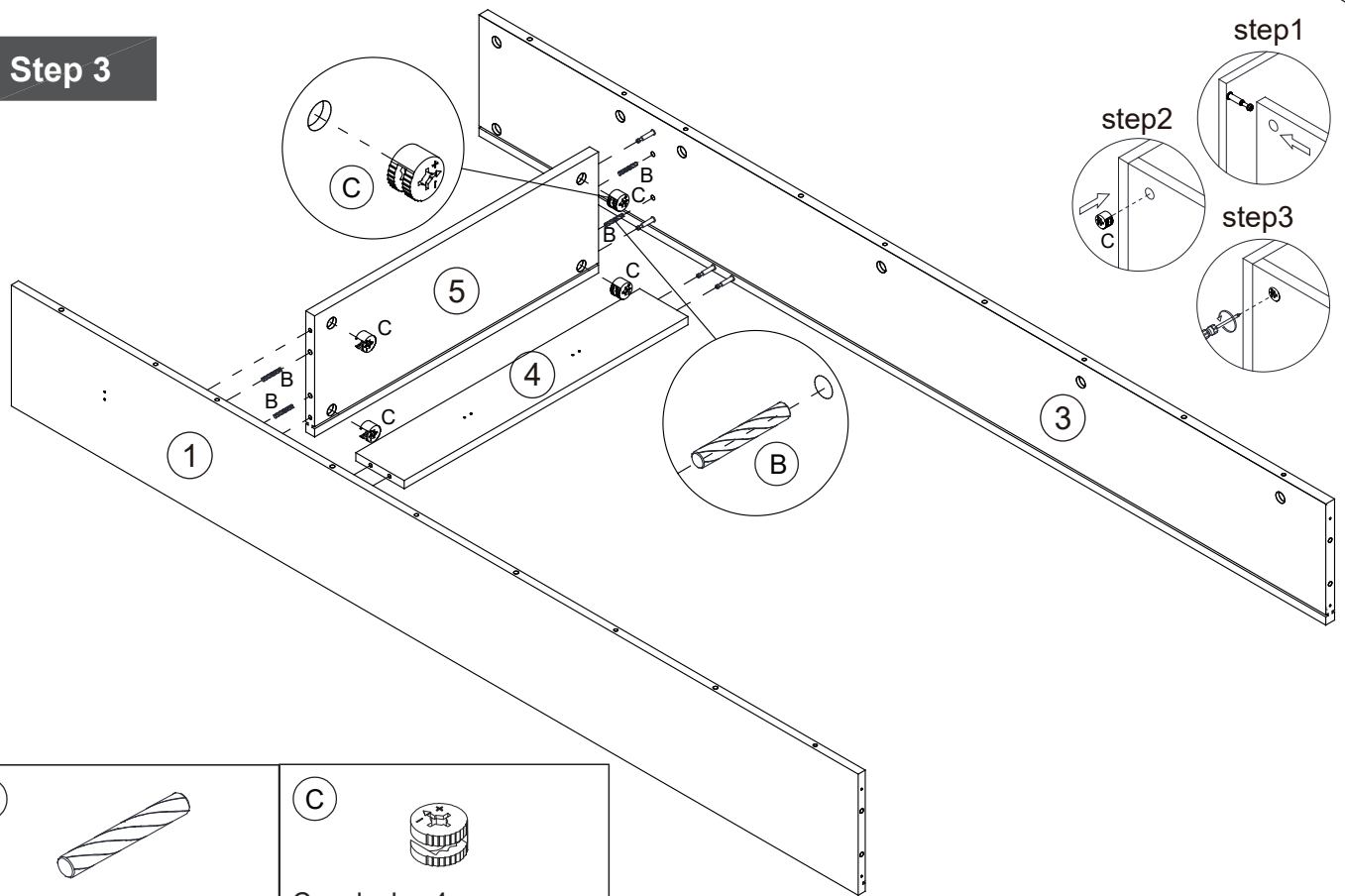


x2



# Assembly Instructions

## Step 3



step1

step2

step3

(B)



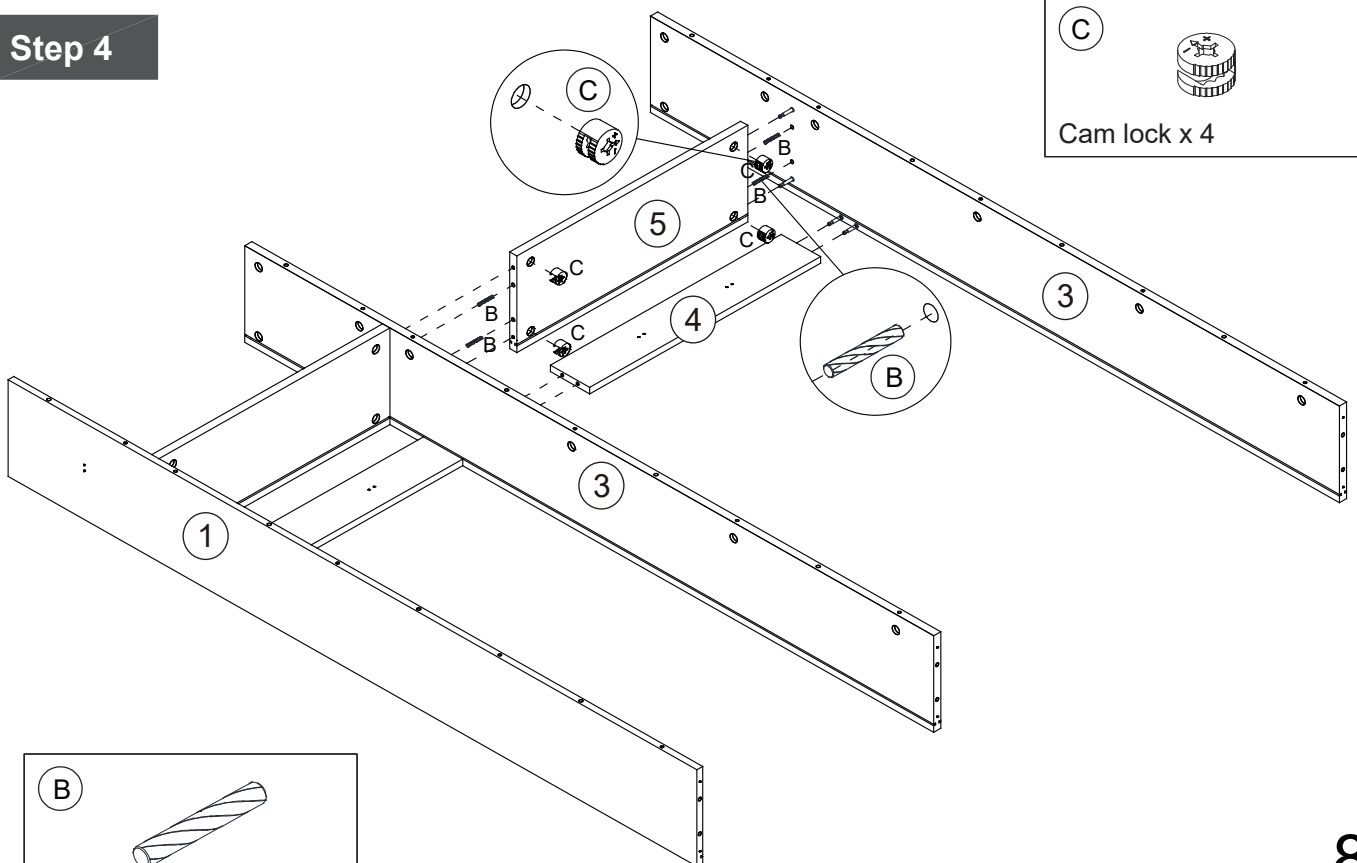
6\*30mm Dowel x 4

(C)



Cam lock x 4

## Step 4



(C)



Cam lock x 4

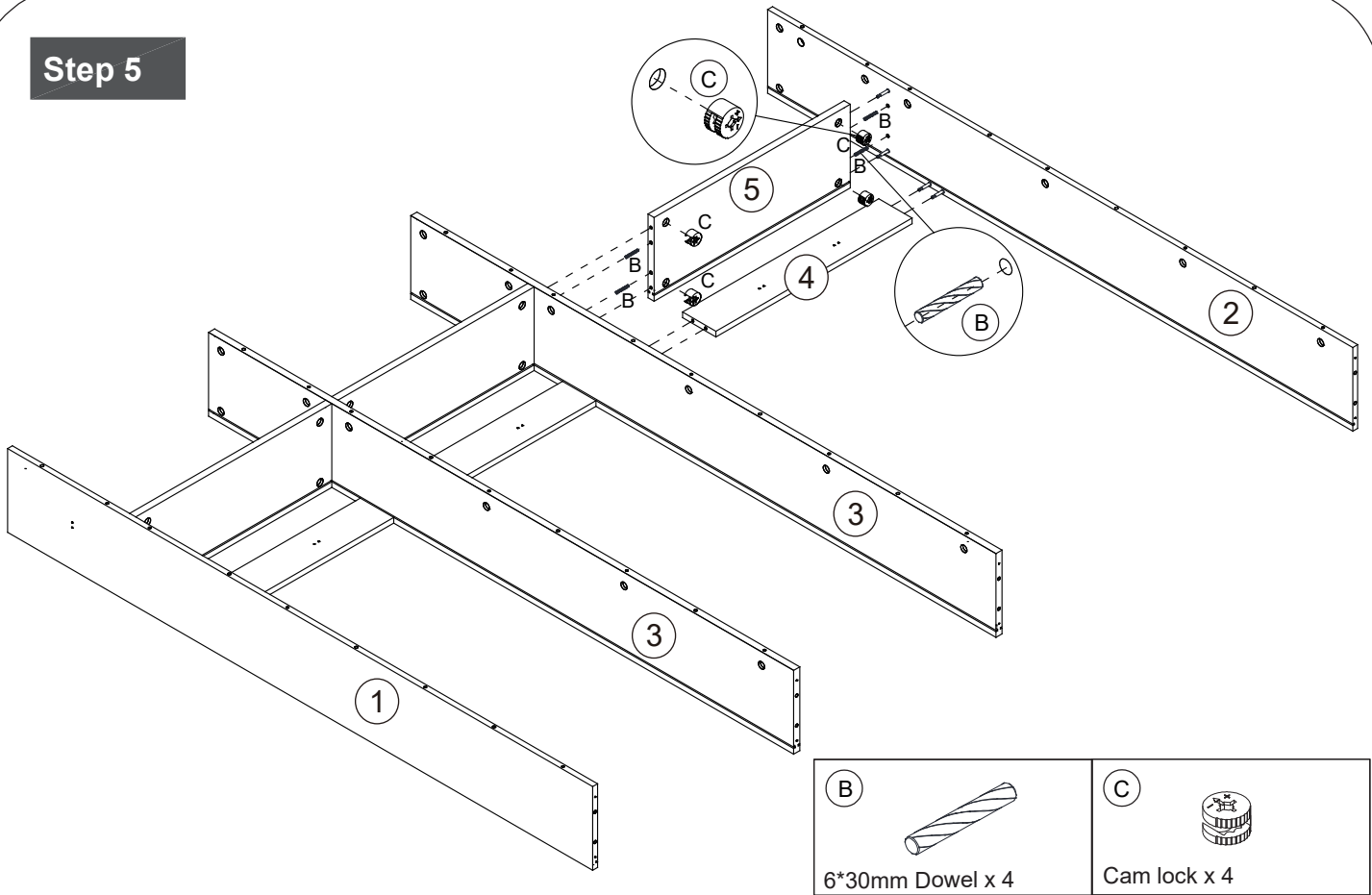
(B)



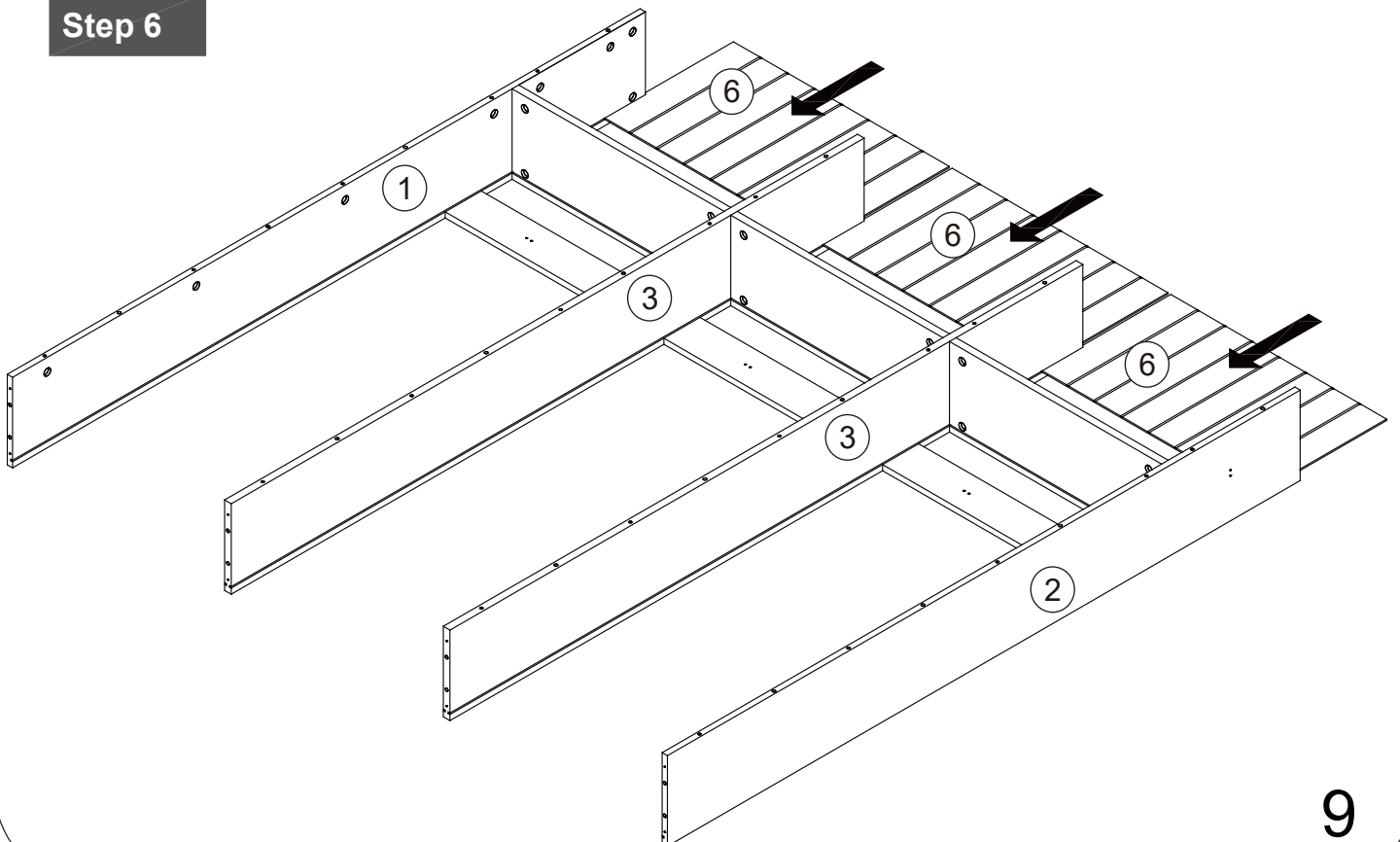
6\*30mm Dowel x 4

# Assembly Instructions

## Step 5

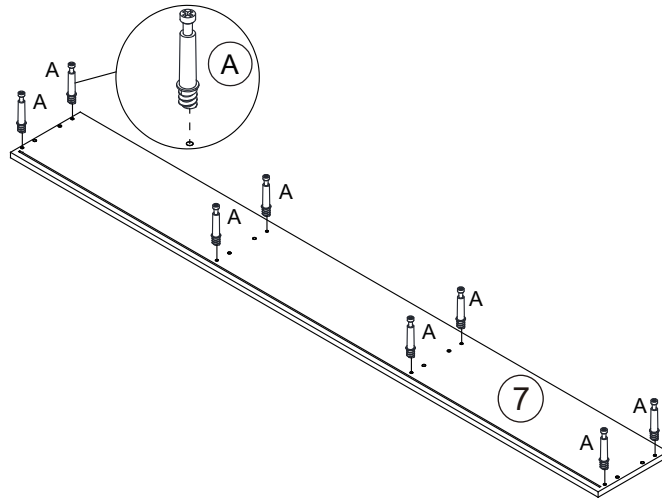


## Step 6

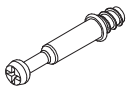


# Assembly Instructions

## Step 7

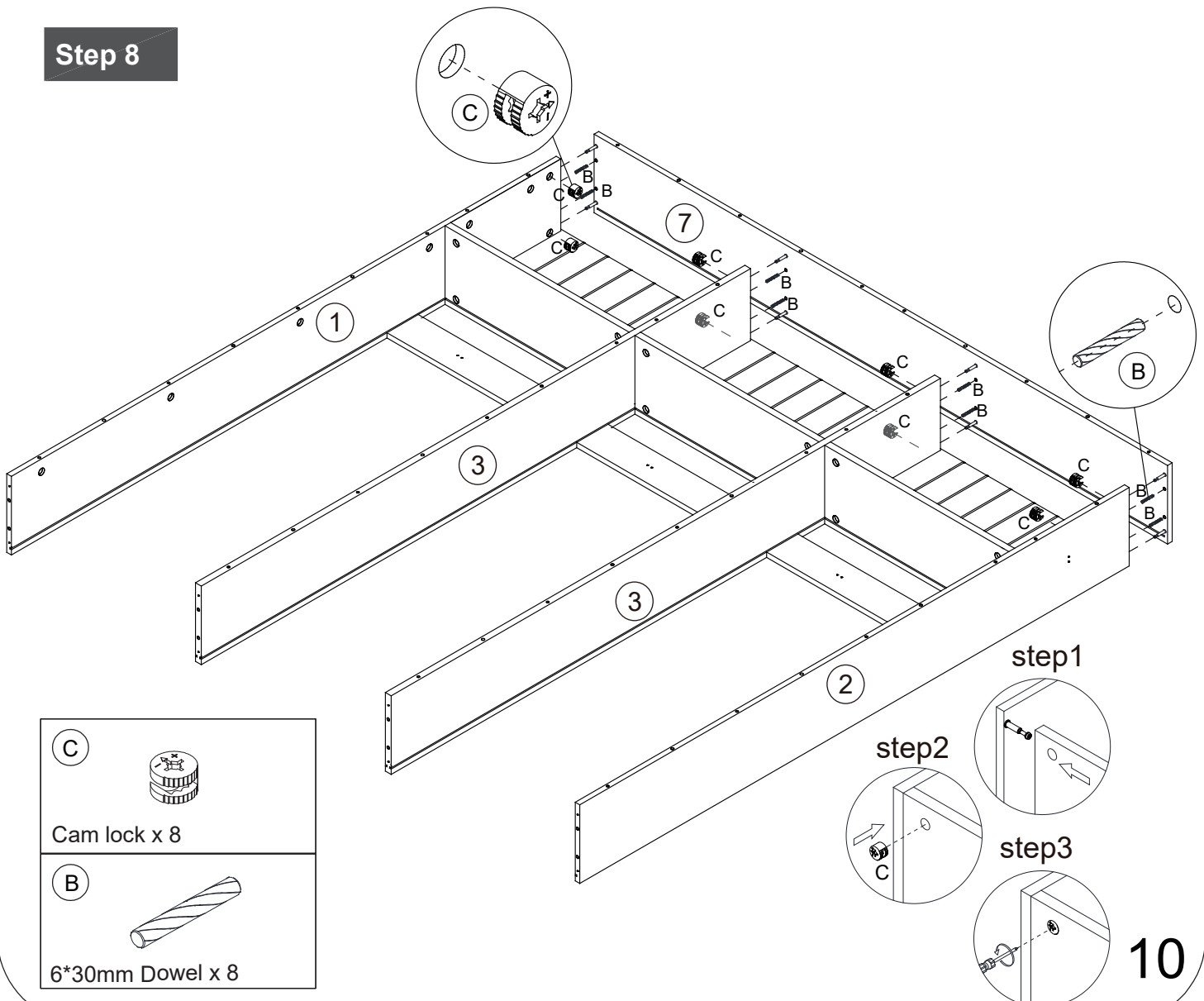


A



Cam Bolt x 8

## Step 8



C



Cam lock x 8

B



6\*30mm Dowel x 8

step1

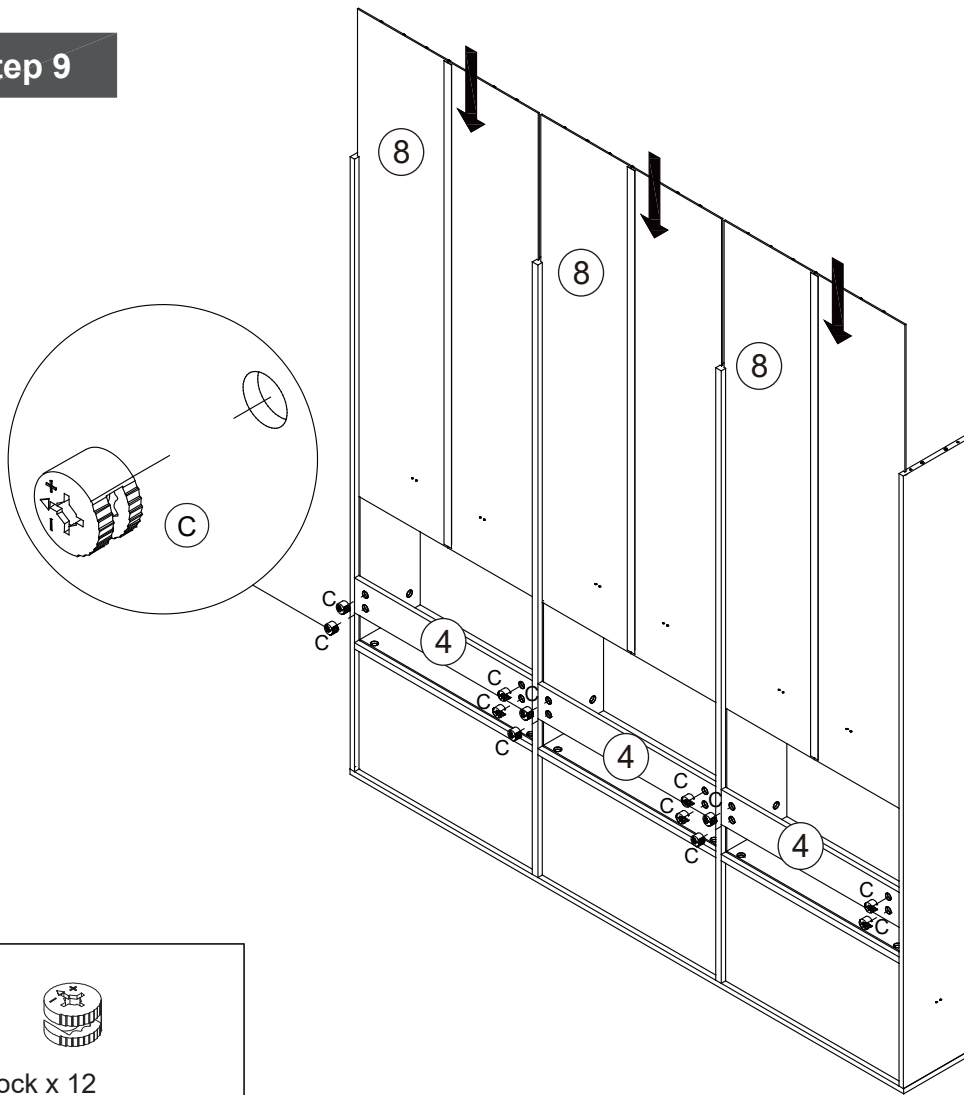
step2

step3

10

# Assembly Instructions

## Step 9

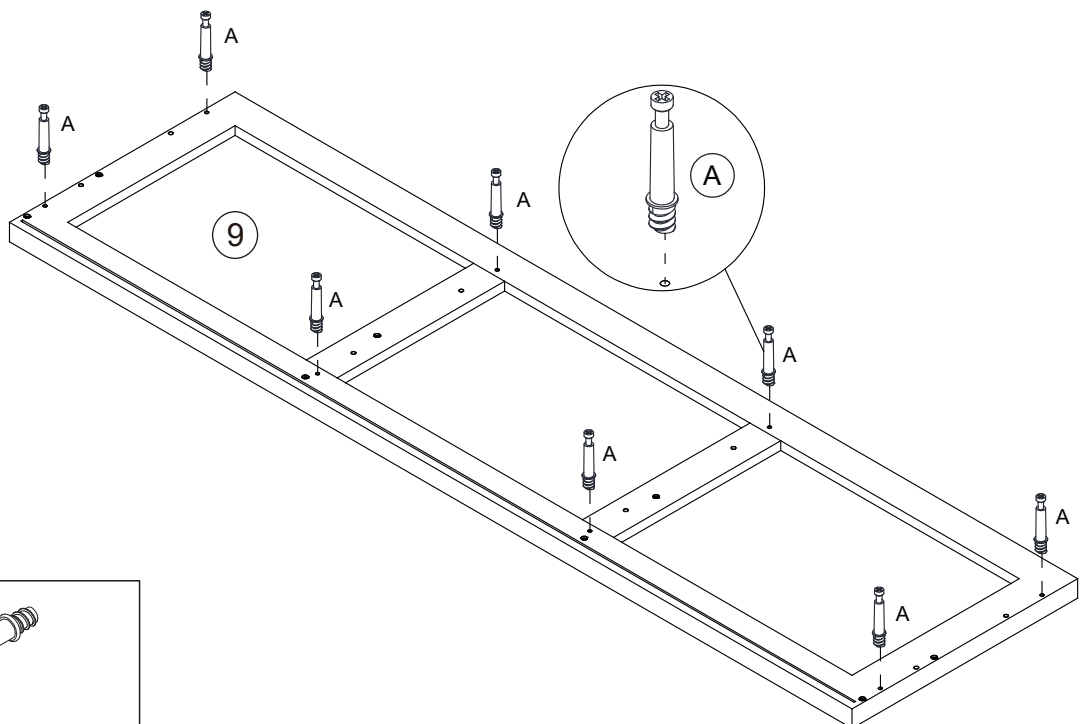


C

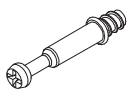


Cam lock x 12

## Step 10



A

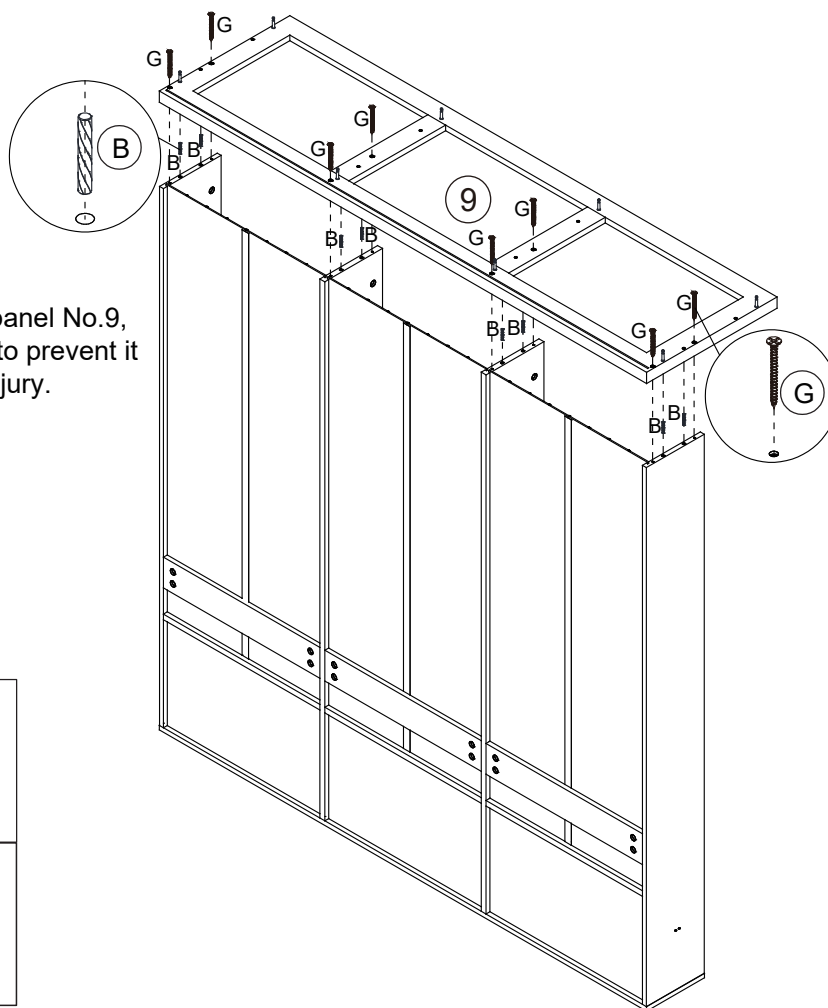


Cam Bolt x 8

# Assembly Instructions

## Step 11

Note that when installing panel No.9, one person should hold it to prevent it from falling and causing injury.

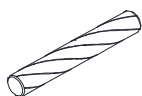


G



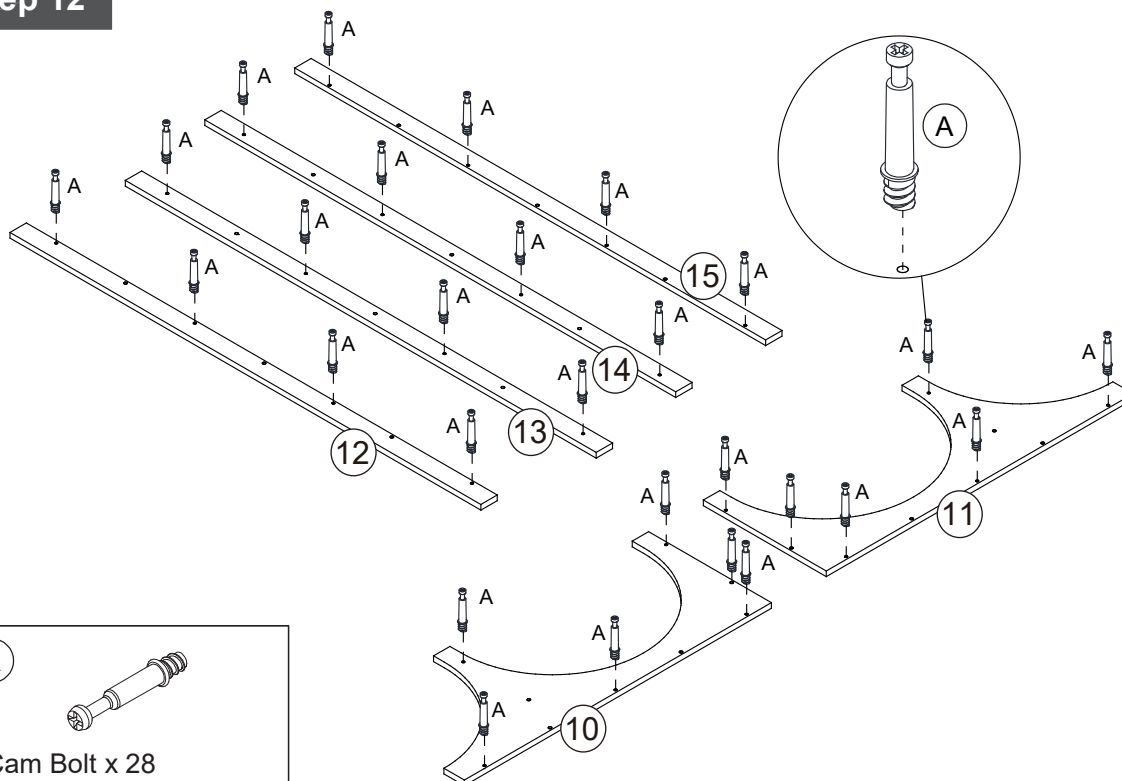
4\*40mm Screw x 8

B

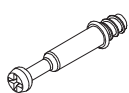


6\*30mm Dowel x 8

## Step 12



A



Cam Bolt x 28

# Assembly Instructions

## Step 13

F-F4

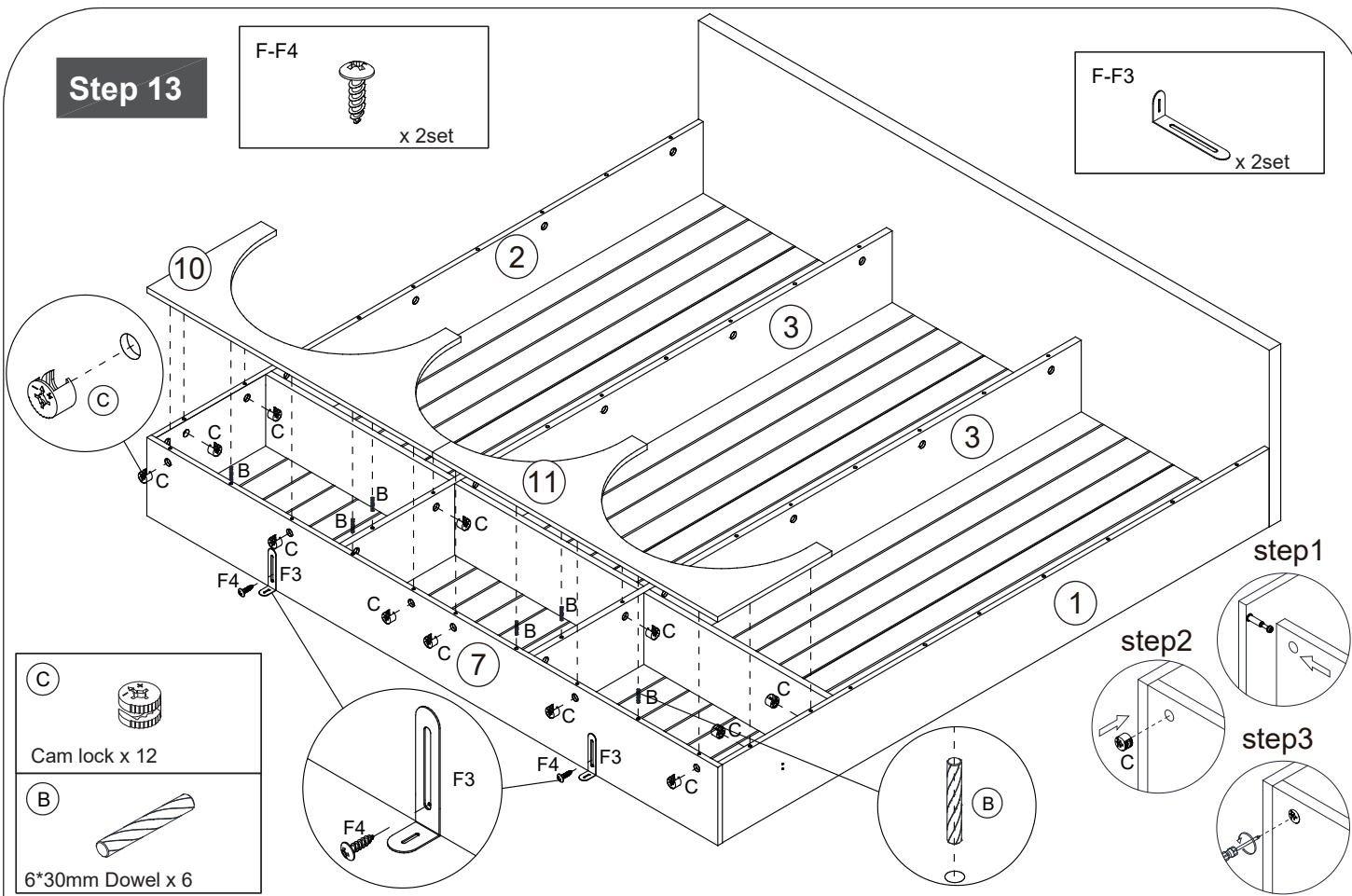


x 2set

F-F3



x 2set



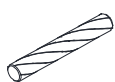
## Step 14

C

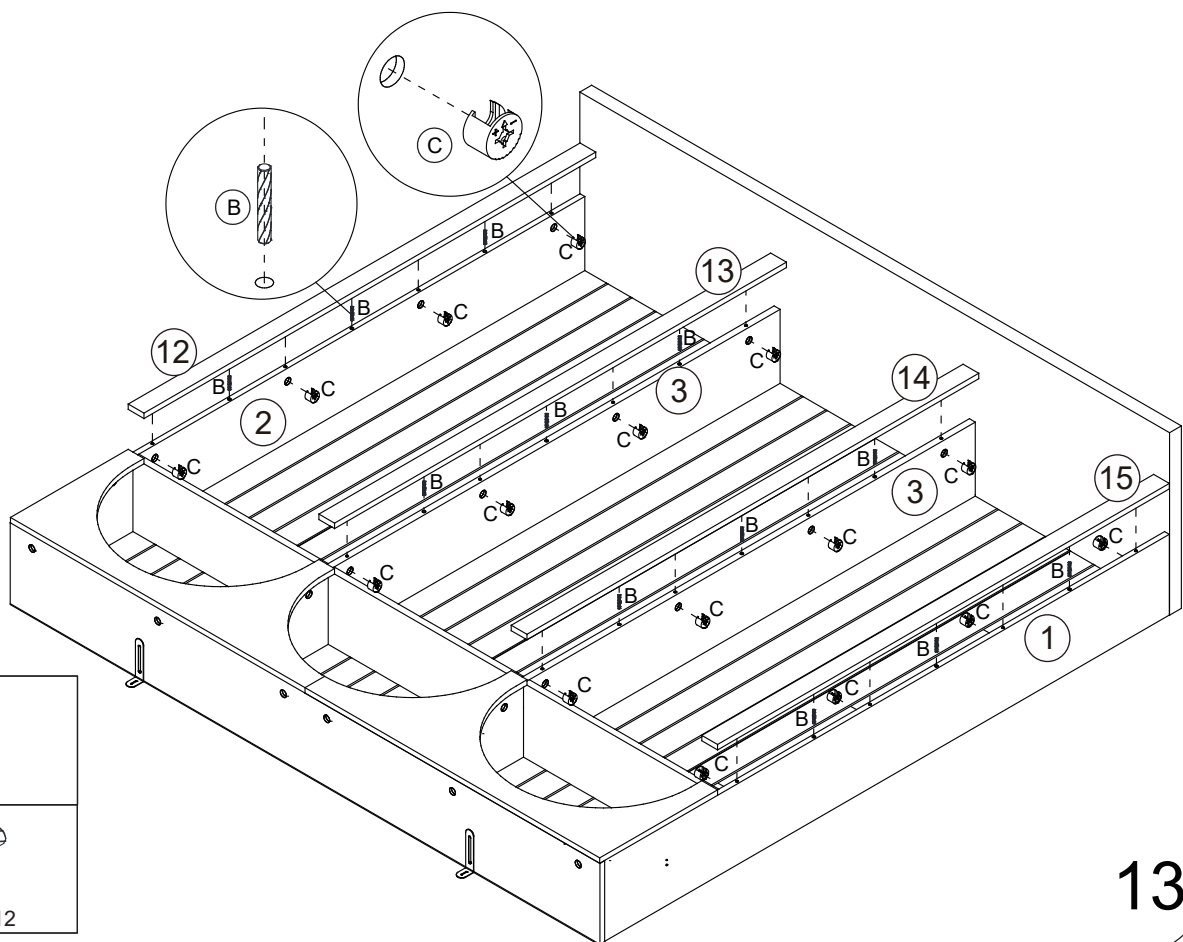


Cam lock x 16

B

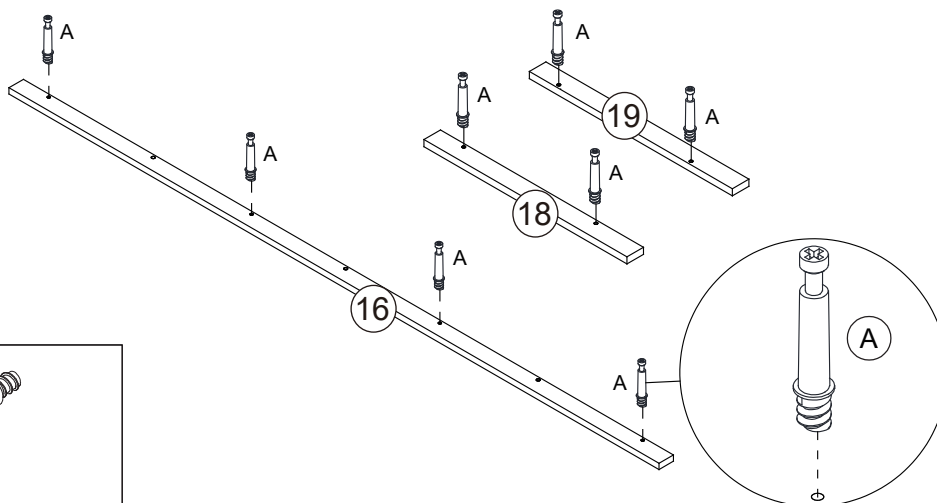


6\*30mm Dowel x 12

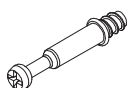


# Assembly Instructions

## Step 15

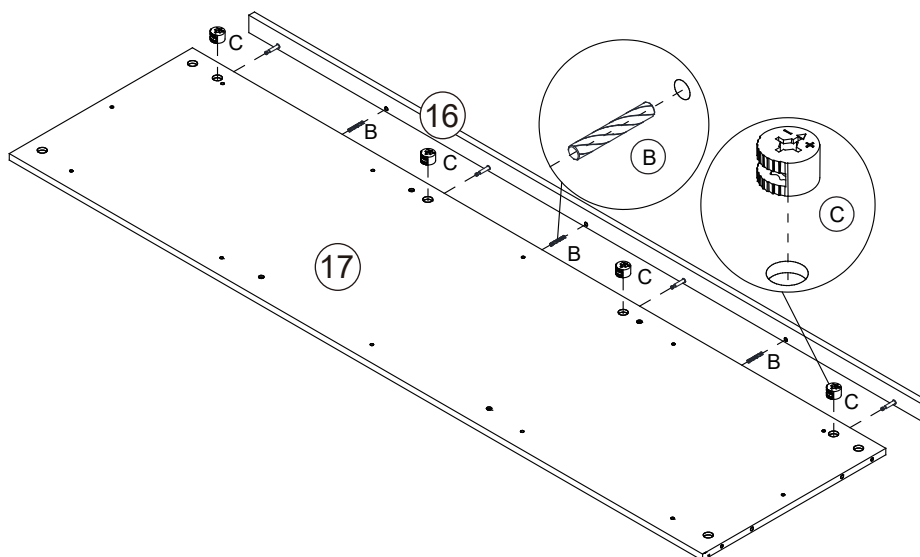


(A)



Cam Bolt x 8

## Step 16

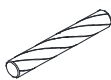


(C)



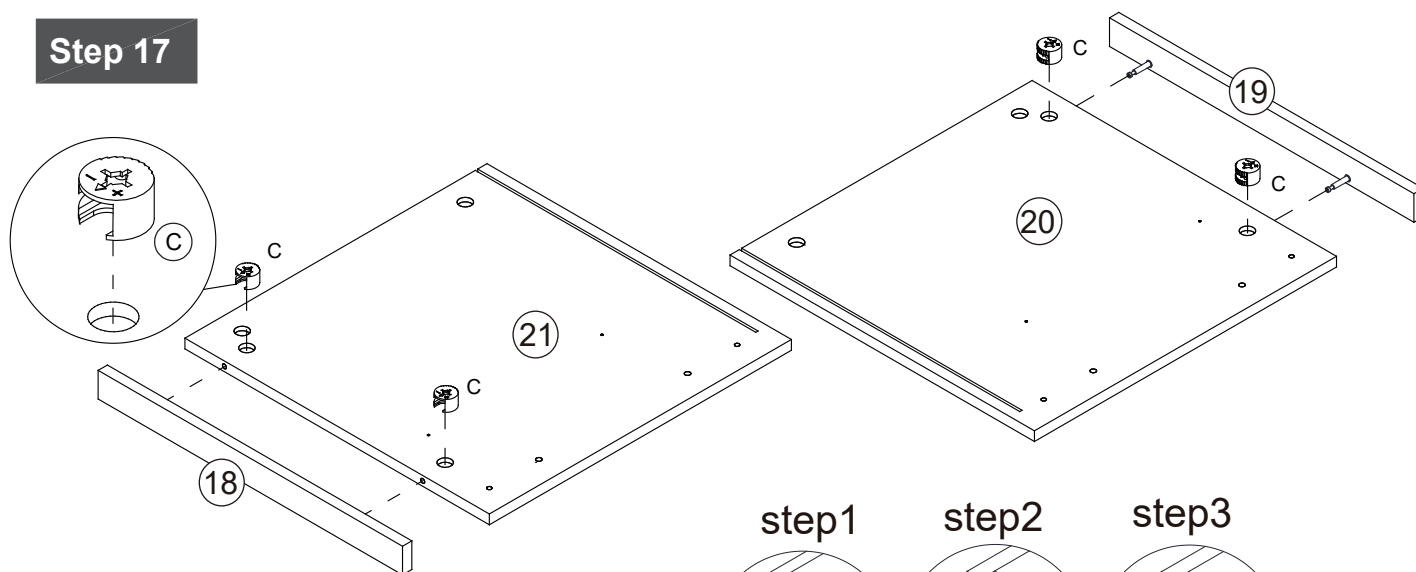
Cam lock x 4

(B)



6\*30mm Dowel x 3

## Step 17



(C)

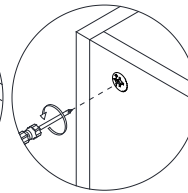
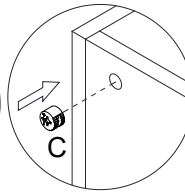
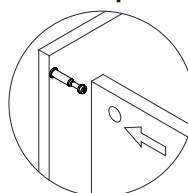


Cam lock x 4

step1

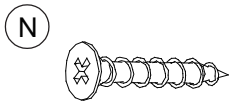
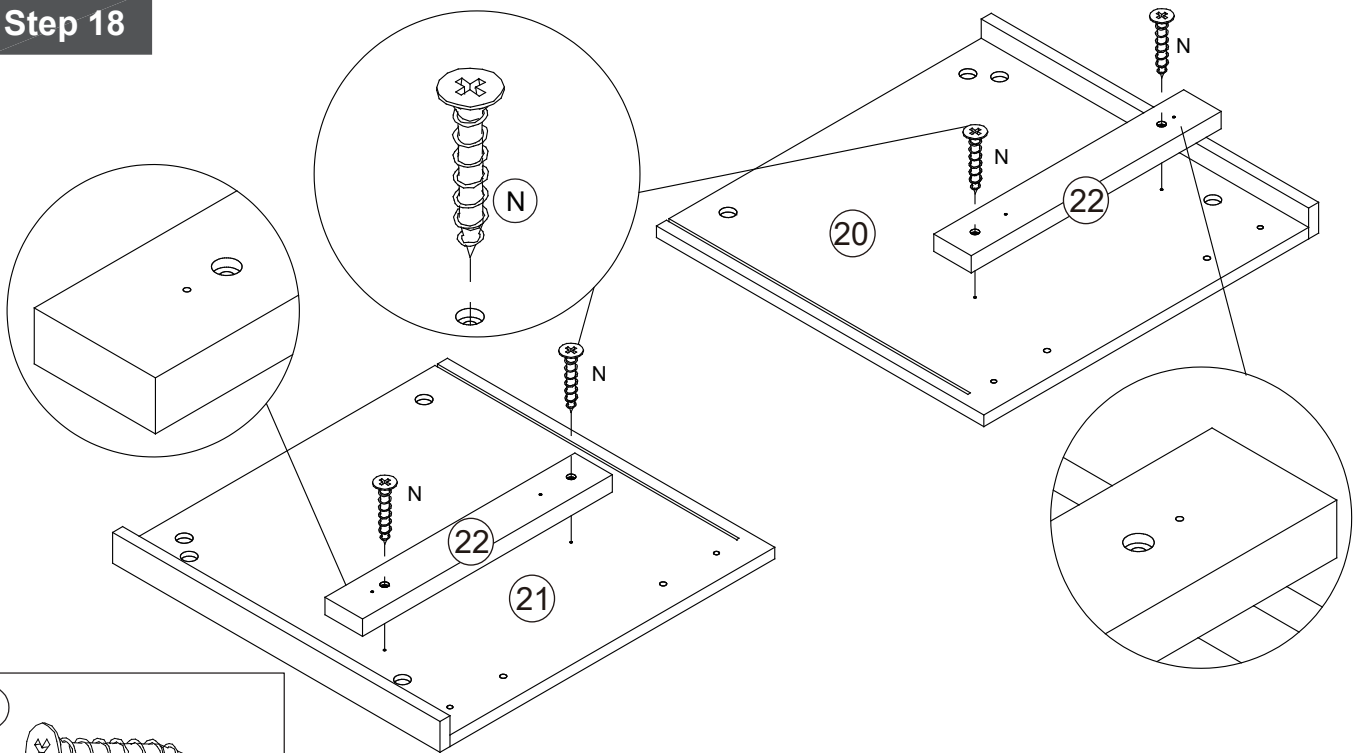
step2

step3



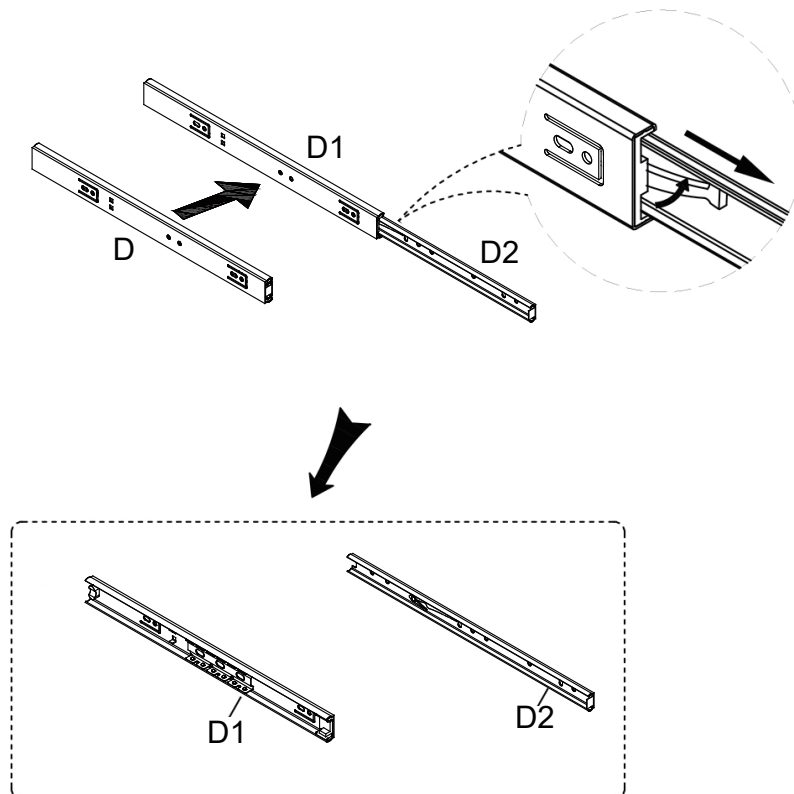
# Assembly Instructions

## Step 18



4\*25mm Screw x 4

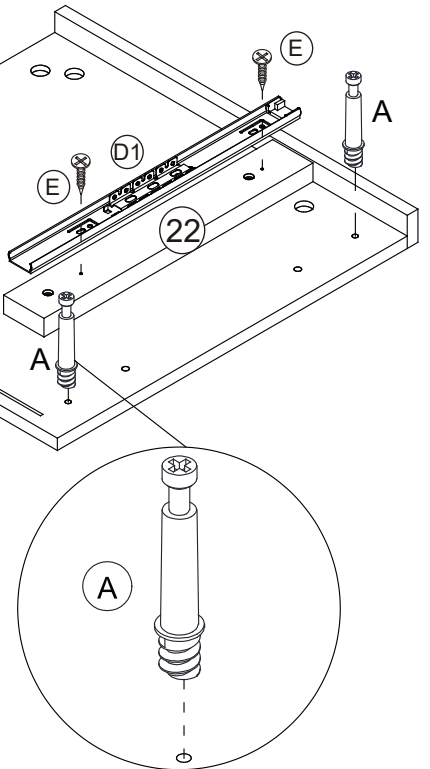
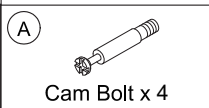
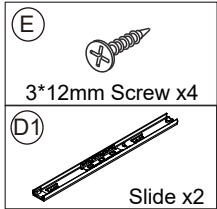
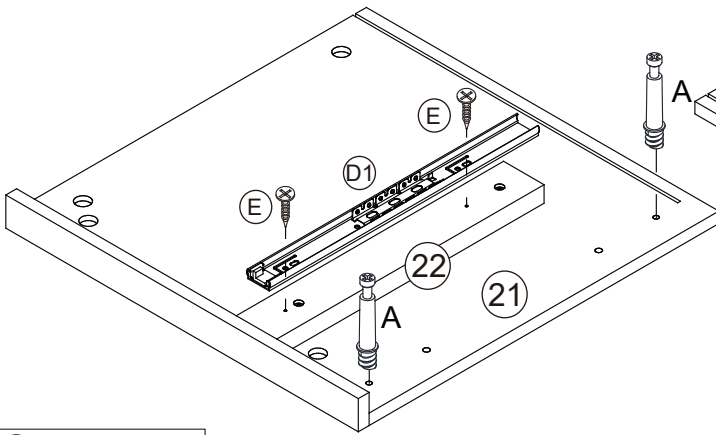
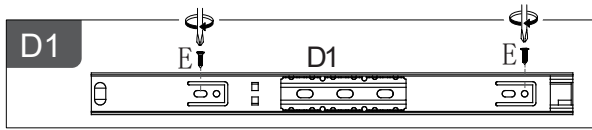
## Step 19



x6

# Assembly Instructions

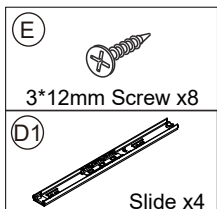
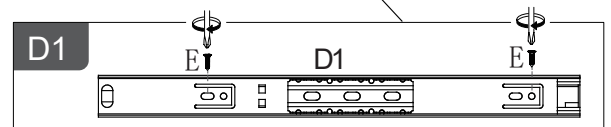
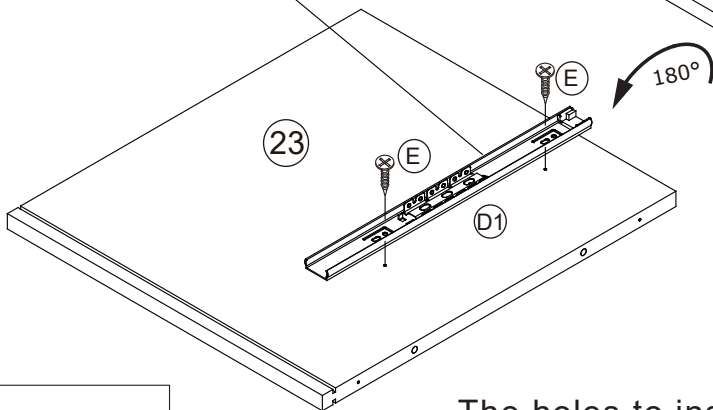
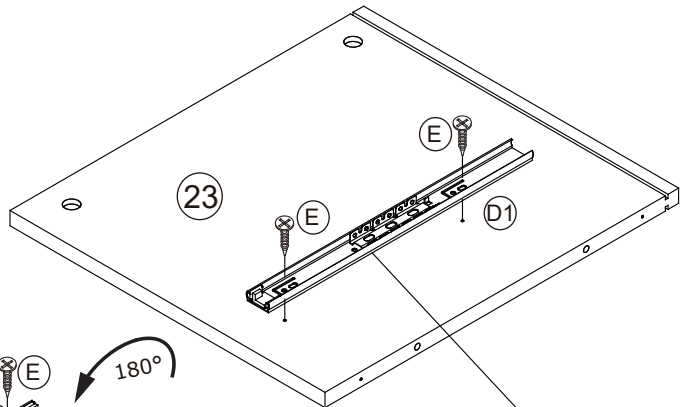
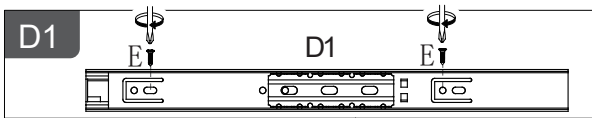
## Step 19



## Step 20

Both sides of the part#23 need to be installed with slide

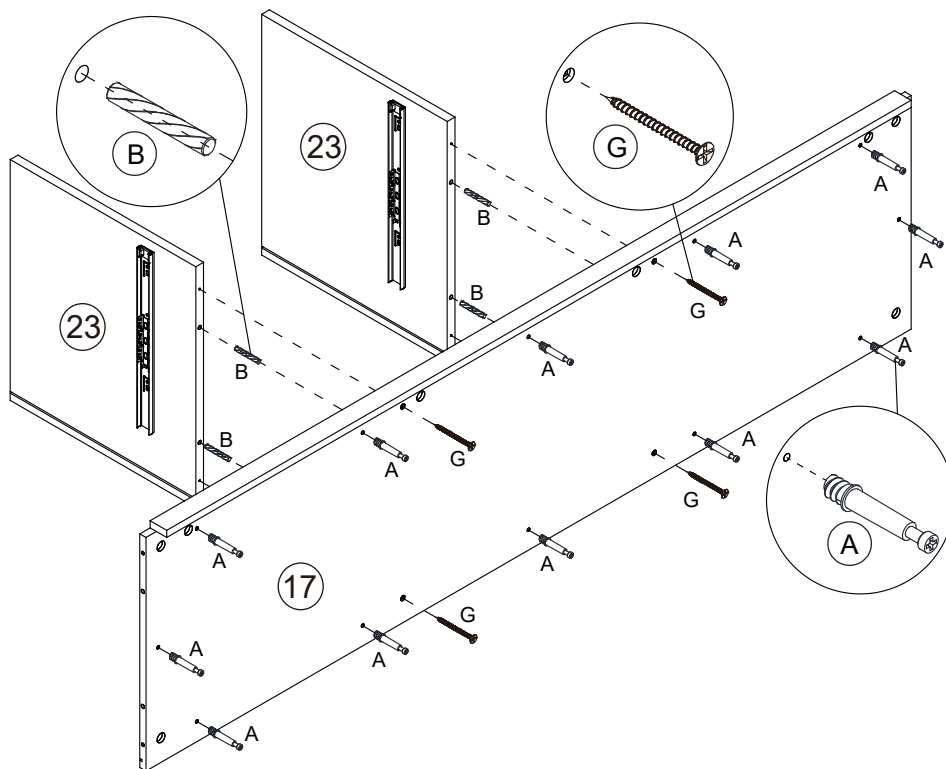
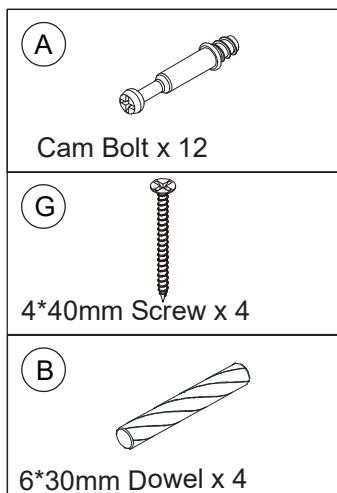
x2



The holes to install screws for the rails on the two sides of the board 23 are different. Please refer to the markings in the figure.

# Assembly Instructions

## Step 21

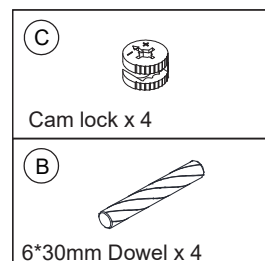
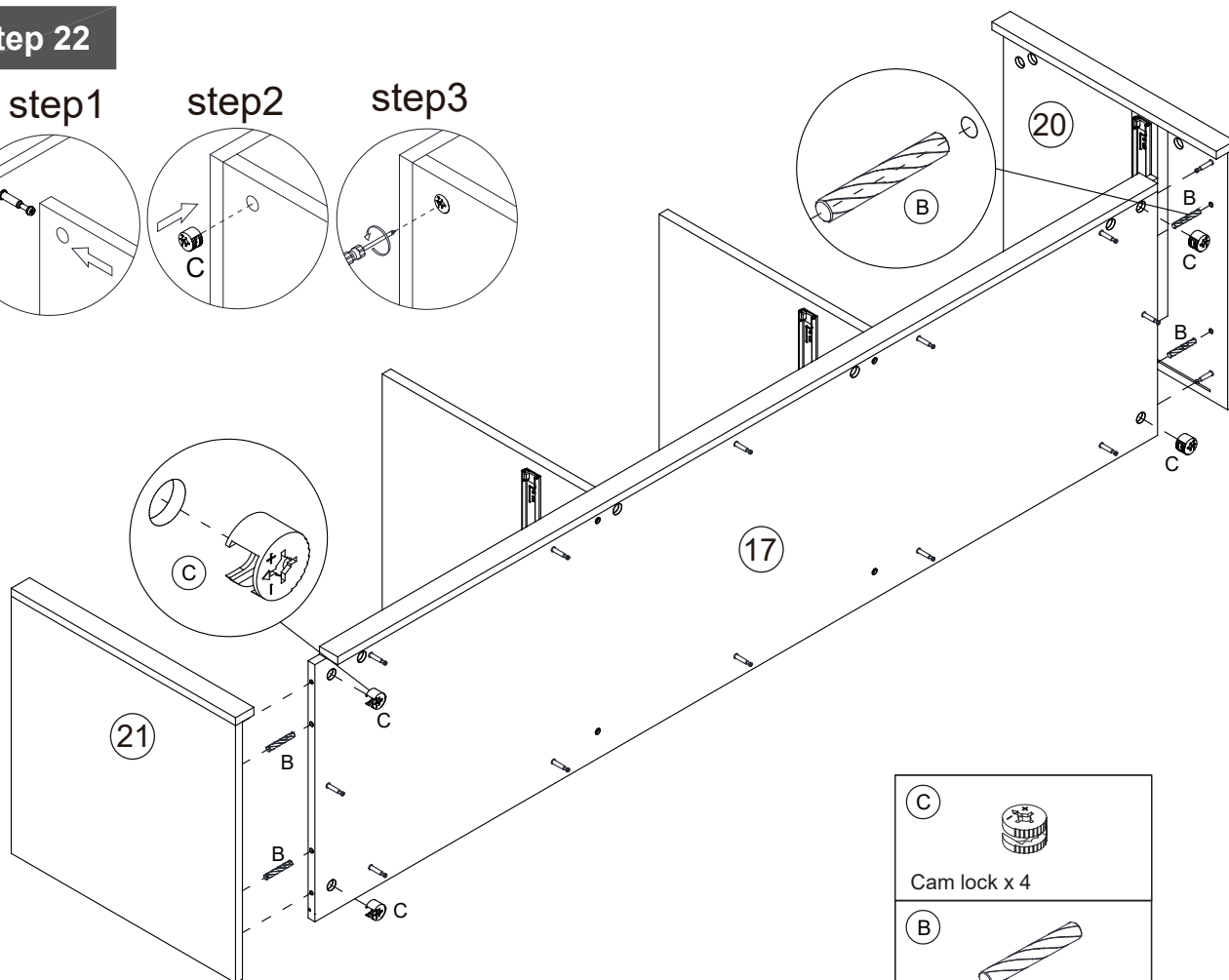
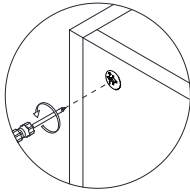
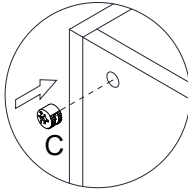
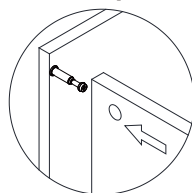


## Step 22

step1

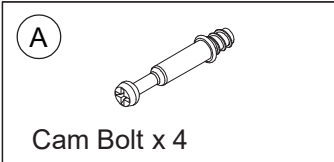
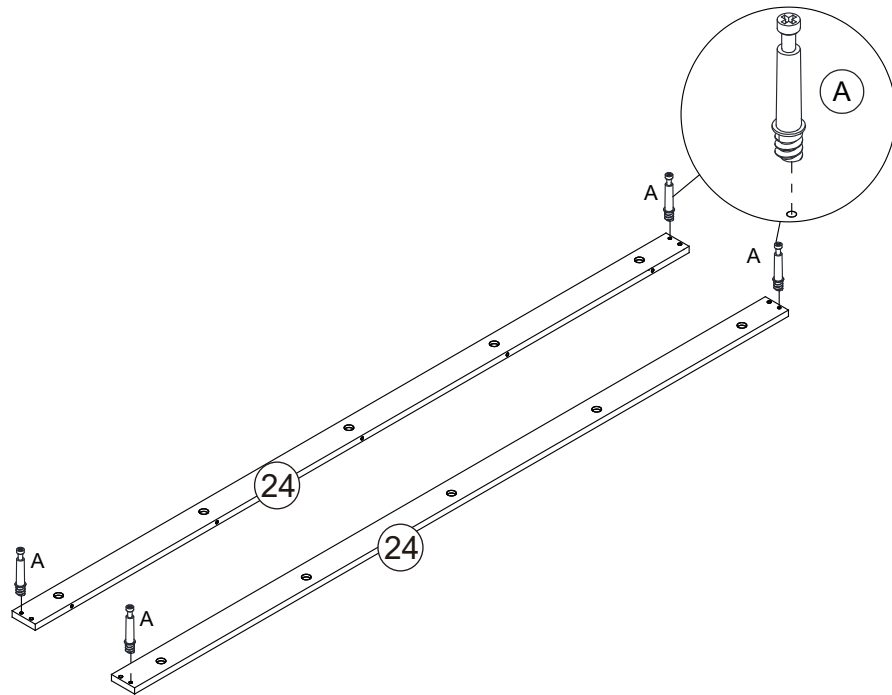
step2

step3

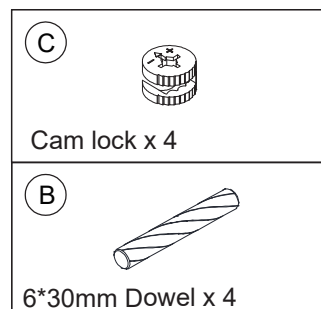
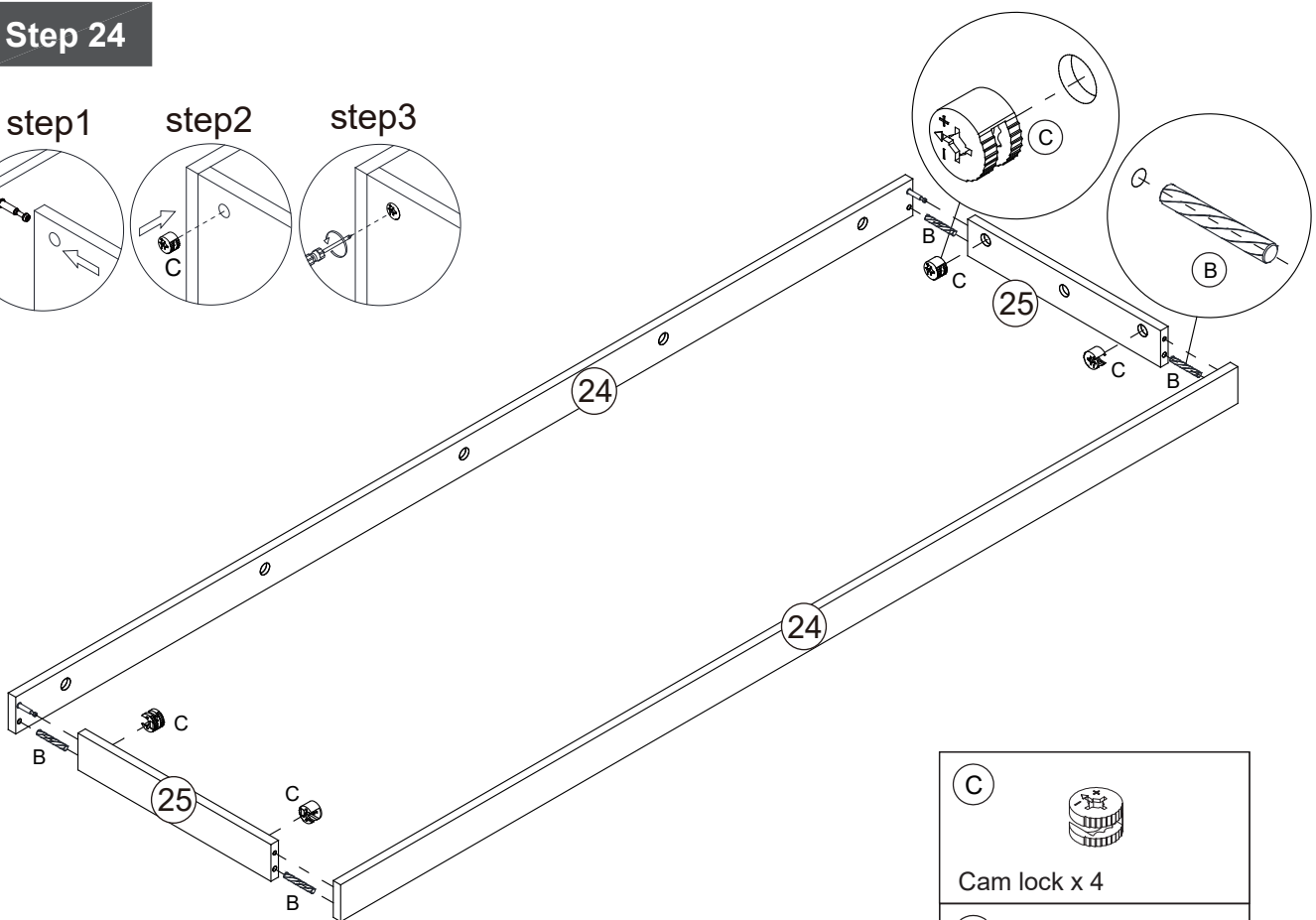
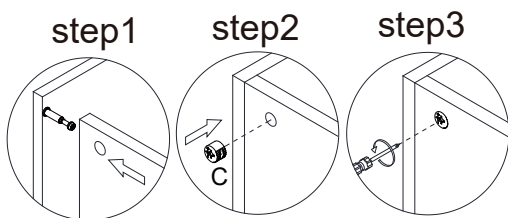


# Assembly Instructions

## Step 23

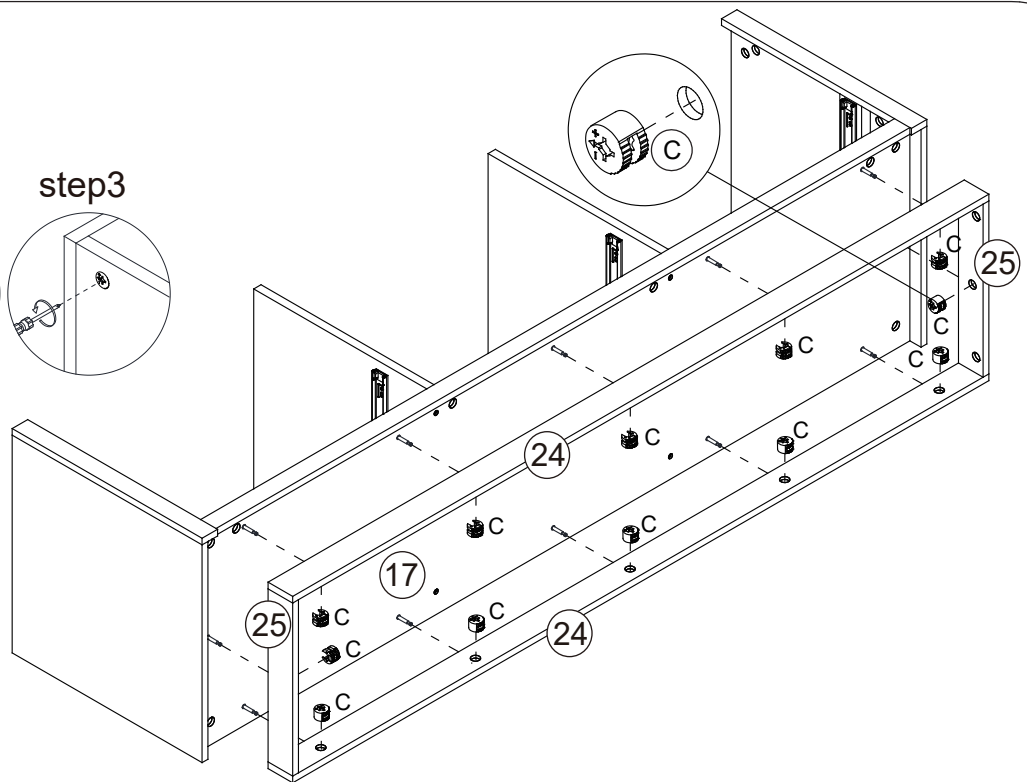
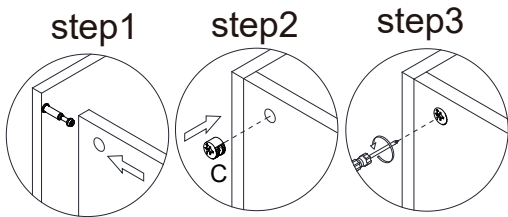


## Step 24

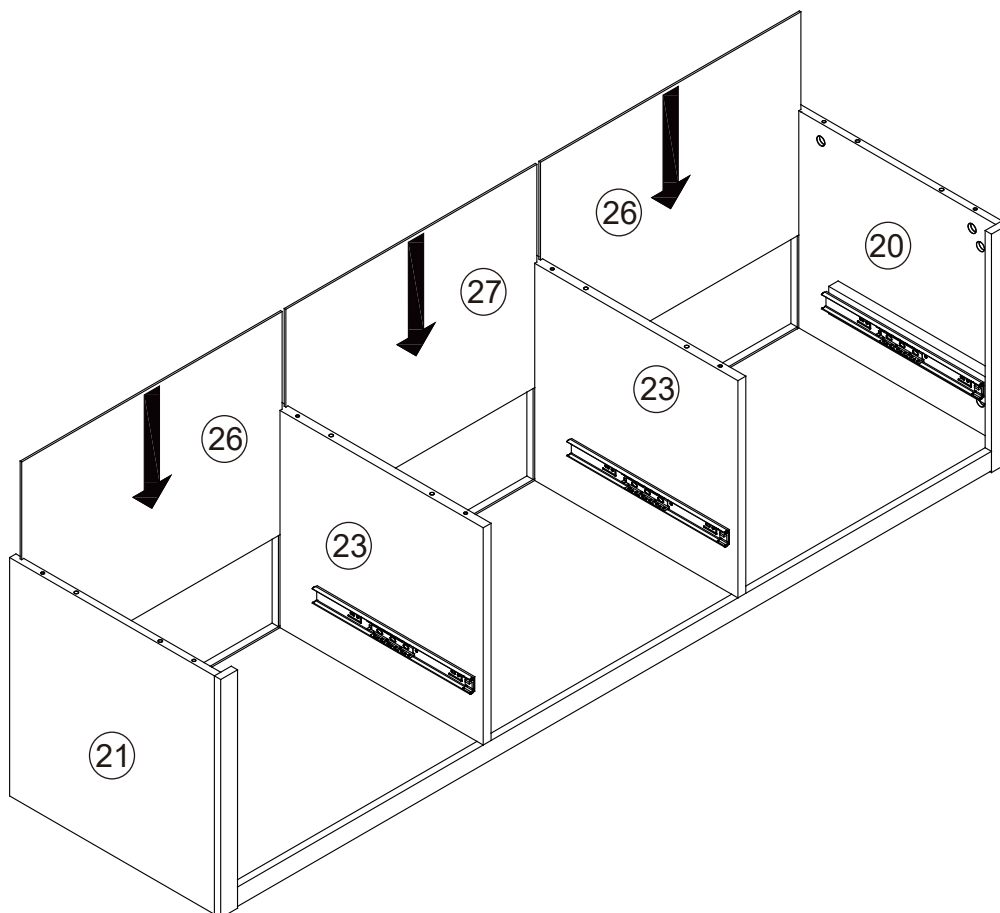


# Assembly Instructions

## Step 25



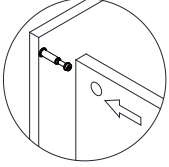
## Step 26



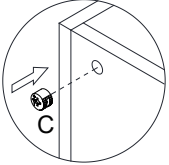
# Assembly Instructions

## Step 27

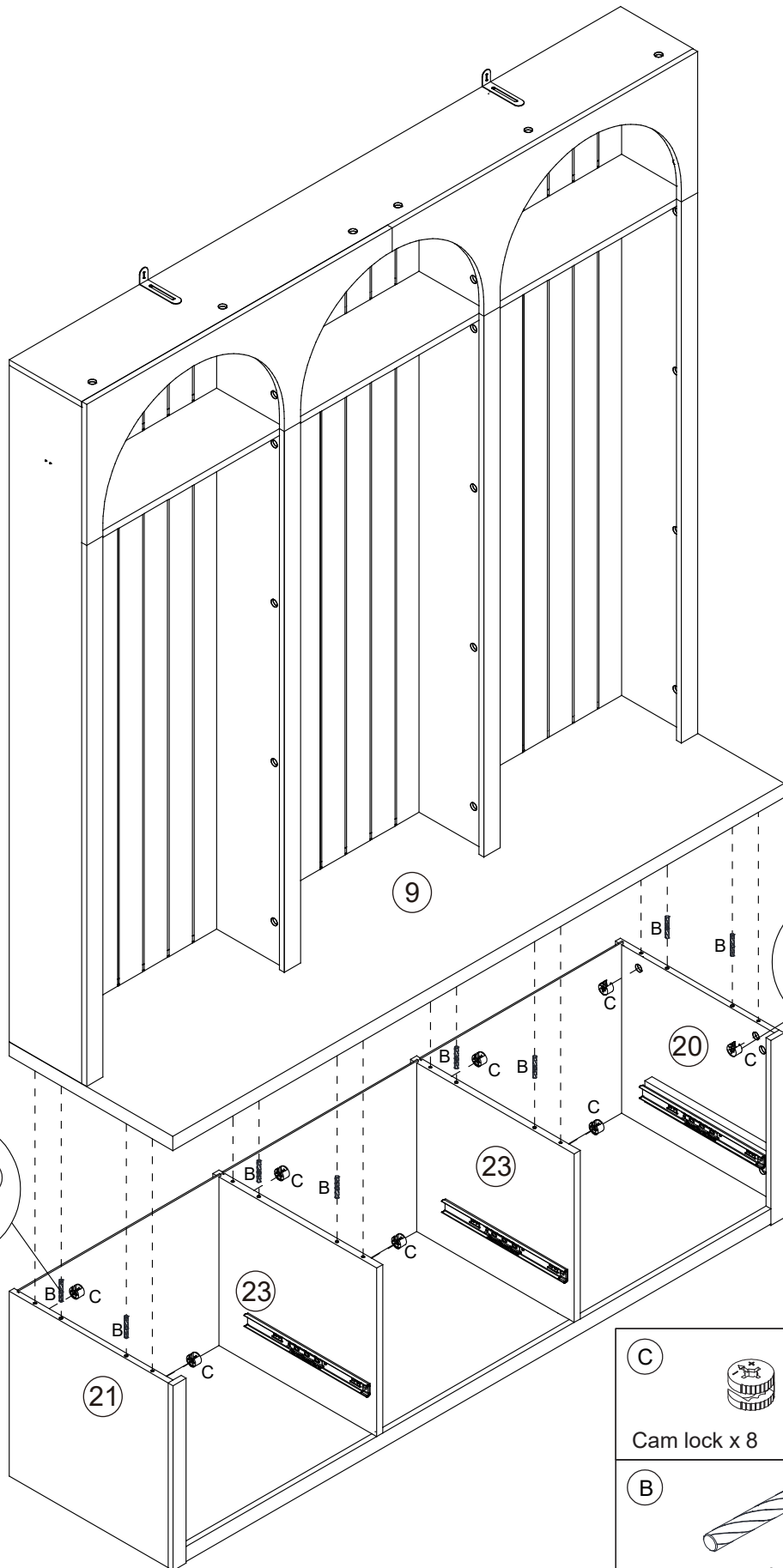
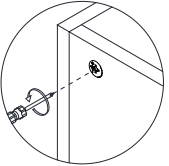
step1





step2



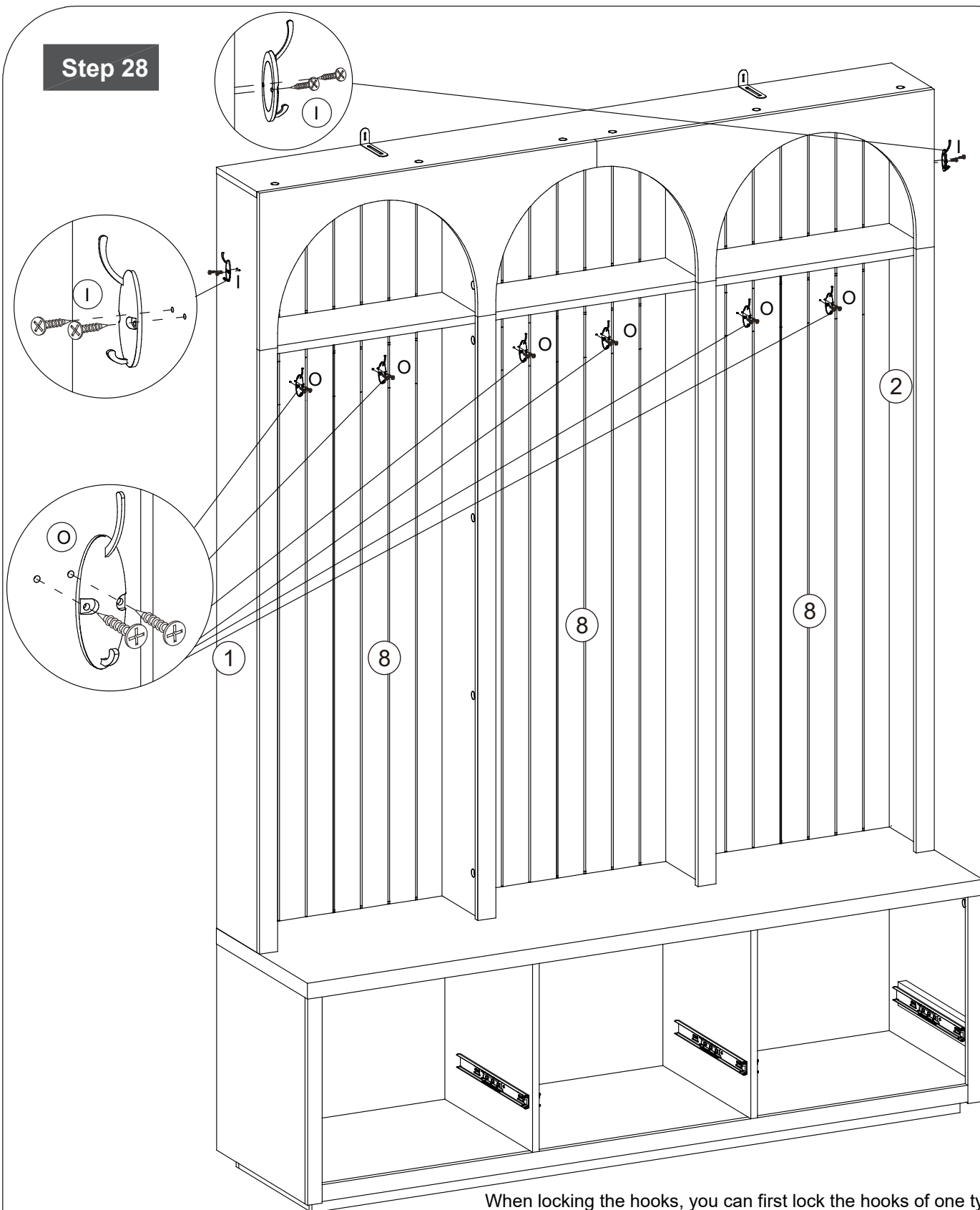
step3



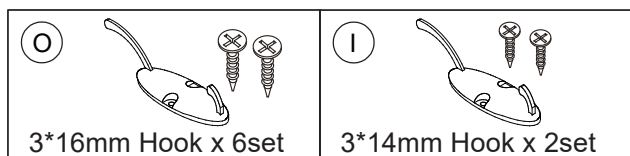
(C)	
Cam lock x 8	
(B)	
6*30mm Dowel x 8	

# Assembly Instructions

## Step 28

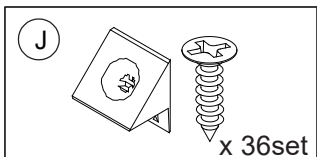
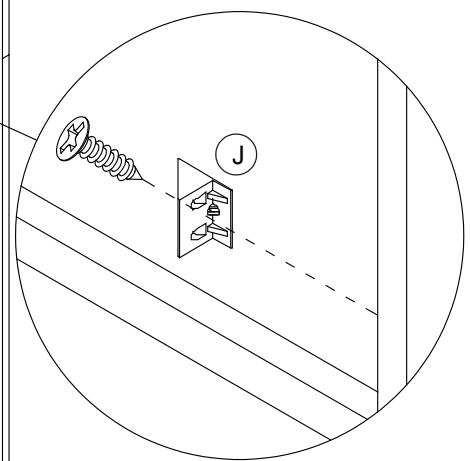
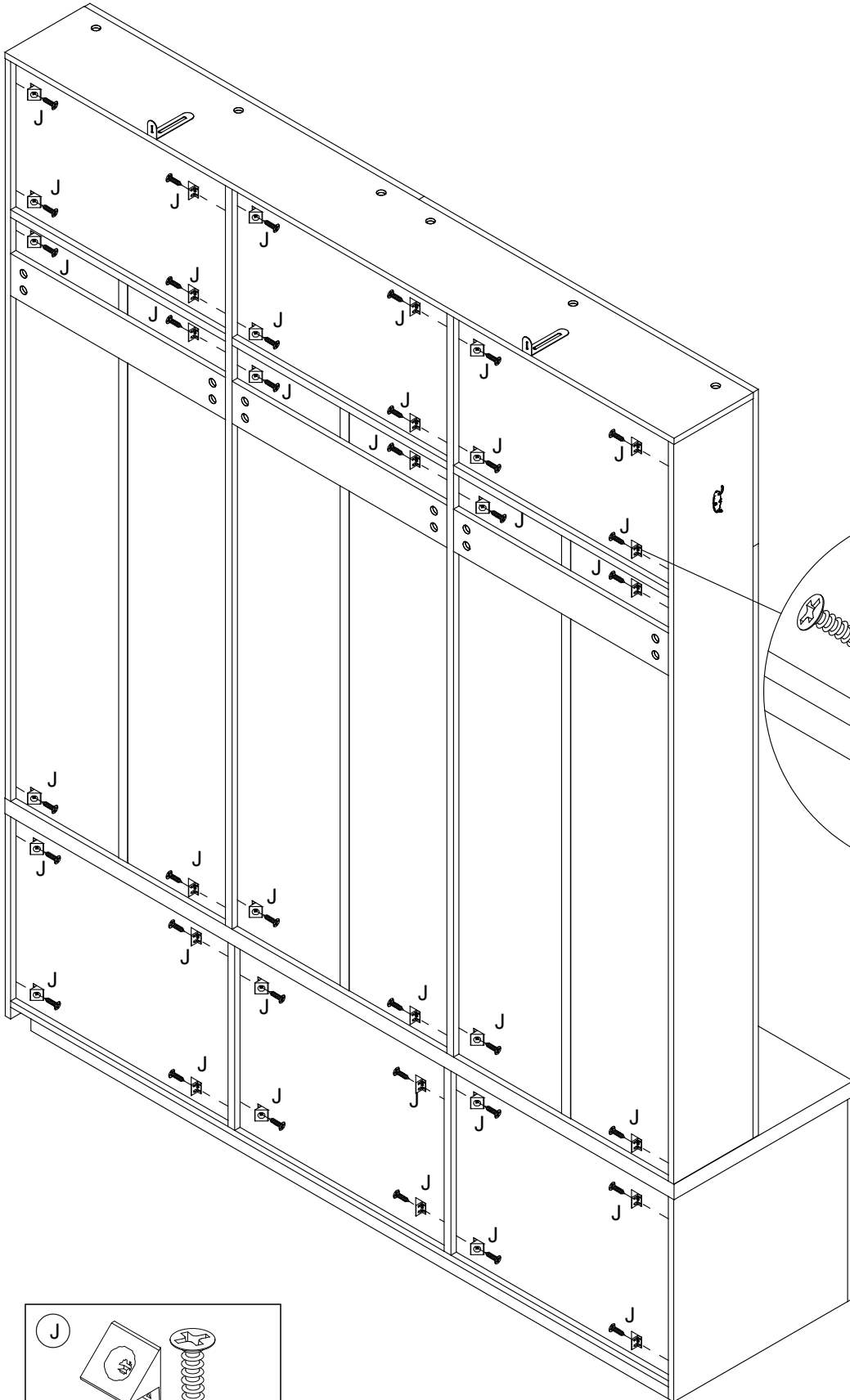


When locking the hooks, you can first lock the hooks of one type of numbering, and then lock the hooks of the other type of numbering. Pay attention to the fact that the lengths of the screws for the two types of hooks are different, so as to avoid locking them incorrectly.



# Assembly Instructions

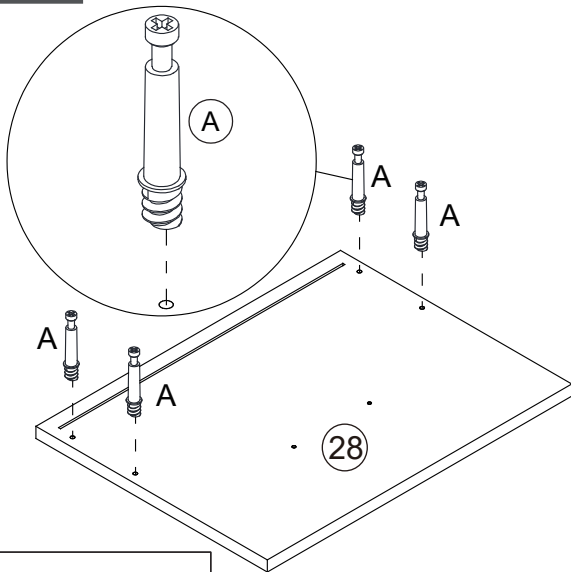
## Step 29



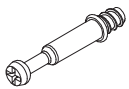
# Assembly Instructions

Step 30

x3

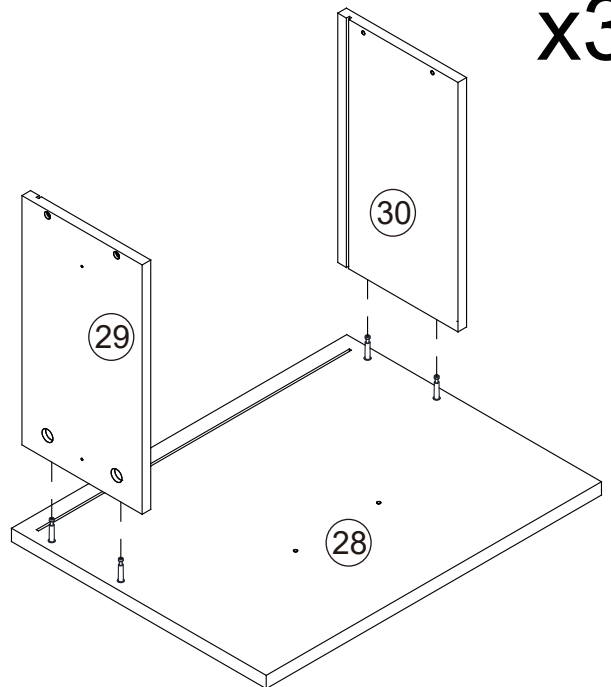


A



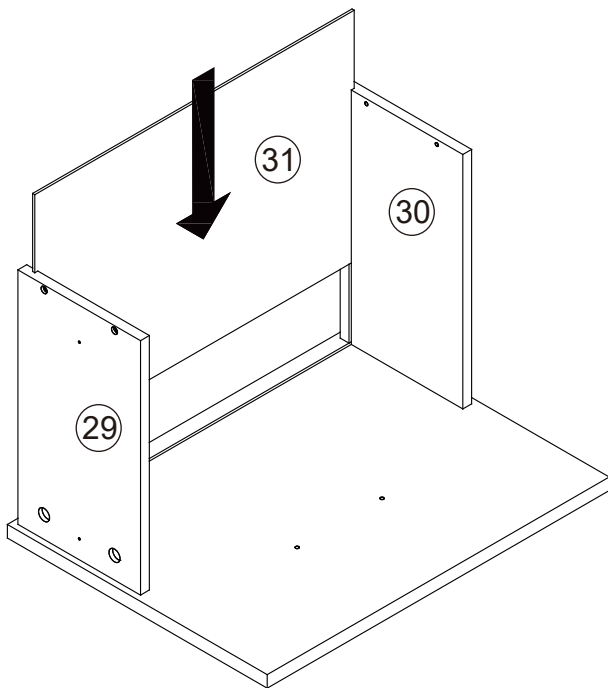
Cam Bolt x12

x3

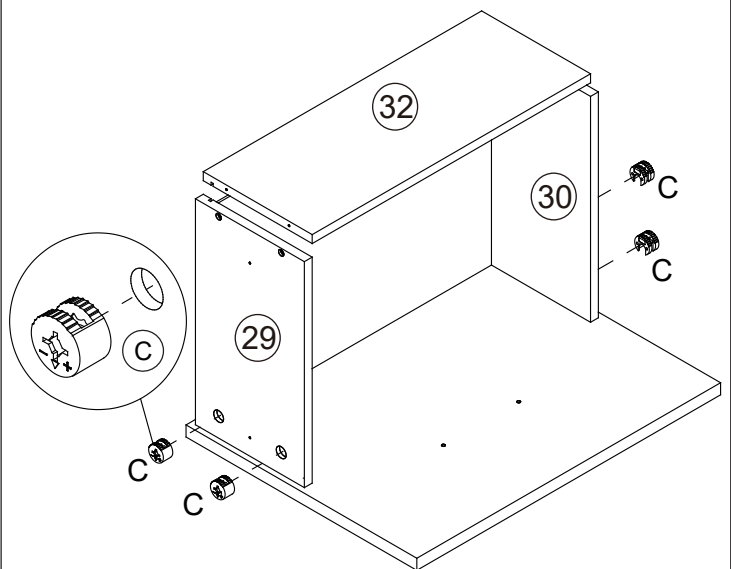


Step 31

x3



x3



C



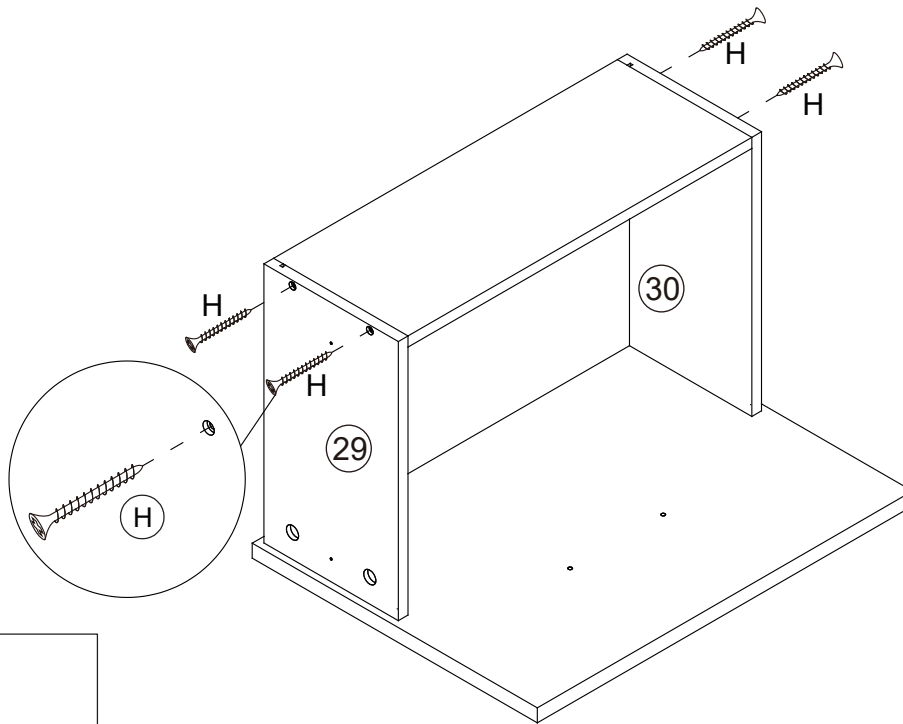
Cam lock x 12

23

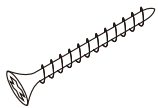
# Assembly Instructions

Step 32

x3



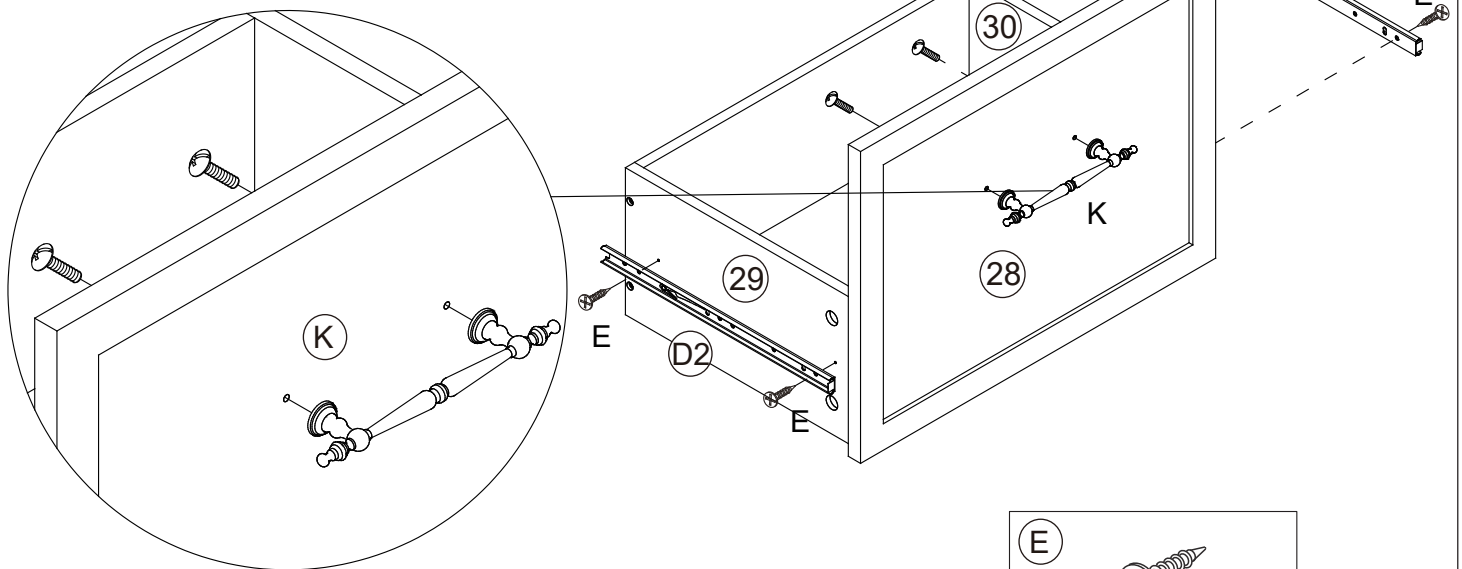
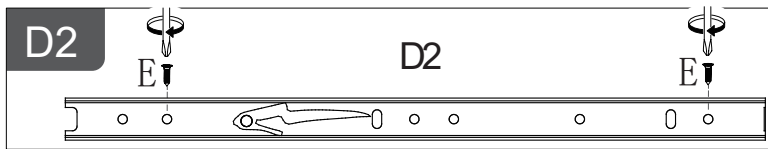
H



4\*30mm Screw x 12

Step 33

x3

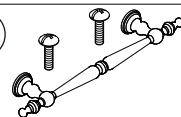


E



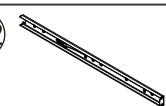
3\*12mm Screw x 12

K



4\*16mm Handle x 3set

D2

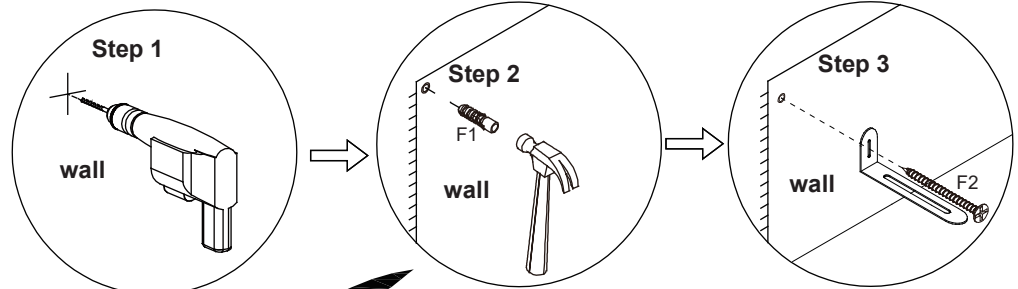


Slide x 6

24

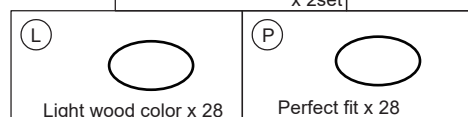
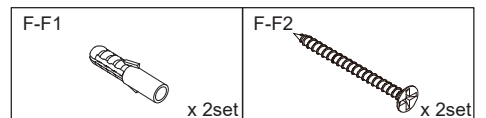
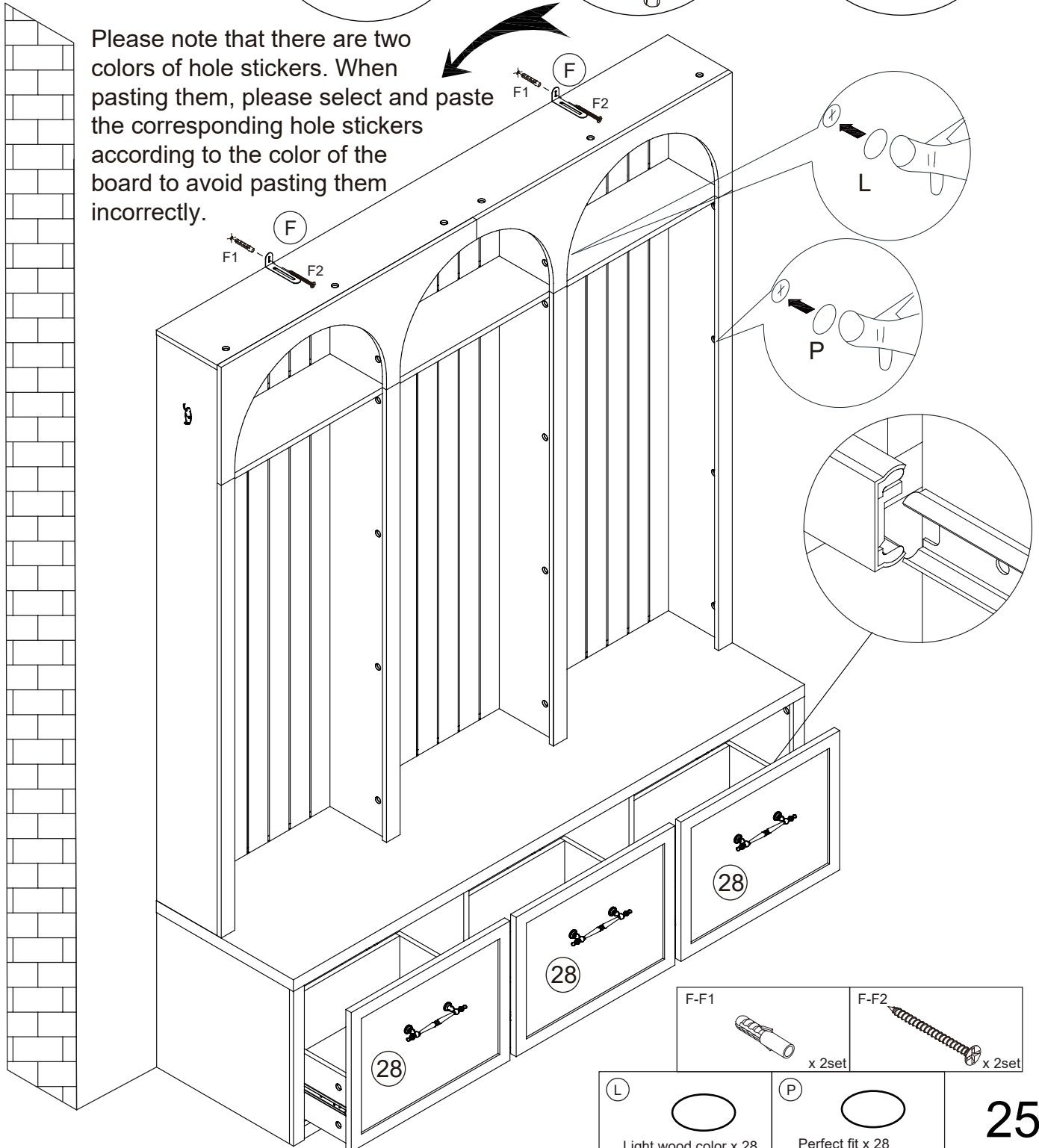
# Assembly Instructions

## Step 34



### WALL

Please note that there are two colors of hole stickers. When pasting them, please select and paste the corresponding hole stickers according to the color of the board to avoid pasting them incorrectly.



# Assembly Instructions

Finish

