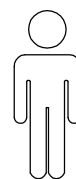
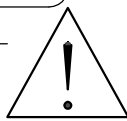
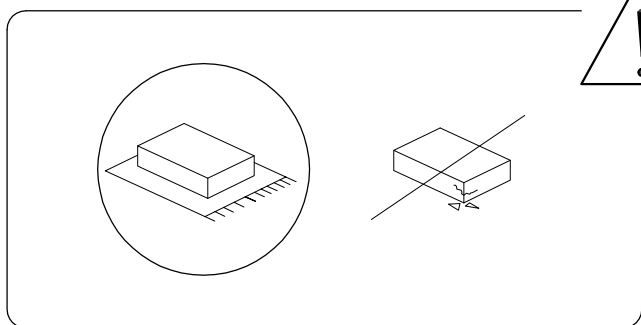

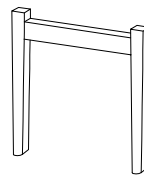
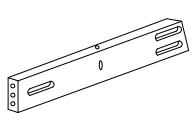
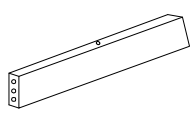

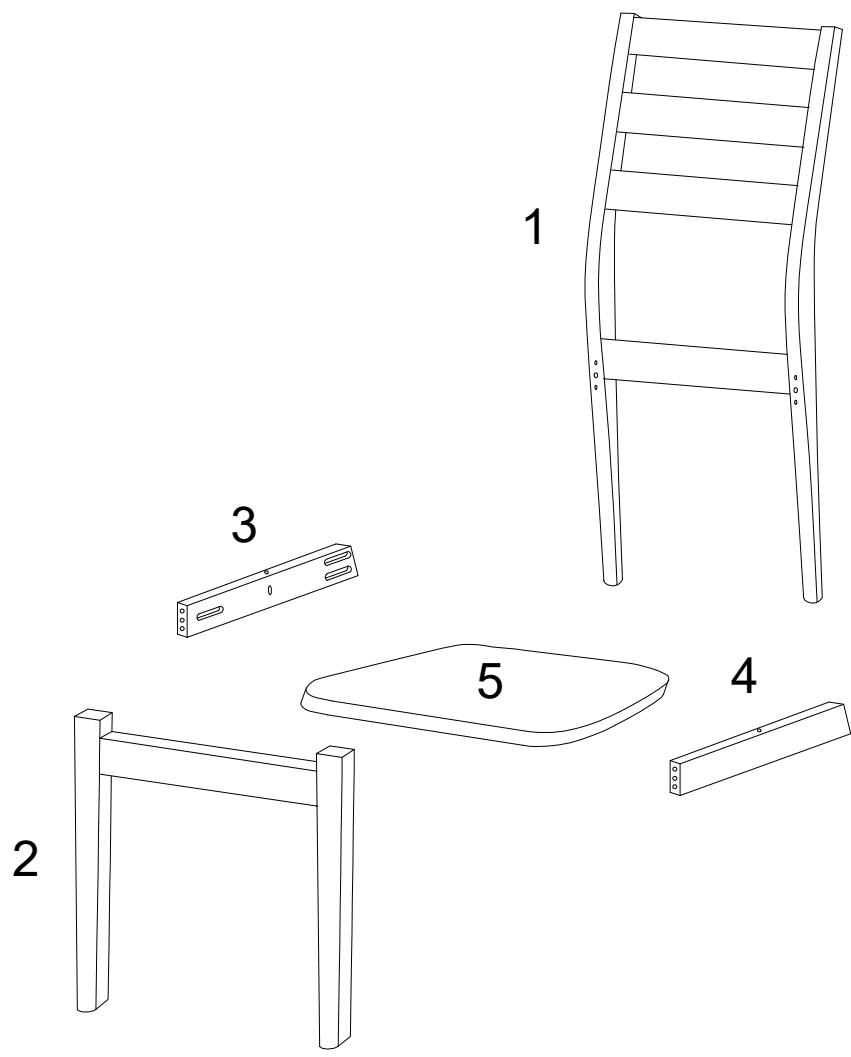


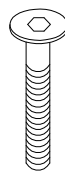
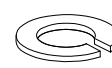
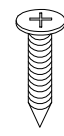
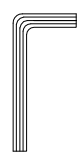
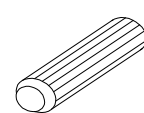
30'

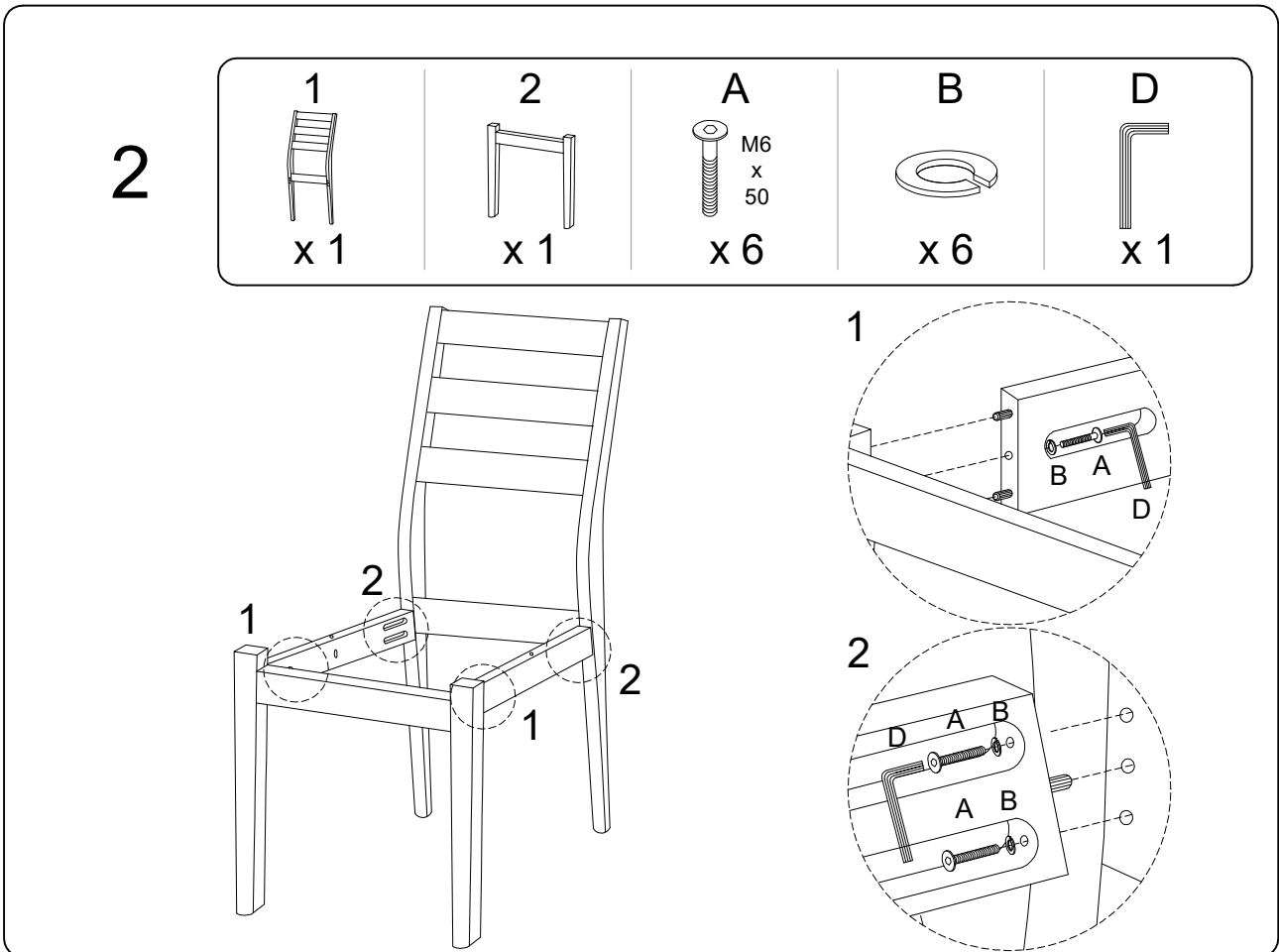
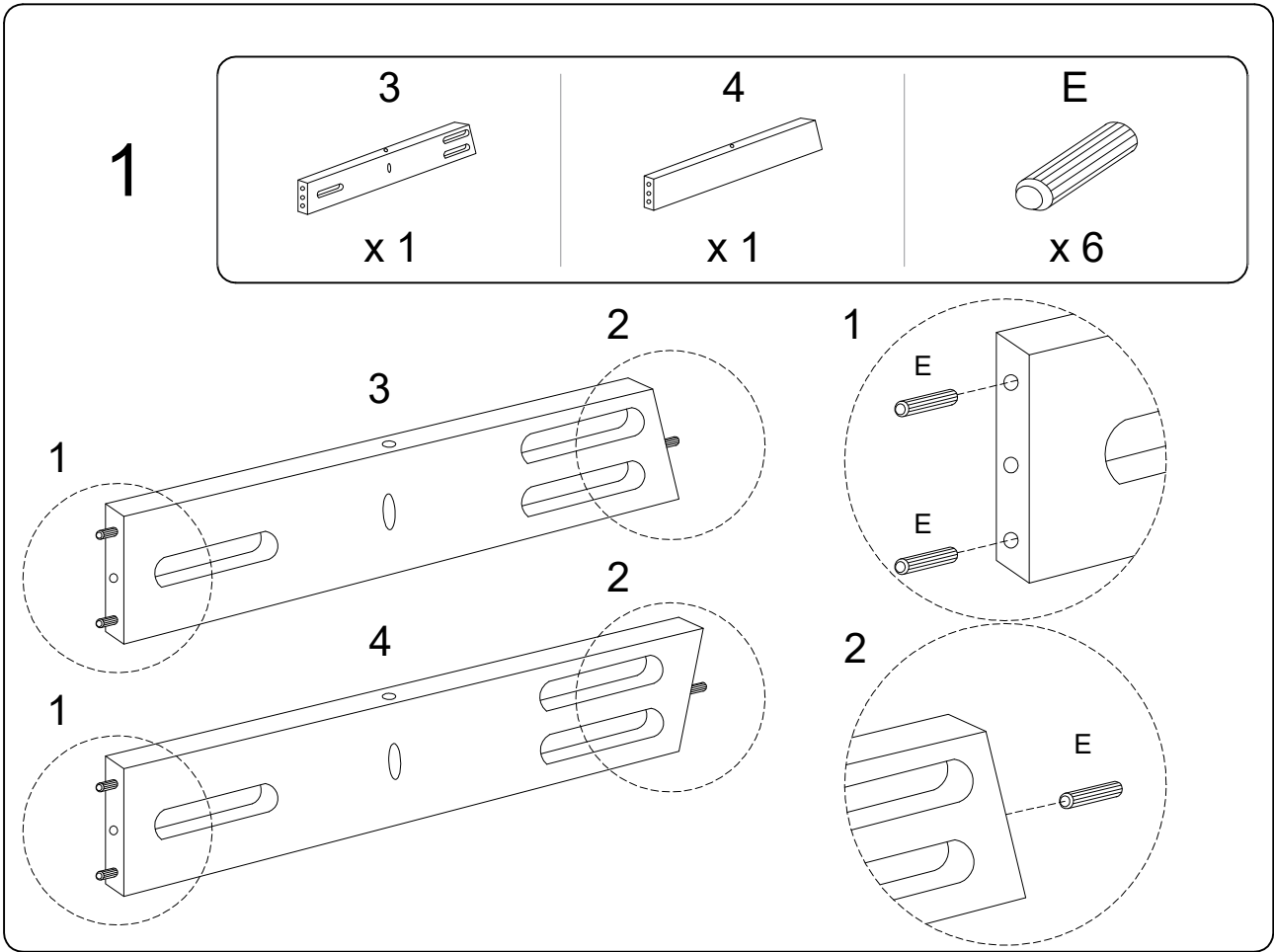


1

<p><b>1</b></p>  <p><b>x 2</b></p>	<p><b>2</b></p>  <p><b>x 2</b></p>	<p><b>3</b></p>  <p><b>x 2</b></p>	<p><b>4</b></p>  <p><b>x 2</b></p>	<p><b>5</b></p>  <p><b>x 2</b></p>
---------------------------------------------------------------------------------------------------------------------	---------------------------------------------------------------------------------------------------------------------	---------------------------------------------------------------------------------------------------------------------	----------------------------------------------------------------------------------------------------------------------	-----------------------------------------------------------------------------------------------------------------------



<p><b>A</b></p>  <p>M6 x 50</p> <p><b>x 12</b></p>	<p><b>B</b></p>  <p><b>x 12</b></p>	<p><b>C</b></p>  <p>M4 x 32</p> <p><b>x 6</b></p>	<p><b>D</b></p>  <p><b>x 1</b></p>	<p><b>E</b></p>  <p><b>x 12</b></p>
-----------------------------------------------------------------------------------------------------------------------------------------------	------------------------------------------------------------------------------------------------------------------------	----------------------------------------------------------------------------------------------------------------------------------------------	-------------------------------------------------------------------------------------------------------------------------	--------------------------------------------------------------------------------------------------------------------------



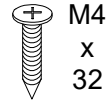
3

5



x 1

C



x 3

