

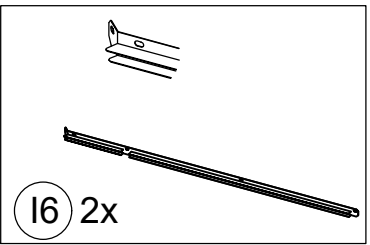
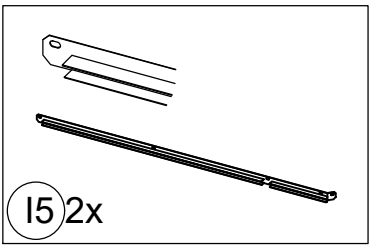
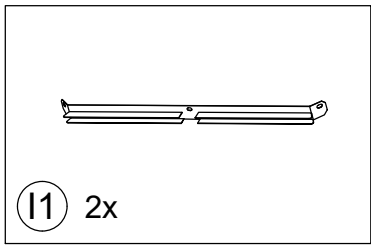
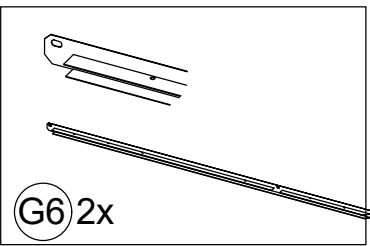
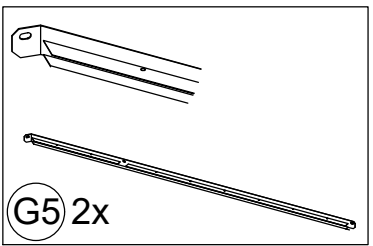
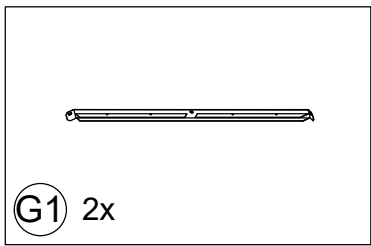
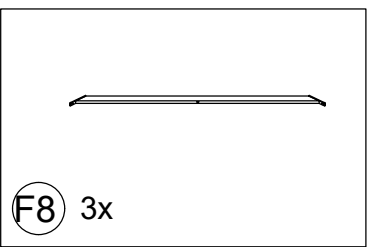
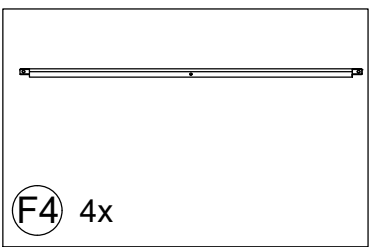
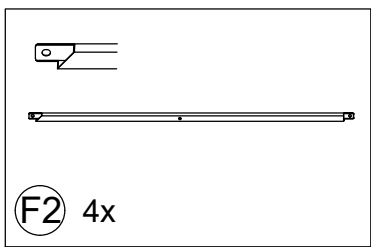
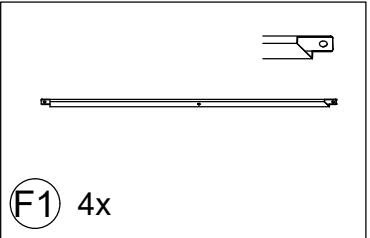
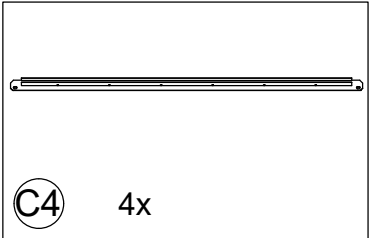
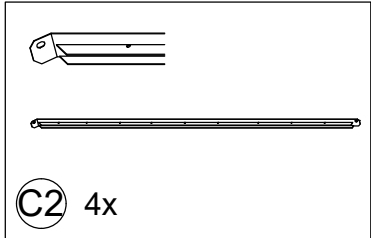
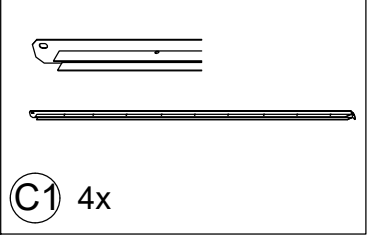
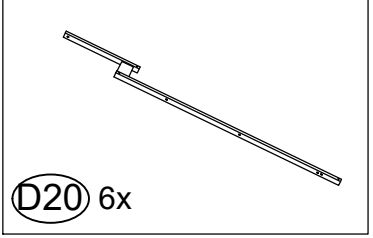
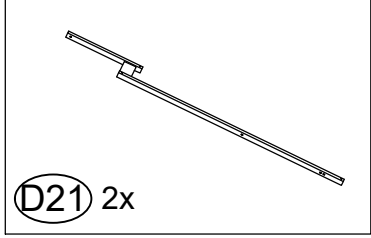
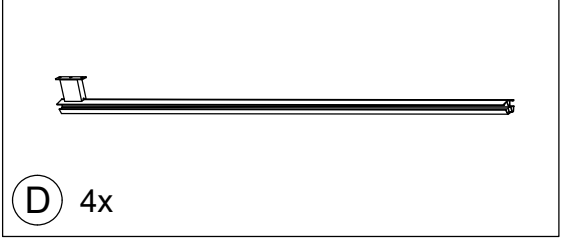
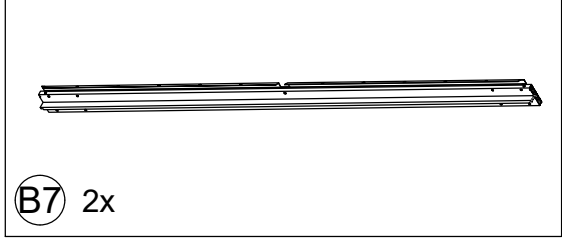
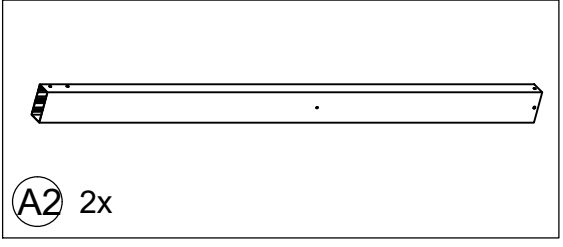
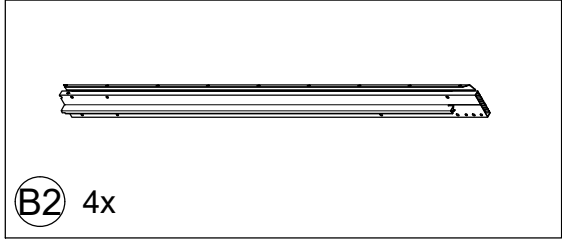
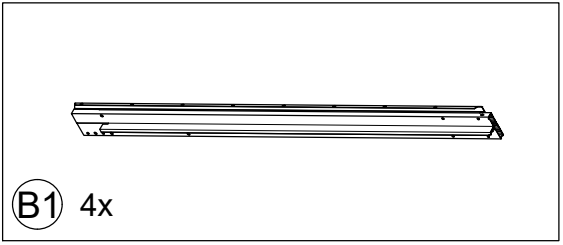
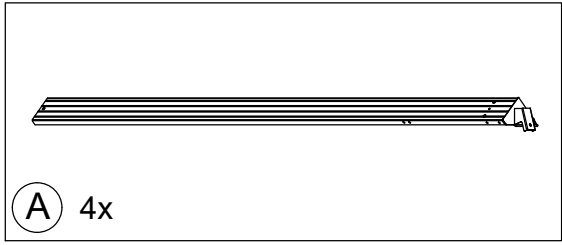
INSTRUCTION MANUAL

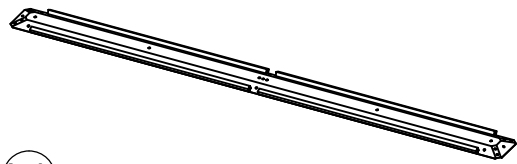
12FT x 20FT Gazebo

Series C47

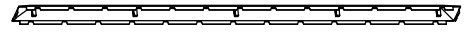
IF YOU PURCHASED THE GAZEBO ONLINE AND HAVE ANY
QUESTIONS OR CONCERNS
PLEASE CONTACT US WITH EMAIL OR TEXT

Hiwarrantyservice@outlook.com
+1 628 263 4608

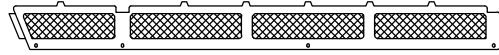




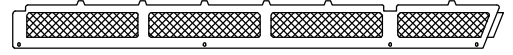
(L4) 1x



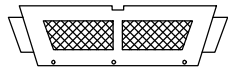
(M4) 1x



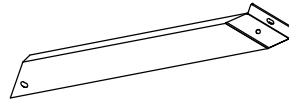
(V4a) 2X



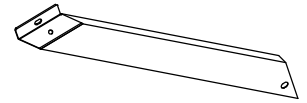
(V4b) 2x



(V1) 2x



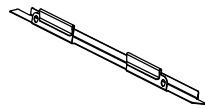
(H) 4x



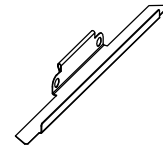
(H1) 4x



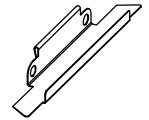
(E5) 4x



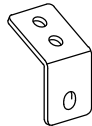
(Z) 64x



(Z1) 8x



(Z2) 8x



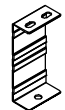
(Q1) 8x



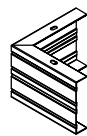
(N) 12x



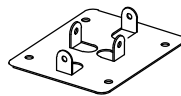
(N1) 10x



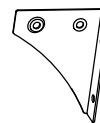
(K1) 6x



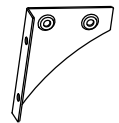
(K) 4x



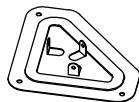
(J1) 2x



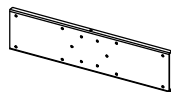
(W1) 2x



(W2) 2x



(J) 4x



(P) 6x



(V) 6x



(Y) 96x



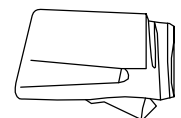
(U) 152x



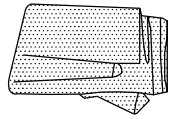
(Q3) 8x



(Q4) 8x



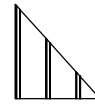
(T) 4x + 2x



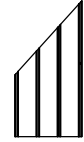
T1 4x + 2x



X1 4x



X2 4x



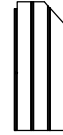
X3 4x



X4 4x



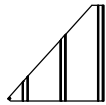
X5 4x



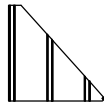
X6 4x



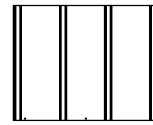
X7 4x



S1 4x



S2 4x



S3 8x



X8 4x



M6x15

1 245x



M6x23

2 84x



M6x25

3 16x



ST 4.8x12

4 8x



5 3x



M6x45

7 12x



8 16x

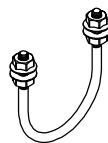


M6x10

9 12x



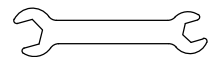
10 20x



11 1x



12 2x 4mm



14 1x



M5x15

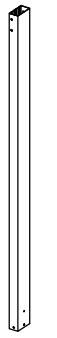
15 32x

<1>

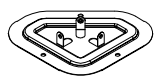
A 4x



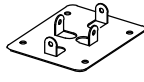
A2 2x



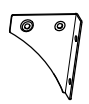
J 4x



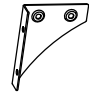
J1 2x



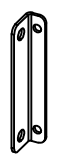
W1 2x



W2 2x



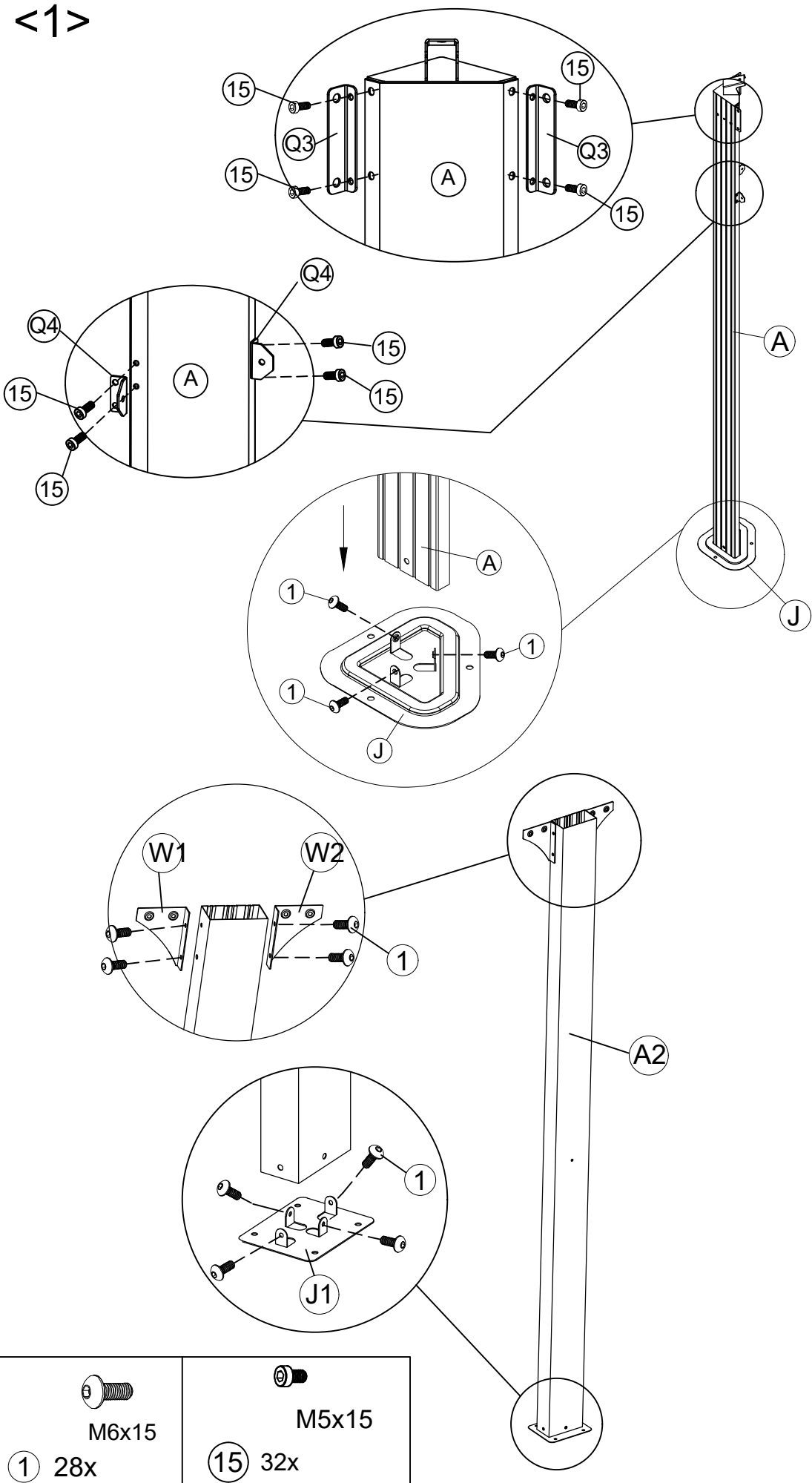
Q3 8x



Q4 8x

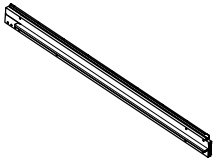


5

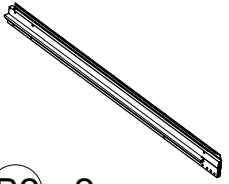


① 28x	⑮ 32x

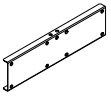
<2>



(B1) 2x



(B2) 2x

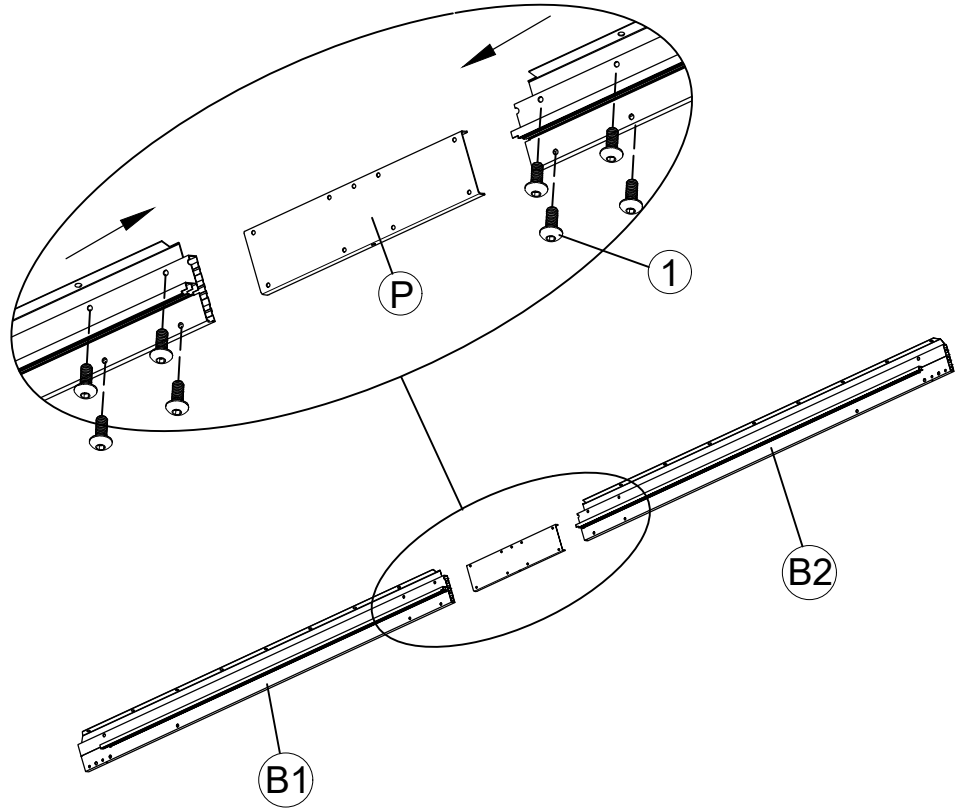


(P) 2x



M6x15

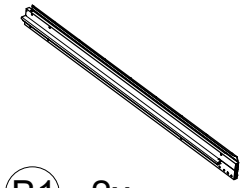
(1) 16x



<3>



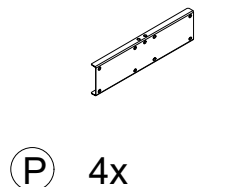
B1 2x



B1 2x



B7 2x

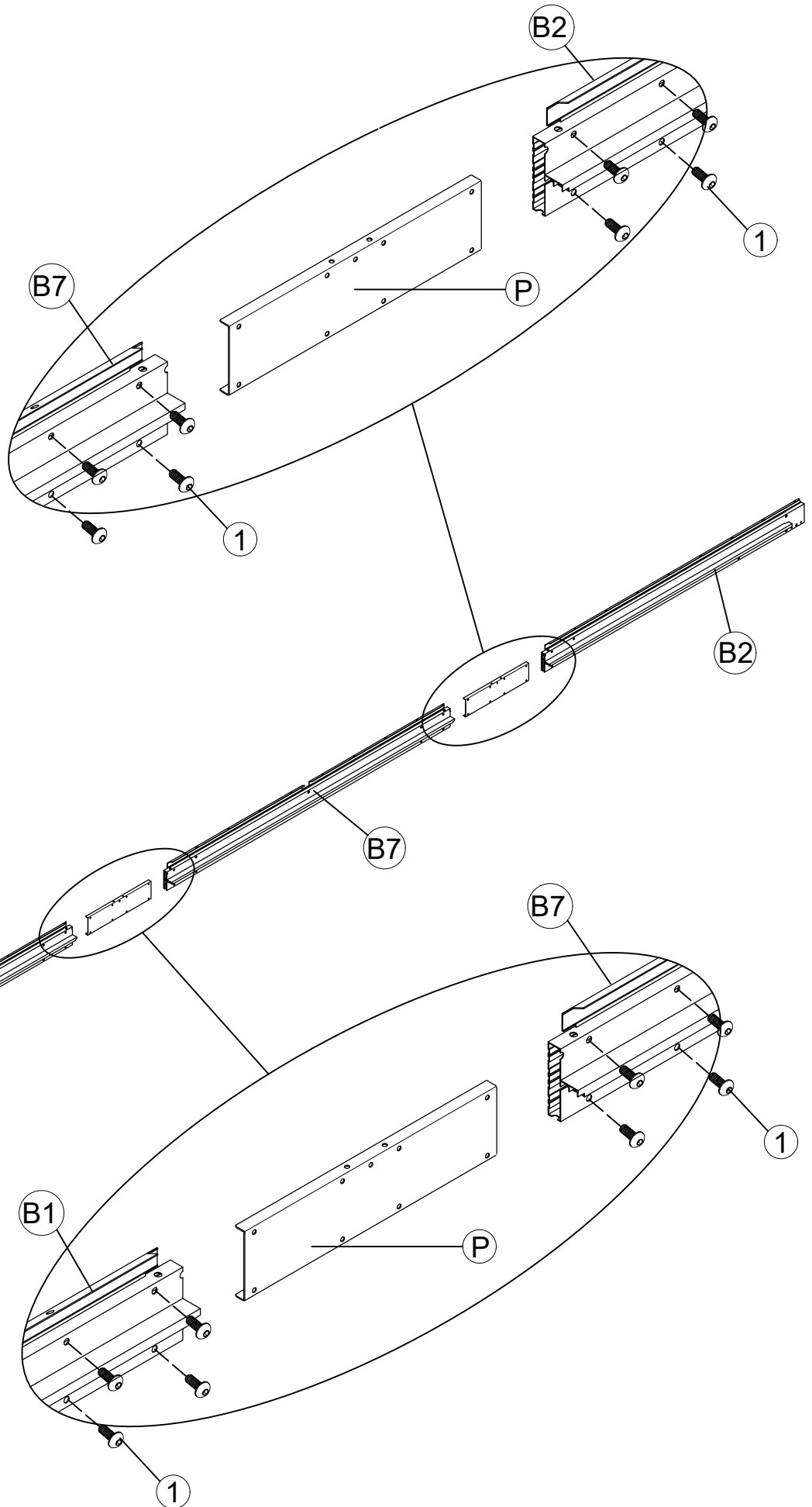


P 4x



M6x15

1 32x



<4>

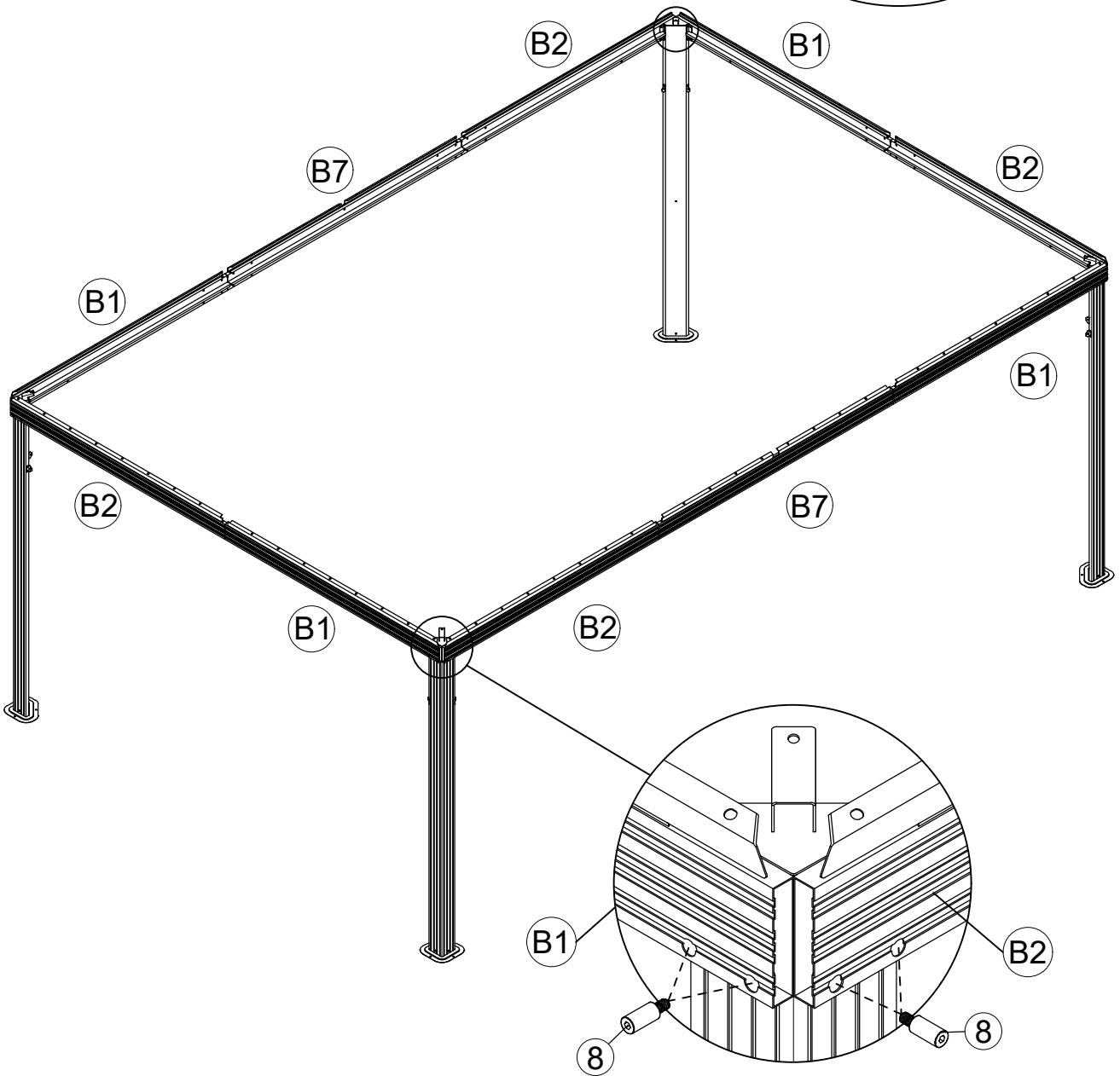
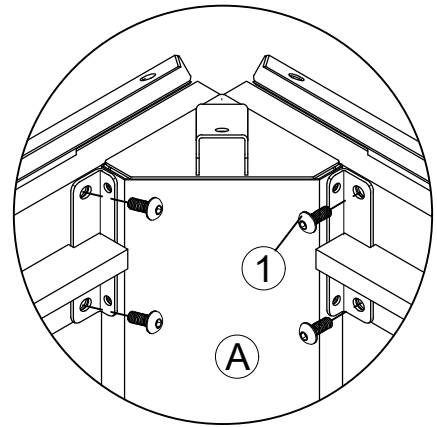


8 16x

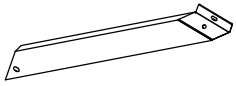


M6x15

1 16x

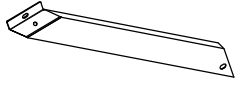


8



<5>

(H) 4x

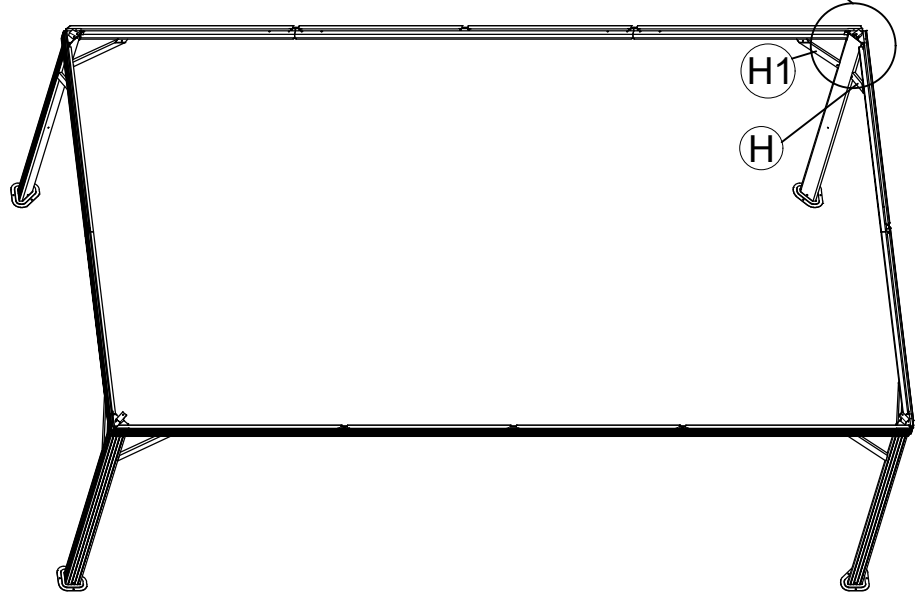
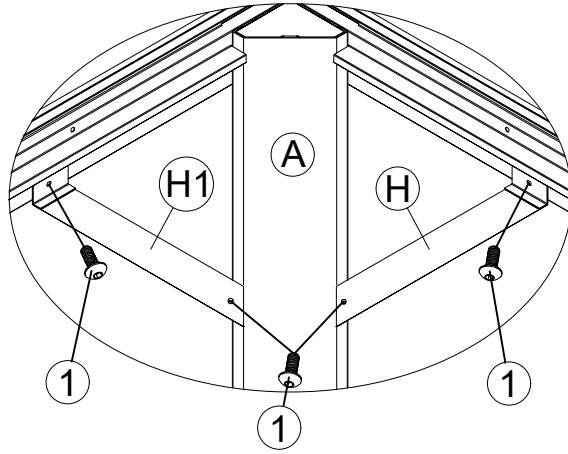


(H1) 4x

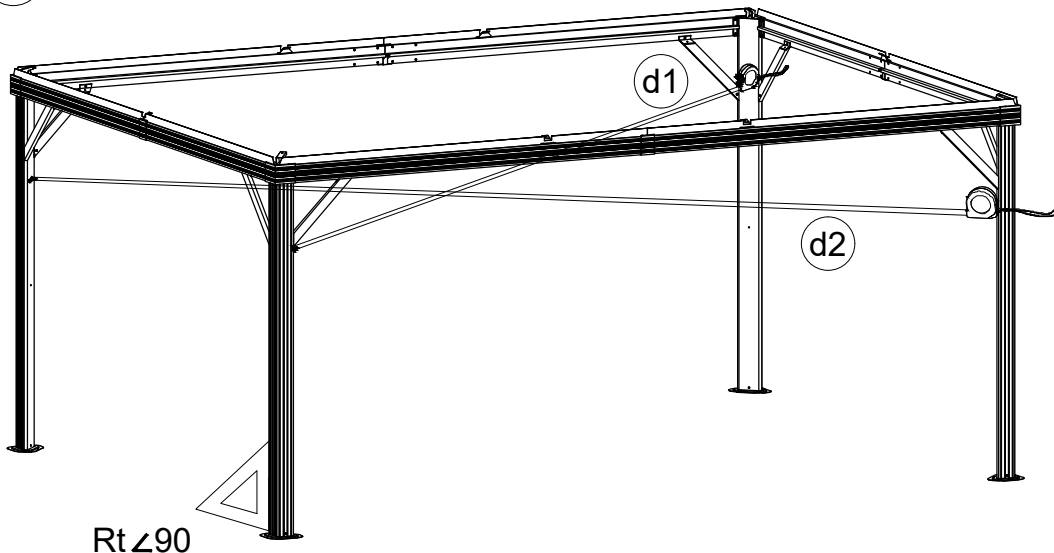


M6x15

(1) 16x



(i) $d1=d2$

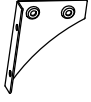


Tips: Please measure to make sure the length of d1 is equal to d2 before moving to next step to ensure a square frame and best results. Keep the beam at right angles to the post, the post at right angles to the ground, and keep the beam horizontal.

<6>



W1 2x



W2 2x

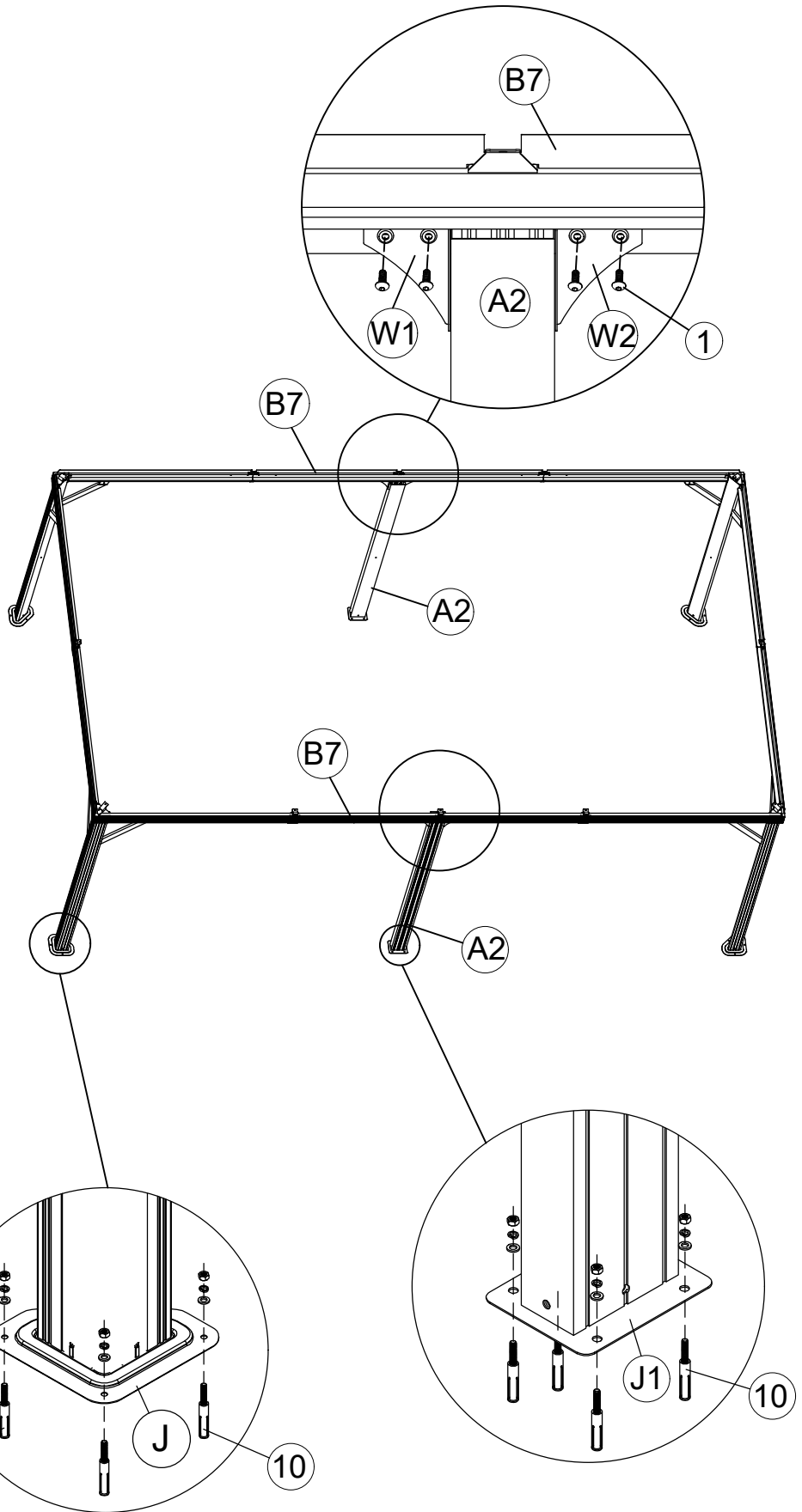


M6x15

1 8x

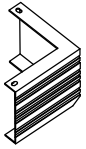


10 20x

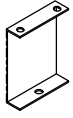


10

<7>



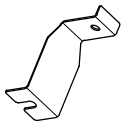
(K) 4x



(K1) 6x



(U) 152x



(V) 6x



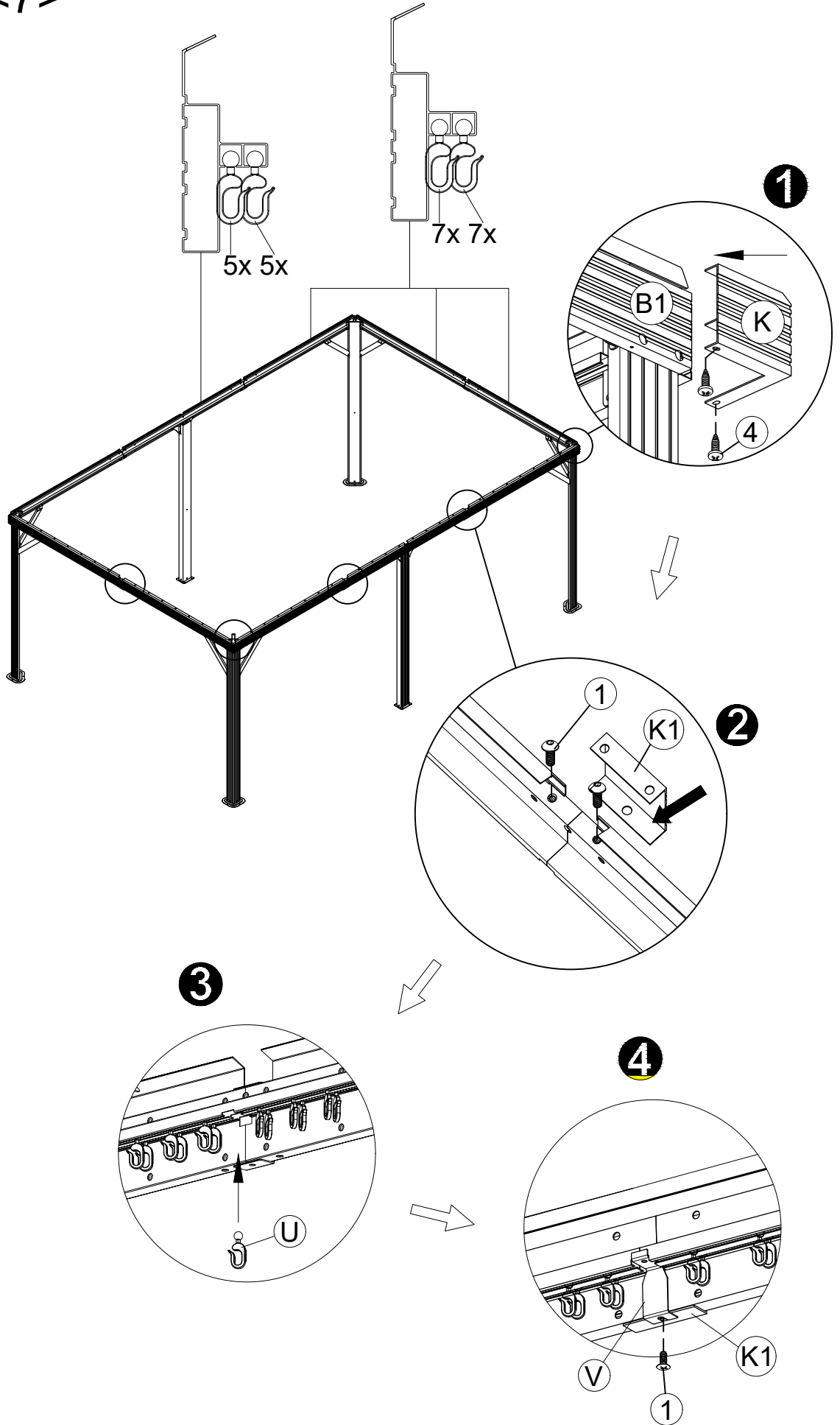
M6x15

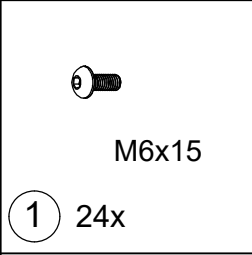
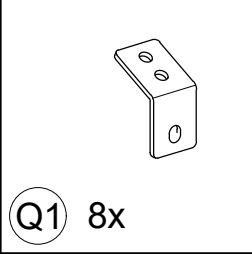
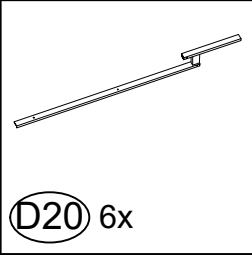
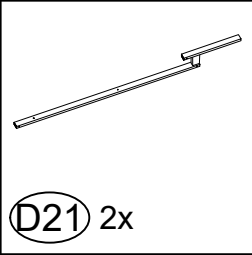
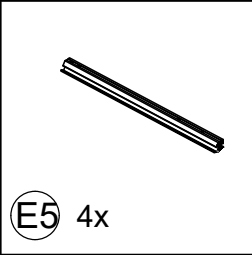
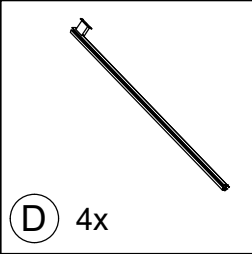
(1) 18x



ST4.8x12

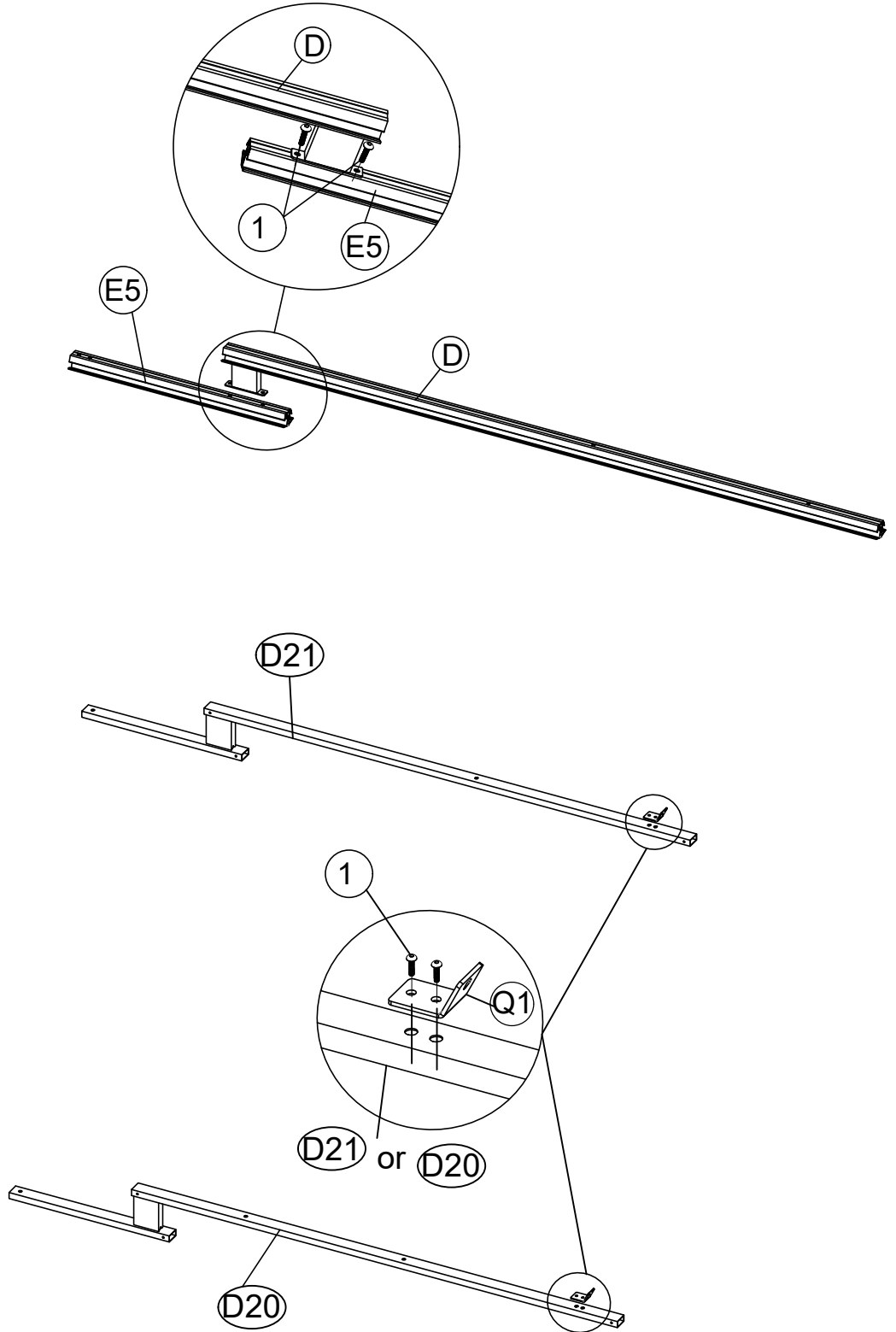
(4) 8x





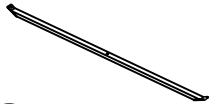
12

<8>

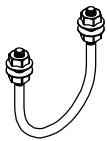




L4 1x



F8 3x



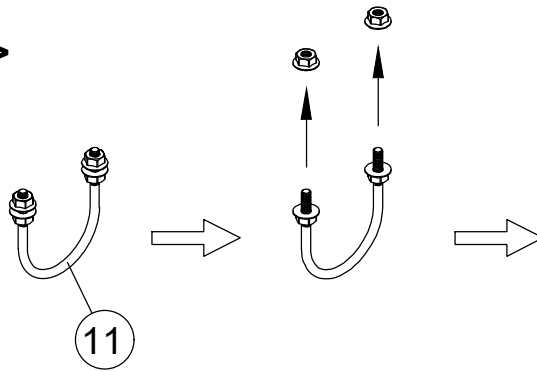
11 1x



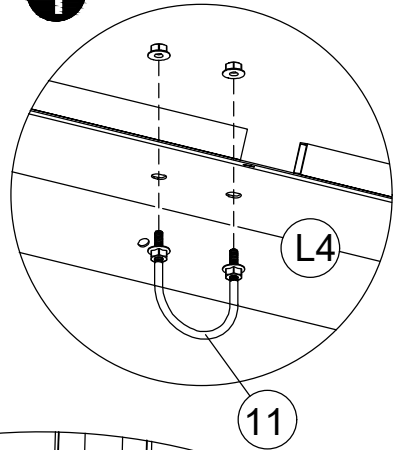
M6x15

1 18x

<9>

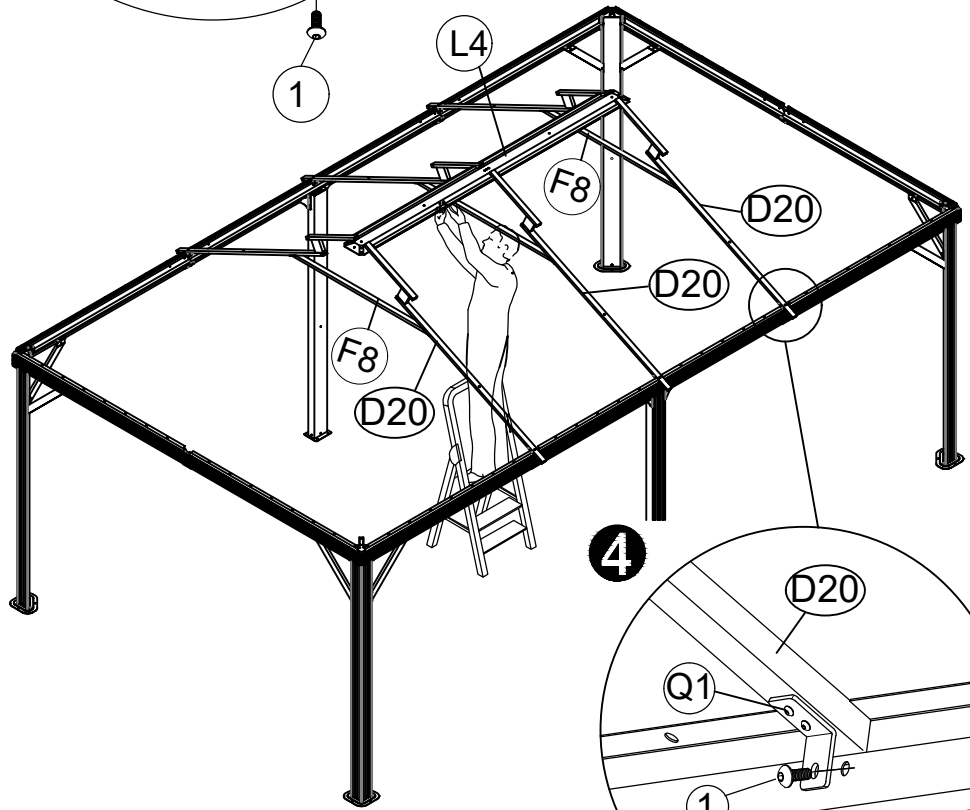
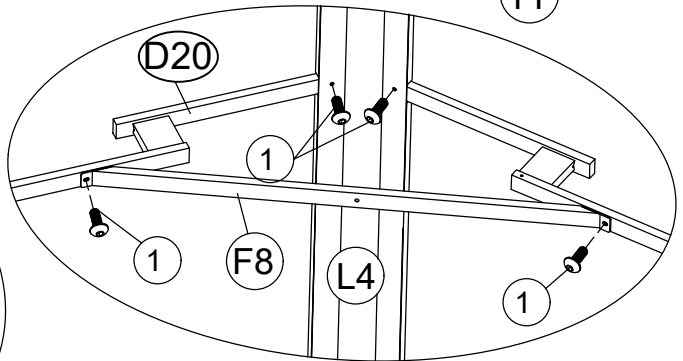
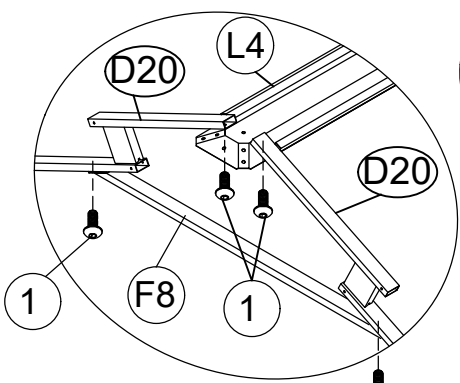


1

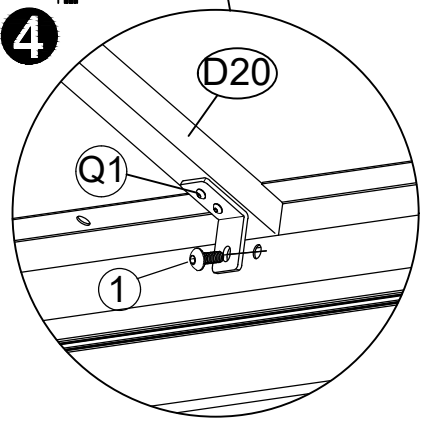


3

2



4



Note:

1. Let one person stand on the ladder to lift "L4" and hold and let others fasten the screws connecting both ends of "D20".
2. Please do not let go of holding "L4" until all the "D20" screws are installed.



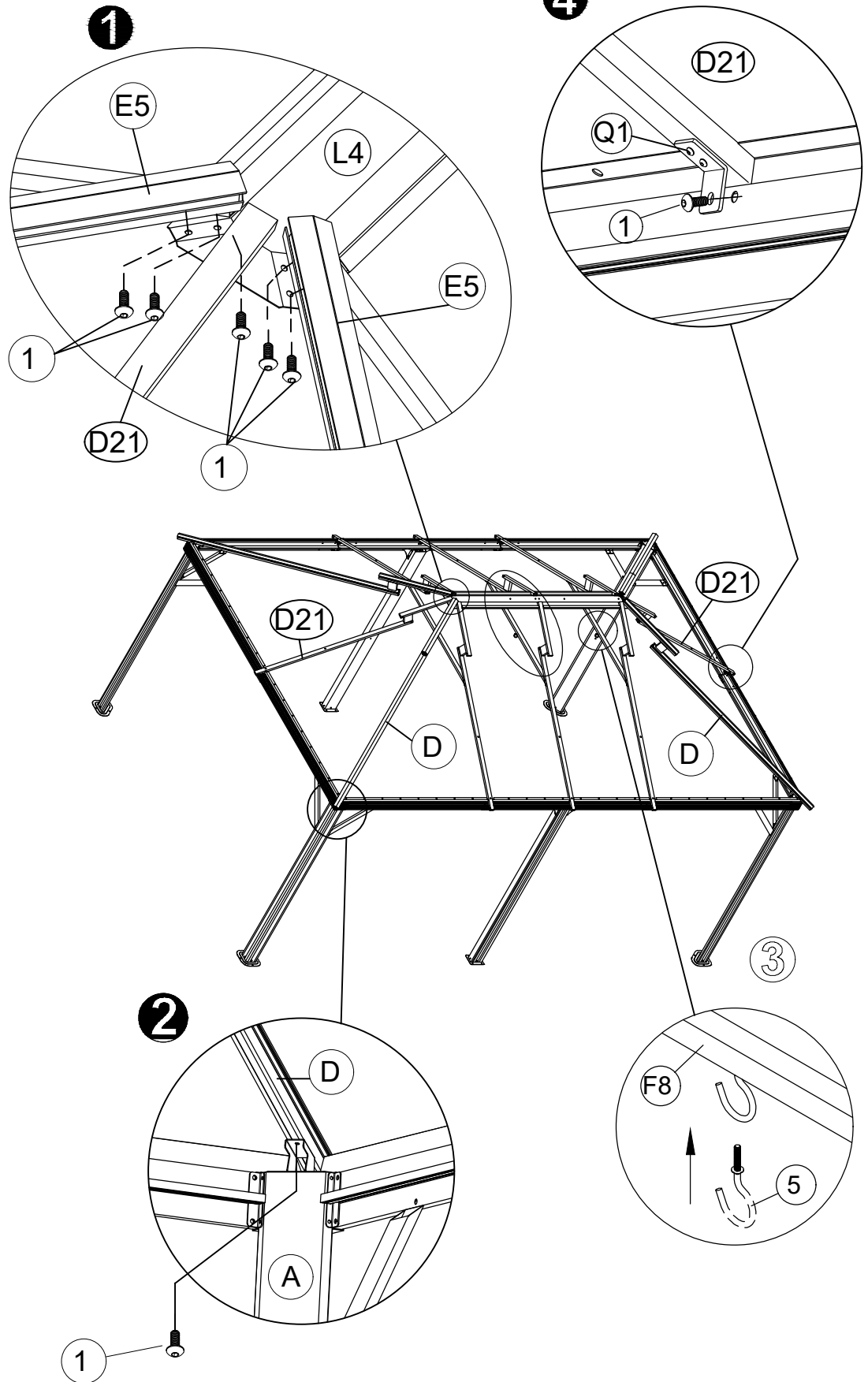
5 3x



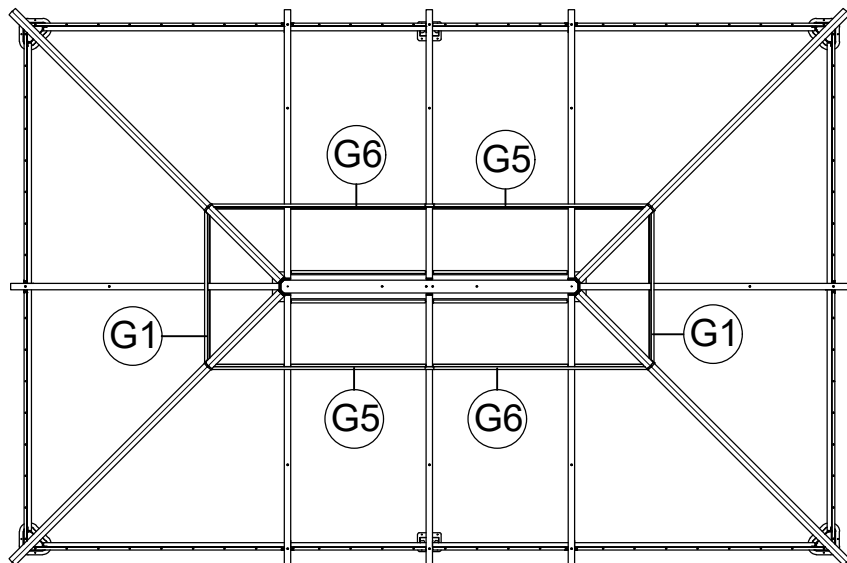
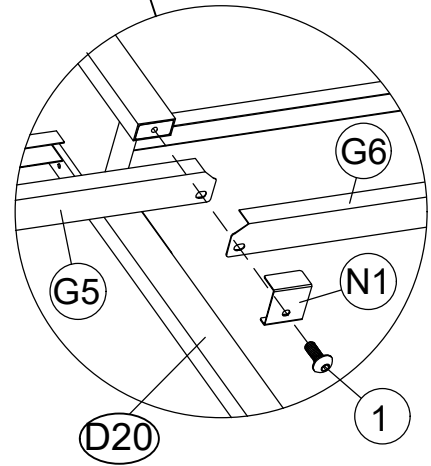
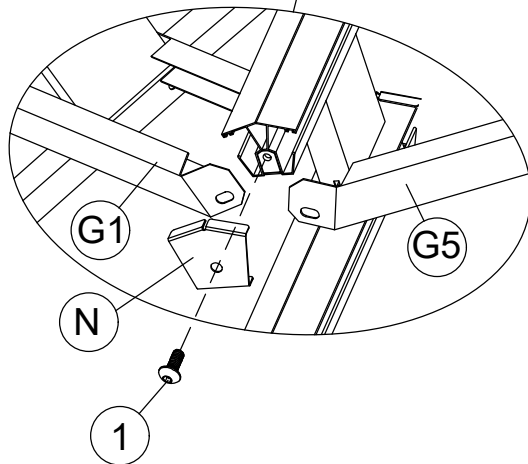
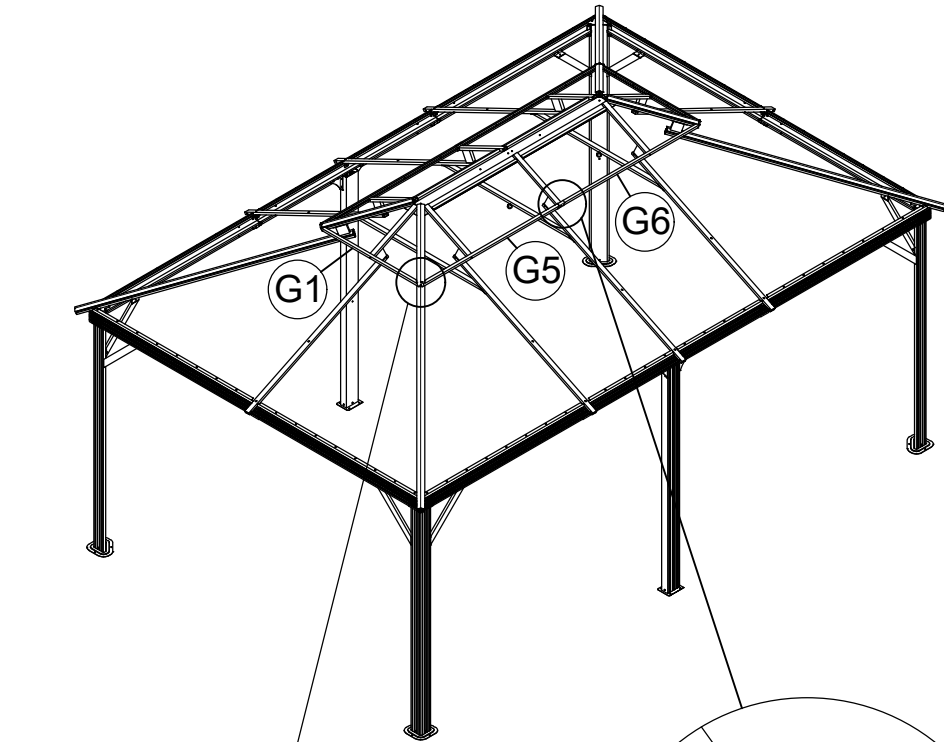
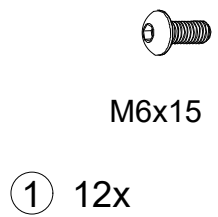
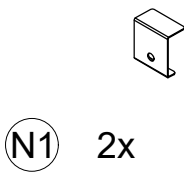
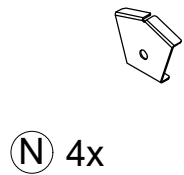
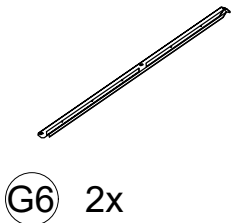
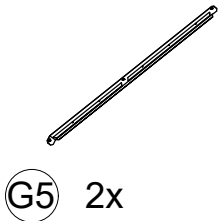
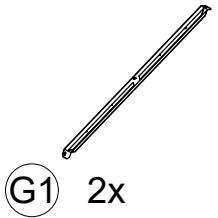
M6x15

1 16x

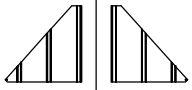
<10>



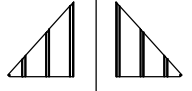
<11>



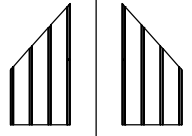
<12>



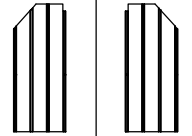
S1 2x S2 2x



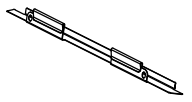
X1 2x X2 2x



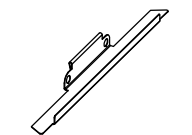
X3 2x X4 2x



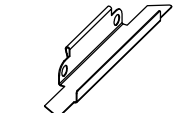
X5 2x X6 2x



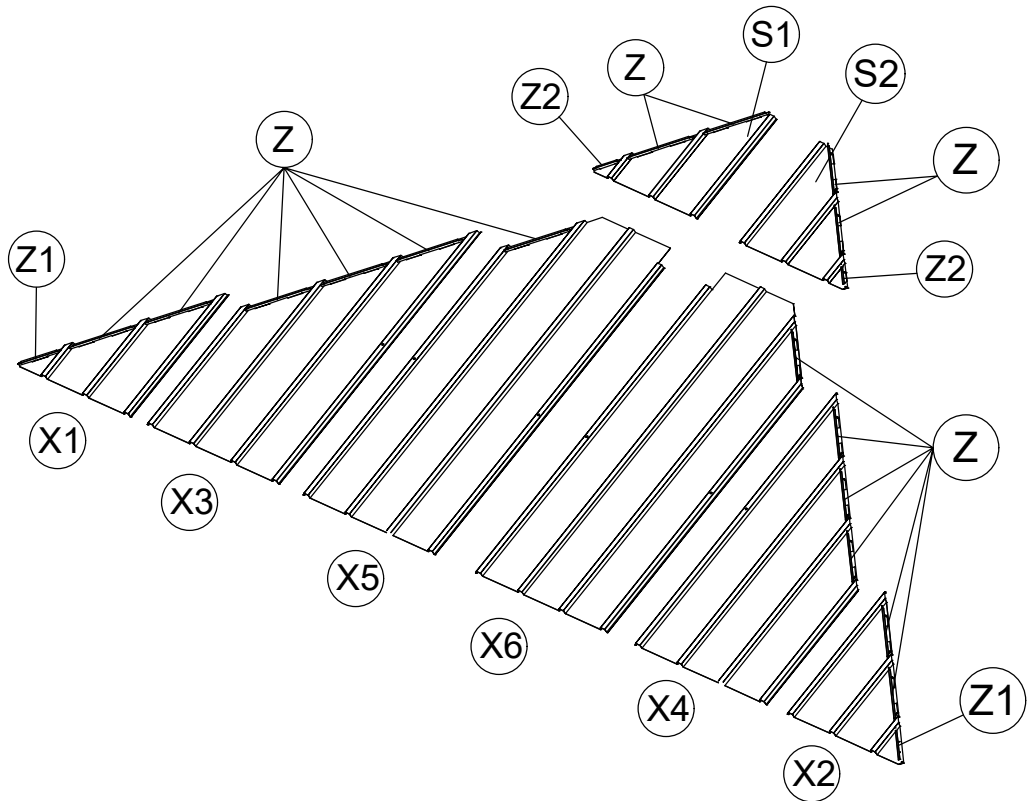
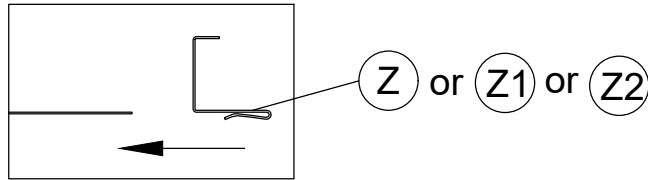
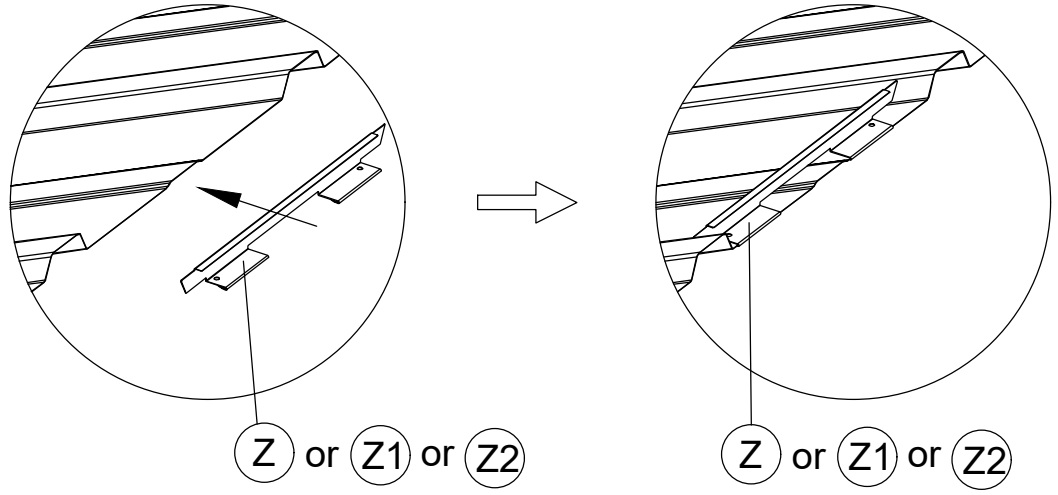
Z 32x



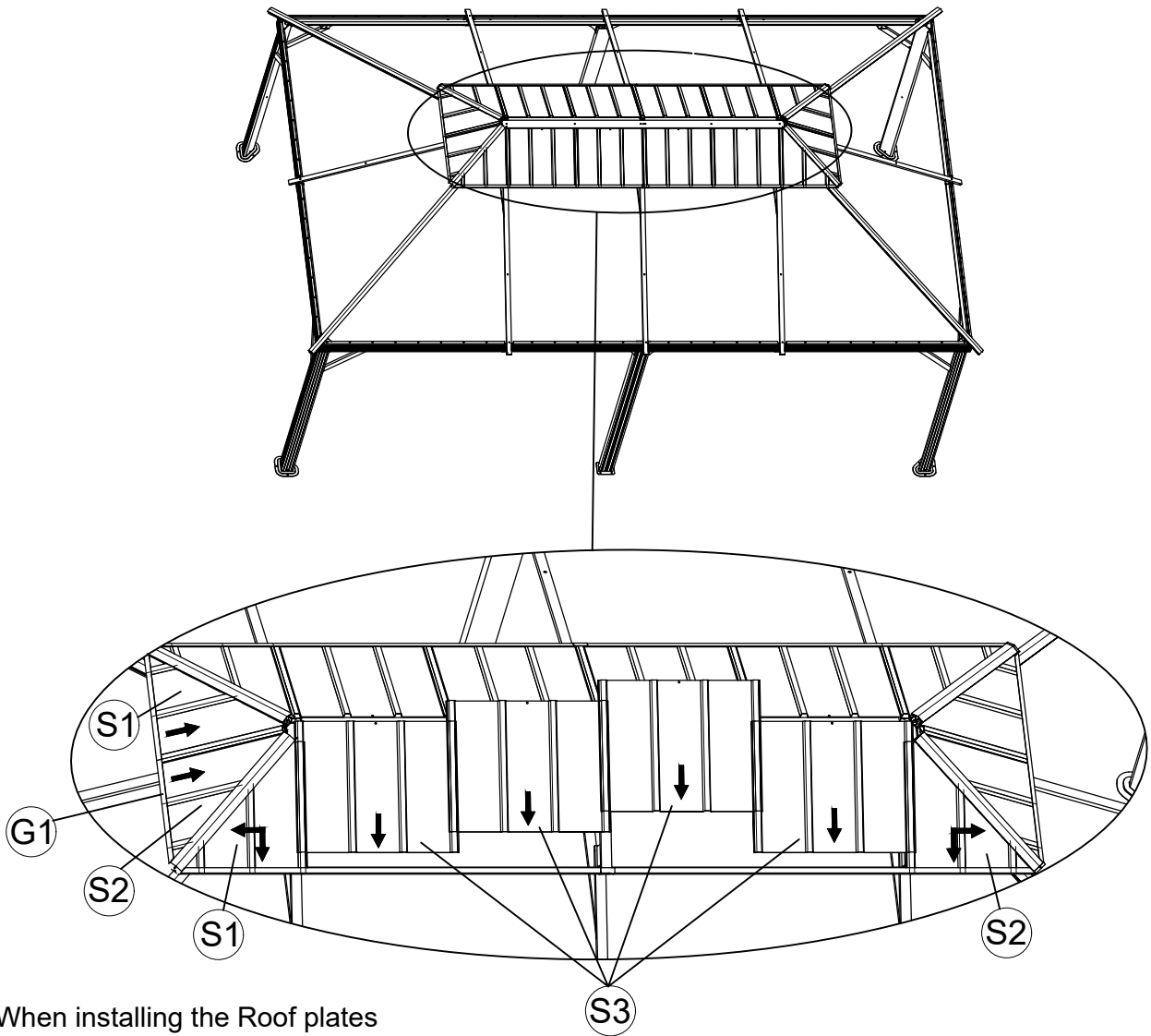
Z1 4x



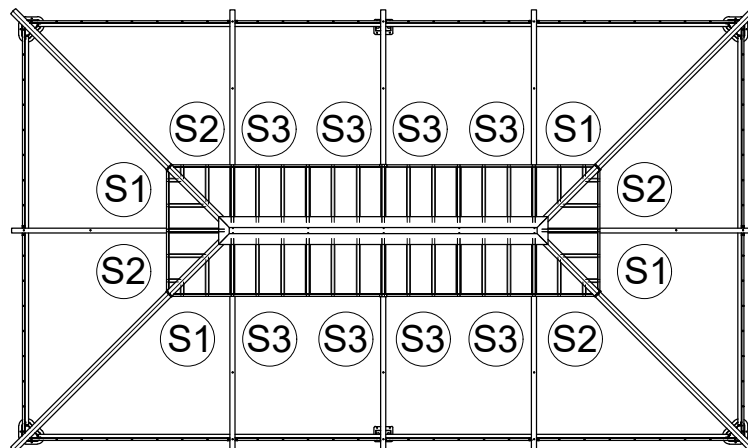
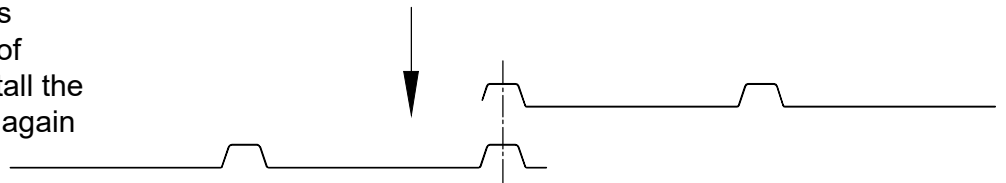
Z2 4x



<14>



When installing the Roof plates (S1 S2) onto short side, pls detach the right end of Roof Rib(G1) first. And then install the right end of Roof Rib (G1) again after (S1 S2) is installed.



<15>

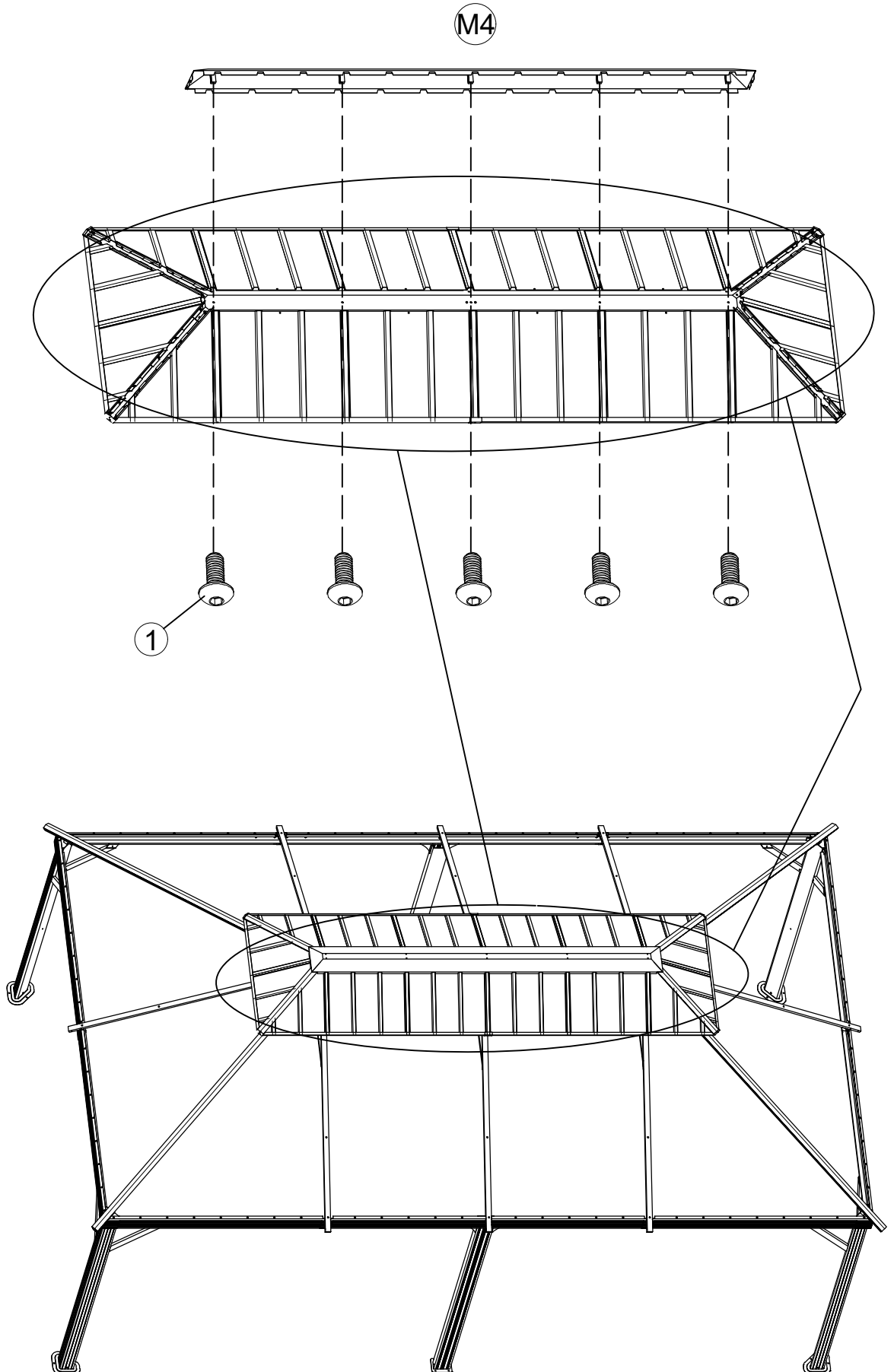


M4 1x



M6x15

① 5x



<16>

F1 4x

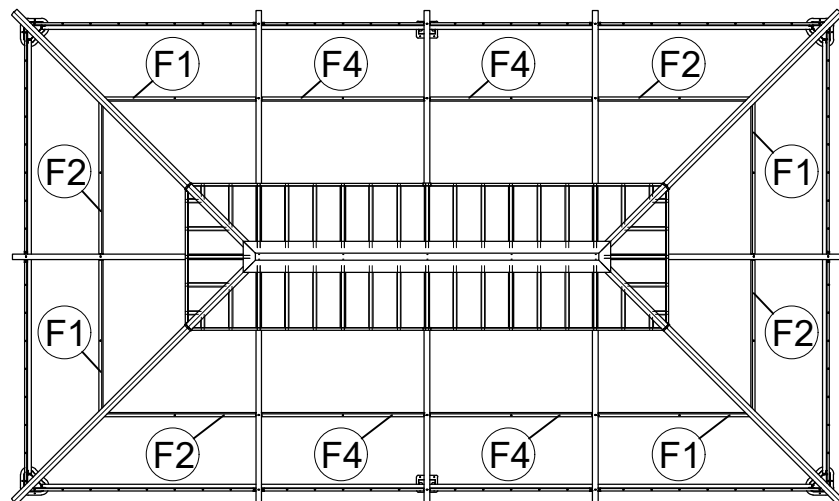
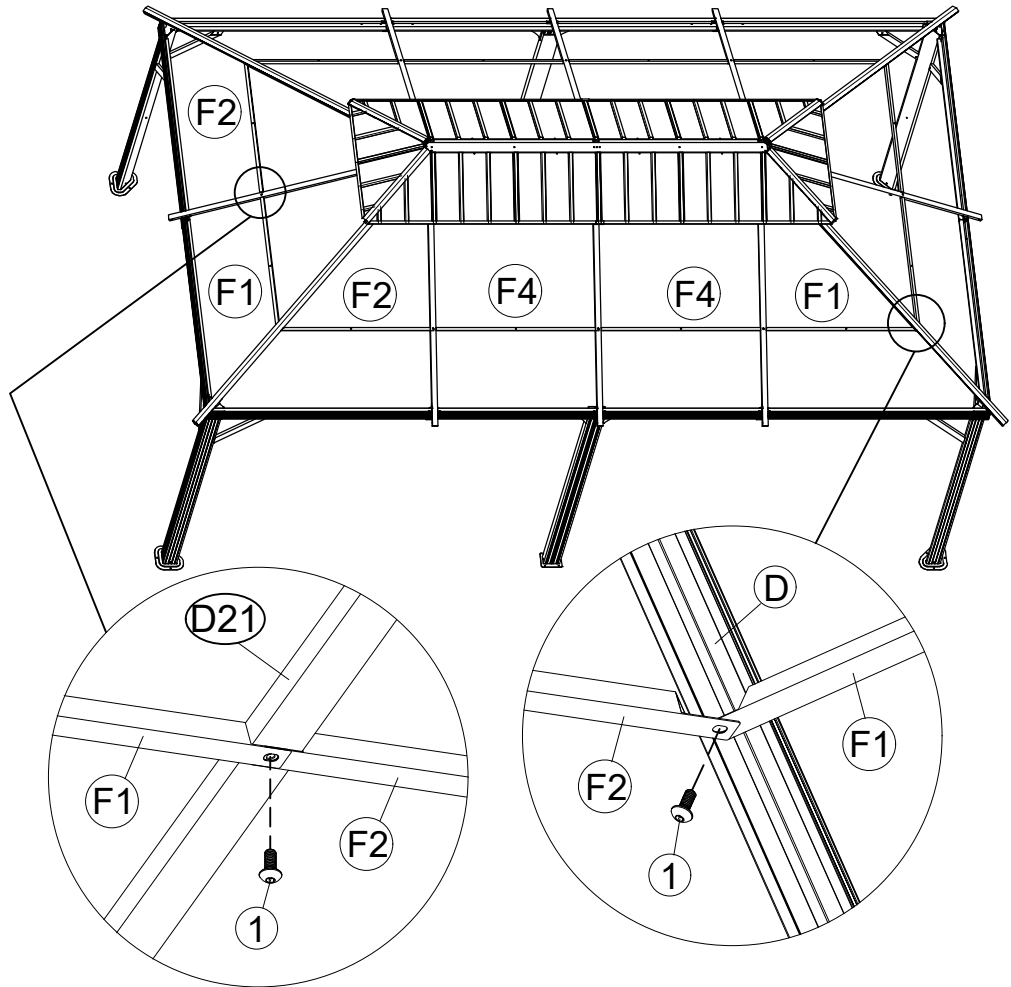
F2 4x

F4 4x

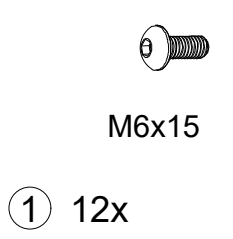
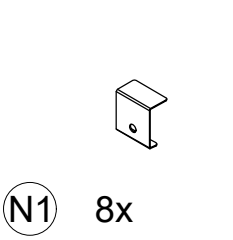
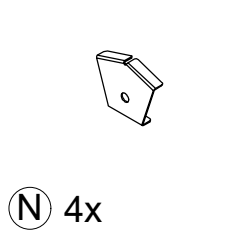
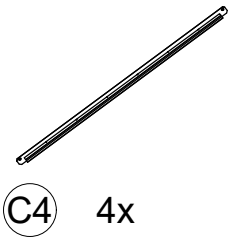
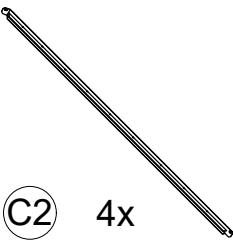
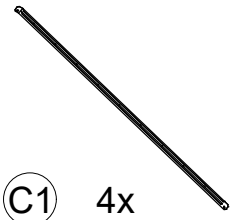


M6x15

1 12x

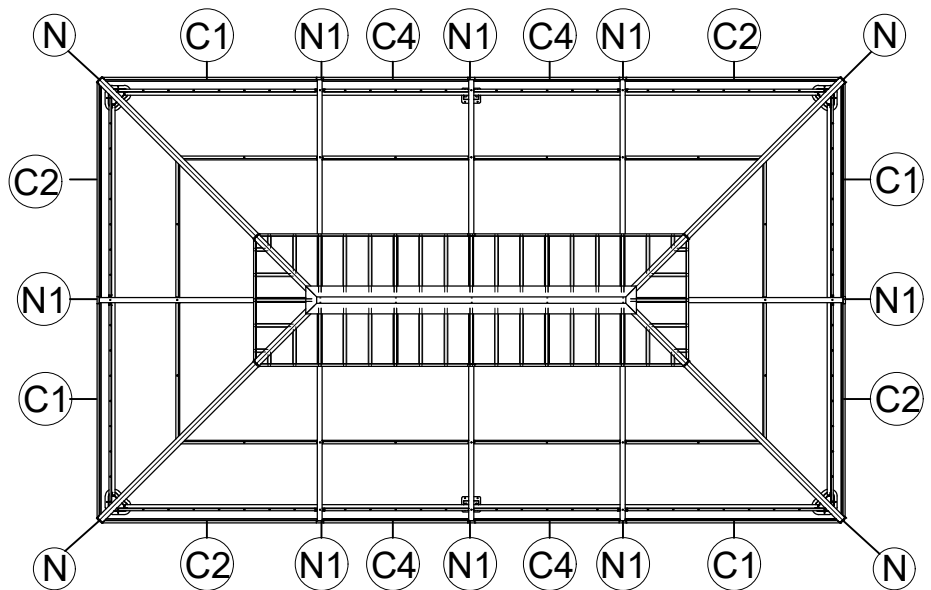
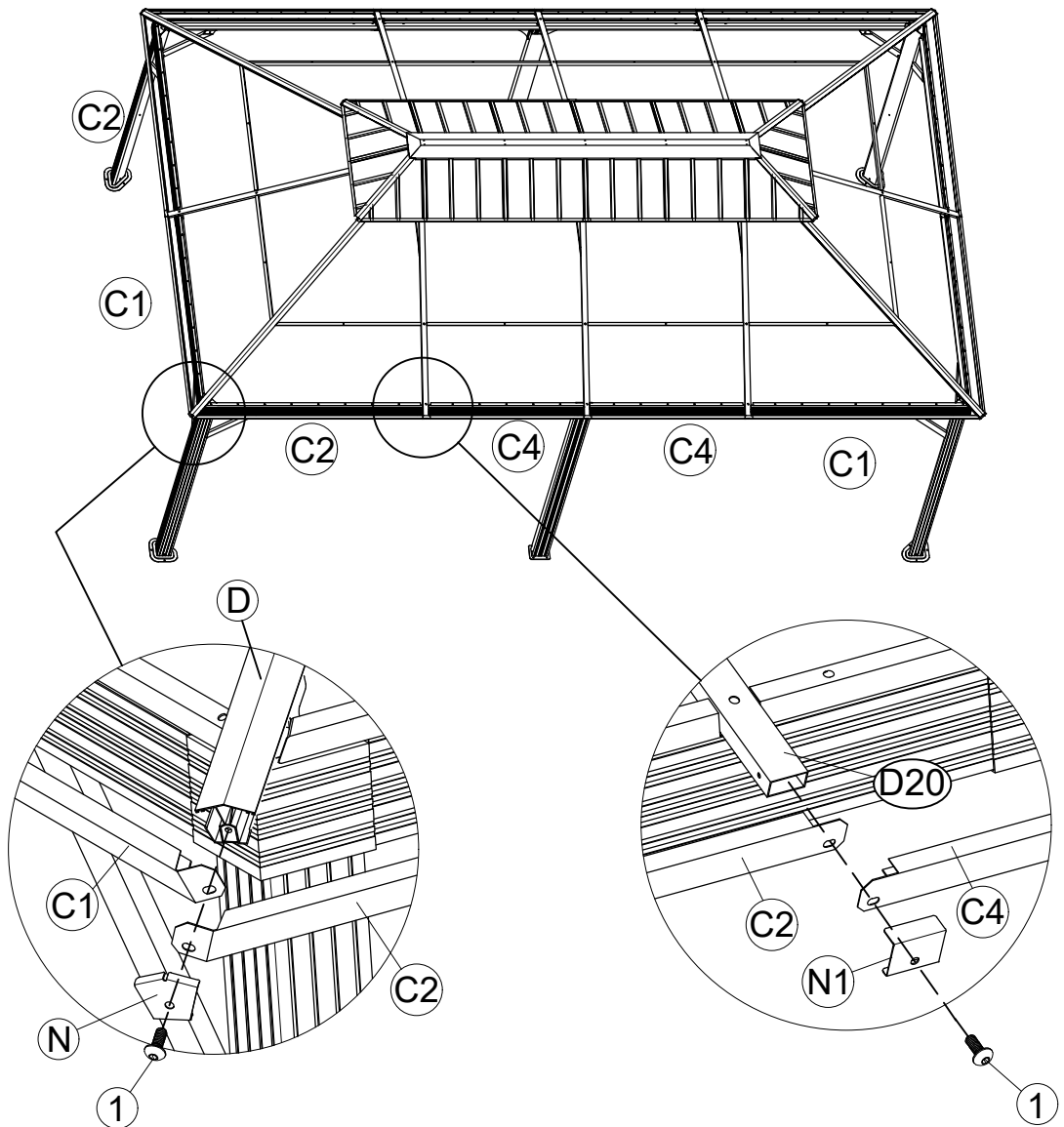


<17>

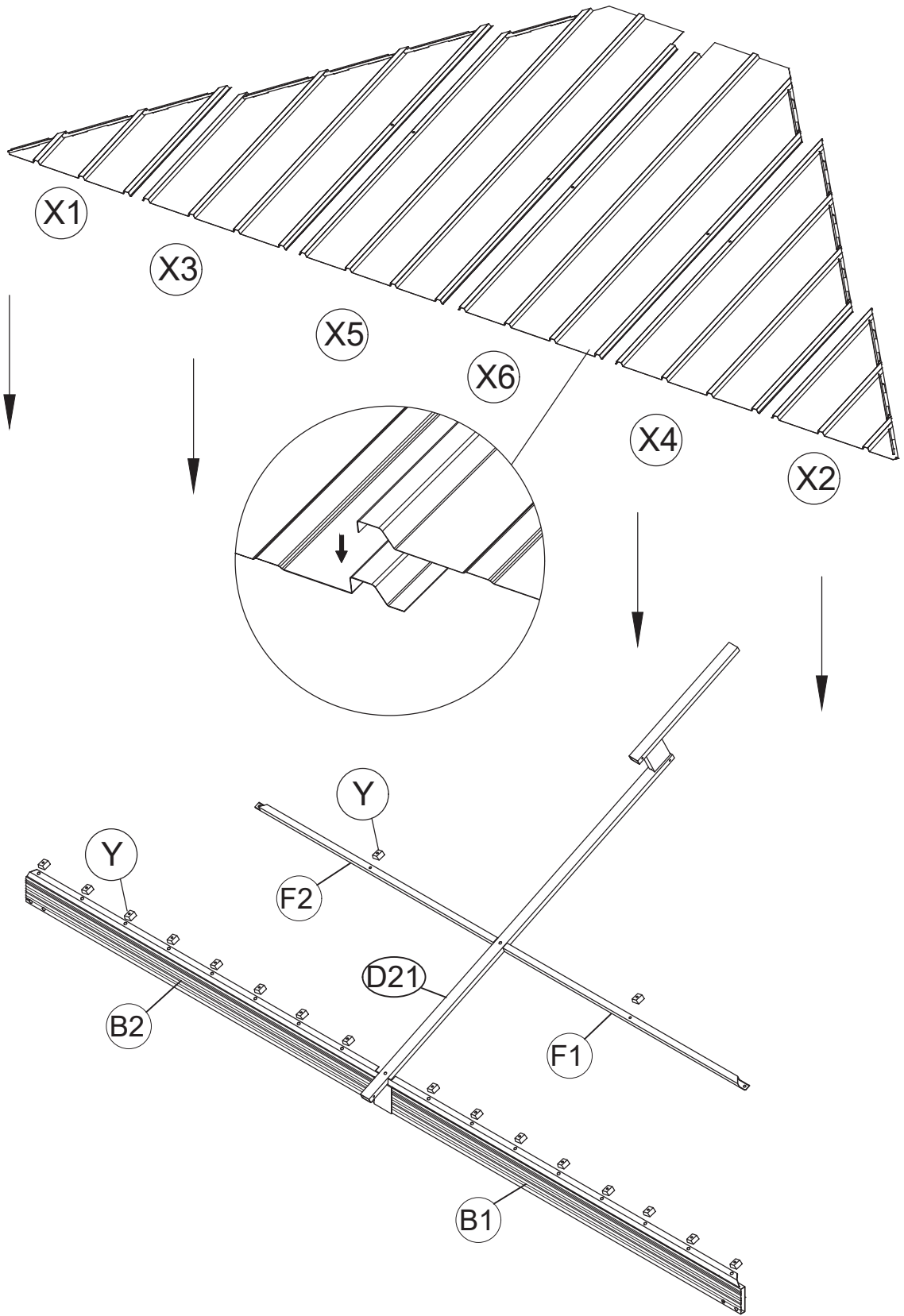


M6x15

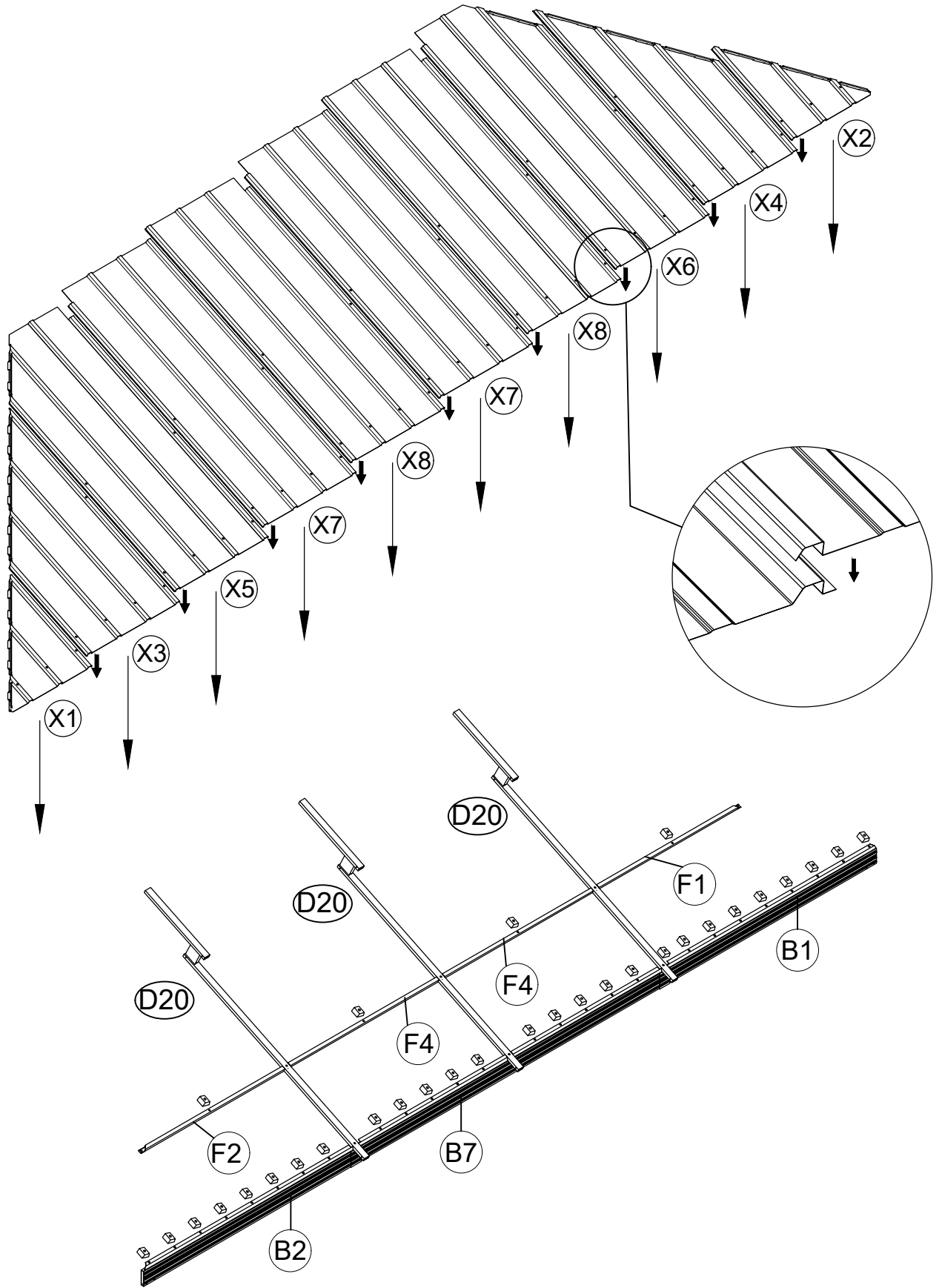
21



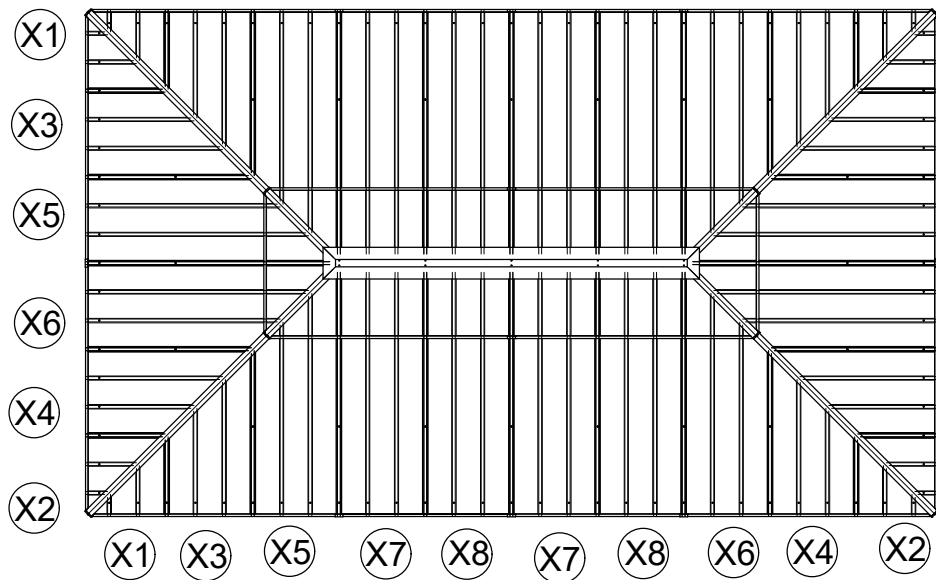
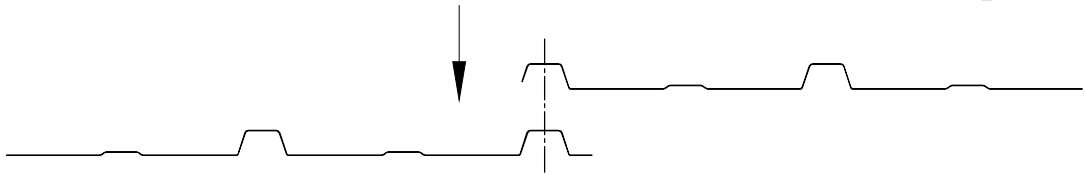
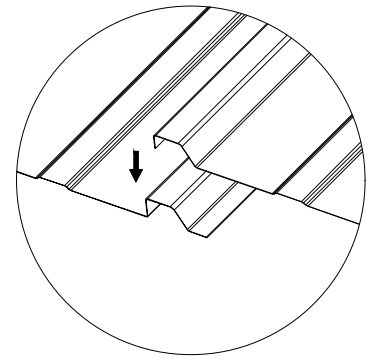
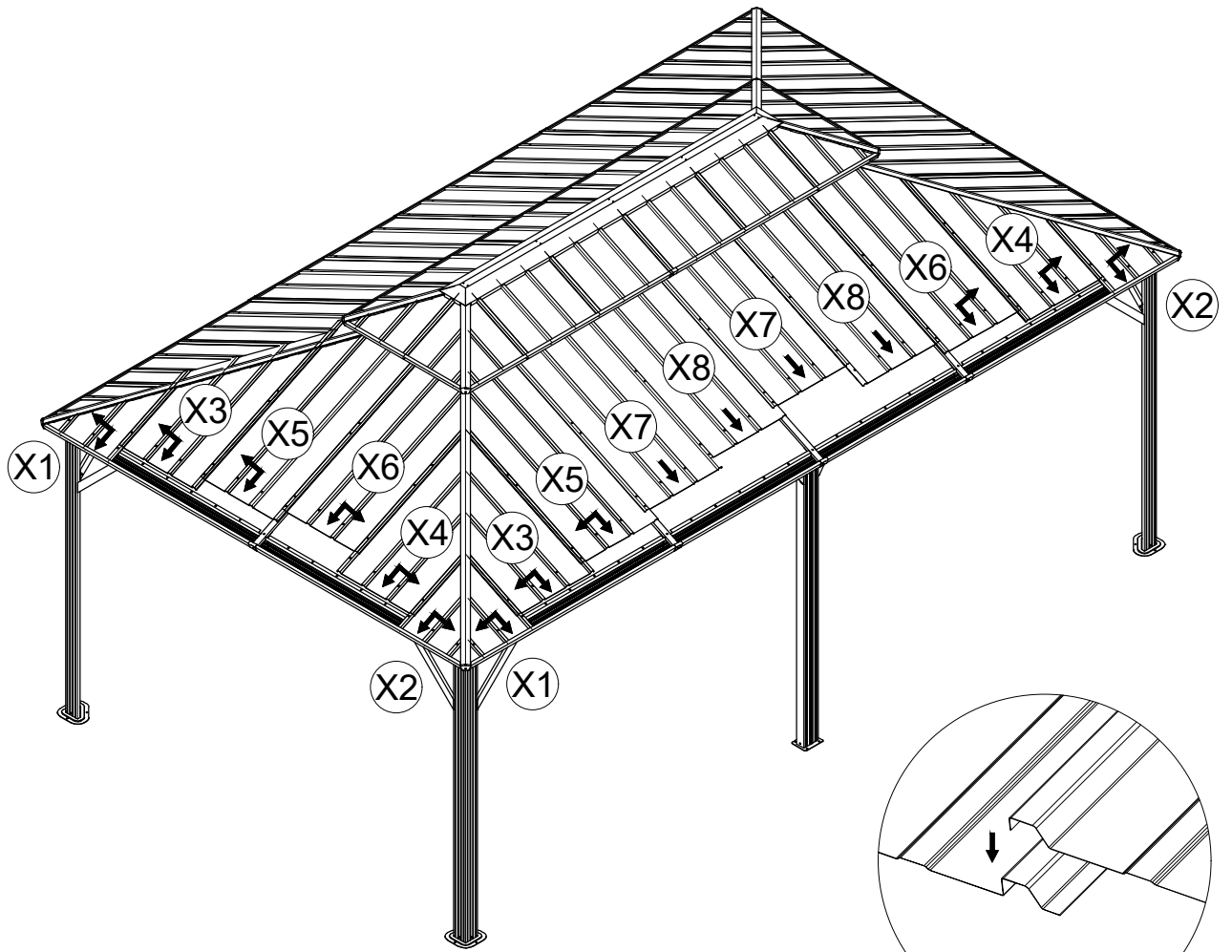
<18>



<19>



<20>





<21>

Y 96x

M6x25

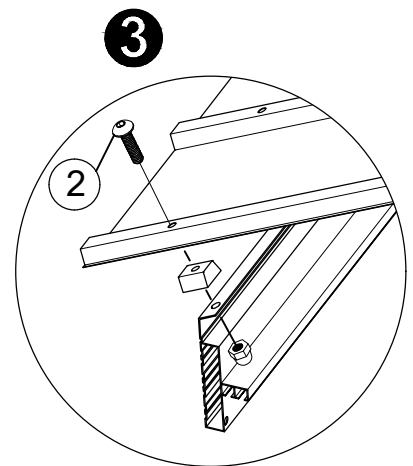
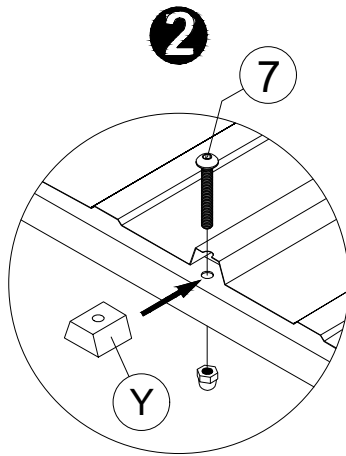
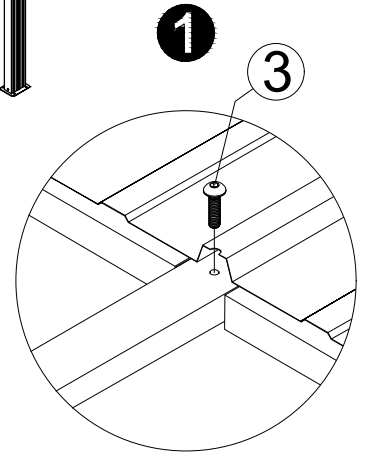
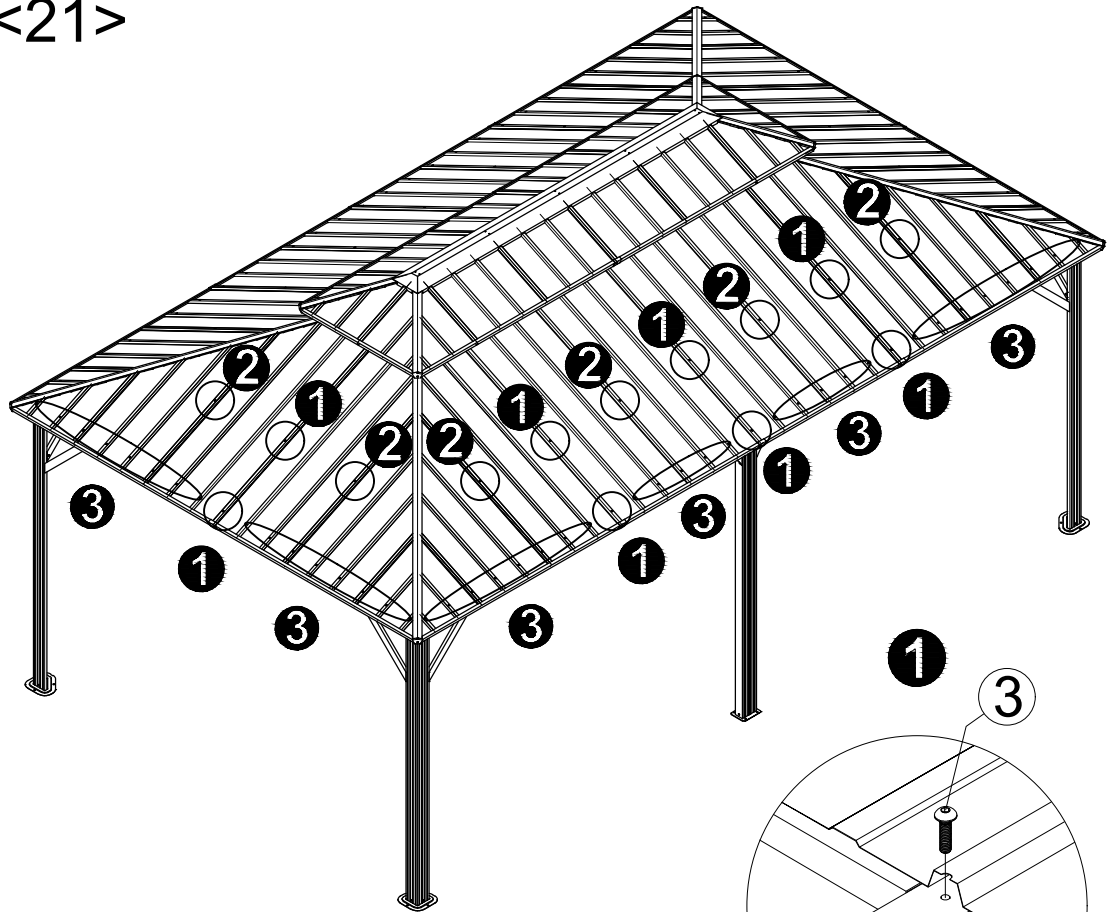
3 16x

M6x23

2 84x

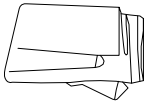
M6x45

7 12x

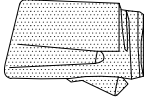


Note: When installing the roof top plates, if the roof plates are slightly uneven, pls press the screws from the top of the plates until the bottom screw thread is exposed by 3 to 4mm, and then screw on the nut.

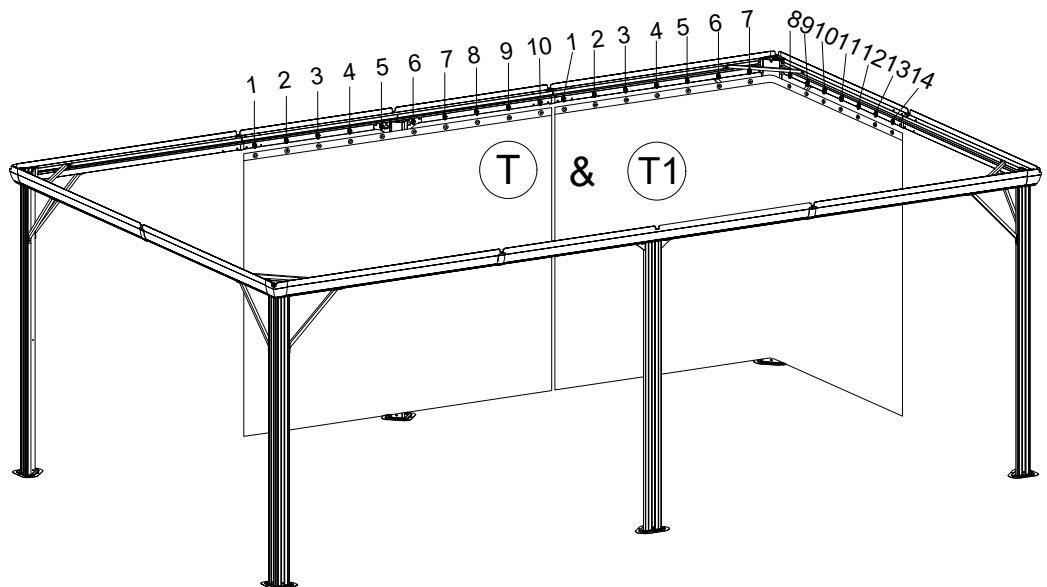
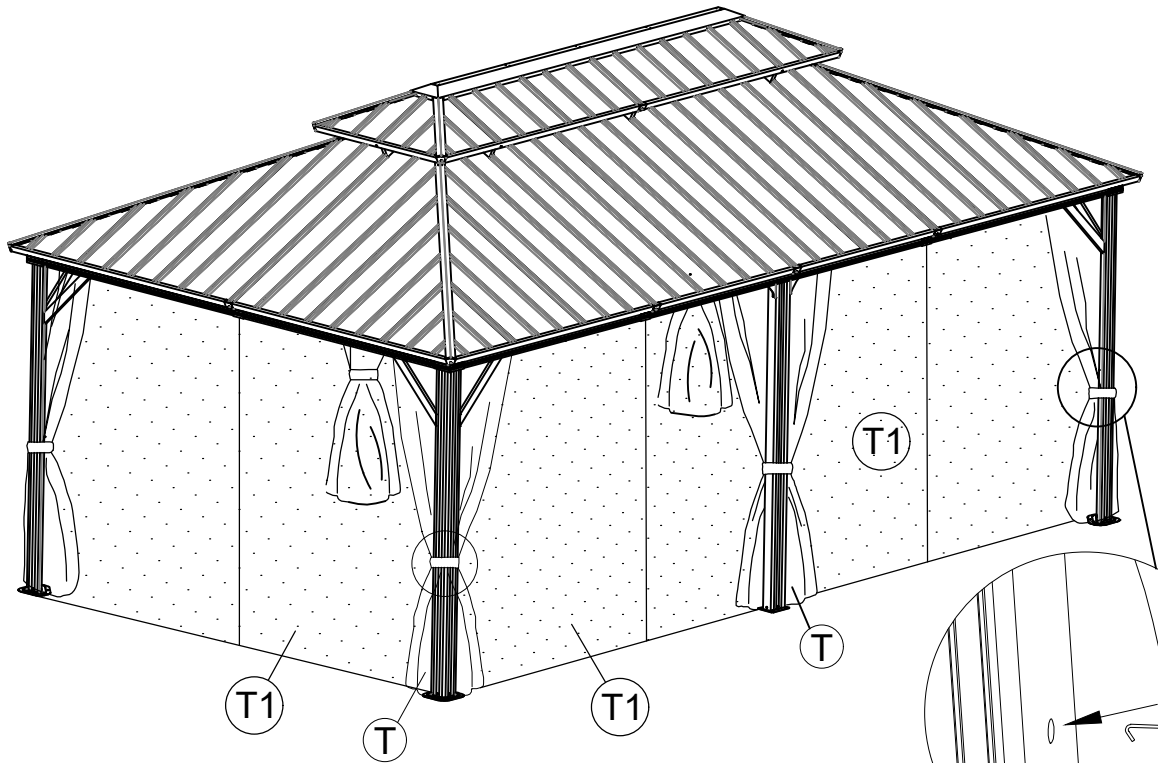
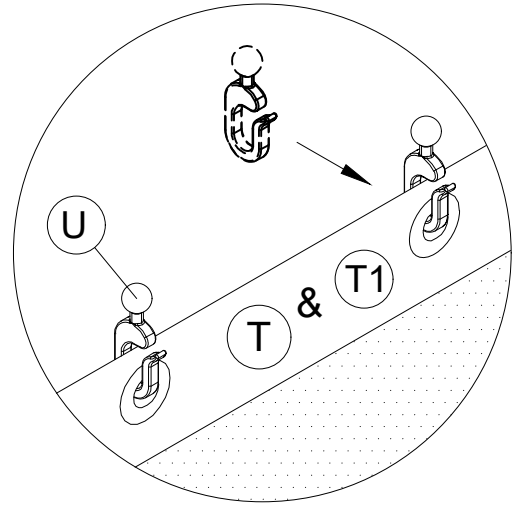
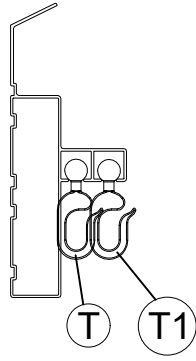
<23>



T 4x+2x



T1 4x+2x



Carton-1/6		Carton-3/6		Carton-4/6	
Part	Qty	Part	Qty	Part	Qty
A	4	F4	4	Y	96
A2	2	F8	3	U	152
		V1	2	T	4+2
		V4a	2	T1	4+2
		V4b	2	Q3	8
Carton-2/6		J	4	Q4	8
Part	Qty			1.2.3.4.5.7.8.9. 10.11.12.14.15	1
D	4				
D21	2	Carton-4/6			
D20	6	Part	Qty		
E5	4	L4	1	Carton-5/6	
Z	64	M4	1	Part	Qty
Z1	8	B7	2	X5	4
Z2	8	C1	4	X6	4
P	6	C2	4	X7	4
		G5	2	X8	4
		G6	2		
Carton-3/6		H	4		
Part	Qty	H1	4	Carton-6/6	
B1	4	Q1	8	Part	Qty
B2	4	N	12	X1	4
G1	2	N1	10	X2	4
C4	4	K1	6	X3	4
I1	2	K	4	X4	4
I5	2	J1	2	S1	4
I6	2	W1	2	S2	4
F1	4	W2	2	S3	8
F2	4	V	6		