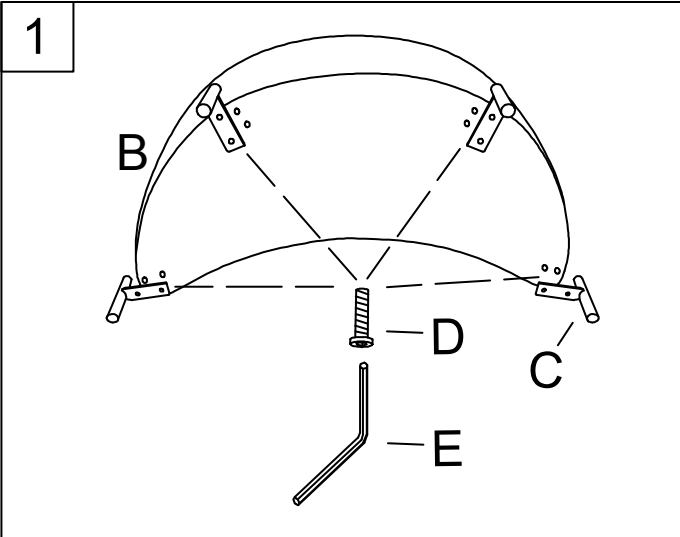
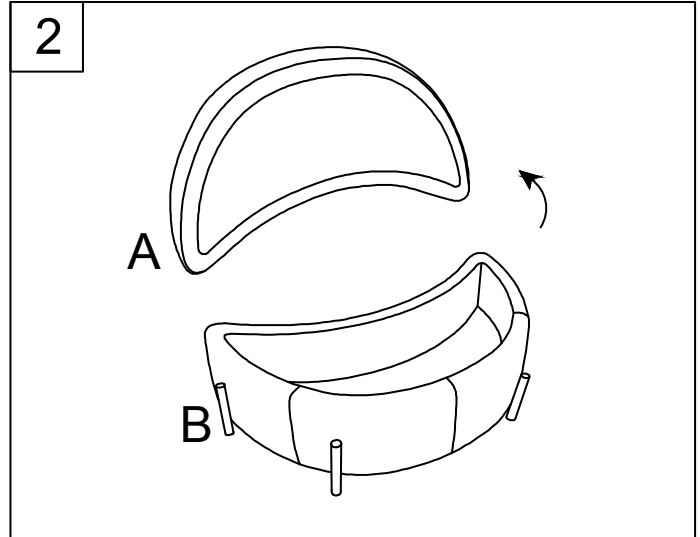


# ASSEMBLY INSTRUCTION

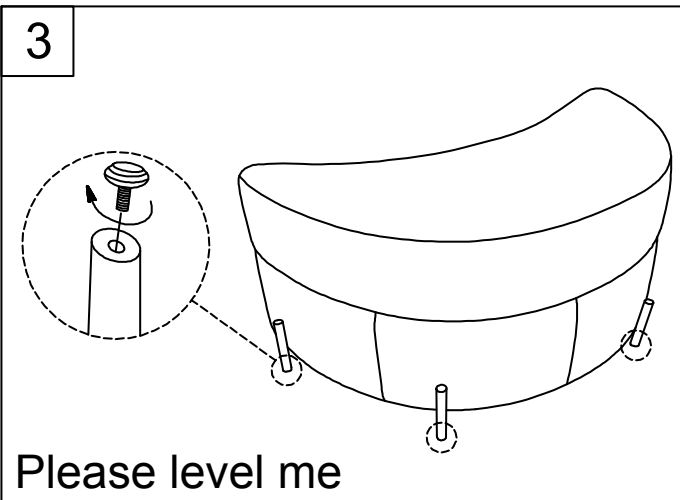
Thank you for purchasing this quality product. Be sure to check all the packing material carefully for small parts, which may have come loose inside the carton during shipment. Identify and count all parts and compare with the **HARDWARE LIST** below.



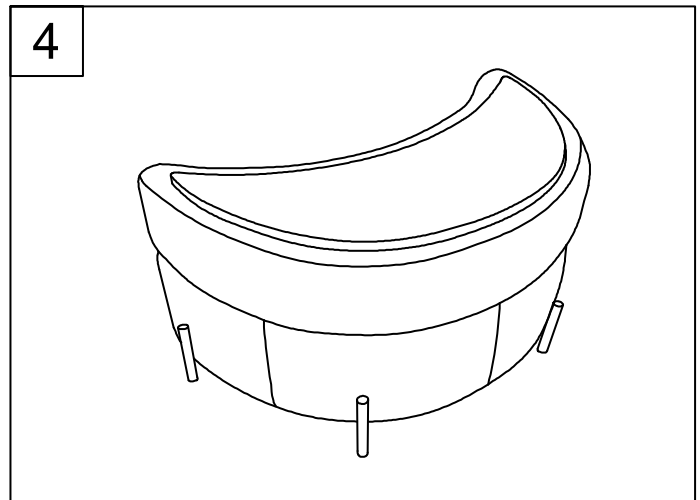
Step1.



Step2.



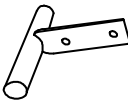

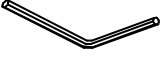
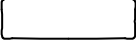


Step3.



Step4.

## PARTS LIST (NO TOOLS REQUIRED)

NO.	DESCRIPTION	PARTS	QTY	NO.	DESCRIPTION	PARTS	QTY
A	Lid		1	B	Trunk		1
C	Legs		4	D	Screws		8
E	Allen Key		1	F	Lumbar Pillow		1

Hardware Pack Location: In the corner of inside ottoman