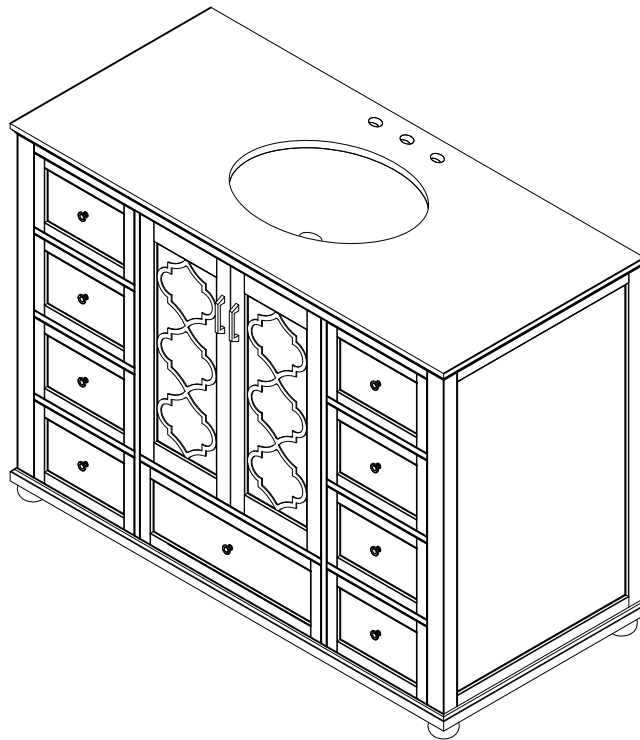


FORMOSA LIVING

FL-10049 Ali 48"W BATHROOM VANITY WITH WHITE MARBLE TOP

UPC# 650728510659 Gray,650728510666 White

ASSEMBLY INSTRUCTIONS

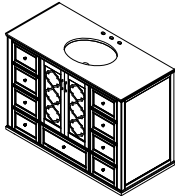
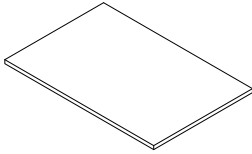
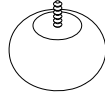



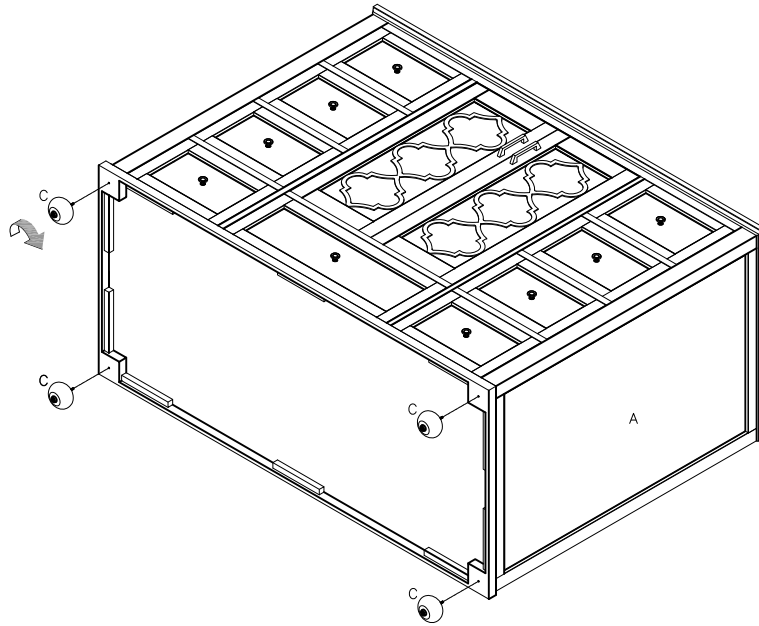
Questions, problems, missing parts? Before returning to your retailer, call our customer service department at 1-888-315-6658, 8 a.m - 5 p.m. EST, Monday-Friday.

Thank you for purchasing this quality product. Be sure to check all packing material carefully for small parts, which may have come loose inside the carton during shipment. Count all parts and material hardware, then compare with parts list to be sure all parts are present. If any parts are missing or damaged, phone, fax, or mail to our Customer Service Department for efficient and speedy service. Please indicate the model number and code letter of part(s) needed.

NOTE: In order to prevent damage during assembly, please assemble this item with at least two people.

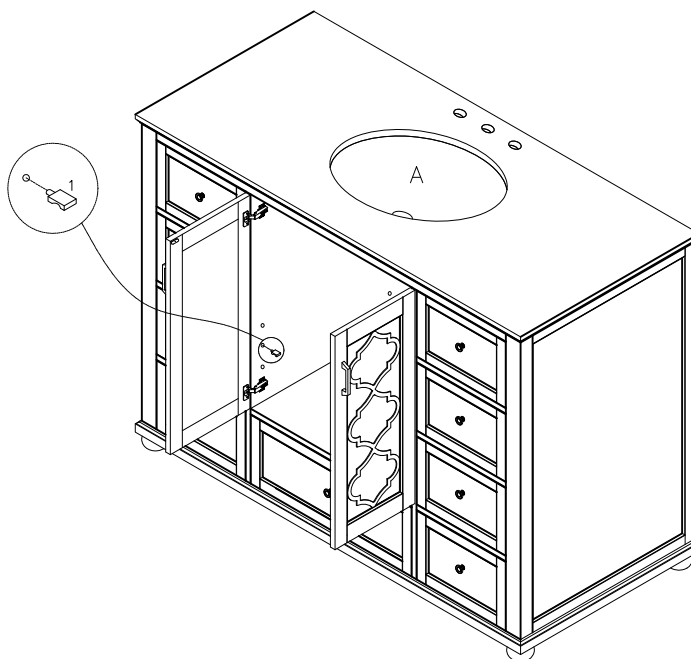
IMPORTANT NOTE: Follow instructions listed below in proper sequence as numbered to assure fast, easy and correct assembly.

PARTS LIST		
A	B	C
 <p>MIAN BODY-1PC</p>	 <p>SHELVE-1PC</p>	 <p>FEET-4PCS</p>
1		
 <p>SHELF SUPPORTS-4PCS</p>		



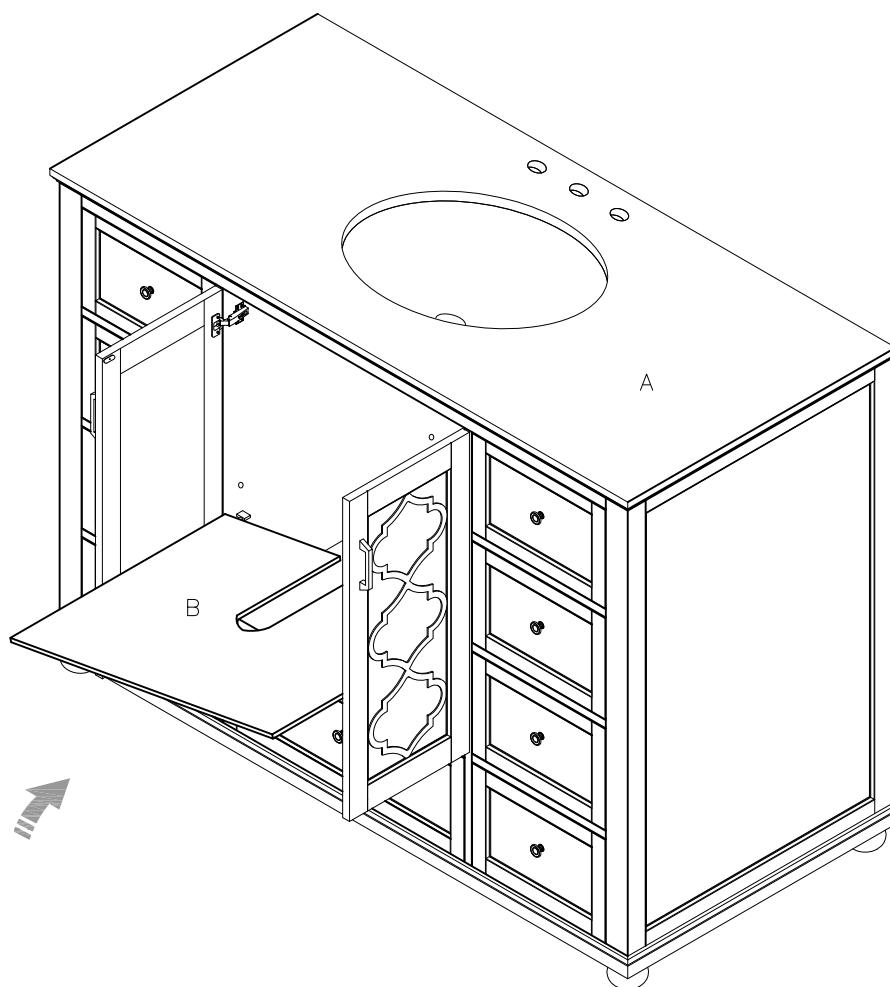
1). ASSEMBLE THE FEET

- INSERT 4 FEET(C) INTO THE HOLES IN THE MIAN BODY(A).



2). ASSEMBLE THE SHELF SUPPORTS

- INSERT 4 SHELF SUPPORTS(1) INTO THE HOLES IN THE MIAN BODY(A).



3). ASSEMBLE THE SHELVES

- PLACE THE SHELVES(B) ONTO THE SHELF SUPPORTS(1).