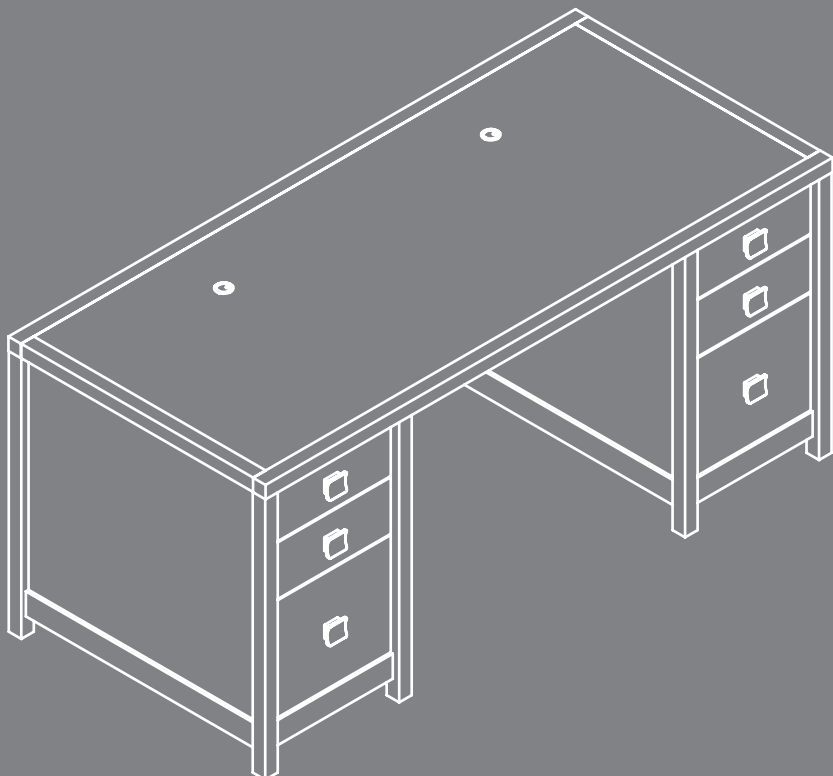


CONTACT US FIRST BEFORE MAKING ANY RETURNS TO THE RETAILER.

Visit [sauder.com/service](https://www.sauder.com/service) to order replacement parts, view video assembly tips, or chat with a live rep.
Prefer the phone? Call or Text 800.445.1527.

Customer Service is available Monday-Friday - 8:30 a.m. to 5:00 p.m. ET (except holidays)



Go all **Wall Street**
on everyone.

Executive Desk

Cannery Bridge Collection | **Model 429414**



Scan to rate and review
your piece at **Sauder.com**

Your opinion matters!



NOTE: THIS INSTRUCTION
BOOKLET CONTAINS **IMPORTANT**
SAFETY INFORMATION.

PLEASE READ AND KEEP FOR
FUTURE REFERENCE.

English pg 1-38
Français pg 39-43
Español pg 44-48

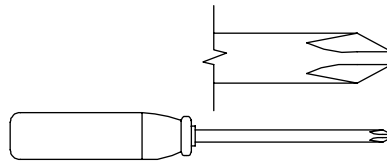
Lot # **569300**
Purchased: _____

08/03/21

Table of Contents

Assembly Tools Required

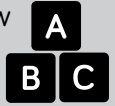
Part Identification	3
Hardware Identification	4
Hardware Usage Guide	5
Assembly Steps	6-38
Français	39-43
Español	44-48
Safety	49-50
Warranty	51



No. 2 Phillips Screwdriver
Tip Shown Actual Size

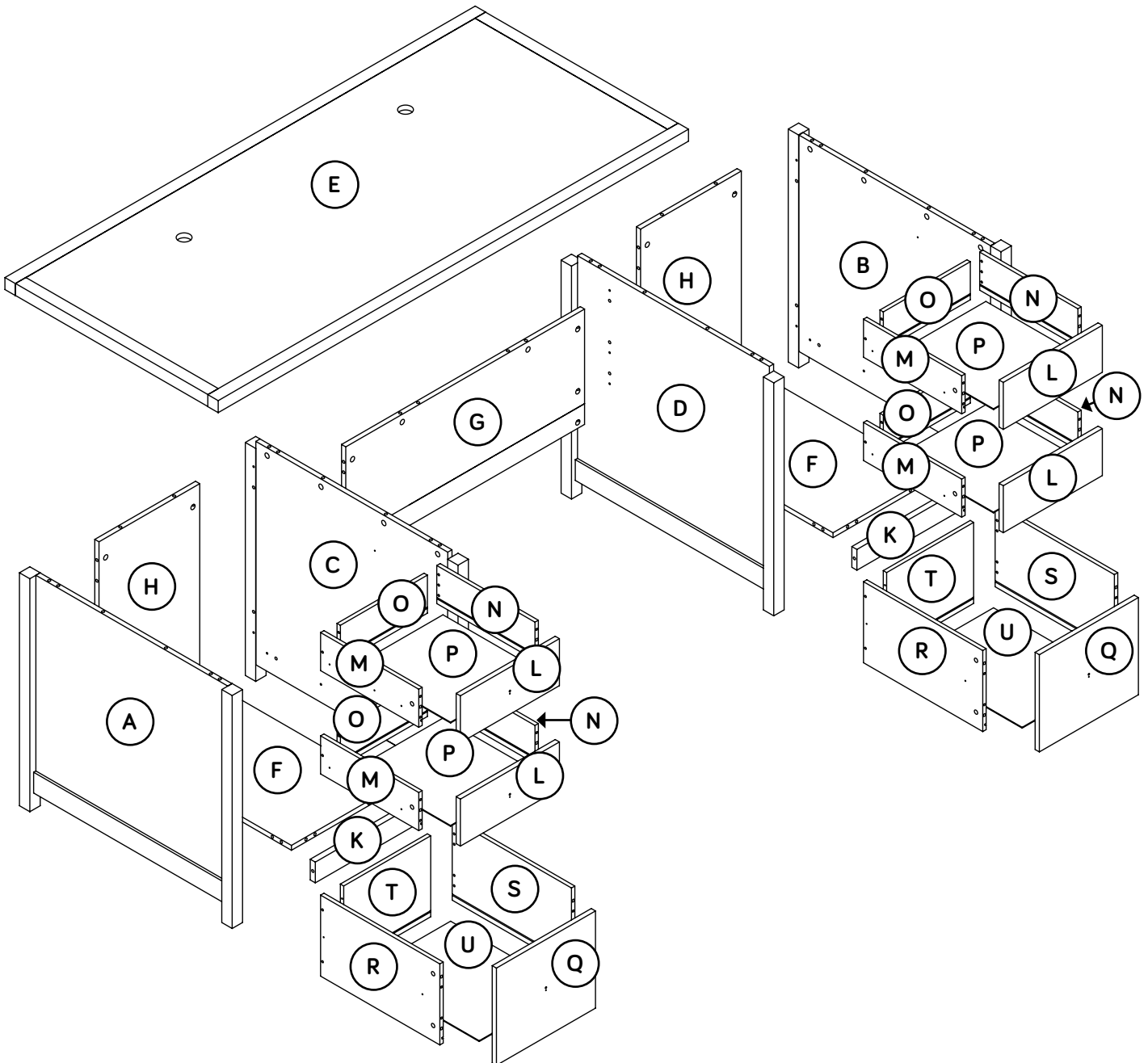
Part Identification

Now you know
our ABCs.



While not all parts are labeled, some of the parts will have a label or an inked letter on the edge to help distinguish similar parts from each other. Use this part identification to help identify similar parts.

A	LEFT END (1)	H	BACK (2)	Q	LARGE DRAWER FRONT (2)
B	RIGHT END (1)	K	BASE (2)	R	LARGE LEFT DRAWER SIDE (2)
C	LEFT UPRIGHT (1)	L	SMALL DRAWER FRONT (4)	S	LARGE RIGHT DRAWER SIDE (2)
D	RIGHT UPRIGHT (1)	M	SMALL LEFT DRAWER SIDE (4)	T	LARGE DRAWER BACK (2)
E	TOP (1)	N	SMALL RIGHT DRAWER SIDE (4)	U	LARGE DRAWER BOTTOM (2)
F	BOTTOM (2)	O	SMALL DRAWER BACK (4)		
G	MODESTY PANEL (1)	P	SMALL DRAWER BOTTOM (4)		

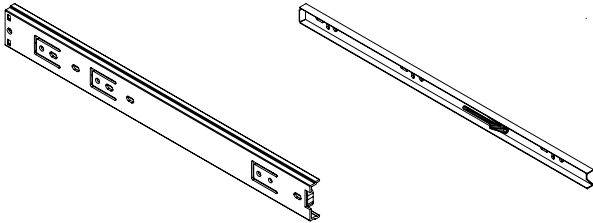


Hardware Identification

† Screws are shown actual size. You may receive extra hardware with your unit.

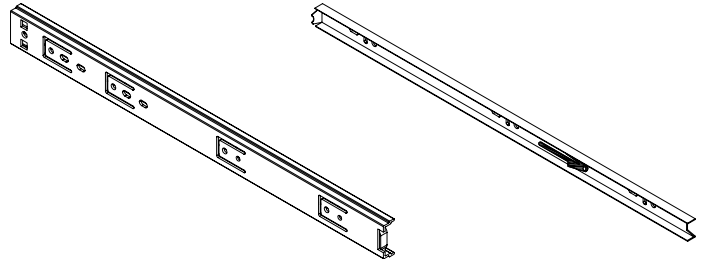
(EXTENSION SET SHOWN SEPARATED)

- 1 SMALL EXTENSION RAIL - 8
- 2 SMALL EXTENSION SLIDE - 8

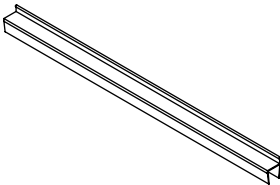


(EXTENSION SET SHOWN SEPARATED)

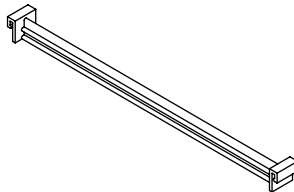
- 3 LARGE EXTENSION RAIL - 4
- 4 LARGE EXTENSION SLIDE - 4



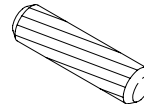
- 5 FILE GLIDE - 4



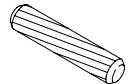
- 6 FILE HANGER - 4



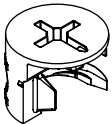
- 7 LARGE WOOD DOWEL - 44



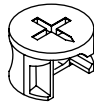
- 8 SMALL WOOD DOWEL - 48



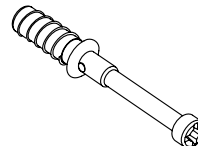
- 9 LARGE HIDDEN CAM - 56



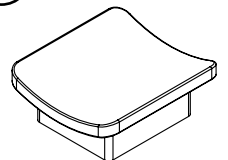
- 10 SMALL HIDDEN CAM - 16



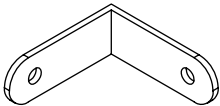
- 11 CAM SCREW - 72



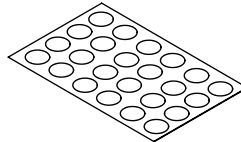
- 12 PULL - 6



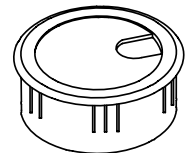
- 15 METAL BRACKET - 8



- 16 APPLIQUE CARD - 1



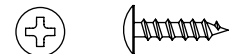
- 19 GROMMET WITH CAP - 2



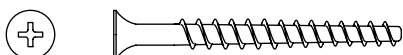
- 20 3/8" FLAT HEAD SCREW - 76



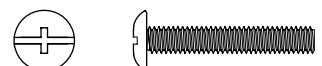
- 22 1/2" PAN HEAD SCREW - 16



- 24 1-1/2" FLAT HEAD SCREW - 16



- 25 7/8" MACHINE SCREW - 6



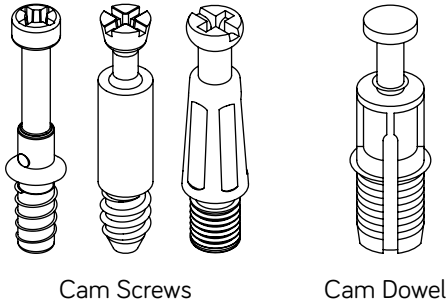
Hardware Usage Guide

Look for this icon. It means a video assembly tip is available at www.sauder.com/service/tips. Find the numbered video or scan the QR code.

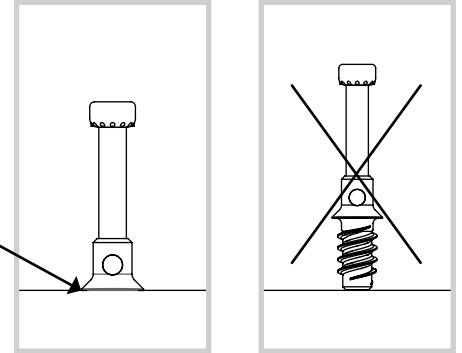


HOW TO USE A HIDDEN CAM & CAM SCREW OR CAM DOWEL

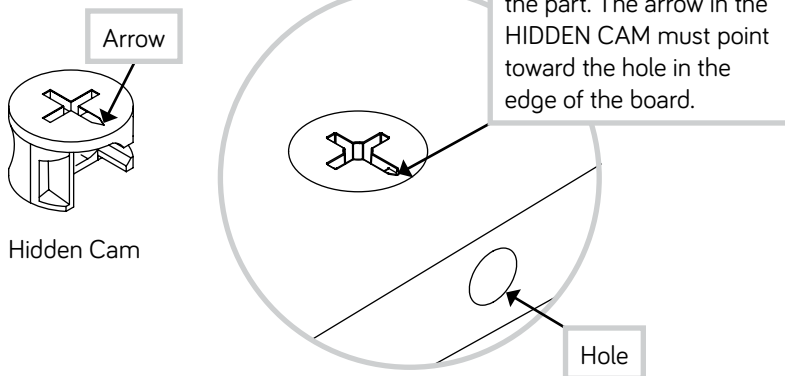
1. **NOTE:** Various CAM SCREWS or a CAM DOWEL may be used.



Turn the CAM SCREW or gently tap the CAM DOWEL until the shoulder is against the surface of the part.

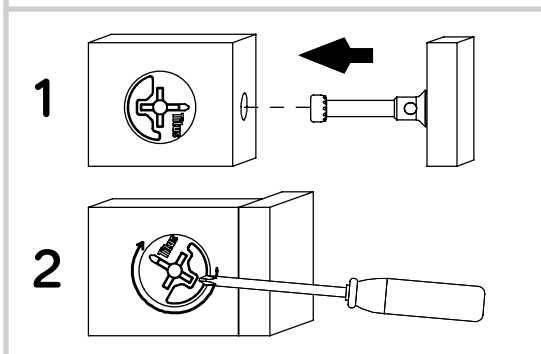


2.



3.

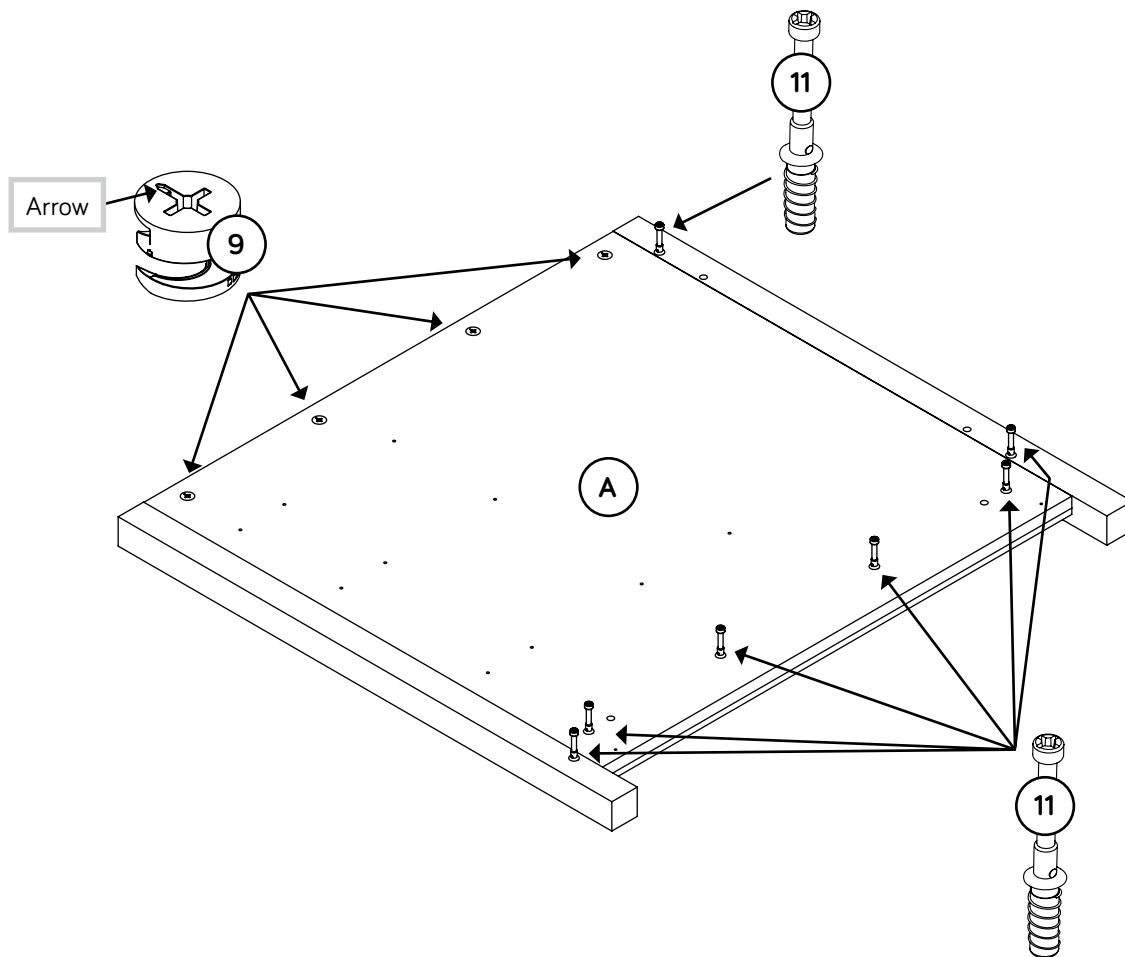
Insert the CAM SCREW or CAM DOWEL into the HIDDEN CAM. Tighten the HIDDEN CAM.



Step 1



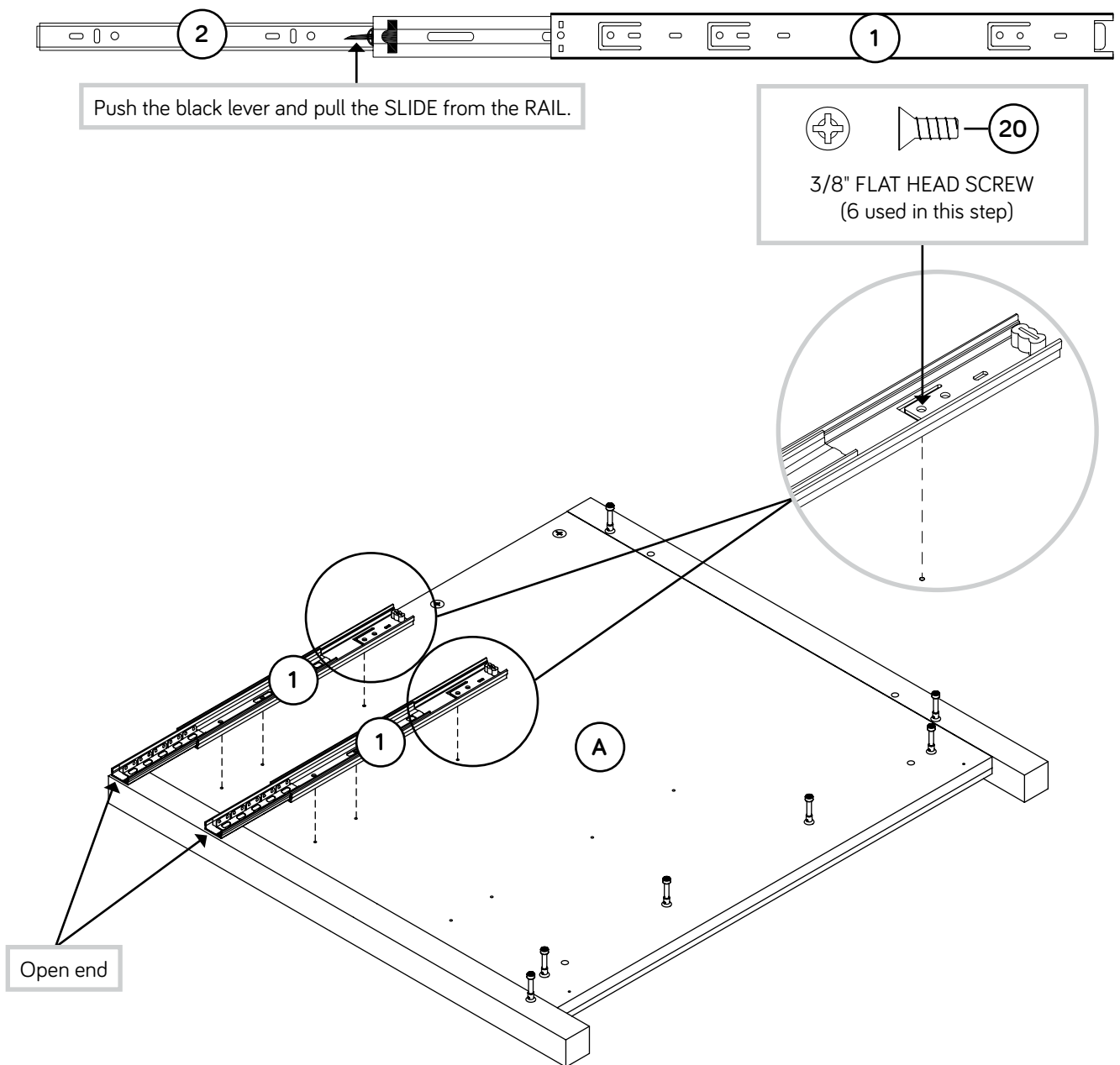
- ✦ Assemble your unit on a carpeted floor or on the empty carton to avoid scratching your unit or the floor.
- ✦ Turn seven CAM SCREWS (11) into the LEFT END (A).
- ✦ Push four HIDDEN CAMS (9) into the LEFT END (A).



Step 2



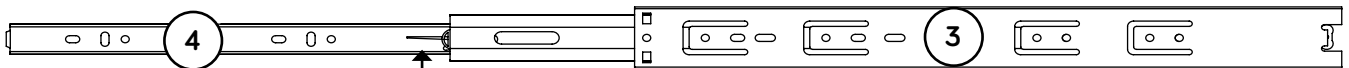
- ✚ Separate the SMALL EXTENSION SLIDES (2) from the SMALL EXTENSION RAILS (1) as shown in the upper diagram below. Be prepared, the parts are greasy.
- ✚ Fasten two EXTENSION RAILS (1) to the LEFT END (A). Use six 3/8" FLAT HEAD SCREWS (20).
- ✚ NOTE: For each EXTENSION RAIL, turn a SCREW into the hole shown in the enlarged diagram. Then, slide the inner cartridge of the EXTENSION RAIL in to find the other holes that lines up with the holes in the LEFT END. Turn a SCREW into these holes.
- ✚ NOTE: The SMALL EXTENSION SLIDES will be used later for the SMALL DRAWERS.



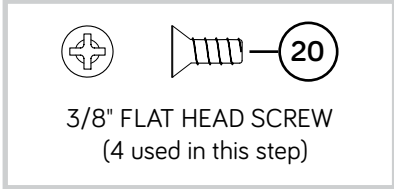
Step 3



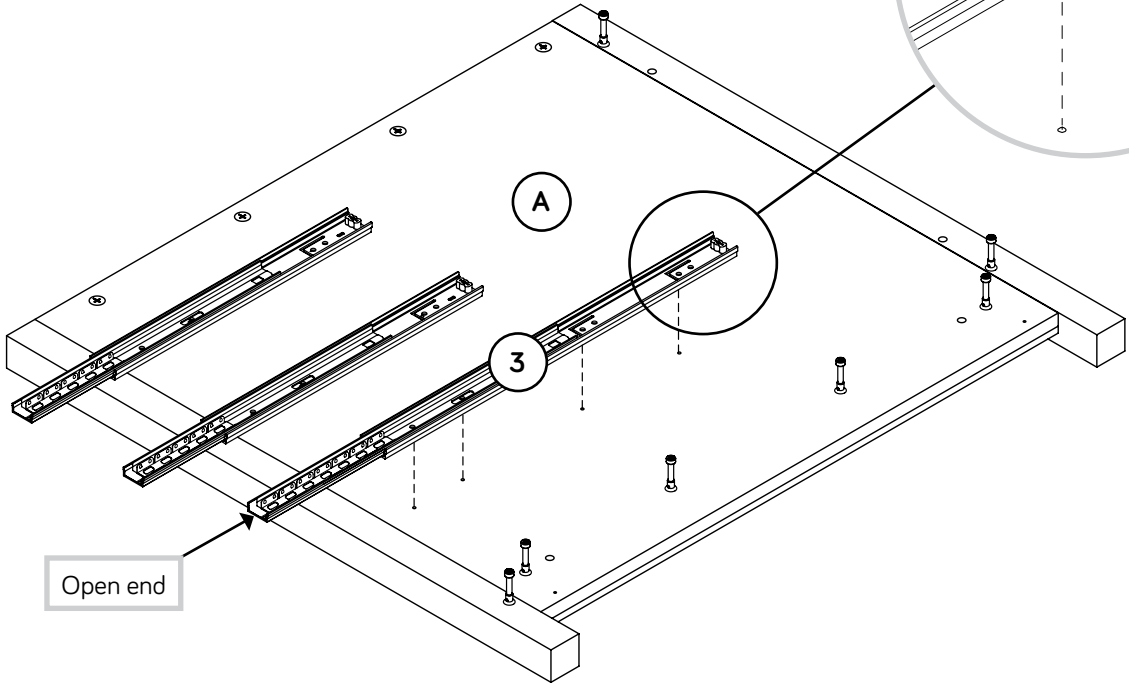
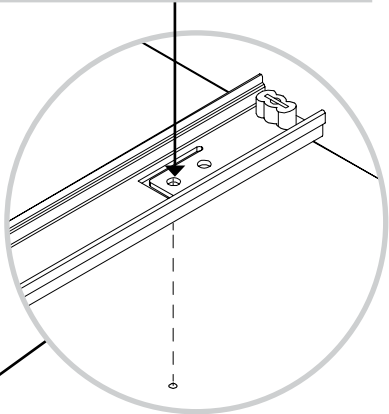
- ✦ Separate the LARGE EXTENSION SLIDES (4) from the LARGE EXTENSION RAILS (3) as shown in the upper diagram below. Be prepared, the parts are greasy.
- ✦ Fasten a LARGE EXTENSION RAIL (3) to the LEFT END (A). Use four 3/8" FLAT HEAD SCREWS (20).
- ✦ NOTE: For each EXTENSION RAIL, turn a SCREW into the hole shown in the enlarged diagram. Then, slide the inner cartridge of the EXTENSION RAIL in to find the other holes that lines up with the holes in the LEFT END. Turn a SCREW into these holes.
- ✦ NOTE: The LARGE EXTENSION SLIDES will be used later for the LARGE DRAWERS.



Push the black lever and pull the SLIDE from the RAIL.



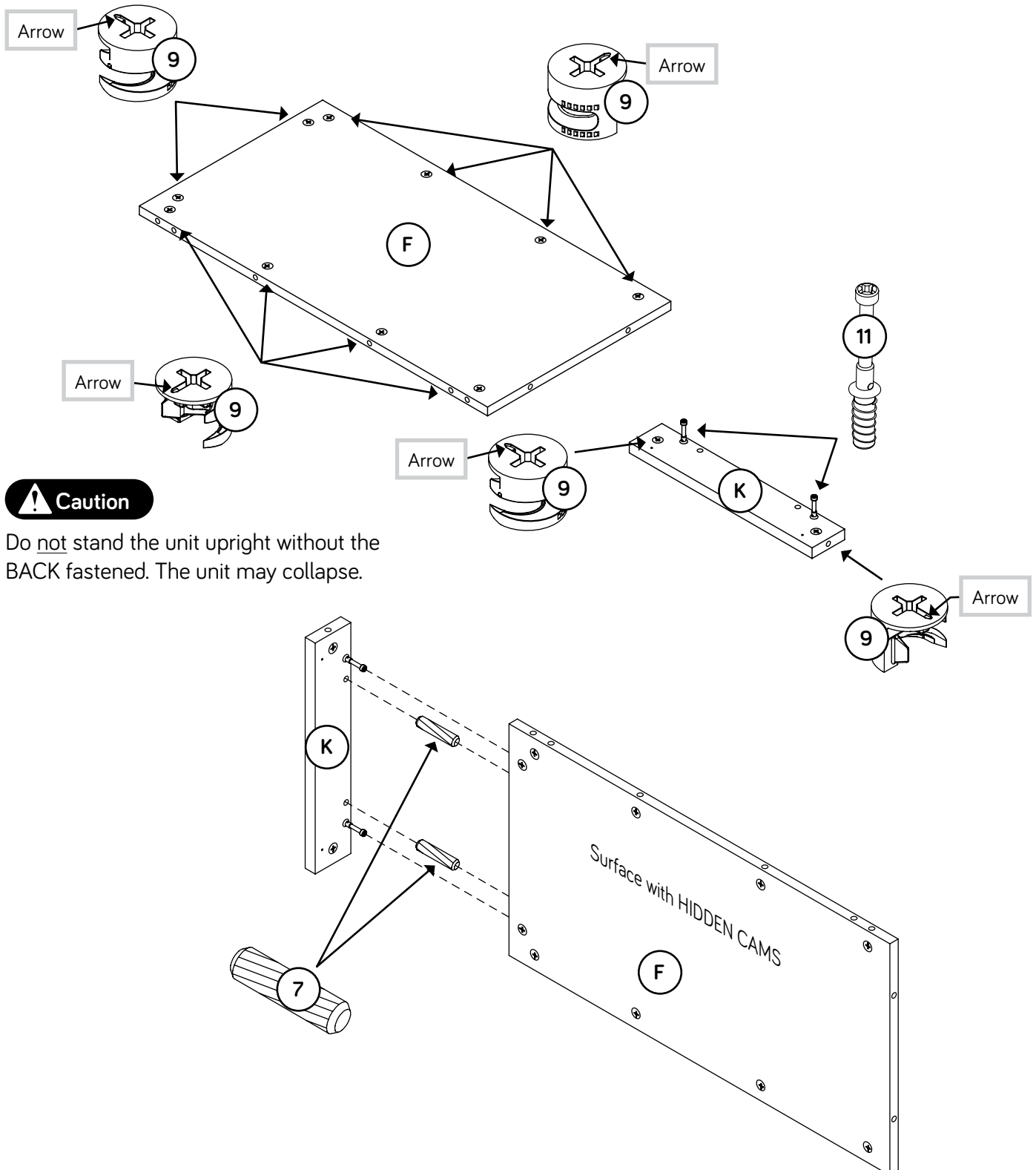
3/8" FLAT HEAD SCREW
(4 used in this step)



Step 4



- ✚ Push twelve LARGE HIDDEN CAMS (9) into a BOTTOM (F) and a BASE (K).
- ✚ Turn two CAM SCREWS (11) into the BASE (K).
- ✚ Insert two LARGE WOOD DOWELS (7) into the BASE (K).
- ✚ Fasten the BASE (K) to the BOTTOM (F). Tighten two LARGE HIDDEN CAMS.
- ✚ **NOTE:** Be sure the LARGE WOOD DOWELS in the BASE insert into the BOTTOM.



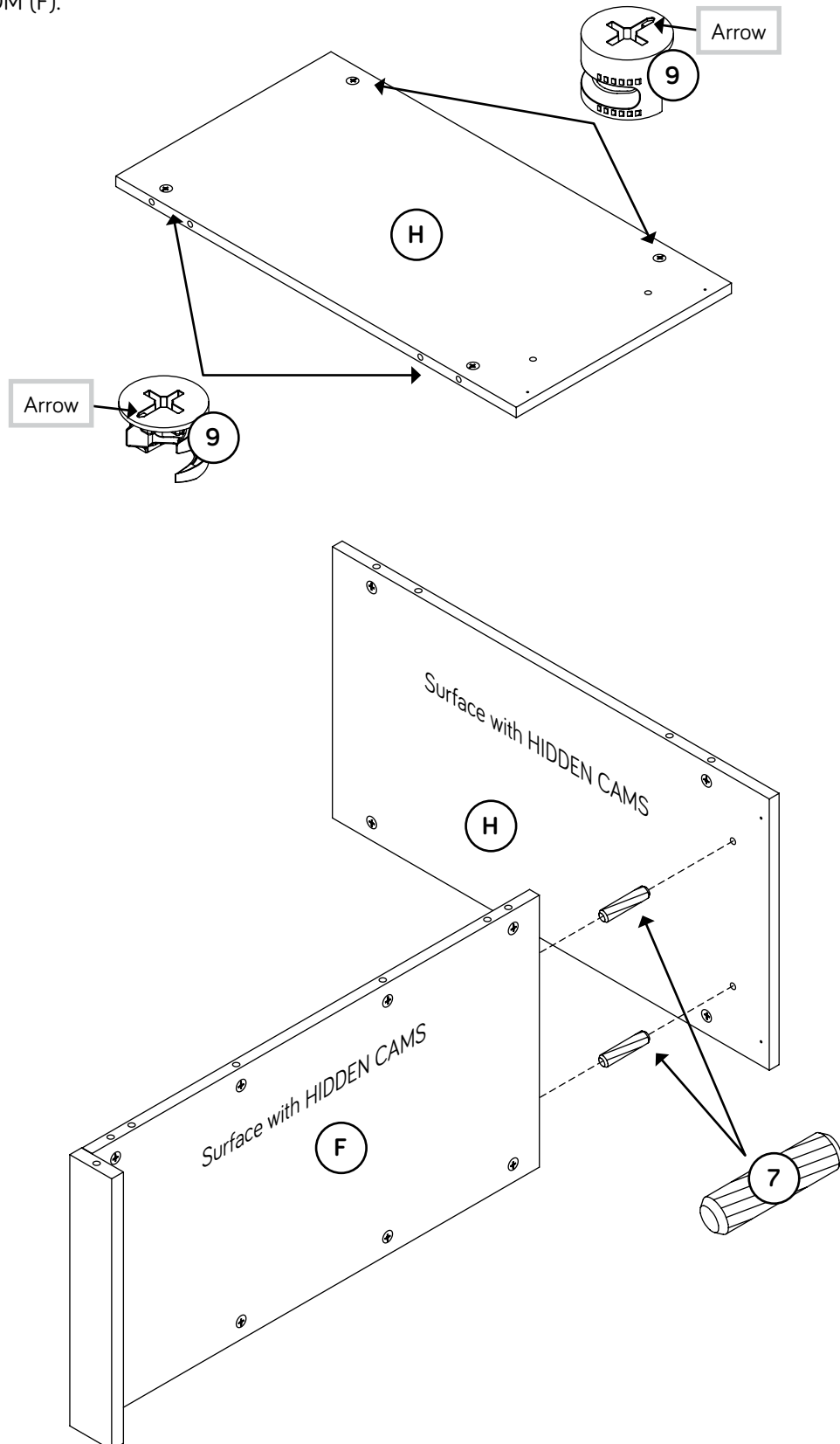
⚠ Caution

Do not stand the unit upright without the BACK fastened. The unit may collapse.

Step 5



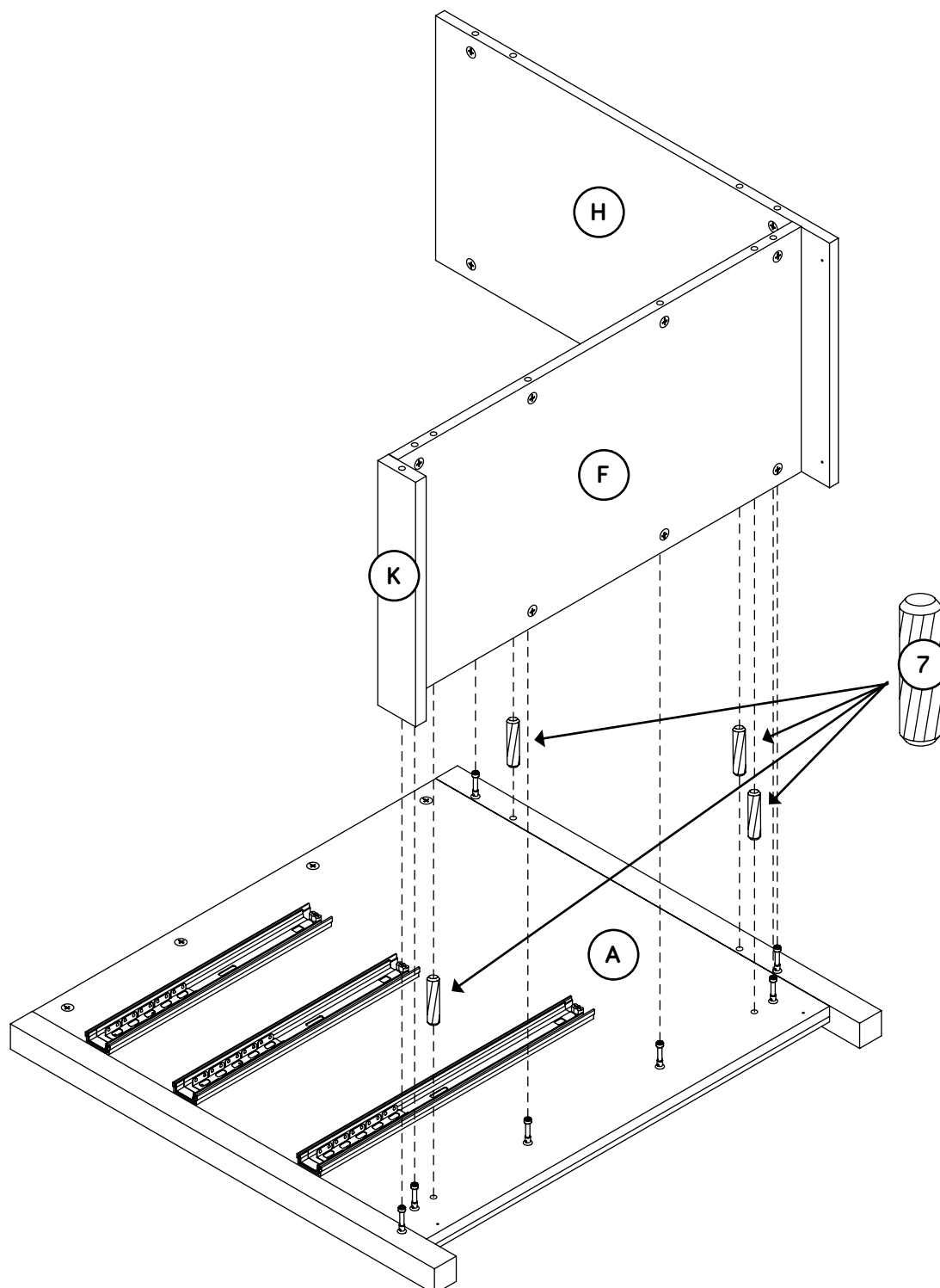
- ✚ Push four LARGE HIDDEN CAMS (9) into a BACK (H).
- ✚ Insert two LARGE WOOD DOWELS (7) into the edge of the BOTTOM (F)
- ✚ Push the BACK (H) onto the LARGE WOOD DOWELS (7) in the BOTTOM (F).



Step 6



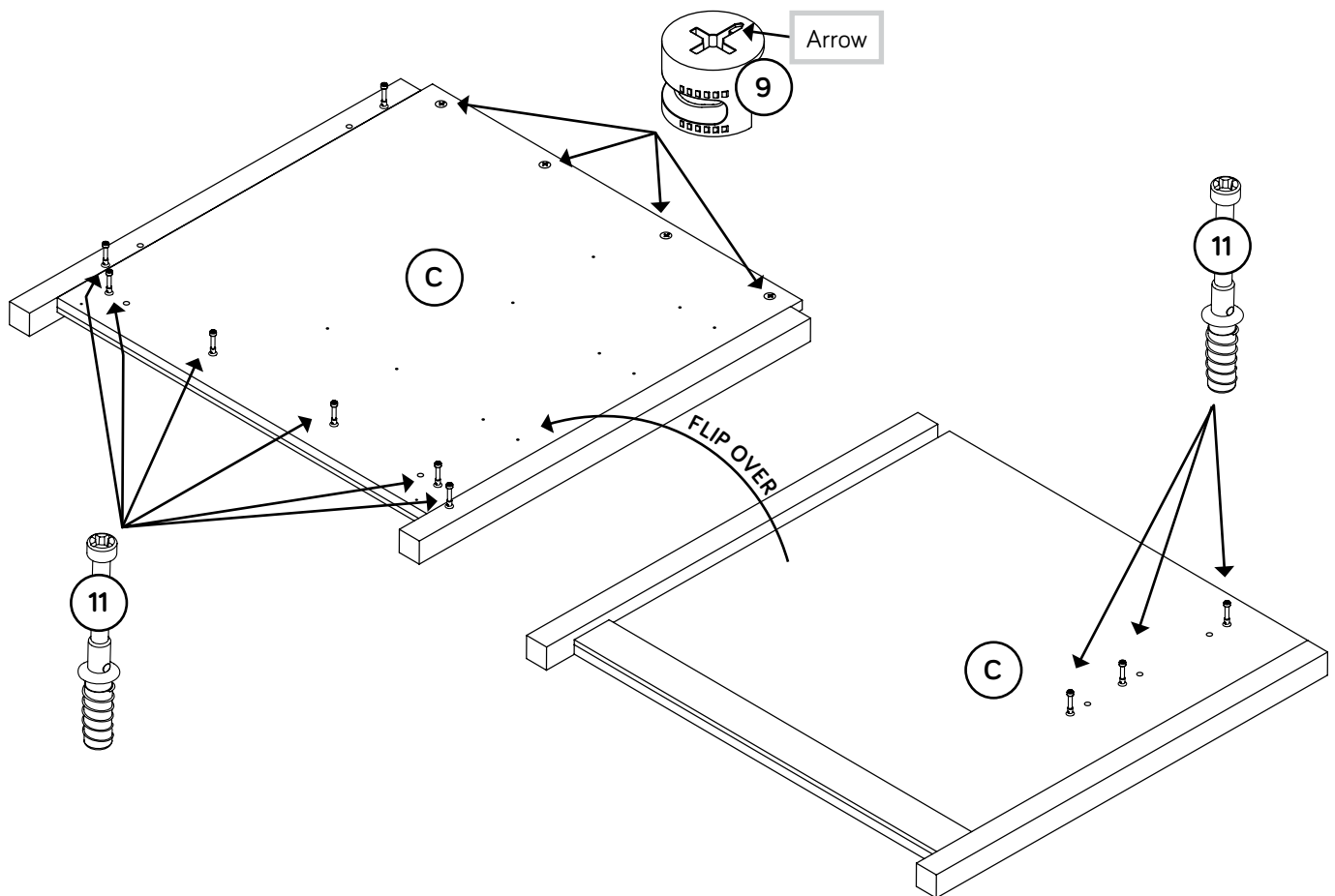
- ✚ Insert four LARGE WOOD DOWELS (7) into the LEFT END (A).
- ✚ Fasten the BOTTOM (F), BACK (H), and BASE (K) to the LEFT END (A). Tighten seven LARGE HIDDEN CAMS.
- ✚ NOTE: Be sure the WOOD DOWELS in the LEFT END insert into the BACK and BOTTOM.



Step 7

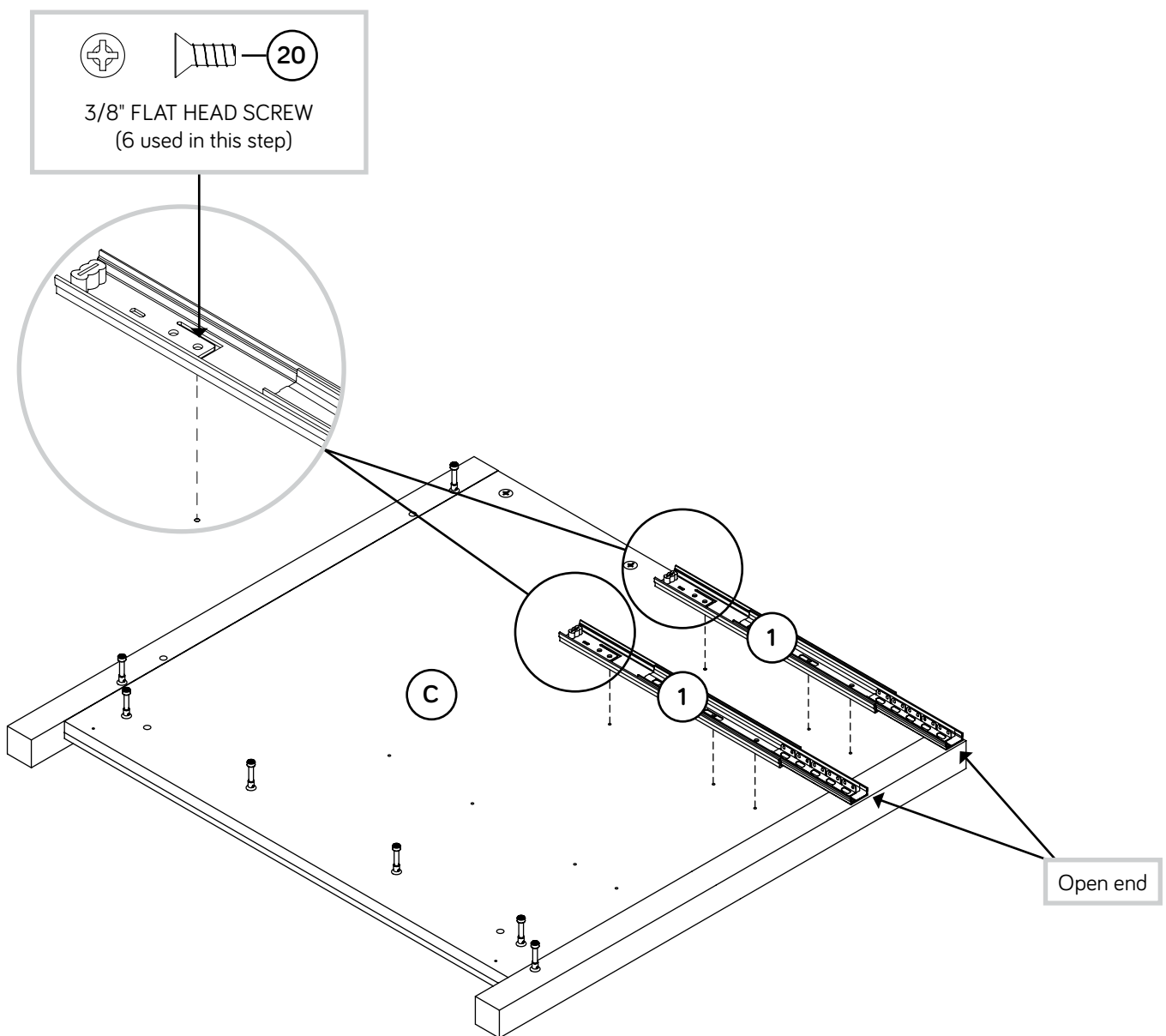


- ✚ Turn three CAM SCREWS (11) into the LEFT UPRIGHT (C).
- ✚ Flip the LEFT UPRIGHT (C) over and turn seven CAM SCREWS (11) into the opposite surface.
- ✚ Push four LARGE HIDDEN CAMS (9) into the LEFT UPRIGHT (C).



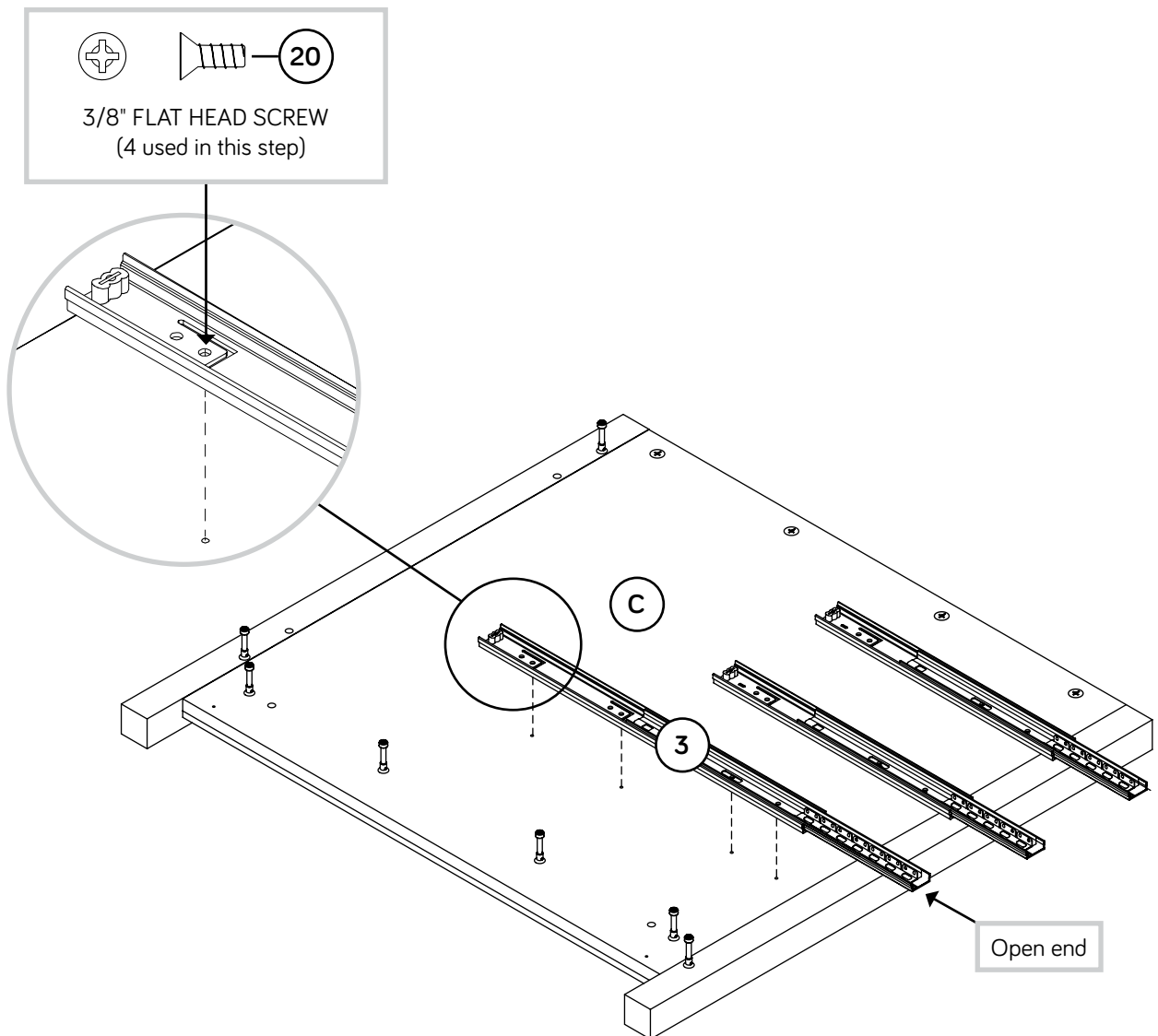
Step 8

- ✚ Fasten the SMALL EXTENSION RAILS (1) to the LEFT UPRIGHT (C). Use six 3/8" FLAT HEAD SCREWS (20).
- ✚ NOTE: For each EXTENSION RAIL, turn a SCREW into the hole shown in the enlarged diagram. Then, slide the inner cartridge of the EXTENSION RAIL in to find the other holes that lines up with the holes in the LEFT UPRIGHT. Turn a SCREW into these holes.
- ✚ NOTE: The SMALL EXTENSION SLIDES will be used later for the SMALL DRAWERS.



Step 9

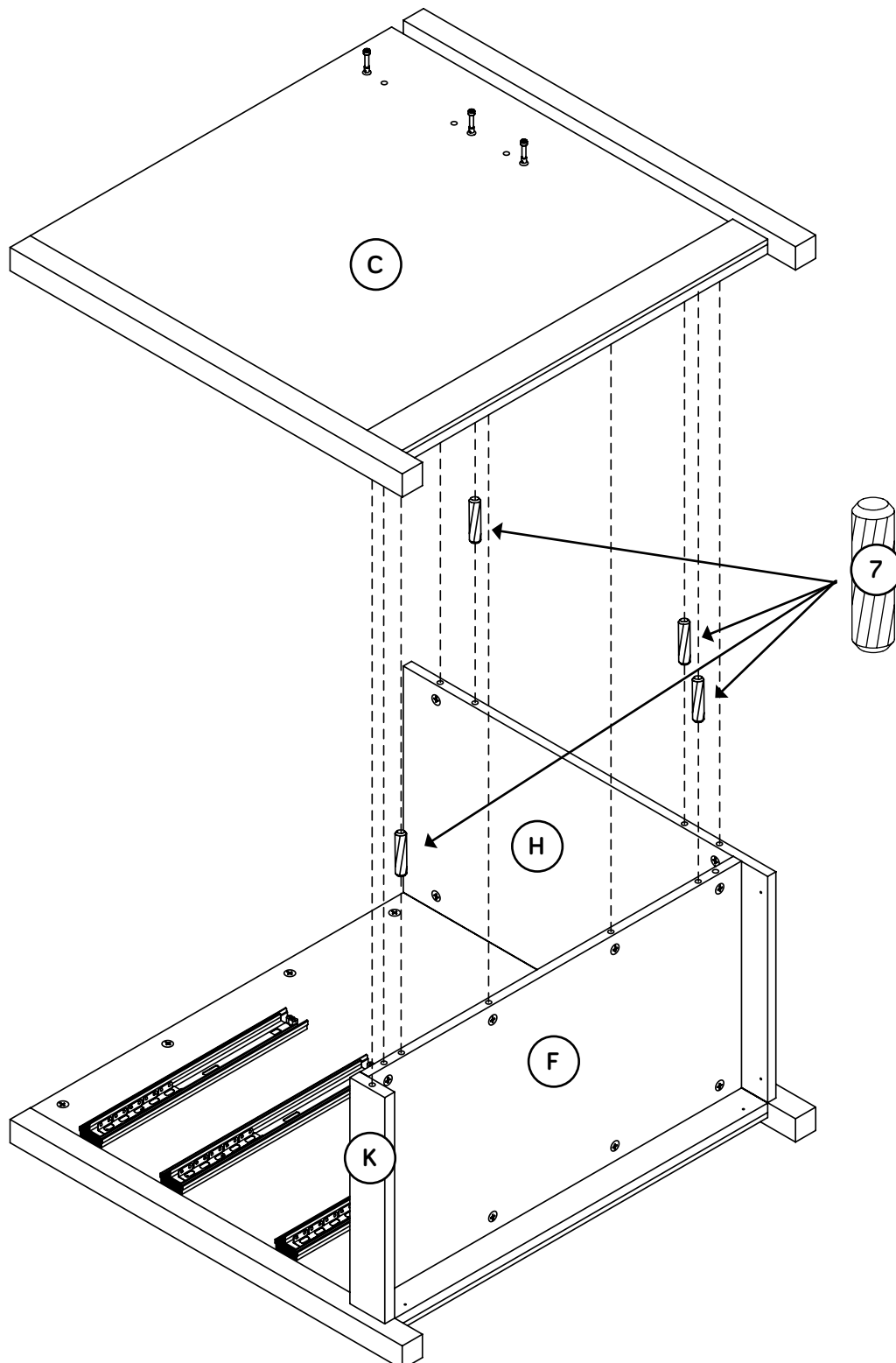
- Fasten the LARGE EXTENSION RAIL (3) to the LEFT UPRIGHT (C). Use four 3/8" FLAT HEAD SCREWS (20).
- NOTE:** For each EXTENSION RAIL, turn a SCREW into the hole shown in the enlarged diagram. Then, slide the inner cartridge of the EXTENSION RAIL in to find the other holes that lines up with the holes in the LEFT UPRIGHT. Turn a SCREW into these holes.
- NOTE:** The LARGE EXTENSION SLIDES will be used later for the LARGE DRAWERS.



Step 10

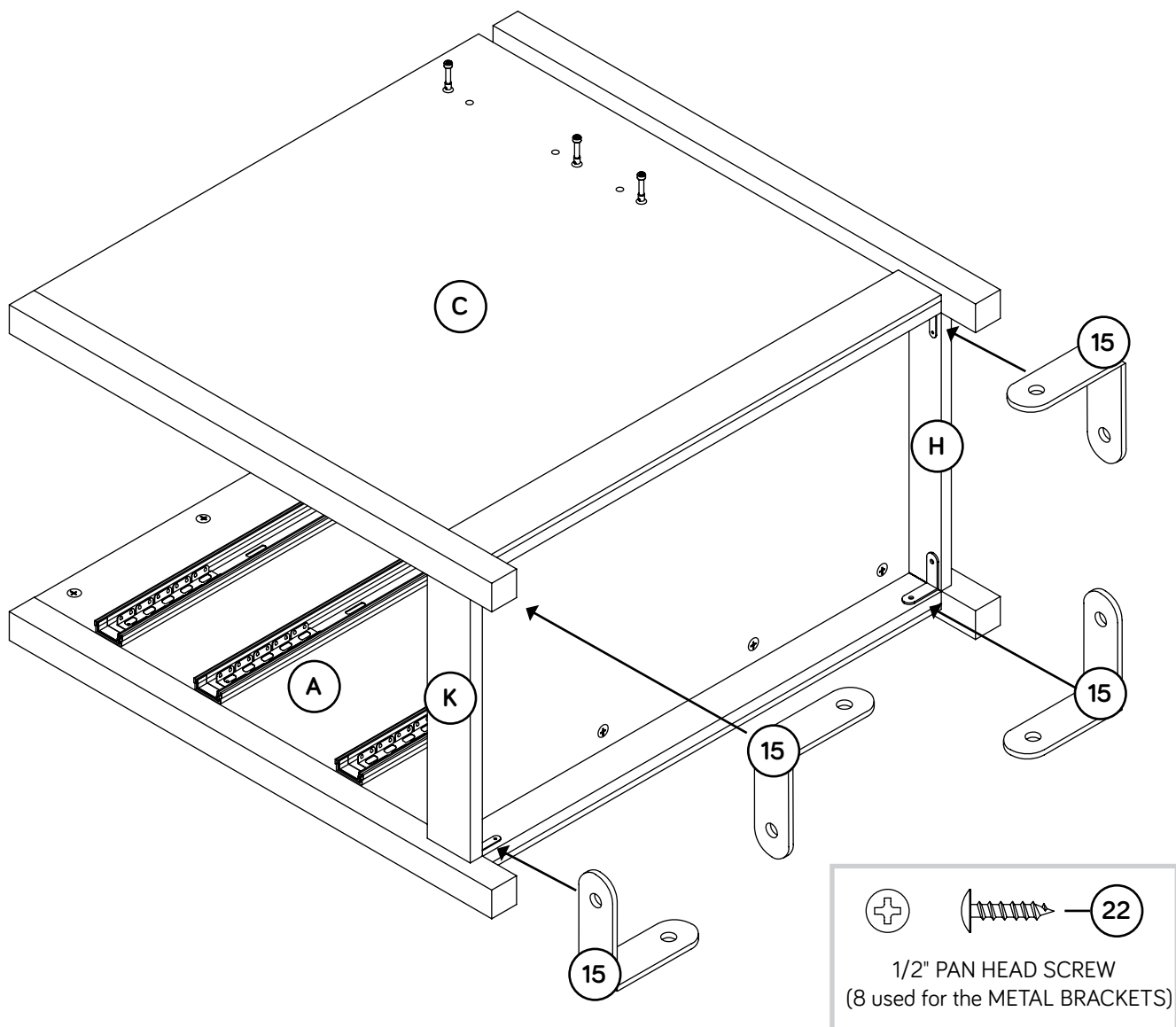


- ✚ Insert four LARGE WOOD DOWELS (7) into the BOTTOM (F) and BACK (H).
- ✚ Fasten LEFT UPRIGHT (C) to the BOTTOM (F), BACK (H) and BASE (K). Tighten seven LARGE HIDDEN CAMS.
- ✚ NOTE: Be sure the LARGE WOOD DOWELS in the BOTTOM and BACK insert into the LEFT UPRIGHT.



Step 11

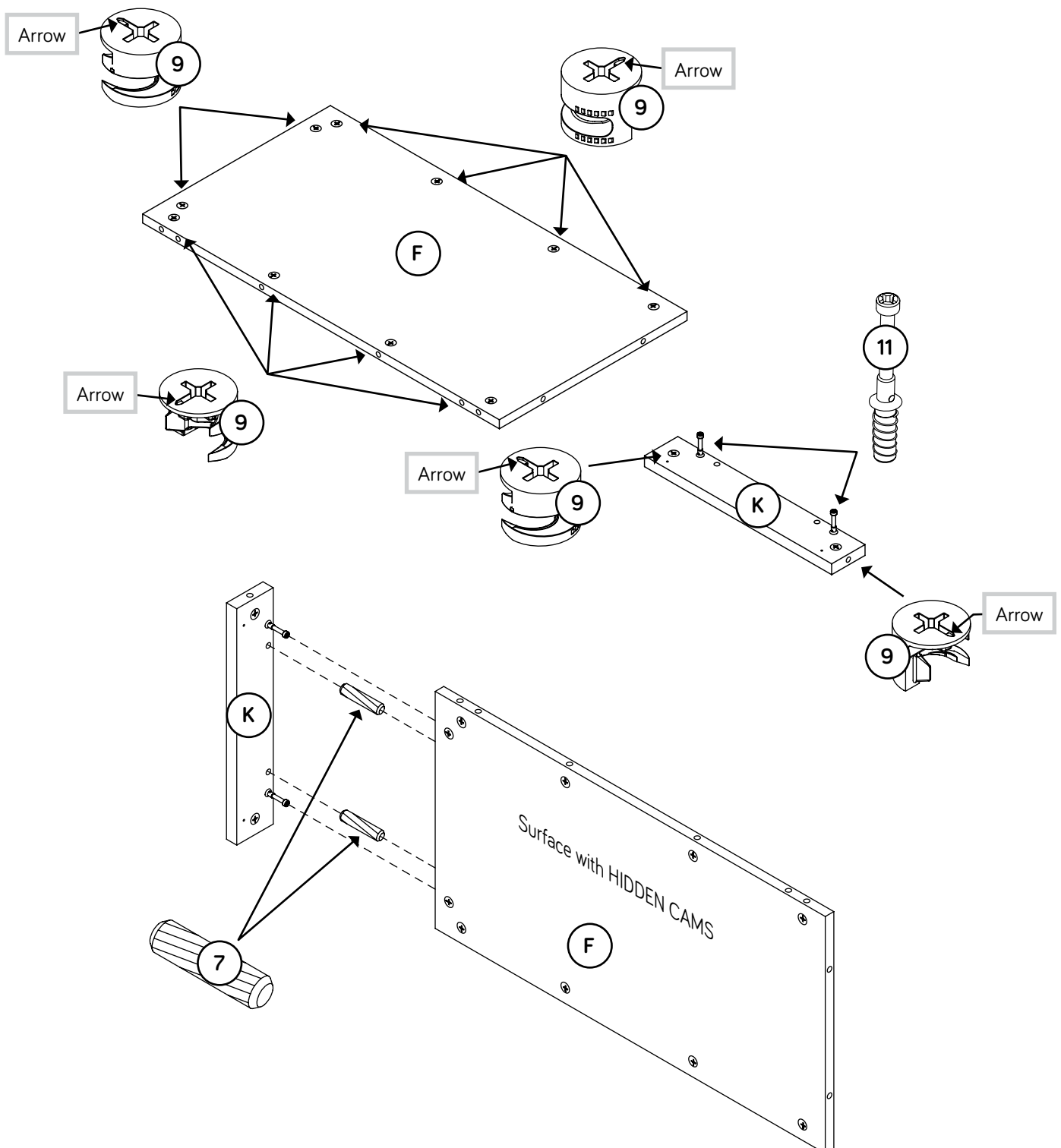
- Fasten four METAL BRACKETS (15) to the LEFT END (A), LEFT UPRIGHT (C), BACK (H), and BASE (K). Use eight 1/2" PAN HEAD SCREWS (22).



Step 12



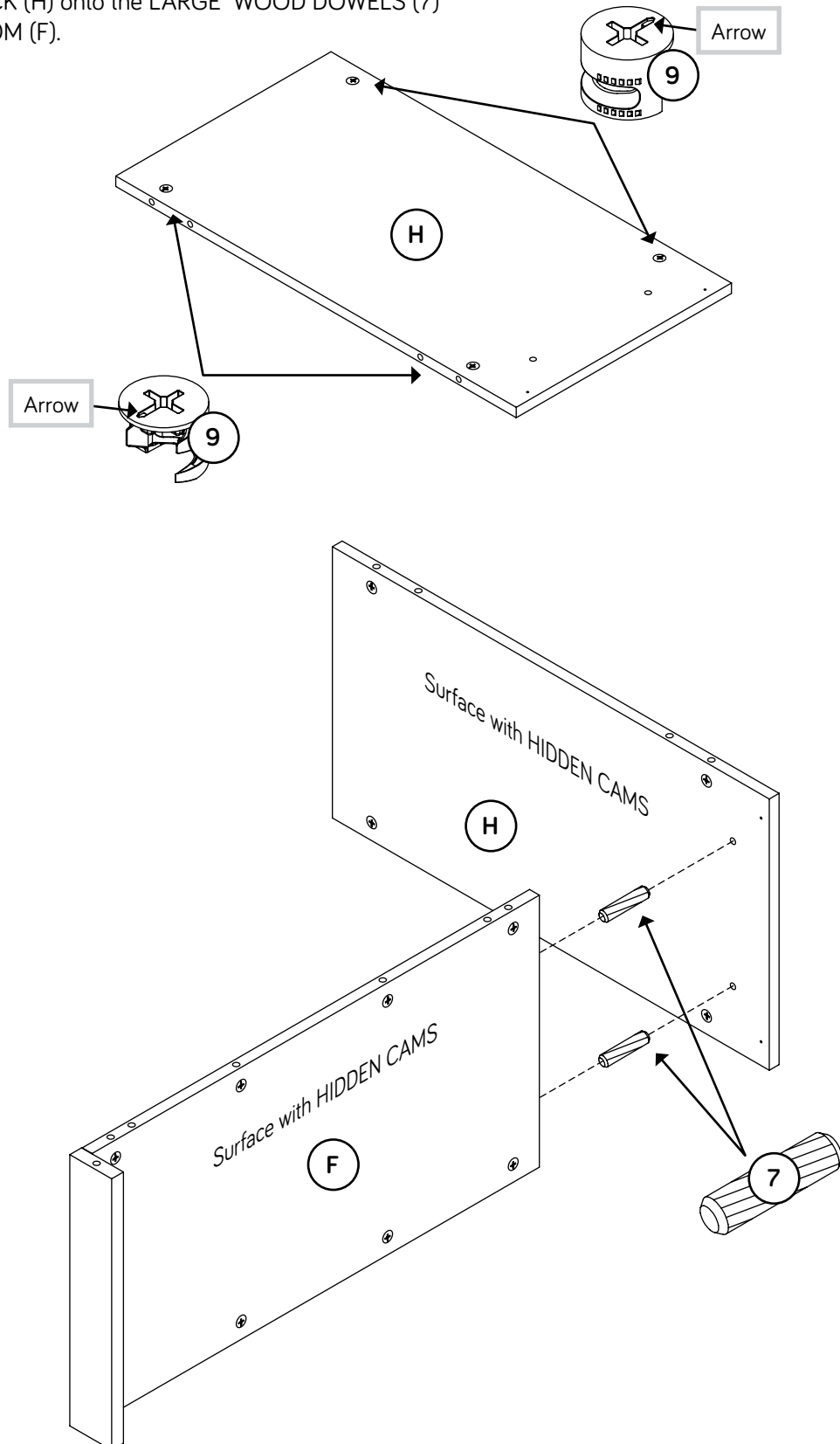
- ✚ Push twelve LARGE HIDDEN CAMS (9) into the remaining BOTTOM (F) and BASE (K).
- ✚ Turn two CAM SCREWS (11) into the BASE (K).
- ✚ Insert two LARGE WOOD DOWELS (7) into the BASE (K).
- ✚ Fasten the BASE (K) to the BOTTOM (F). Tighten two LARGE HIDDEN CAMS.
- ✚ NOTE: Be sure the WOOD DOWELS in the BASE insert into the BOTTOM.



Step 13



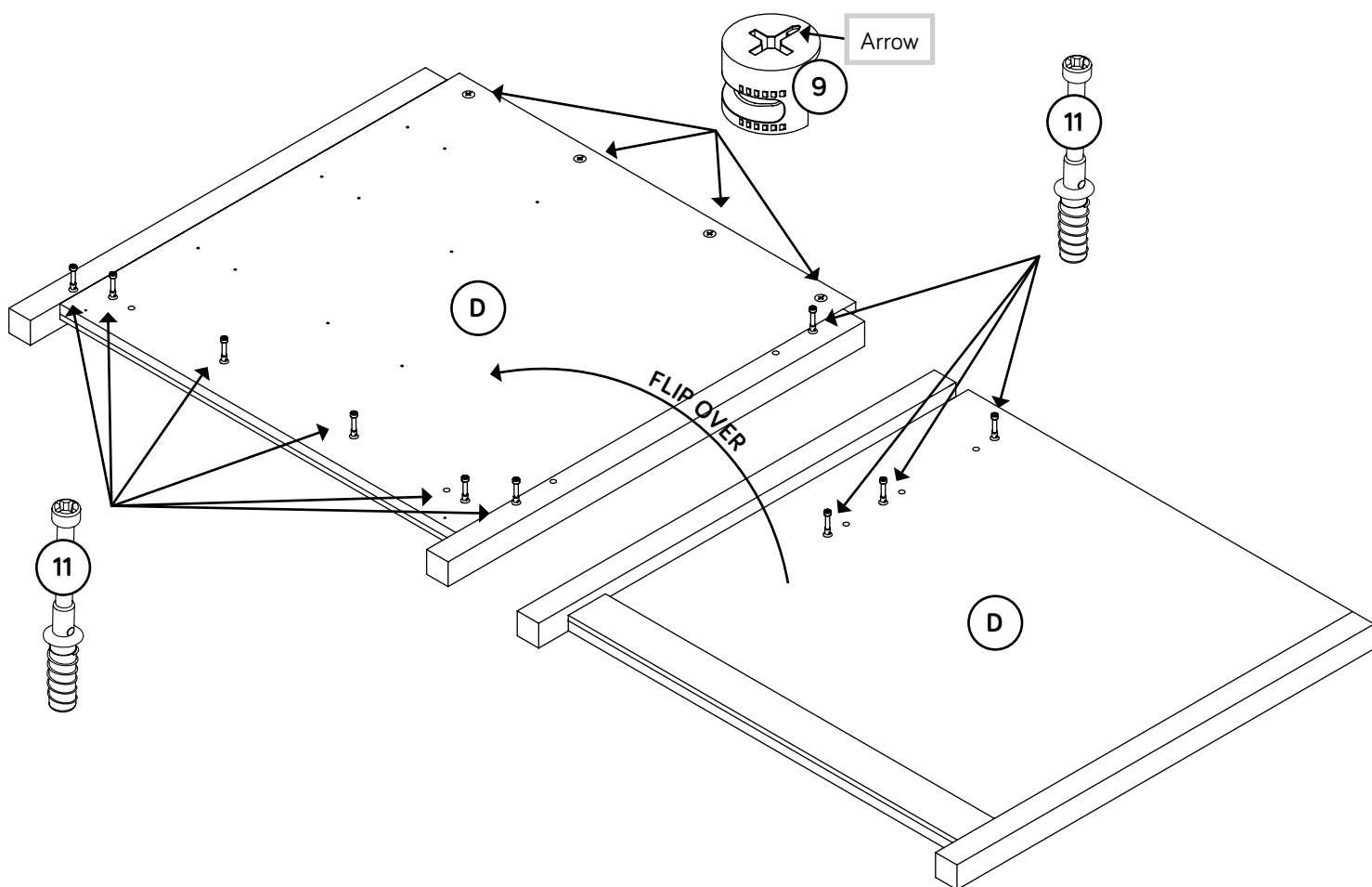
- ✚ Push four LARGE HIDDEN CAMS (9) into the remaining BACK (H).
- ✚ Insert two LARGE WOOD DOWELS (7) into the edge of the BOTTOM (F)
- ✚ Push the BACK (H) onto the LARGE WOOD DOWELS (7) in the BOTTOM (F).



Step 14

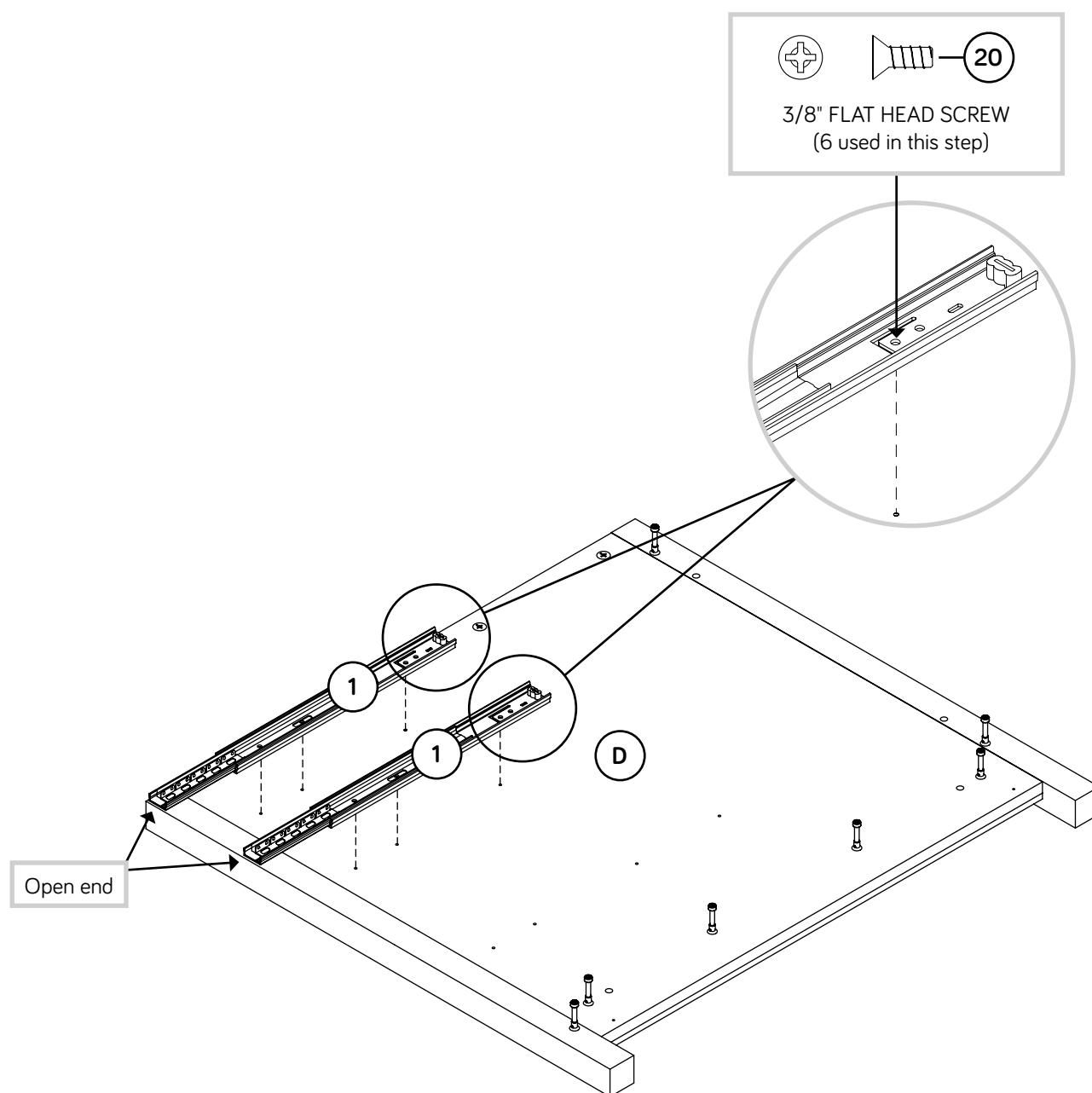


- ✚ Turn three CAM SCREWS (11) into the RIGHT UPRIGHT (D).
- ✚ Flip the RIGHT UPRIGHT (D) over and turn seven CAM SCREWS (11) into the opposite surface.
- ✚ Push four LARGE HIDDEN CAMS (9) into the RIGHT UPRIGHT (D).



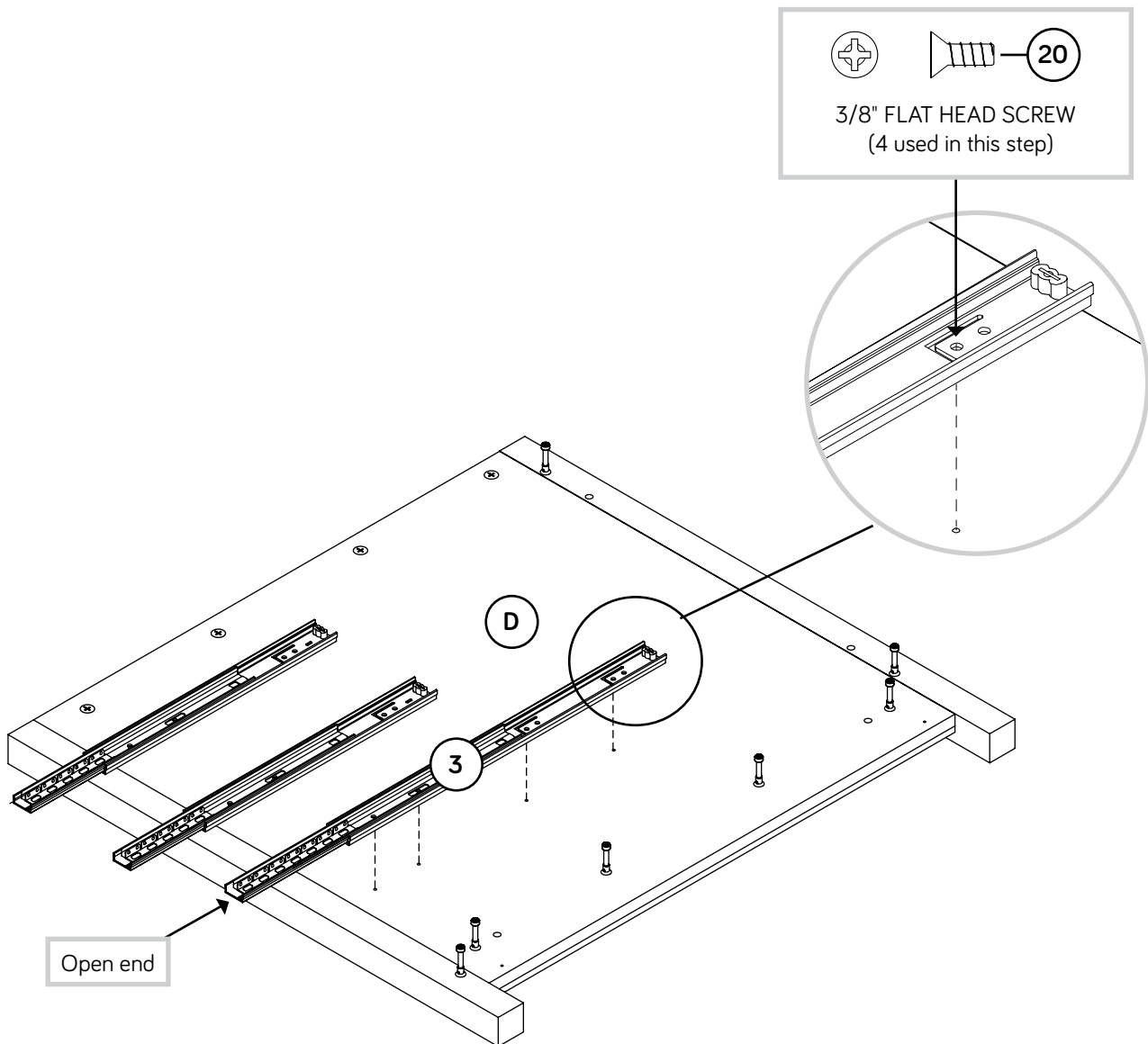
Step 15

- Fasten the SMALL EXTENSION RAILS (1) to the RIGHT UPRIGHT (D). Use six 3/8" FLAT HEAD SCREWS (20).
- NOTE:** For each EXTENSION RAIL, turn a SCREW into the hole shown in the enlarged diagram. Then, slide the inner cartridge of the EXTENSION RAIL in to find the other holes that lines up with the holes in the RIGHT UPRIGHT. Turn a SCREW into these holes.
- NOTE:** The SMALL EXTENSION SLIDES will be used later for the SMALL DRAWERS.



Step 16

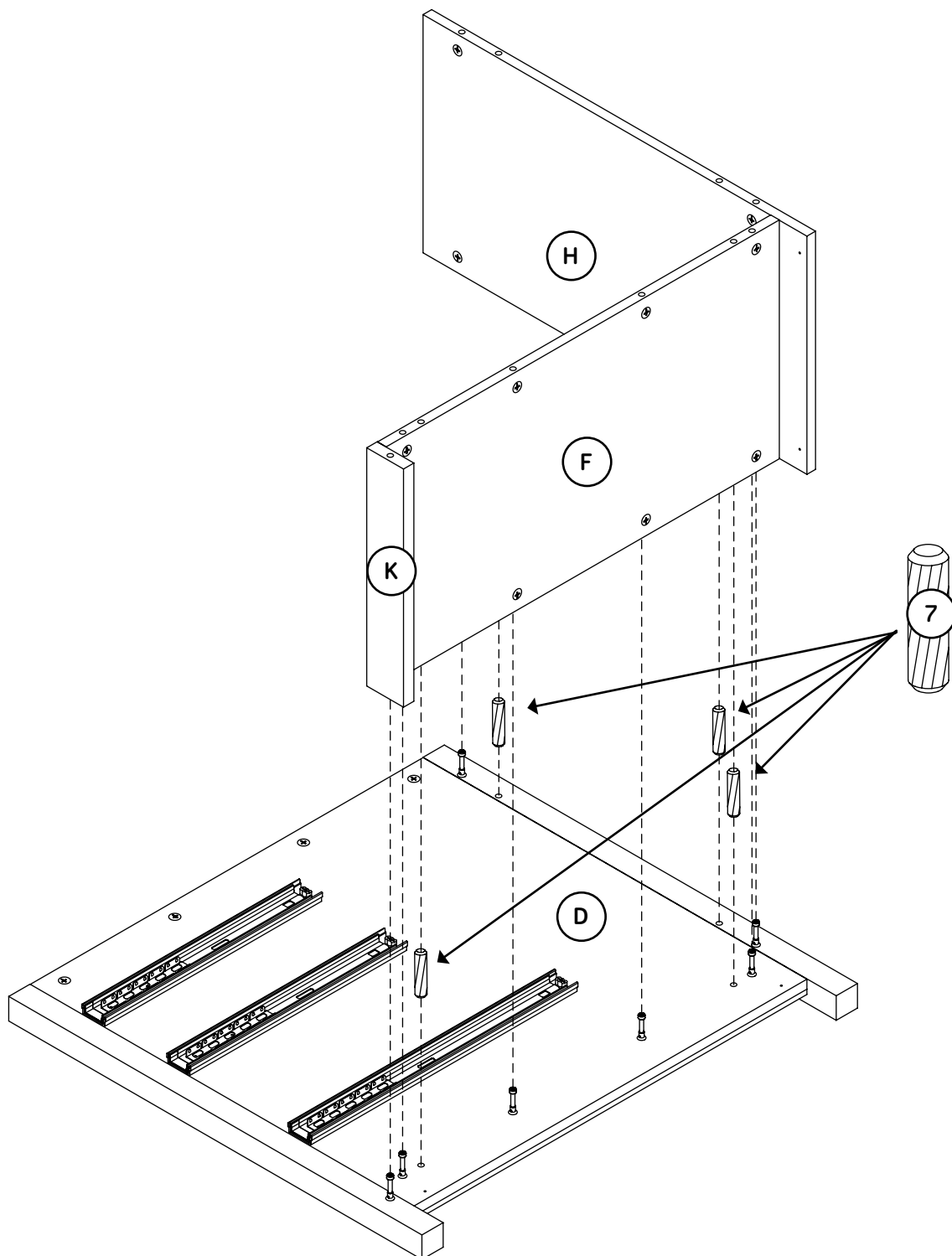
- Fasten the LARGE EXTENSION RAIL (3) to the RIGHT UPRIGHT (D). Use four 3/8" FLAT HEAD SCREWS (20).
- NOTE:** For each EXTENSION RAIL, turn a SCREW into the hole shown in the enlarged diagram. Then, slide the inner cartridge of the EXTENSION RAIL in to find the other holes that lines up with the holes in the RIGHT UPRIGHT. Turn a SCREW into these holes.
- NOTE:** The LARGE EXTENSION SLIDES will be used later for the LARGE DRAWERS.



Step 17



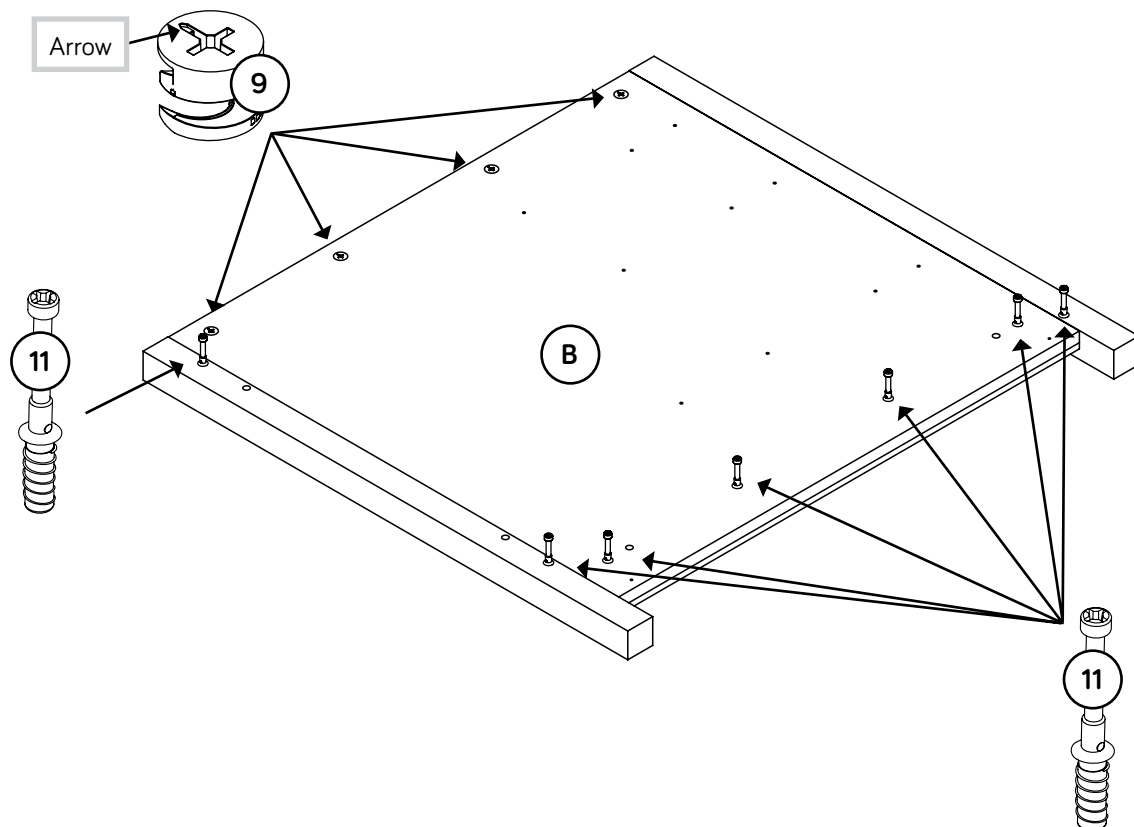
- ✚ Insert four LARGE WOOD DOWELS (7) into the RIGHT UPRIGHT (D).
- ✚ Fasten the BOTTOM (F), BACK (H) and BASE (K) to the RIGHT UPRIGHT (D). Tighten seven LARGE HIDDEN CAMS.
- ✚ NOTE: Be sure the WOOD DOWELS in the RIGHT UPRIGHT insert into the BACK and BOTTOM.



Step 18

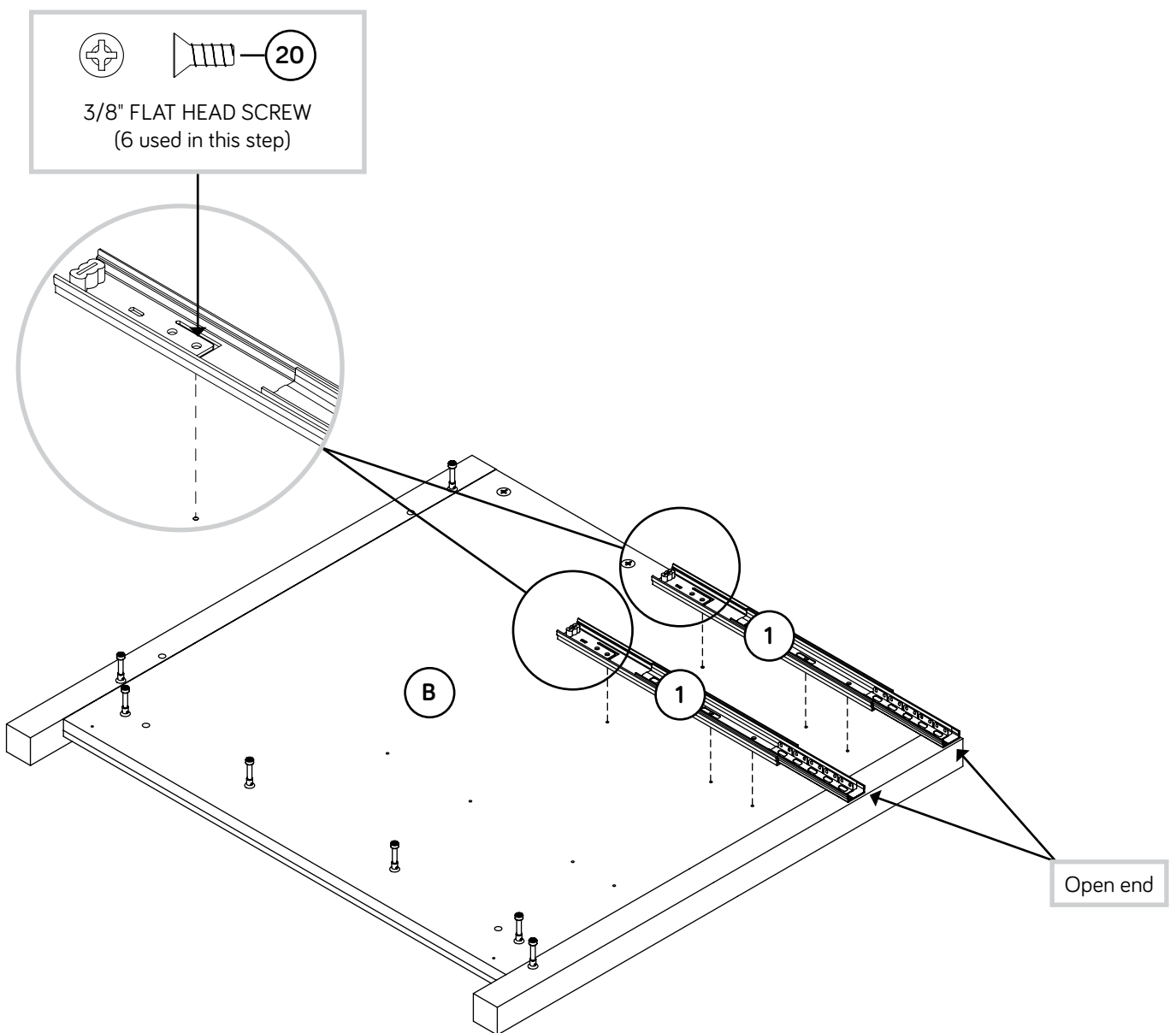


- ✚ Turn seven CAM SCREWS (11) into the RIGHT END (B).
- ✚ Push four LARGE HIDDEN CAMS (9) into the RIGHT END (B).



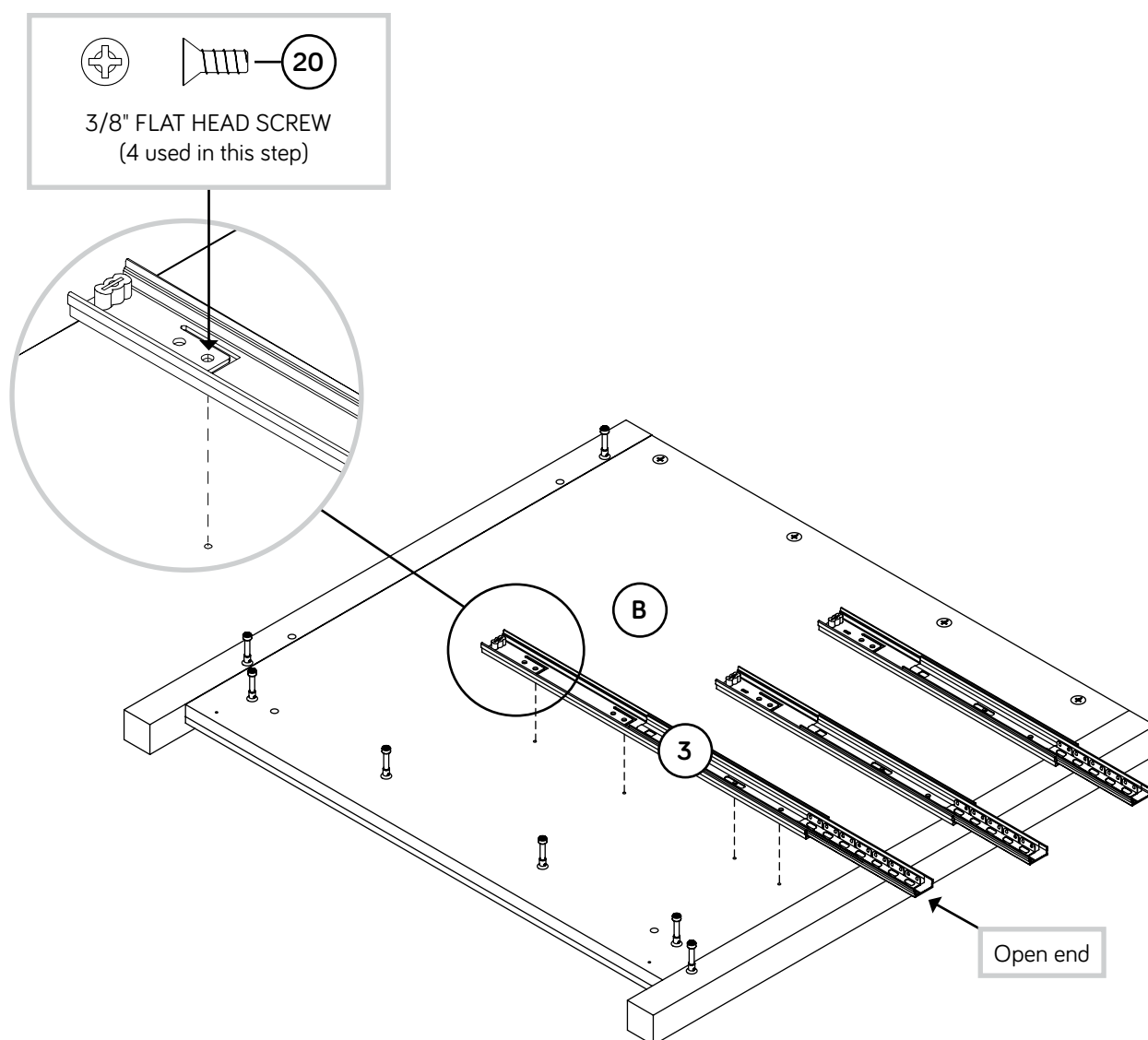
Step 19

- Fasten the SMALL EXTENSION RAILS (1) to the RIGHT END (B). Use six 3/8" FLAT HEAD SCREWS (20).
- NOTE:** For each EXTENSION RAIL, turn a SCREW into the hole shown in the enlarged diagram. Then, slide the inner cartridge of the EXTENSION RAIL in to find the other holes that lines up with the holes in the RIGHT END. Turn a SCREW into these holes.
- NOTE:** The SMALL EXTENSION SLIDES will be used later for the SMALL DRAWERS.



Step 20

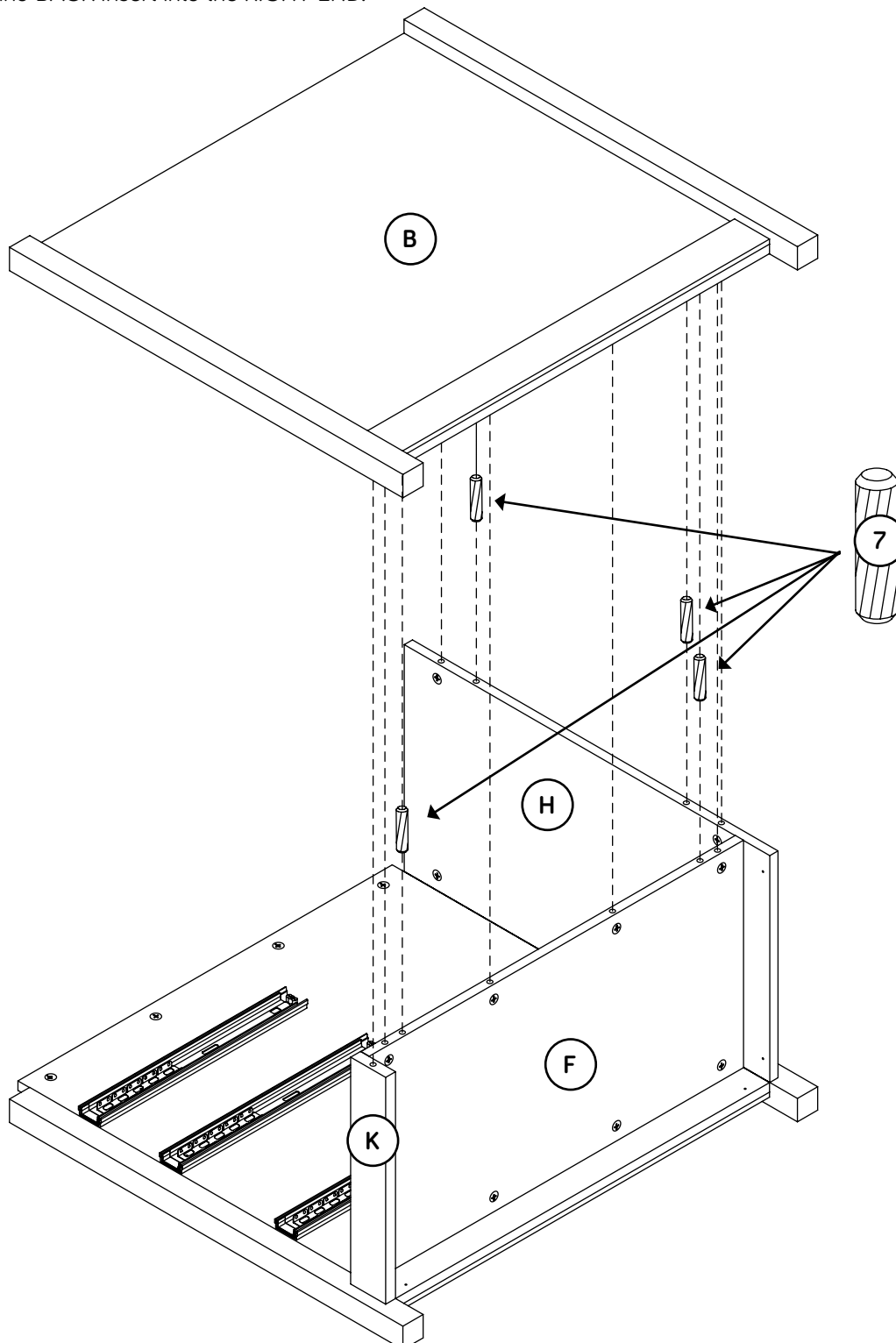
- Fasten the LARGE EXTENSION RAIL (3) to the RIGHT END (B). Use four 3/8" FLAT HEAD SCREWS (20).
- NOTE:** For each EXTENSION RAIL, turn a SCREW into the hole shown in the enlarged diagram. Then, slide the inner cartridge of the EXTENSION RAIL in to find the other holes that lines up with the holes in the RIGHT END. Turn a SCREW into these holes.
- NOTE:** The LARGE EXTENSION SLIDES will be used later for the LARGE DRAWERS.



Step 21

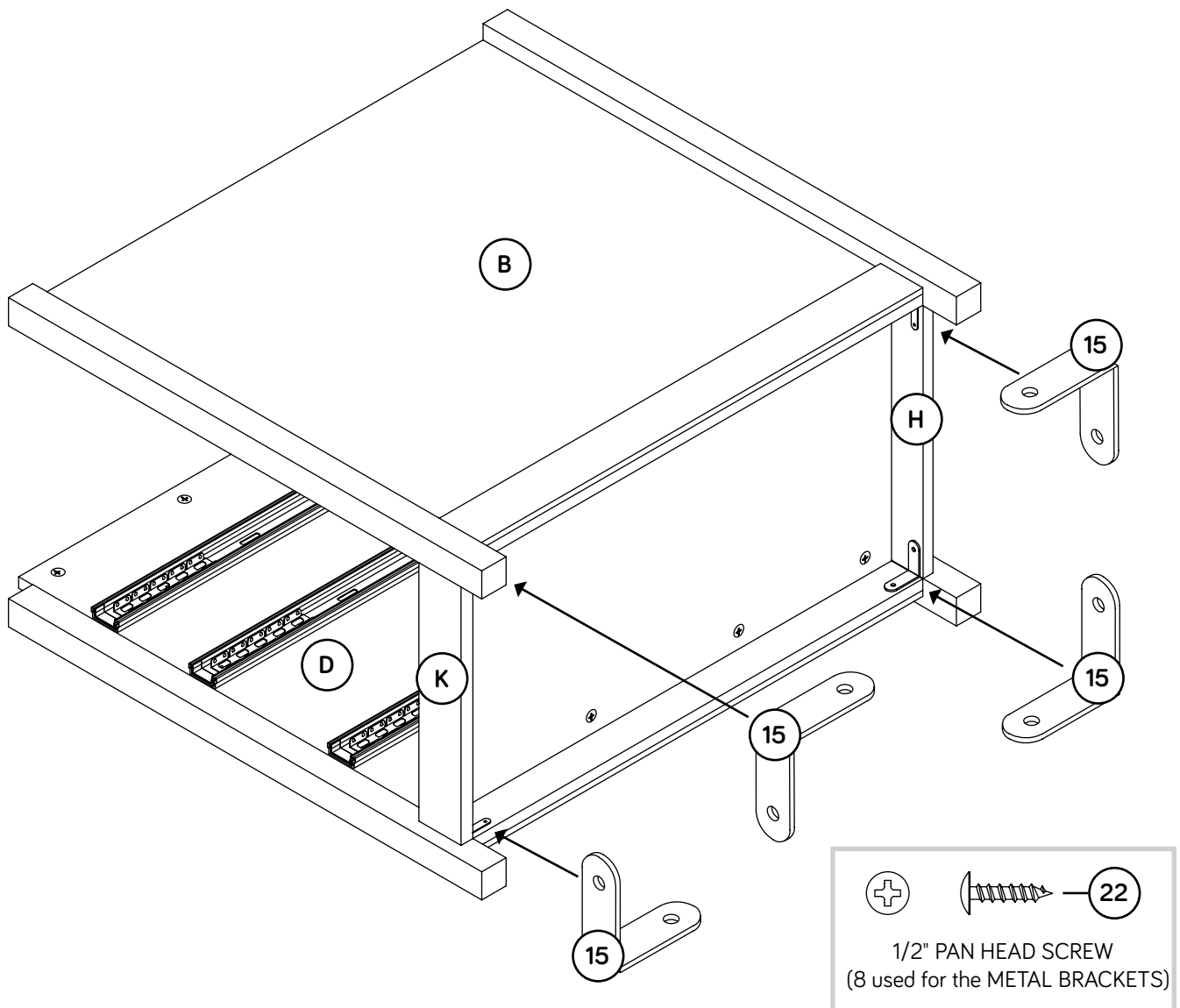


- ✚ Insert four LARGE WOOD DOWELS (7) into the BOTTOM (F) and BACK (H).
- ✚ Fasten RIGHT END (B) to the BOTTOM (F), BACK (H) and BASE (K). Tighten seven LARGE HIDDEN CAMS.
- ✚ NOTE: Be sure the LARGE WOOD DOWELS in the BOTTOM and BACK insert into the RIGHT END.



Step 22

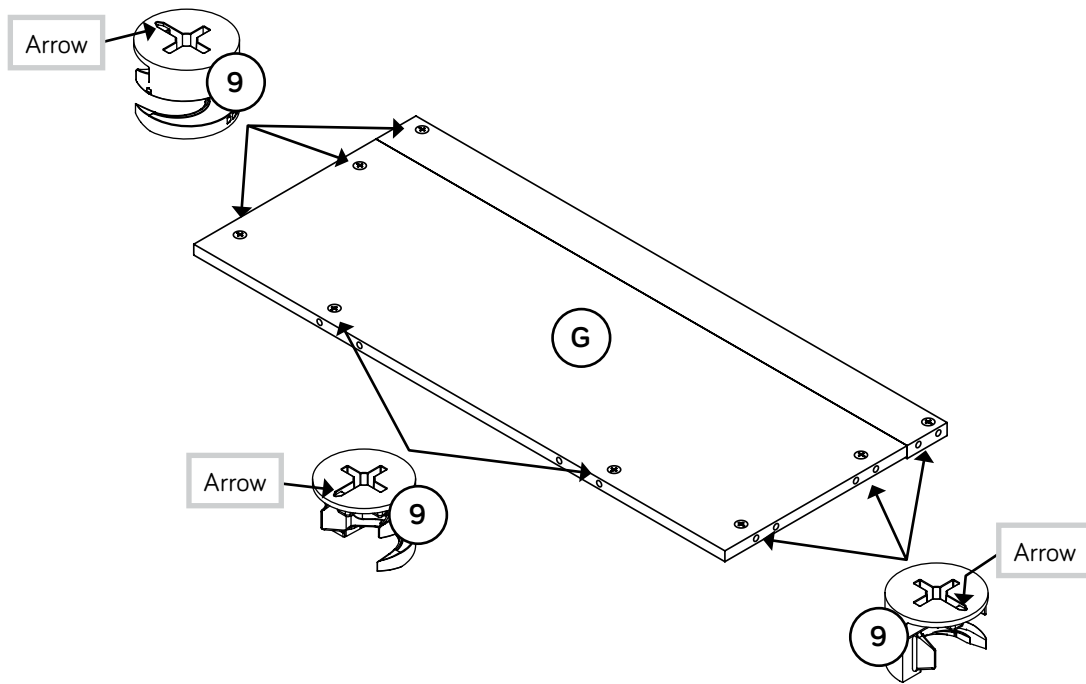
- Fasten four METAL BRACKETS (15) to the RIGHT END (B), RIGHT UPRIGHT (D), BACK (H), and BASE (K). Use eight 1/2" PAN HEAD SCREWS (22).



Step 23



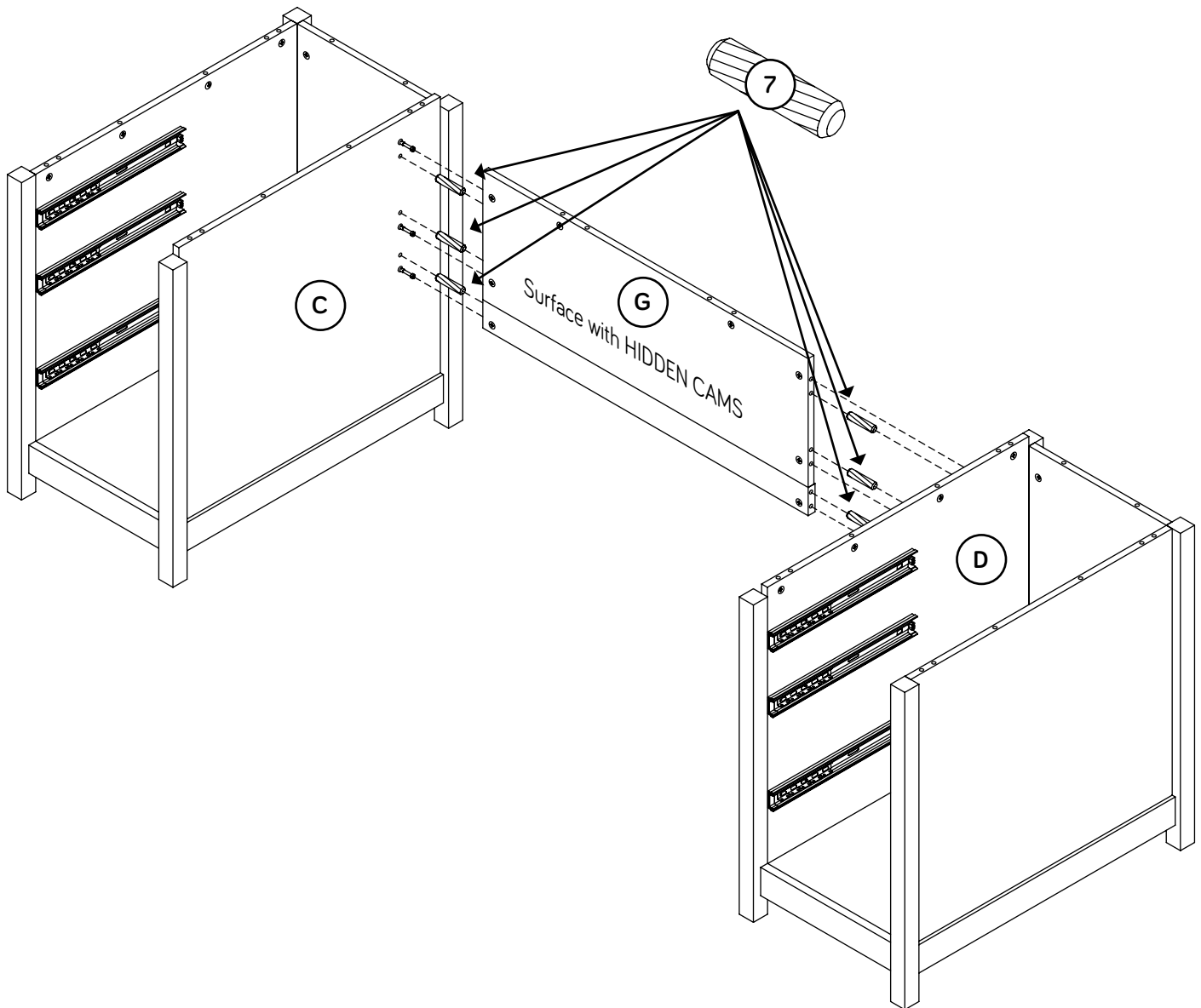
Push eight LARGE HIDDEN CAMS (9) into the MODESTY PANEL (G).



Step 24



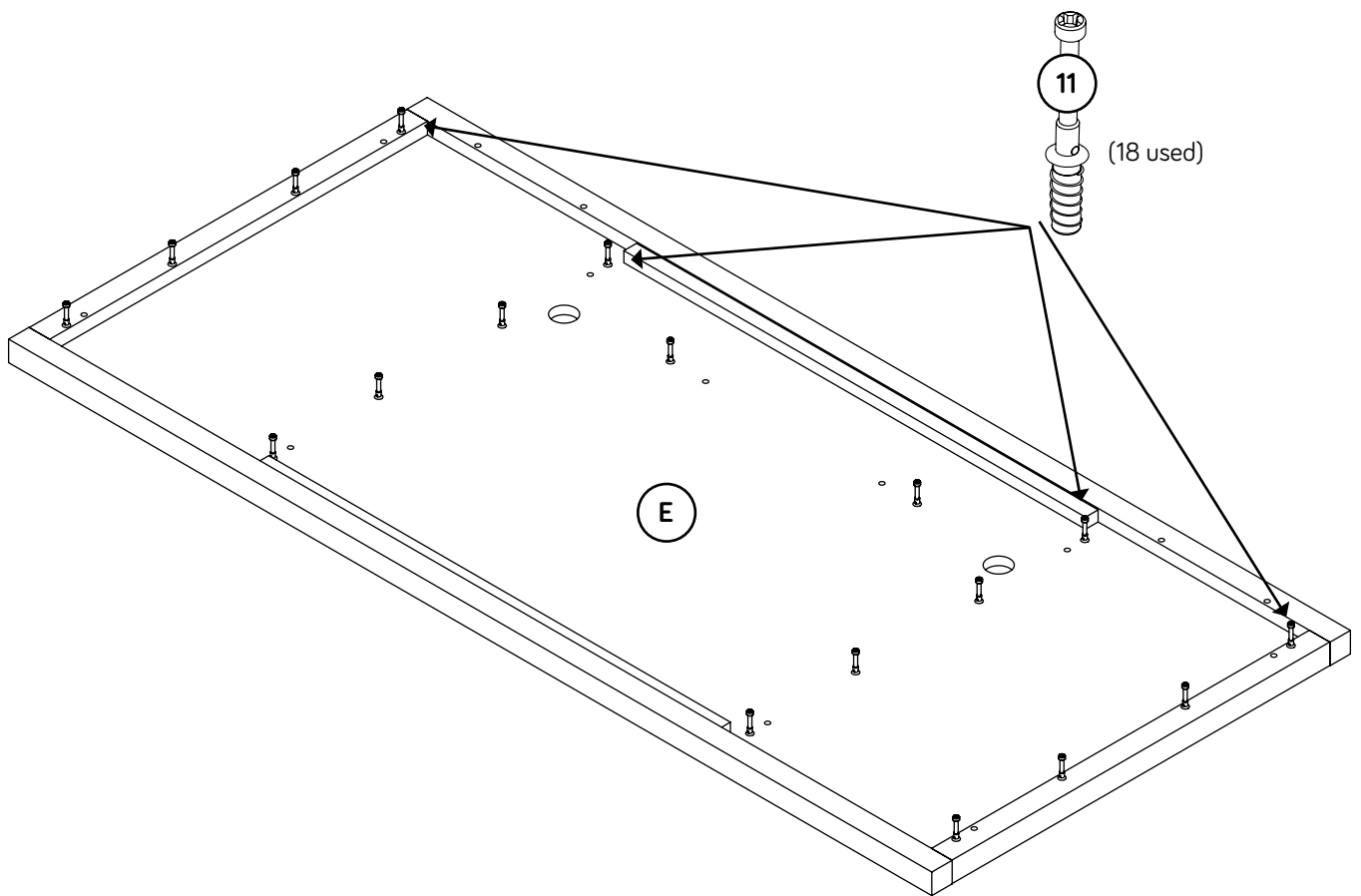
- ✦ Insert three LARGE WOOD DOWELS (7) into the LEFT UPRIGHT (C).
- ✦ Fasten the MODESTY PANEL (G) to the LEFT UPRIGHT (C). Tighten three LARGE HIDDEN CAMS.
- ✦ NOTE: Be sure the LARGE WOOD DOWELS in the LEFT UPRIGHT insert into the MODESTY PANEL.
- ✦ Insert three LARGE WOOD DOWELS (7) into the RIGHT UPRIGHT (D).
- ✦ Fasten the RIGHT UPRIGHT (D) to the MODESTY PANEL (G). Tighten three LARGE HIDDEN CAMS.
- ✦ NOTE: Be sure the LARGE WOOD DOWELS in the RIGHT UPRIGHT insert into the MODESTY PANEL.



Step 25



Turn eighteen CAM SCREWS (11) into the TOP (E).

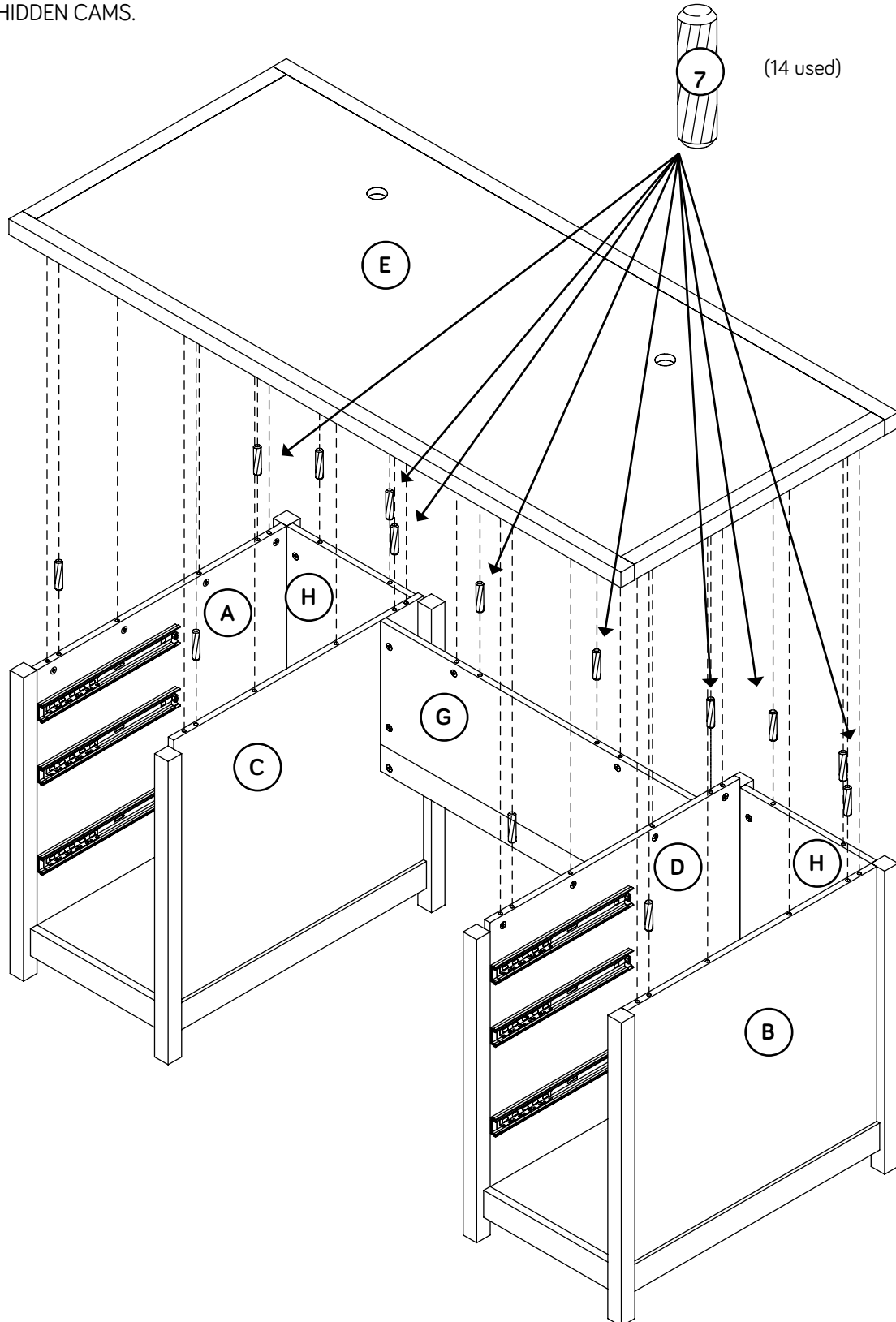


Step 26



- ✦ Insert fourteen LARGE WOOD DOWELS (7) into the ENDS (A and B), UPRIGHTS (C and D), MODESTY PANEL (G) and BACKS (H).
- ✦ Fasten the TOP to the ENDS (A and B), UPRIGHTS (C and D), MODESTY PANEL (G) and BACKS (H). Tighten eighteen LARGE HIDDEN CAMS.

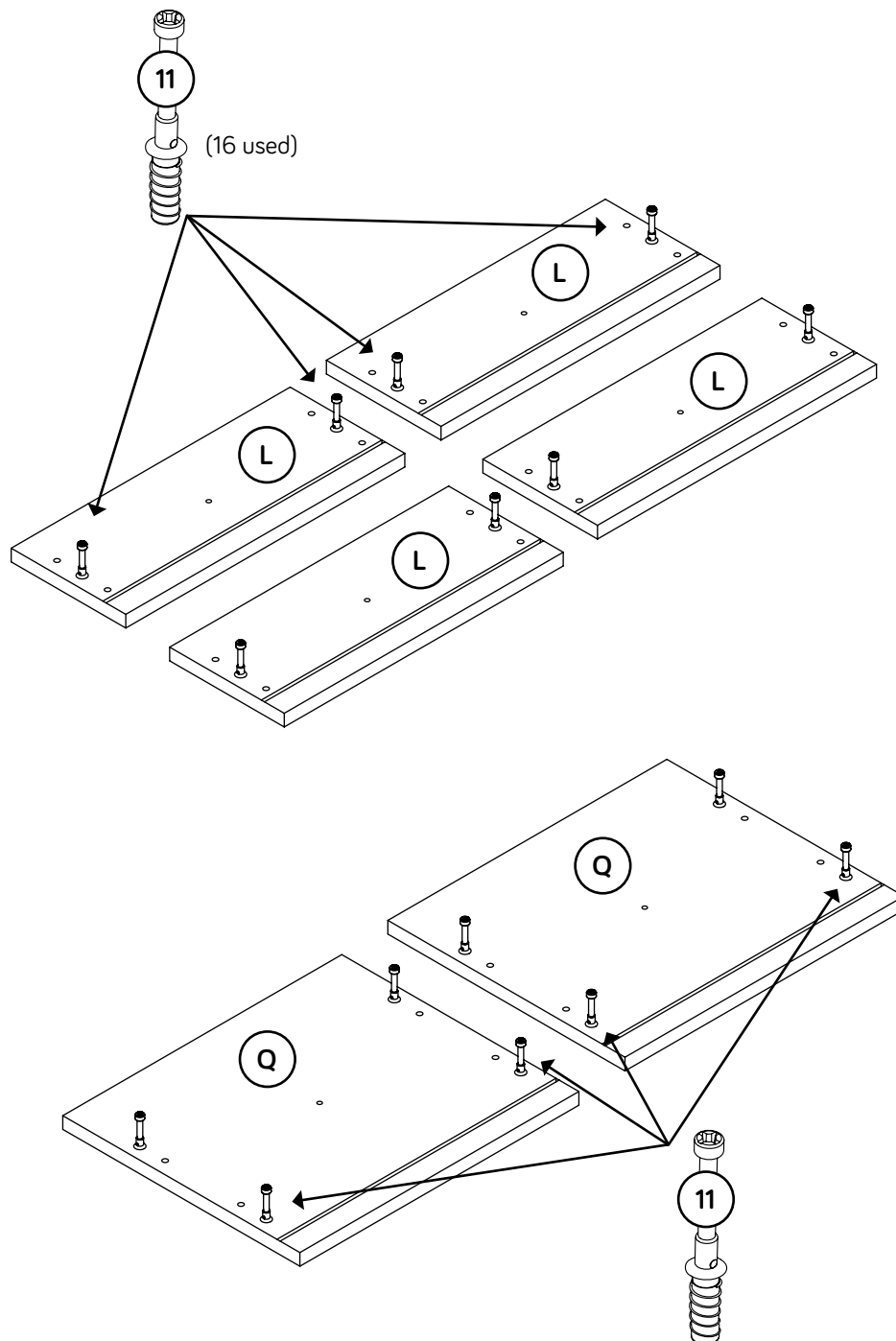
Caution



Step 27



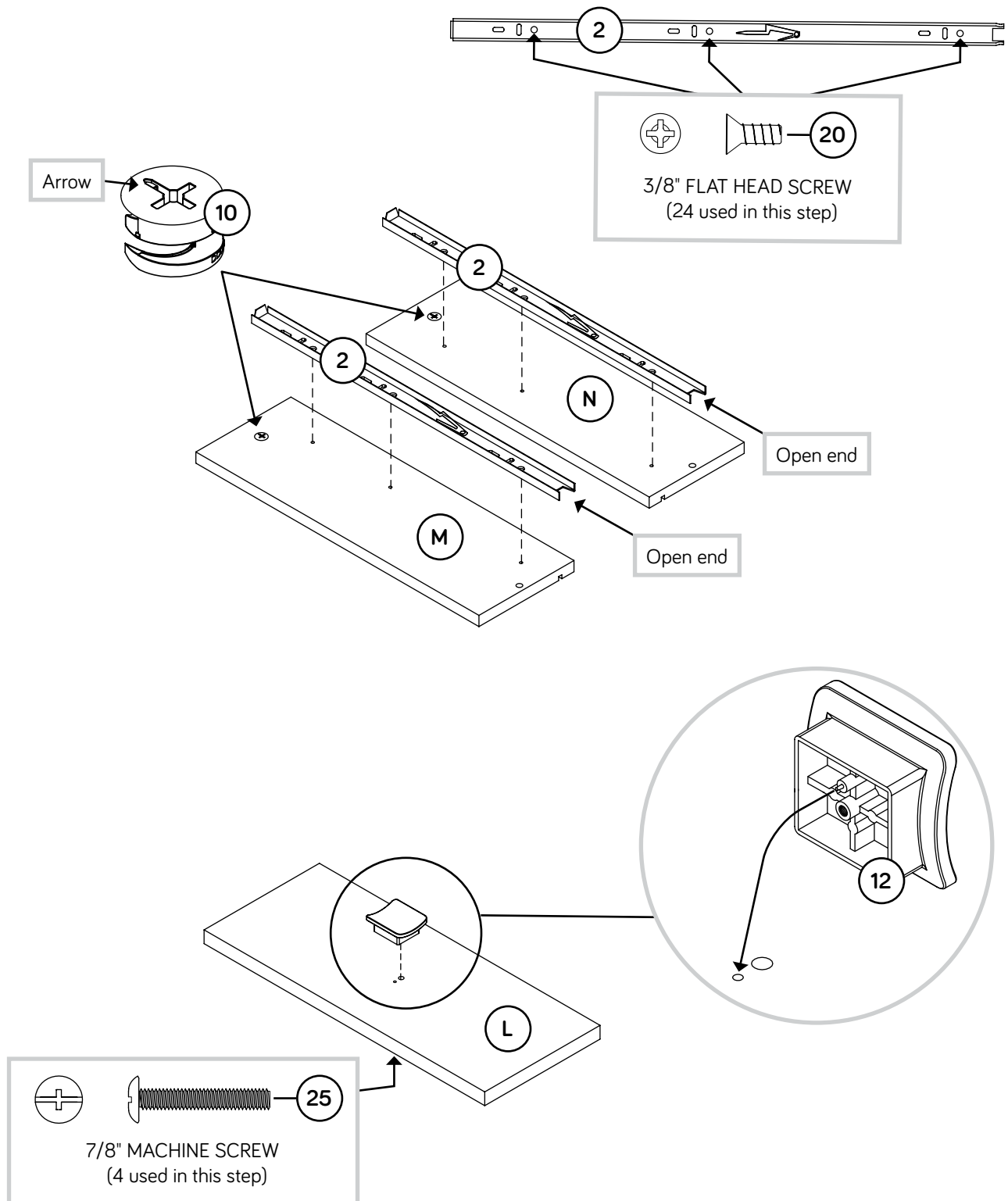
- Turn sixteen CAM SCREWS (11) into the SMALL DRAWER FRONTS (L) and LARGE DRAWER FRONTS (Q).



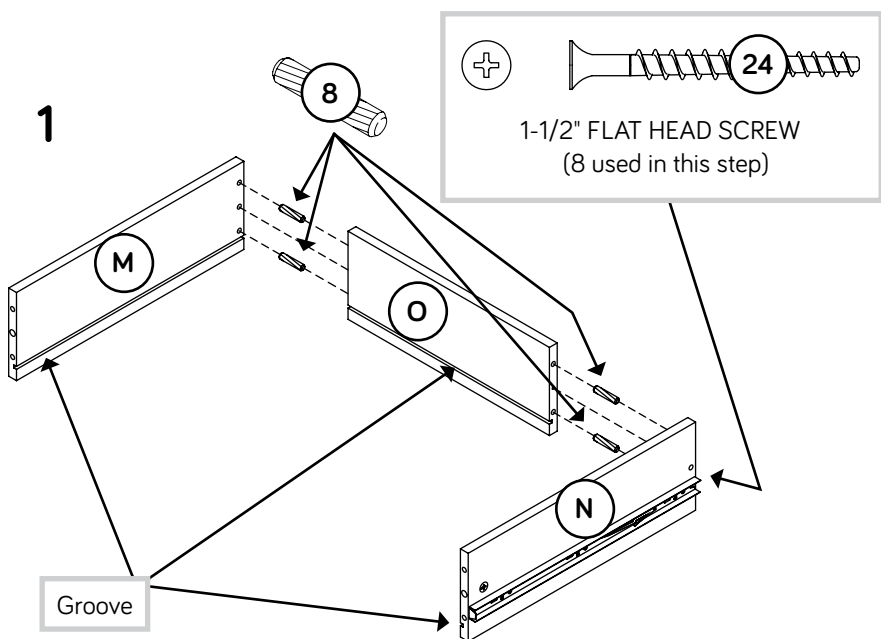
Step 28



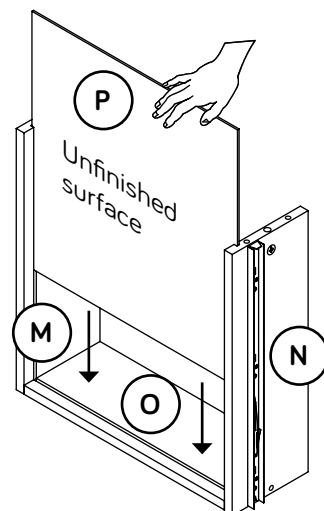
- Push a SMALL HIDDEN CAM (10) into one of each of the SMALL DRAWER SIDES (M and N).
- Fasten two SMALL EXTENSION SLIDES (2) to the SMALL DRAWER SIDES (M and N). Use six 3/8" FLAT HEAD SCREWS (20).
- Fasten a PULL (12) to a SMALL DRAWER FRONT (L) as shown in the enlarged diagram. Use a 7/8" MACHINE SCREW (25).
- Repeat this step for the remaining SMALL DRAWER SIDES (M and N) and SMALL DRAWER FRONTS (L).



Step 29



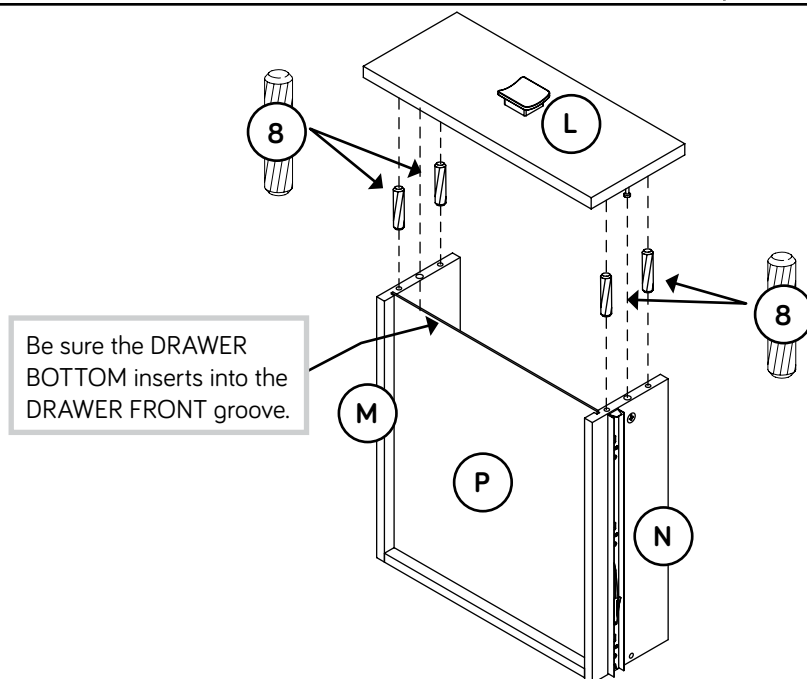
2



- ✦ Insert four SMALL WOOD DOWELS (8) into a SMALL DRAWER BACK (O).
- ✦ Fasten the SMALL DRAWER SIDES (M and N) to the SMALL DRAWER BACK (O). Use two 1-1/2" FLAT HEAD SCREWS (24).
- ✦ **NOTE:** Be sure the SMALL WOOD DOWELS in the SMALL DRAWER BACK insert into the SMALL DRAWER SIDES.

- ✦ Slide a SMALL DRAWER BOTTOM (P) into the grooves in the SMALL DRAWER SIDES (M and N) and SMALL DRAWER BACK (O).

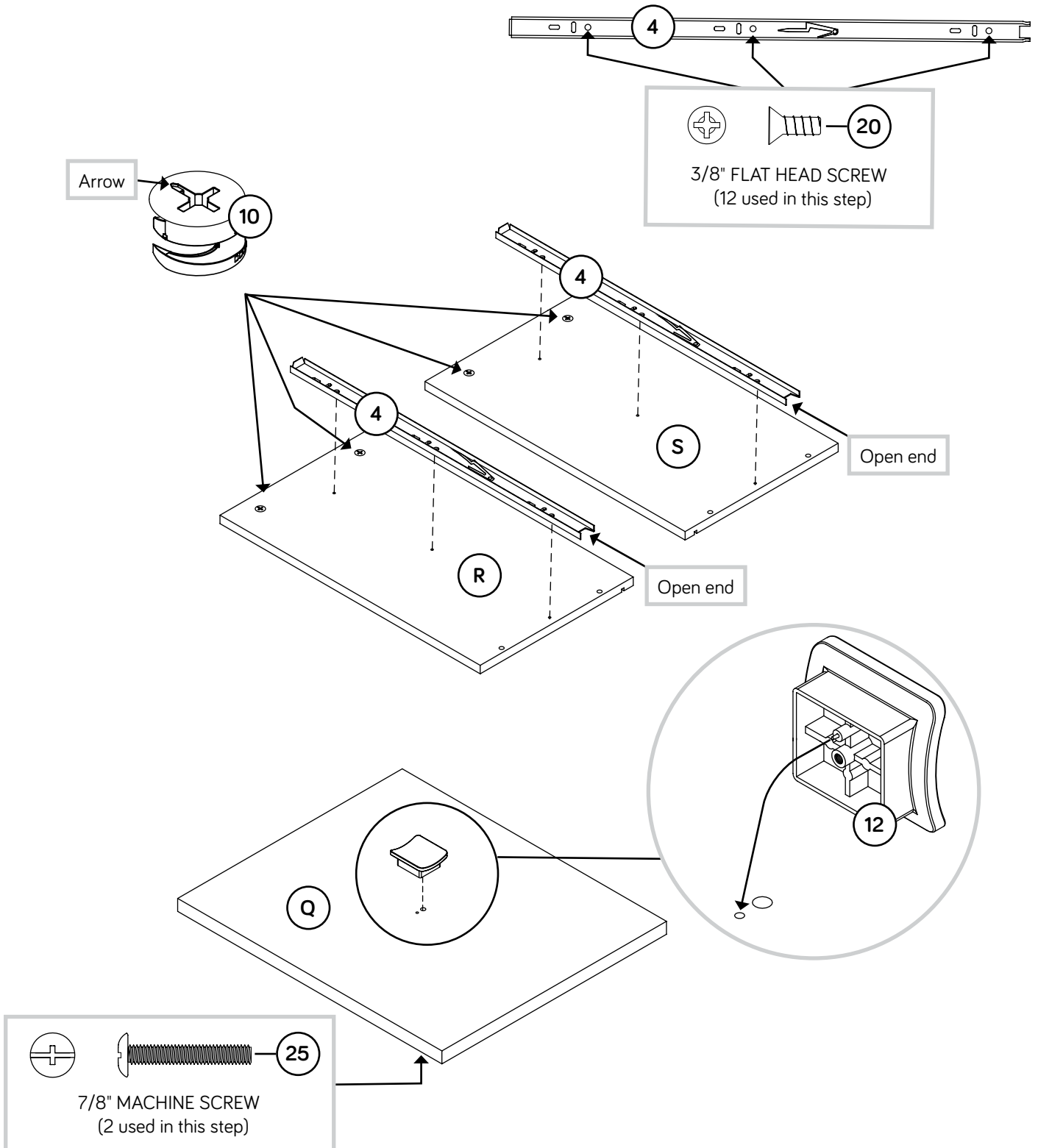
3



- ✦ Insert four SMALL WOOD DOWELS (8) into the SMALL DRAWER SIDES (M and N).
- ✦ Fasten the SMALL DRAWER FRONT (L) to the SMALL DRAWER SIDES (M and N). Tighten two SMALL HIDDEN CAMS.
- ✦ **NOTE:** Be sure the WOOD DOWELS in the SMALL DRAWER SIDES insert into the SMALL DRAWER FRONT.
- ✦ **NOTE:** Be sure the SMALL DRAWER BOTTOM (P) inserts into the groove of the SMALL DRAWER FRONT (L).
- ✦ Repeat this step for the other small drawers.

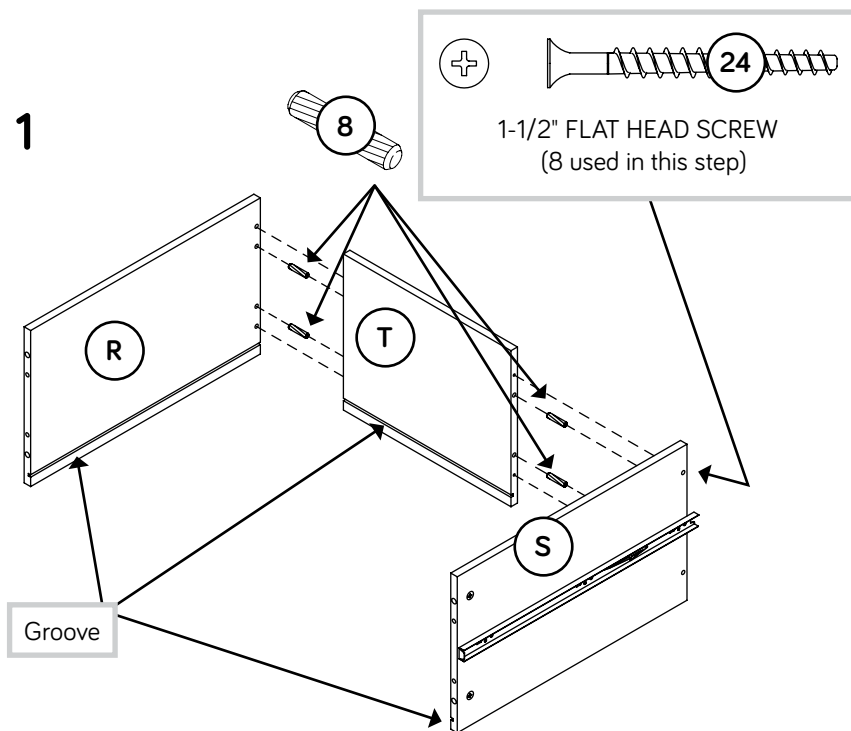
Step 30

- ✚ Push two SMALL HIDDEN CAMS (10) into one of each of the LARGE DRAWER SIDES (R and S).
- ✚ Fasten two LARGE EXTENSION SLIDES (4) to the LARGE DRAWER SIDES (R and S). Use six 3/8" FLAT HEAD SCREWS (20).
- ✚ Fasten a PULL (12) to a LARGE DRAWER FRONT (Q) as shown in the enlarged diagram. Use a 7/8" MACHINE SCREW (25).
- ✚ Repeat this step for the remaining LARGE DRAWER SIDES (R and S) and LARGE DRAWER FRONT (Q).



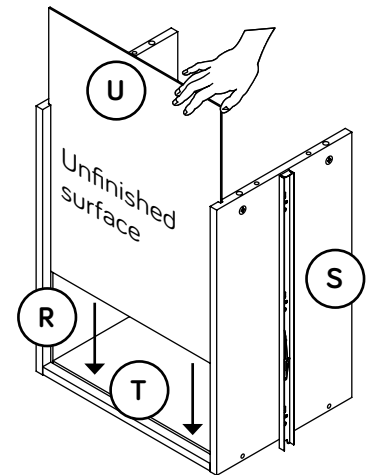
Step 31

1



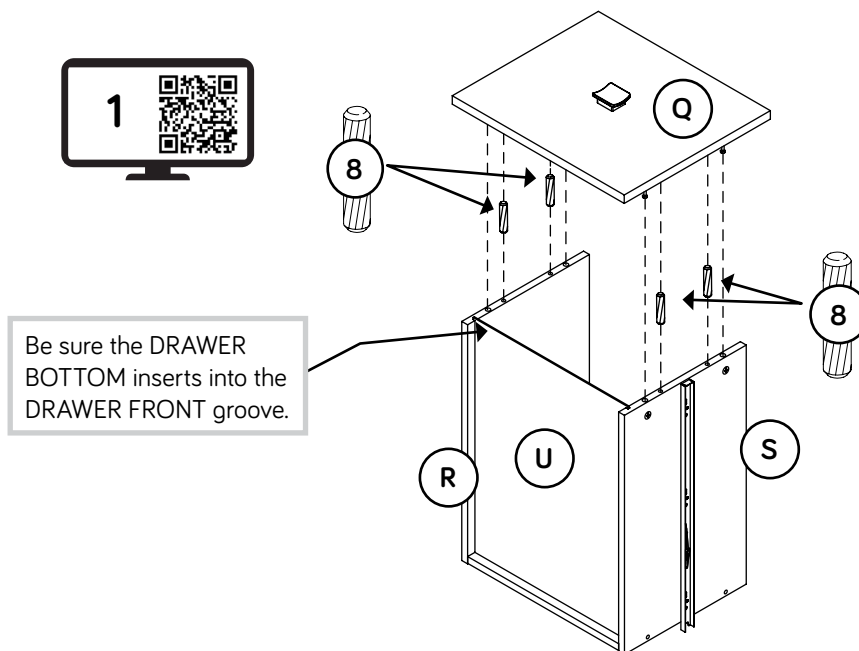
- ✚ Insert four SMALL WOOD DOWELS (8) into a LARGE DRAWER BACK (T).
- ✚ Fasten the LARGE DRAWER SIDES (R and S) to the LARGE DRAWER BACK (T). Use four 1-1/2" FLAT HEAD SCREWS (24).
- ✚ NOTE: Be sure the WOOD DOWELS in the SMALL DRAWER BACK insert into the SMALL DRAWER SIDES.

2



- ✚ Slide a LARGE DRAWER BOTTOM (U) into the grooves in the LARGE DRAWER SIDES (R and S) and LARGE DRAWER BACK (T).

3



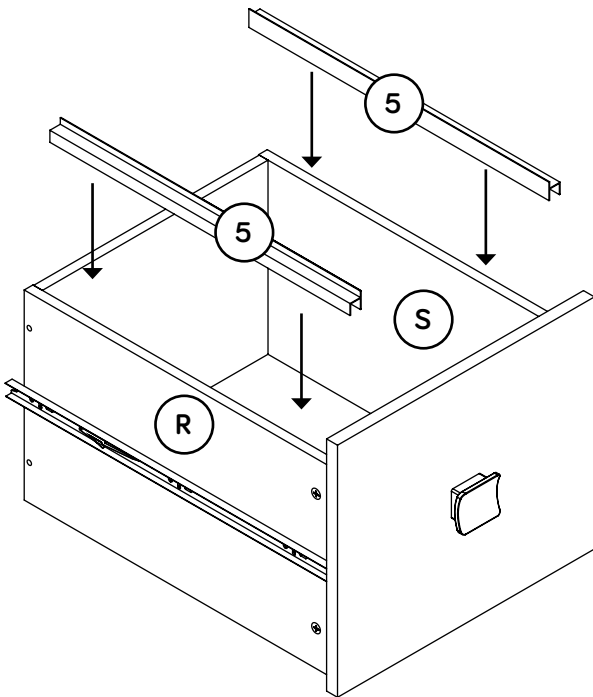
- ✚ Insert four SMALL WOOD DOWELS (8) into the LARGE DRAWER SIDES (R and S).
- ✚ Fasten a LARGE DRAWER FRONT (Q) to the LARGE DRAWER SIDES (R and S). Tighten four SMALL HIDDEN CAMS.
- ✚ NOTE: Be sure the SMALL WOOD DOWELS in the LARGE DRAWER SIDES insert into the LARGE DRAWER FRONT.
- ✚ NOTE: Be sure the LARGE DRAWER BOTTOM (U) inserts into the groove of the LARGE DRAWER FRONT (Q).
- ✚ Repeat this step for the other large drawer.

Step 32

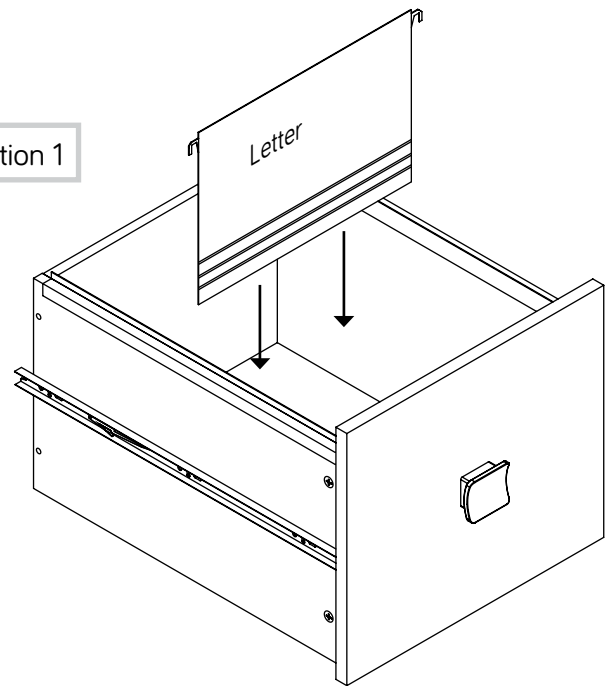
NOTE: The file drawer will hold both legal and letter size folders depending on how you place the FILE GLIDES (5) and HANGERS (6) in the drawer.

Option 1: Push the FILE GLIDES (5) onto the LARGE DRAWER SIDES (R and S). Hang your letter files on the FILE GLIDES (5).

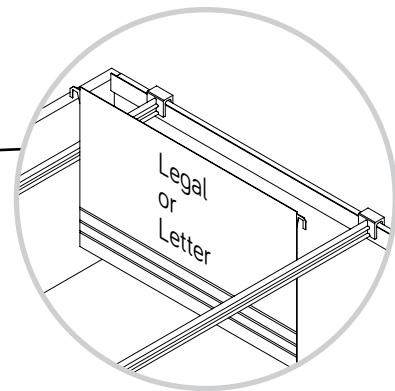
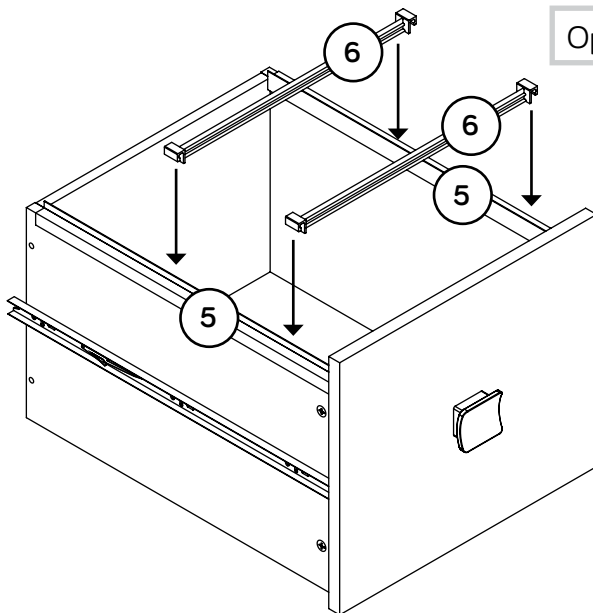
Option 2: Place the FILE HANGERS (6) onto the FILE GLIDES (5). Hang your legal or letter files on the FILE HANGERS (6).



Option 1

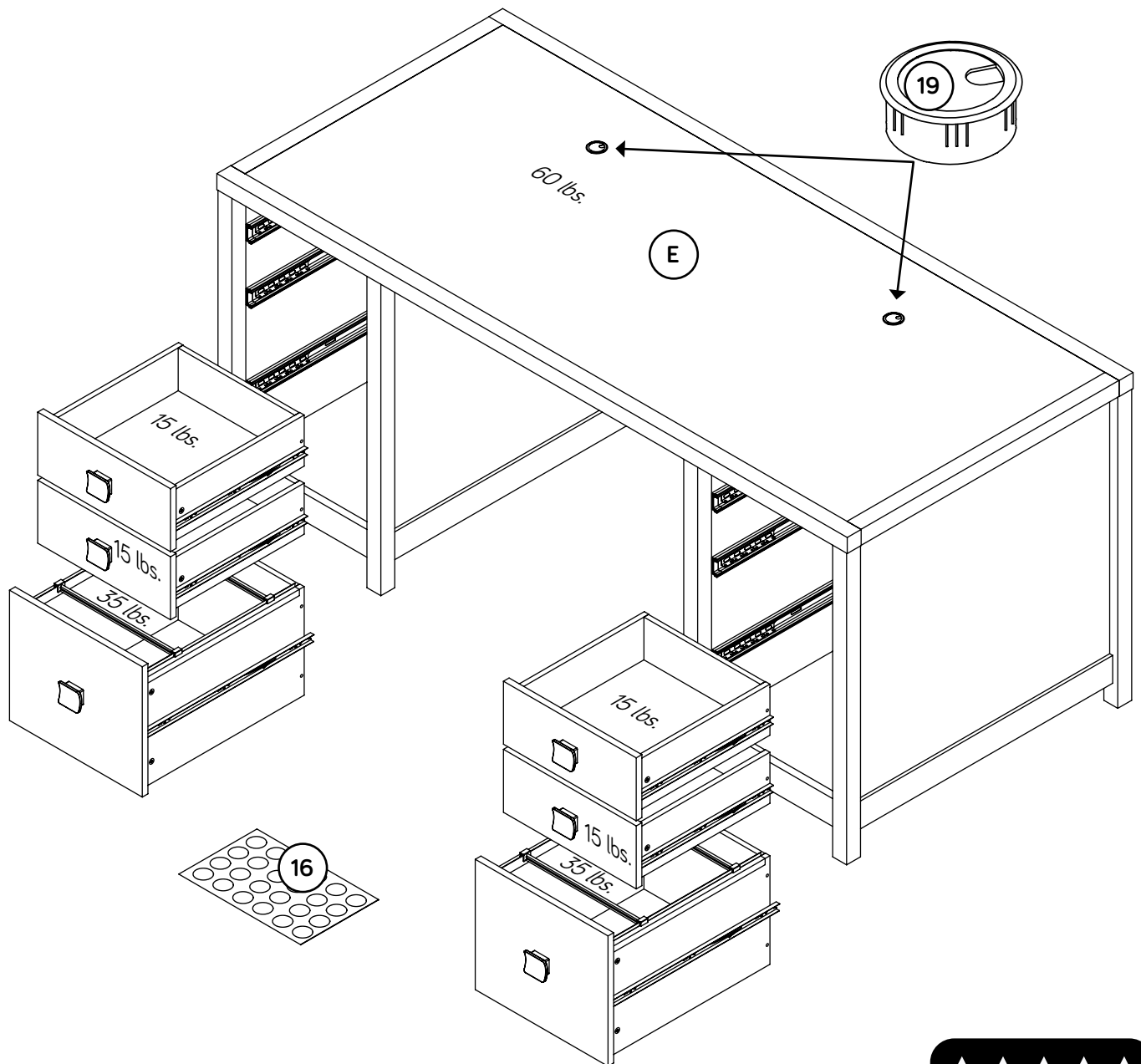


Option 2



Step 33

- ✦ Peel APPLIQUES from the APPLIQUE CARDS (16) and stick them onto each visible HIDDEN CAM.
- ✦ Insert the GROMMETS WITH CAPS (19) into the holes in the TOP (E).
- ✦ To insert a drawer into your unit, line up the EXTENSION SLIDES on the drawer with the EXTENSION RAILS on the unit and push the drawer into the unit until the drawer is fully inserted. The drawer will push in hard until it is all the way in, then it will slide in and out easier.
- ✦ NOTE: Please read the back pages of the instruction booklet for important safety information.
- ✦ This completes assembly. Clean with a damp cloth. Wipe dry.



Scan to rate and review
your piece at **Sauder.com**
Your opinion matters!



Utilisez les instructions d'assemblage en français avec les schémas étape par étape du manuel d'instruction en anglais. Chaque étape en français correspond à la même étape en anglais. Comparer la "Liste de pièces" ci-dessous avec la "PART IDENTIFICATION" du manuel en anglais pour vous familiariser avec les pièces avant l'assemblage.

REMARQUE : CE MANUEL D'INSTRUCTIONS CONTIENT D'IMPORTANTES INFORMATIONS RELATIVES À LA SÉCURITÉ. À LIRE ET CONSERVER POUR TOUTE RÉFÉRENCE FUTURE.

NOUS CONTACTER EN PREMIER

AVANT D'EFFECTUER TOUT RETOUR AU MAGASIN.

Nous faisons de notre mieux pour nous assurer que votre meuble arrive dans d'excellentes conditions. Nos représentants du service Clientèle sont aimables et prêts à vous aider au cas où une pièce aurait été endommagée ou manquerait (ou si vous aviez besoin d'aide pour l'assemblage). Appelez ou envoyez un SMS:

800.445.1527

Du lundi au vendredi, de 8:30 heures du matin à 5 heures du soir (horaire Côte Est) (sauf jours fériés)

Si une pièce a besoin d'être remplacée, la pièce de remplacement sera envoyée dans les 48 heures. (Sauf week-ends et jours fériés)

Noter la date d'achat de cet élément et conserver le livret pour future référence. Pour contacter Sauder en ce qui concerne cet élément, faire référence au numéro de lot et numéro de modèle en appelant notre numéro sans frais.

Lot n° : _____

Date de l'achat : _____

LISTE DE PIÈCES			LISTE DE PIÈCES		
REFERENCE	DESCRIPTION	QUANTITÉ	REFERENCE	DESCRIPTION	QUANTITÉ
A	EXTRÉMITÉ GAUCHE.....	1	(ENSEMBLE DE GLISSIÈRE ILLUSTRÉ À PART)		
B	EXTRÉMITÉ DROITE.....	1	1	PETITE GLISSIÈRE D'EXTENSION.....	8
C	MONTANT GAUCHE.....	1	2	PETITE COULISSE D'EXTENSION.....	8
D	MONTANT DROIT.....	1	3	GRANDE GLISSIÈRE D'EXTENSION.....	4
E	DESSUS.....	1	4	GRANDE COULISSE D'EXTENSION.....	4
F	DESSOUS.....	2	5	ARMATURE POUR DOSSIERS.....	4
G	VOILE DE FOND.....	1	6	SUPPORT POUR DOSSIERS.....	4
H	ARRIÈRE.....	2	7	GRANDE CHEVILLE EN BOIS.....	44
K	BASE.....	2	8	PETITE CHEVILLE EN BOIS.....	48
L	DEVANT DE PETIT TIROIR.....	4	9	GRANDE EXCENTRIQUE ESCAMOTABLE..	56
M	CÔTÉ GAUCHE DE PETIT TIROIR.....	4	10	PETITE EXCENTRIQUE ESCAMOTABLE..	16
N	CÔTÉ DROIT DE PETIT TIROIR.....	4	11	VIS D'EXCENTRIQUE.....	72
O	ARRIÈRE DE PETIT TIROIR.....	4	12	POIGNÉE.....	6
P	FOND DE PETIT TIROIR.....	4	15	CONSOLE EN MÉTAL.....	8
Q	DEVANT DE GRAND TIROIR.....	2	16	FICHE D'APPLIQUÉS.....	1
R	CÔTÉ GAUCHE DE GRAND TIROIR.....	2	19	PASSE-CÂBLES AVEC COUVERCLE.....	2
S	CÔTÉ DROIT DE GRAND TIROIR.....	2	20	VIS TÊTE PLATE 9,5 mm.....	76
T	ARRIÈRE DE GRAND TIROIR.....	2	22	VIS TÊTE GOUTTE DE SUIF 13 mm.....	16
U	FOND DE GRAND TIROIR.....	2	24	VIS TÊTE PLATE 38 mm.....	16
			25	VIS À MÉTAUX 22 mm.....	6

Guide d'utilisation de la visserie

UTILISATION DE LA EXCENTRIQUE ESCAMOTABLE ET DE LA VIS D'EXCENTRIQUE OU DE LA CHEVILLE D'EXCENTRIQUE

REMARQUE : Plusieurs VIS D'EXCENTRIQUE ou une CHEVILLE D'EXCENTRIQUE peut être utilisé.

1 Faire tourner la VIS D'EXCENTRIQUE ou taper doucement la CHEVILLE D'EXCENTRIQUE jusqu'à ce que l'épaulement repose sur la surface de la pièce.

2 Enfoncer un EXCENTRIQUE ESCAMOTABLE dans la partie. La flèche dans l'EXCENTRIQUE ESCAMOTABLE doit être dirigée vers le trou dans le chant de la planche.

3 Insérer la VIS D'EXCENTRIQUE ou la CHEVILLE D'EXCENTRIQUE dans l'EXCENTRIQUE ESCAMOTABLE. Serrer l'EXCENTRIQUE ESCAMOTABLE.

ÉTAPE 1

Assembler l'élément sur un sol à moquette ou sur le carton vide pour éviter d'endommager l'élément ou le sol.

Faire tourner sept VIS D'EXCENTRIQUE (11) dans l'EXTRÉMITÉ GAUCHE (A).

Enfoncer quatre EXCENTRIQUES ESCAMOTABLES (9) dans l'EXTRÉMITÉ GAUCHE (A).

ÉTAPE 2

Séparer les PETITES COULISSES D'EXTENSION (2) des PETITES GLISSIÈRES D'EXTENSION (1) comme l'indique le schéma ci-dessous supérieure. Faire attention car les pièces sont graissées.

Fixer deux GLISSIÈRES D'EXTENSION (1) à l'EXTRÉMITÉ GAUCHE (A). Utiliser six VIS TÊTE PLATE 9,5 mm (20).

REMARQUE : Pour chaque GLISSIÈRE D'EXTENSION, faire tourner une VIS dans le trou indiqué dans le schéma agrandi. Ensuite, enfiler la cartouche interne de la GLISSIÈRE D'EXTENSION vers l'intérieur pour trouver les autres trous qui sont alignés sur les trous dans l'EXTRÉMITÉ GAUCHE. Faire tourner une VIS dans ces trous.

REMARQUE : Les PETITES COULISSES D'EXTENSION seront utilisées ultérieurement pour les PETITS TIROIRS.

ÉTAPE 3

Séparer les GRANDES COULISSES D'EXTENSION (4) des GRANDES GLISSIÈRES D'EXTENSION (3) comme l'indique le schéma ci-dessous supérieure. Faire attention car les pièces sont graissées.

Fixer une GRANDE GLISSIÈRE D'EXTENSION (3) à l'EXTRÉMITÉ GAUCHE (A). Utiliser quatre VIS TÊTE PLATE 9,5 mm (20).

REMARQUE : Pour chaque GLISSIÈRE D'EXTENSION, faire tourner une VIS dans le trou indiqué dans le schéma agrandi. Ensuite, enfiler la cartouche interne de la GLISSIÈRE D'EXTENSION vers l'intérieur pour trouver les autres trous qui sont alignés sur les trous dans l'EXTRÉMITÉ GAUCHE. Faire tourner une VIS dans ces trous.

REMARQUE : Les GRANDES COULISSES D'EXTENSION seront utilisées ultérieurement pour les GRANDS TIROIRS.

ÉTAPE 4

Attention : Ne pas relever l'élément dans sa position verticale avant d'avoir fixé l'ARRIÈRE. L'élément risque de s'effondrer.

Enfoncer douze GRANDES EXCENTRIQUES ESCAMOTABLES (9) dans un DESSOUS (F) et une BASE (K).

Faire tourner deux VIS D'EXCENTRIQUE (11) dans la BASE (K).

Insérer deux GRANDES CHEVILLES EN BOIS (7) dans la BASE (K).

Fixer la BASE (K) au DESSOUS (F). Serrer deux GRANDES EXCENTRIQUES ESCAMOTABLES.

REMARQUE : S'assurer d'insérer les GRANDES CHEVILLES EN BOIS de la BASE dans le DESSOUS.

ÉTAPE 5

Enfoncer quatre GRANDES EXCENTRIQUES ESCAMOTABLES (9) dans l'ARRIÈRE (H).

Insérer deux GRANDES CHEVILLES EN BOIS (7) dans le bord du DESSOUS (F).

Appuyer l'ARRIÈRE (H) sur les GRANDES CHEVILLES EN BOIS (7) dans le DESSOUS (F).

ÉTAPE 6

Insérer quatre GRANDES CHEVILLES EN BOIS (7) dans l'EXTRÉMITÉ GAUCHE (A).

Fixer le DESSOUS (F), l'ARRIÈRE (H) et la BASE (K) à l'EXTRÉMITÉ GAUCHE (A). Serrer sept GRANDES EXCENTRIQUES ESCAMOTABLES.

REMARQUE : S'assurer de bien insérer les CHEVILLES EN BOIS de l'EXTRÉMITÉ GAUCHE dans l'ARRIÈRE et le DESSOUS.

ÉTAPE 7

Faire tourner trois VIS D'EXCENTRIQUE (11) dans le MONTANT GAUCHE (C).

Retourner le MONTANT GAUCHE (C) et insérer sept CHEVILLES D'EXCENTRIQUE (11) sur l'autre surface.

Enfoncer quatre GRANDES EXCENTRIQUES ESCAMOTABLES (9) dans le MONTANT GAUCHE (C).

ÉTAPE 8

Fixer les COURTES GLISSIÈRES D'EXTENSION (1) au MONTANT GAUCHE (C). Utiliser six VIS TÊTE PLATE 9,5 mm (20).

REMARQUE : Pour chaque GLISSIÈRE D'EXTENSION, faire tourner une VIS dans le trou indiqué dans le schéma agrandi. Ensuite, enfiler la cartouche interne de la GLISSIÈRE D'EXTENSION vers l'intérieur pour trouver les autres trous qui sont alignés sur les trous dans le MONTANT GAUCHE. Faire tourner une VIS dans ces trous.

REMARQUE : Les PETITES COULISSES D'EXTENSION seront utilisées ultérieurement pour les PETITS TIROIRS.

ÉTAPE 9

Fixer la GRANDE GLISSIÈRE D'EXTENSION (3) au MONTANT GAUCHE (C). Utiliser quatre VIS TÊTE PLATE 9,5 mm (20).

REMARQUE : Pour chaque GLISSIÈRE D'EXTENSION, faire tourner une VIS dans le trou indiqué dans le schéma agrandi. Ensuite, enfilez la cartouche interne de la GLISSIÈRE D'EXTENSION vers l'intérieur pour trouver les autres trous qui sont alignés sur les trous dans le MONTANT GAUCHE. Faire tourner une VIS dans ces trous.

REMARQUE : Les GRANDES COULISSES D'EXTENSION seront utilisées ultérieurement pour les GRANDS TIROIRS.

ÉTAPE 10

Insérer quatre GRANDES CHEVILLES EN BOIS (7) dans le DESSOUS (F) et l'ARRIÈRE (H).

Fixer le MONTANT GAUCHE (C) au DESSOUS (F), à l'ARRIÈRE (H) et à la BASE (K). Serrer sept GRANDES EXCENTRIQUES ESCAMOTABLES.

REMARQUE : S'assurer d'insérer les GRANDES CHEVILLES EN BOIS du DESSOUS et ARRIÈRE dans le MONTANT GAUCHE.

ÉTAPE 11

Fixer quatre CONSOLES EN MÉTAL (15) à l'EXTRÉMITÉ GAUCHE (A), au MONTANT GAUCHE (C), l'ARRIÈRE (H) et à la BASE (K). Utiliser huit VIS TÊTE GOUTTE DE SUIF 13 mm (22).

ÉTAPE 12

Enfoncer douze GRANDES EXCENTRIQUES ESCAMOTABLES (9) dans l'autre DESSOUS (F) et la BASE (K).

Faire tourner deux VIS D'EXCENTRIQUE (11) dans la BASE (K).

Insérer deux GRANDES CHEVILLES EN BOIS (7) dans la BASE (K).

Fixer la BASE (K) au DESSOUS (F). Serrer deux GRANDES EXCENTRIQUES ESCAMOTABLES.

REMARQUE : S'assurer d'insérer les CHEVILLES EN BOIS de la BASE dans le DESSOUS.

ÉTAPE 13

Enfoncer quatre GRANDES EXCENTRIQUES ESCAMOTABLES (9) dans l'autre ARRIÈRE (H).

Insérer deux GRANDES CHEVILLES EN BOIS (7) dans le bord du DESSOUS (F).

Appuyer l'ARRIÈRE (H) sur les GRANDES CHEVILLES EN BOIS (7) dans le DESSOUS (F).

ÉTAPE 14

Faire tourner trois VIS D'EXCENTRIQUE (11) dans le MONTANT DROIT (D).

Retourner le MONTANT DROIT (D) et insérer sept CHEVILLES D'EXCENTRIQUE (11) sur l'autre surface.

Enfoncer quatre GRANDES EXCENTRIQUES ESCAMOTABLES (9) dans le MONTANT DROIT (D).

ÉTAPE 15

Fixer les COURTES GLISSIÈRES D'EXTENSION (1) au MONTANT DROIT (D). Utiliser six VIS TÊTE PLATE 9,5 mm (20).

REMARQUE : Pour chaque GLISSIÈRE D'EXTENSION, faire tourner une VIS dans le trou indiqué dans le schéma agrandi. Ensuite, enfilez la cartouche interne de la GLISSIÈRE D'EXTENSION vers l'intérieur pour trouver les autres trous qui sont alignés sur les trous dans le MONTANT DROIT. Faire tourner une VIS dans ces trous.

REMARQUE : Les PETITES COULISSES D'EXTENSION seront utilisées ultérieurement pour les PETITS TIROIRS.

ÉTAPE 16

Fixer la GRANDE GLISSIÈRE D'EXTENSION (3) au MONTANT DROIT (D). Utiliser quatre VIS TÊTE PLATE 9,5 mm (20).

REMARQUE : Pour chaque GLISSIÈRE D'EXTENSION, faire tourner une VIS dans le trou indiqué dans le schéma agrandi. Ensuite, enfilez la cartouche interne de la GLISSIÈRE D'EXTENSION vers l'intérieur pour trouver les autres trous qui sont alignés sur les trous dans le MONTANT DROIT. Faire tourner une VIS dans ces trous.

REMARQUE : Les GRANDES COULISSES D'EXTENSION seront utilisées ultérieurement pour les GRANDS TIROIRS.

ÉTAPE 17

Insérer quatre GRANDES CHEVILLES EN BOIS (7) dans le MONTANT DROIT (D).

Fixer le DESSOUS (F), l'ARRIÈRE (H) et la BASE (K) au MONTANT DROIT (D). Serrer sept GRANDES EXCENTRIQUES ESCAMOTABLES.

REMARQUE : S'assurer de bien insérer les CHEVILLES EN BOIS du MONTANT DROIT dans l'ARRIÈRE et le DESSOUS.

ÉTAPE 18

Faire tourner sept VIS D'EXCENTRIQUE (11) dans l'EXTRÉMITÉ DROITE (B).

Enfoncer quatre GRANDES EXCENTRIQUES ESCAMOTABLES (9) dans l'EXTRÉMITÉ DROITE (B).

ÉTAPE 19

Fixer les COURTES GLISSIÈRES D'EXTENSION (1) à l'EXTRÉMITÉ DROITE (B). Utiliser six VIS TÊTE PLATE 9,5 mm (20).

REMARQUE : Pour chaque GLISSIÈRE D'EXTENSION, faire tourner une VIS dans le trou indiqué dans le schéma agrandi. Ensuite, enfiler la cartouche interne de la GLISSIÈRE D'EXTENSION vers l'intérieur pour trouver les autres trous qui sont alignés sur les trous dans l'EXTRÉMITÉ DROITE. Faire tourner une VIS dans ces trous.

REMARQUE : Les PETITES COULISSES D'EXTENSION seront utilisées ultérieurement pour les PETITS TIROIRS.

ÉTAPE 20

Fixer la GRANDE GLISSIÈRE D'EXTENSION (3) à l'EXTRÉMITÉ DROITE (B). Utiliser quatre VIS TÊTE PLATE 9,5 mm (20).

REMARQUE : Pour chaque GLISSIÈRE D'EXTENSION, faire tourner une VIS dans le trou indiqué dans le schéma agrandi. Ensuite, enfiler la cartouche interne de la GLISSIÈRE D'EXTENSION vers l'intérieur pour trouver les autres trous qui sont alignés sur les trous dans l'EXTRÉMITÉ DROITE. Faire tourner une VIS dans ces trous.

REMARQUE : Les GRANDES COULISSES D'EXTENSION seront utilisées ultérieurement pour les GRANDS TIROIRS.

ÉTAPE 21

Insérer quatre GRANDES CHEVILLES EN BOIS (7) dans le DESSOUS (F) et l'ARRIÈRE (H).

Fixer EXTRÉMITÉ DROITE (B) au DESSOUS (F), à l'ARRIÈRE (H) et à la BASE (K). Serrer sept GRANDES EXCENTRIQUES ESCAMOTABLES.

REMARQUE : S'assurer d'insérer les GRANDES CHEVILLES EN BOIS du DESSOUS et ARRIÈRE dans l'EXTRÉMITÉ DROITE.

ÉTAPE 22

Fixer quatre CONSOLES EN MÉTAL (15) à l'EXTRÉMITÉ DROITE (B), au MONTANT DROIT (D), l'ARRIÈRE (H) et à la BASE (K). Utiliser huit VIS TÊTE GOUTTE DE SUIF 13 mm (22).

ÉTAPE 23

Enfoncer huit GRANDES EXCENTRIQUES ESCAMOTABLES (9) dans le VOILE DE FOND (G).

ÉTAPE 24

Insérer trois GRANDES CHEVILLES EN BOIS (7) dans le MONTANT GAUCHE (C).

Fixer le VOILE DE FOND (G) au MONTANT GAUCHE (C). Serrer trois GRANDES EXCENTRIQUES ESCAMOTABLES.

REMARQUE : S'assurer d'insérer les GRANDES CHEVILLES EN BOIS du MONTANT GAUCHE dans le VOILE DE FOND.

Insérer trois GRANDES CHEVILLES EN BOIS (7) dans le MONTANT DROIT (D).

Fixer le MONTANT DROIT (D) au VOILE DE FOND (G). Serrer trois GRANDES EXCENTRIQUES ESCAMOTABLES.

REMARQUE : S'assurer d'insérer les GRANDES CHEVILLES EN BOIS du MONTANT DROIT dans le VOILE DE FOND.

ÉTAPE 25

Faire tourner dix-huit VIS D'EXCENTRIQUE (11) dans le DESSUS (E).

ÉTAPE 26

Insérer quatorze GRANDES CHEVILLES EN BOIS (7) dans les EXTRÉMITÉS (A et B), les MONTANTS (C et D), le VOILE DE FOND (G) et les ARRIÈRES (H).

Fixer le DESSUS aux EXTRÉMITÉS (A et B), aux MONTANTS (C et D) au VOILE DE FOND (G) et aux ARRIÈRES (H). Serrer dix-huit GRANDES EXCENTRIQUES ESCAMOTABLES.

ÉTAPE 27

Serrer seize CHEVILLES D'EXCENTRIQUE (11) dans les DEVANTS DE PETIT TIROIR (L) et les DEVANTS DE GRAND TIROIR (Q).

ÉTAPE 28

Enfoncer une PETITE EXCENTRIQUE ESCAMOTABLE (10) dans l'un des CÔTÉS DE PETIT TIROIR (M et N).

Fixer deux PETITES COULISSES D'EXTENSION (2) aux CÔTÉS DE PETIT TIROIR (M et N). Utiliser six VIS TÊTE PLATE 9,5 mm (20).

Fixer une POIGNÉE (12) au DEVANT DE PETIT TIROIR (L) comme l'indique le schéma agrandi. Utiliser une VIS À MÉTAUX 22 mm (25).

Répéter cette étape pour les autres CÔTÉS DE PETIT TIROIR (M et N) et les DEVANTS DE PETIT TIROIR (L).

ÉTAPE 29

1. Insérer quatre PETITES CHEVILLES EN BOIS (8) dans l'ARRIÈRE DE PETIT TIROIR (O).

Fixer les CÔTÉS DE PETIT TIROIR (M et N) sur l'ARRIÈRE DE PETIT TIROIR (O). Utiliser deux VIS TÊTE PLATE 38 mm (24).

REMARQUE : S'assurer d'insérer les PETITES CHEVILLES EN BOIS dans l'ARRIÈRE DE PETIT TIROIR dans les CÔTÉS DE PETIT TIROIR.

2. Enfiler un FOND DE PETIT TIROIR (P) dans les rainures des CÔTÉS DE PETIT TIROIR (M et N) et l'ARRIÈRE DE PETIT TIROIR (O).

3. Insérer quatre PETITES CHEVILLES EN BOIS (8) dans les CÔTÉS DE PETIT TIROIR (M et N).

Fixer le DEVANT DE PETIT TIROIR (L) aux CÔTÉS DE PETIT TIROIR (M et N). Serrer deux PETITES EXCENTRIQUES ESCAMOTABLES.

REMARQUE : S'assurer d'insérer les CHEVILLES EN BOIS des CÔTÉS DE PETIT TIROIR dans le DEVANT DE PETIT TIROIR.

REMARQUE : S'assurer que le FOND DE PETIT TIROIR (P) s'encastre dans la rainure du DEVANT DE PETIT TIROIR (L).

Répéter cette étape pour l'autre petit tiroir.

ÉTAPE 30

Enfoncer deux PETITES EXCENTRIQUES ESCAMOTABLES (10) dans l'un des CÔTÉS DE GRAND TIROIR (R et S).

Fixer deux GRANDES COULISSES D'EXTENSION (4) aux CÔTÉS DE GRAND TIROIR (R et S). Utiliser six VIS TÊTE PLATE 9,5 mm (20).

Fixer une POIGNÉE (12) au DEVANT DE GRAND TIROIR (Q) comme l'indique le schéma agrandi. Utiliser une VIS À MÉTAUX 22 mm (25).

Répéter cette étape pour les autres CÔTÉS DE GRAND TIROIR (R et S) et le DEVANT DE GRAND TIROIR (Q).

ÉTAPE 31

1. Insérer quatre PETITES CHEVILLES EN BOIS (8) dans l'ARRIÈRE DE GRAND TIROIR (T).

Fixer les CÔTÉS DE GRAND TIROIR (R et S) à l'ARRIÈRE DE GRAND TIROIR (T). Utiliser quatre VIS TÊTE PLATE 38 mm (24).

REMARQUE : S'assurer d'insérer les CHEVILLES EN BOIS de l'ARRIÈRE DE PETIT TIROIR dans les CÔTÉS DE PETIT TIROIR.

2. Enfiler un FOND DE GRAND TIROIR (U) dans les rainures des CÔTÉS DE GRAND TIROIR (R et S) et de l'ARRIÈRE DE GRAND TIROIR (T).

3. Insérer quatre PETITES CHEVILLES EN BOIS (8) dans les CÔTÉS DE GRAND TIROIR (R et S).

Fixer le DEVANT DE GRAND TIROIR (Q) aux CÔTÉS DE GRAND TIROIR (R et S). Serrer quatre PETITES EXCENTRIQUES ESCAMOTABLES.

REMARQUE : S'assurer d'insérer les PETITES CHEVILLES EN BOIS des CÔTÉS DE GRAND TIROIR dans le DEVANT DE GRAND TIROIR.

REMARQUE : S'assurer que le FOND DE GRAND TIROIR (U) s'encastre dans la rainure du DEVANT DE GRAND TIROIR (Q).

Répéter cette étape pour l'autre grand tiroir.

ÉTAPE 32

REMARQUE : Le tiroir pour dossiers peut contenir des dossiers de formats légal et lettre selon l'enclenchement des ARMATURES POUR DOSSIERS et SUPPORTS dans le tiroir.

Option 1 : Enfiler les ARMATURES POUR DOSSIERS (5) sur les CÔTÉS DE GRAND TIROIR (R et S). Suspendre vos dossiers de taille lettre sur les ARMATURES POUR DOSSIERS (5).

Option 2 : Enfoncer les SUPPORTS POUR DOSSIERS (6) sur les ARMATURES POUR DOSSIERS (5). Suspendre vos dossiers de formats légal ou lettre sur les SUPPORTS POUR DOSSIERS (6).

ÉTAPE 33

Décoller les APPLIQUÉS des FICHES D'APPLIQUÉS (16) et coller les sur chaque EXCENTRIQUE ESCAMOTABLE visible.

Insérer le PASSE-CÂBLES AVEC COUVERCLE (19) dans les trous du DESSUS (E).

Pour insérer un tiroir dans l'élément, aligner les COULISSES D'EXTENSION du tiroir sur les GLISSIÈRES D'EXTENSION de l'élément et enfoncer le tiroir dans l'élément jusqu'à ce que le tiroir soit complètement inséré. Le tiroir offrira une certaine résistance jusqu'à ce qu'il soit complètement inséré dans l'élément, il glissera ensuite sans difficulté.

REMARQUE : Prière de lire les informations importantes sur la sécurité figurant sur les pages arrière du manuel d'instructions.

Ceci complète l'assemblage. Nettoyer avec un tissu humide. Essuyer.

Use estas instrucciones de ensamblaje en español junto con las figuras paso-a-paso provistas en el folleto inglés. Cada paso en español corresponde al mismo paso en inglés. Compare la "Lista de Part" abajo con la "Part Identification" en el folleto en inglés para familiarizarse con Las partes de ensamblaje.

NOTA: ESTE FOLLETO DE INSTRUCCIONES CONTIENE INFORMACIÓN **IMPORTANTE** SOBRE LA SEGURIDAD. POR FAVOR LEA Y GUÁRDELO PARA REFERENCIA EN EL FUTURO.

**CONTÁCTENOS PRIMERO
ANTES DE HACER DEVOLUCIONES A LA TIENDA.**

Tratamos de asegurar que su mueble llega en condición excelente. Nuestros representantes de Servicio al Cliente son amables y listos para ayudarle con servicio rápido y eficiente si una parte está defectuosa o ausente (o si necesita ayuda con el ensamblaje). Llame o envíe un mensaje de texto:

800.445.1527

Lunes a viernes, 8:30 a.m. - 5:00 p.m.

**Hora oficial del Este
(excepto días festivos)**

Si requiere un repuesto de una parte, será enviado dentro de 48 horas (excepto los fines de semana y días festivos)

Anote la fecha de comprar esta unidad y guarde el folleto para su referencia futura. Si necesita ponerse en contacto con Sauder en cuanto a esta unidad, refiérase al número de lote y al número de modelo cuando llame a nuestro número gratis.

No. lote: _____

Fecha de compra: _____

LISTA DE PARTES			LISTA DE PARTES		
ITEM	DESCRIPCIÓN	CANTIDAD	ITEM	DESCRIPCIÓN	CANTIDAD
A	EXTREMO IZQUIERDO.....	1		(JUEGO DE EXTENSIÓN SE MUESTRA POR SEPARADO)	
B	EXTREMO DERECHO.....	1	1	RIEL DE EXTENSIÓN PEQUEÑO.....	8
C	PARAL IZQUIERDO.....	1	2	CORREDERA DE EXTENSIÓN PEQUEÑA...8	
D	PARAL DERECHO.....	1	3	RIEL DE EXTENSIÓN GRANDE.....	4
E	PANEL SUPERIOR.....	1	4	CORREDERA DE EXTENSIÓN GRANDE...4	
F	FONDO.....	2	5	CORRIMIENTO DE ARCHIVERO.....	4
G	VELO DE FONDO.....	1	6	SOPORTE DE ARCHIVERO.....	4
H	DORSO.....	2	7	PASADOR DE MADERA GRANDE.....	44
K	BASE.....	2	8	PASADOR DE MADERA PEQUEÑO.....	48
L	CARA DE CAJÓN PEQUEÑO.....	4	9	EXCÉNTRICO ESCONDIDO GRANDE...56	
M	LADO IZQUIERDO DE CAJÓN PEQUEÑO...4		10	EXCÉNTRICO ESCONDIDO PEQUEÑO...16	
N	LADO DERECHO DE CAJÓN PEQUEÑO...4		11	BIELA DE EXCÉNTRICO.....	72
O	DORSO DE CAJÓN PEQUEÑO.....	4	12	TIRADOR.....	6
P	FONDO DE CAJÓN PEQUEÑO.....	4	15	SOPORTE DE METAL.....	8
Q	CARA DE CAJÓN GRANDE.....	2	16	TARJETA CON APLICACIONES.....	1
R	LADO IZQUIERDO DE CAJÓN GRANDE...2		19	OJAL CON CUBIERTA.....	2
S	LADO DERECHO DE CAJÓN GRANDE...2		20	TORNILLO DE CABEZA PERDIDA de 9,5 mm.....	76
T	DORSO DE CAJÓN GRANDE.....	2	22	TORNILLO DE CABEZA REDONDA de 13 mm.....	16
U	FONDO DE CAJÓN GRANDE.....	2	24	TORNILLO DE CABEZA PERDIDA de 38 mm.....	16
			25	TORNILLO PARA METAL de 22 mm.....	6

Guía de uso de herrajes

CÓMO UTILIZAR EL EXCÉNTRICO ESCONDIDO Y LA BIELA DE EXCÉNTRICO O PASADOR DE EXCÉNTRICO

NOTA: Varias BIELAS DE EXCÉNTRICO o un PASADOR DE EXCÉNTRICO pueden ser utilizados.

1 Gire una BIELA DE EXCÉNTRICO o ligeramente golpee el PASADOR DE EXCÉNTRICO hasta que el resalto repose contra de la parte.

2 Empuje un EXCÉNTRICO ESCONDIDO dentro de la parte. La flecha en el EXCÉNTRICO ESCONDIDO debe apuntar hacia el agujero en el borde de la tabla.

3 Inserte la BIELA DE EXCÉNTRICO o el PASADOR DE EXCÉNTRICO en el EXCÉNTRICO ESCONDIDO. Apriete el EXCÉNTRICO ESCONDIDO.

PASO 1

Ensamble la unidad sobre un piso alfombrado o sobre el cartón vacío para evitar rayar la unidad o el piso.

Gire siete BIELAS DE EXCÉNTRICO (11) en el EXTREMO IZQUIERDO (A).

Empuje cuatro EXCÉNTRICOS ESCONDIDOS (9) en el EXTREMO IZQUIERDO (A).

PASO 2

Separe las CORREDERAS DE EXTENSIÓN PEQUEÑAS (2) de los RIELES DE EXTENSIÓN PEQUEÑOS (1) como se muestra en el diagrama superior más abajo. Prepárese, las piezas son grasientas.

Fije dos RIELES DE EXTENSIÓN (1) al EXTREMO IZQUIERDO (A). Utilice seis TORNILLOS DE CABEZA PERDIDA de 9,5 mm (20).

NOTA: Para cada RIEL DE EXTENSIÓN, atornille un TORNILLO dentro del agujero indicado en el diagrama ampliado. A continuación, deslice el cartucho interno del RIEL DE EXTENSIÓN hacia el interior para encontrar los otros agujeros que se alinean con los agujeros del EXTREMO IZQUIERDO. Atornille un TORNILLO dentro de estos agujeros.

NOTA: Las CORREDERAS DE EXTENSIÓN PEQUEÑAS se utilizarán más tarde para los CAJONES PEQUEÑOS.

PASO 3

Separe las CORREDERAS DE EXTENSIÓN GRANDES (4) de los RIELES DE EXTENSIÓN GRANDES (3) como se muestra en el diagrama superior más abajo. Prepárese, las piezas son grasientas.

Fije un RIEL DE EXTENSIÓN GRANDE (3) al EXTREMO IZQUIERDO (A). Utilice cuatro TORNILLOS DE CABEZA PERDIDA de 9,5 mm (20).

NOTA: Para cada RIEL DE EXTENSIÓN, atornille un TORNILLO dentro del agujero indicado en el diagrama ampliado. A continuación, deslice el cartucho interno del RIEL DE EXTENSIÓN hacia el interior para encontrar los otros agujeros que se alinean con los agujeros del EXTREMO IZQUIERDO. Atornille un TORNILLO dentro de estos agujeros.

NOTA: Las CORREDERAS DE EXTENSIÓN GRANDES se utilizarán más tarde para los CAJONES GRANDES.

PASO 4

Precaución: No coloque la unidad en posición vertical hasta que se fije el DORSO. La unidad podría caerse.

Empuje doce EXCÉNTRICOS ESCONDIDOS GRANDES (9) en el FONDO (F) y una BASE (K).

Gire dos BIELAS DE EXCÉNTRICO (11) en la BASE (K).

Inserte dos PASADORES DE MADERA GRANDES (7) en la BASE (K).

Fije la BASE (K) al FONDO (F). Apriete dos EXCÉNTRICOS ESCONDIDOS GRANDES.

NOTA: Asegúrese de que los PASADORES DE MADERA GRANDES en la BASE se inserten en el FONDO.

PASO 5

Empuje cuatro EXCÉNTRICOS ESCONDIDOS GRANDES (9) en un DORSO (H).

Inserte dos PASADORES DE MADERA GRANDES (7) en el borde del FONDO (F)

Empuje el DORSO (H) sobre los PASADORES DE MADERA GRANDES (7) en el FONDO (F).

PASO 6

Inserte cuatro PASADORES DE MADERA GRANDES (7) en el EXTREMO IZQUIERDO (A).

Fije el FONDO (F), el DORSO (H) y la BASE (K) al EXTREMO IZQUIERDO (A). Apriete siete EXCÉNTRICOS ESCONDIDOS GRANDES.

NOTA: Asegúrese de que los PASADORES DE MADERA en el EXTREMO IZQUIERDO se introduzca en el DORSO y el FONDO.

PASO 7

Gire tres BIELAS DE EXCÉNTRICO (11) en el PARAL IZQUIERDO (C).

Vuelva el PARAL IZQUIERDO (C) e inserte siete EXCÉNTRICOS ESCONDIDOS (11) en la otra superficie.

Empuje cuatro EXCÉNTRICOS ESCONDIDOS GRANDES (9) en el PARAL IZQUIERDO (C).

PASO 8

Fije los RIELES DE EXTENSIÓN CORTOS (1) al PARAL IZQUIERDO (C). Utilice seis TORNILLOS DE CABEZA PERDIDA de 9,5 mm (20).

NOTA: Para cada RIEL DE EXTENSIÓN, atornille un TORNILLO dentro del agujero indicado en el diagrama ampliado. A continuación, deslice el cartucho interno del RIEL DE EXTENSIÓN hacia el interior para encontrar los otros agujeros que se alinean con los agujeros del PARAL IZQUIERDO. Atornille un TORNILLO dentro de estos agujeros.

NOTA: Las CORREDERAS DE EXTENSIÓN PEQUEÑAS se utilizarán más tarde para los CAJONES PEQUEÑOS.

PASO 9

Fije el RIEL DE EXTENSIÓN GRANDE (3) al PARAL IZQUIERDO (C). Utilice cuatro TORNILLOS DE CABEZA PERDIDA de 9,5 mm (20).

NOTA: Para cada RIEL DE EXTENSIÓN, atornille un TORNILLO dentro del agujero indicado en el diagrama ampliado. A continuación, deslice el cartucho interno del RIEL DE EXTENSIÓN hacia el interior para encontrar los otros agujeros que se alinean con los agujeros del PARAL IZQUIERDO. Atornille un TORNILLO dentro de estos agujeros.

NOTA: Las CORREDERAS DE EXTENSIÓN GRANDES se utilizarán más tarde para los CAJONES GRANDES.

PASO 10

Inserte cuatro PASADORES DE MADERA GRANDES (7) en el FONDO (F) y el DORSO (H).

Fije el PARAL IZQUIERDO (C) al FONDO (F), al DORSO (H) y a la BASE (K). Apriete siete EXCÉNTRICOS ESCONDIDOS GRANDES.

NOTA: Asegúrese de que los PASADORES DE MADERA GRANDES en el FONDO y en el DORSO se inserten en el PARAL IZQUIERDO.

PASO 11

Fije cuatro SOPORTES DE METAL (15) al EXTREMO IZQUIERDO (A), al PARAL IZQUIERDO (C), al DORSO (H) y a la BASE (K). Utilice ocho TORNILLOS DE CABEZA REDONDA de 13 mm (22).

PASO 12

Empuje doce EXCÉNTRICOS ESCONDIDOS GRANDES (9) en el otro FONDO (F) y la BASE (K).

Gire dos BIELAS DE EXCÉNTRICO (11) en la BASE (K).

Inserte dos PASADORES DE MADERA GRANDES (7) en la BASE (K).

Fije la BASE (K) al FONDO (F). Apriete dos EXCÉNTRICOS ESCONDIDOS GRANDES.

NOTA: Asegúrese de que los PASADORES DE MADERA en la BASE se inserten en el FONDO.

PASO 13

Empuje cuatro EXCÉNTRICOS ESCONDIDOS GRANDES (9) en el otro DORSO (H).

Inserte dos PASADORES DE MADERA GRANDES (7) en el borde del FONDO (F)

Empuje el DORSO (H) sobre los PASADORES DE MADERA GRANDES (7) en el FONDO (F).

PASO 14

Atornille tres BIELAS DE EXCÉNTRICO (11) en el PARAL DERECHO (D).

Vuelva el PARAL DERECHO (D) e inserte siete EXCÉNTRICOS ESCONDIDOS (11) en la otra superficie.

Empuje cuatro EXCÉNTRICOS ESCONDIDOS GRANDES (9) en el PARAL DERECHO (D).

PASO 15

Fije los RIELES DE EXTENSIÓN CORTOS (1) al PARAL DERECHO (D). Utilice seis TORNILLOS DE CABEZA PERDIDA de 9,5 mm (20).

NOTA: Para cada RIEL DE EXTENSIÓN, atornille un TORNILLO dentro del agujero indicado en el diagrama ampliado. A continuación, deslice el cartucho interno del RIEL DE EXTENSIÓN hacia el interior para encontrar los otros agujeros que se alinean con los agujeros del PARAL DERECHO. Atornille un TORNILLO dentro de estos agujeros.

NOTA: Las CORREDERAS DE EXTENSIÓN PEQUEÑAS se utilizarán más tarde para los CAJONES PEQUEÑOS.

PASO 16

Fije el RIEL DE EXTENSIÓN GRANDE (3) al PARAL DERECHO (D). Utilice cuatro TORNILLOS DE CABEZA PERDIDA de 9,5 mm (20).

NOTA: Para cada RIEL DE EXTENSIÓN, atornille un TORNILLO dentro del agujero indicado en el diagrama ampliado. A continuación, deslice el cartucho interno del RIEL DE EXTENSIÓN hacia el interior para encontrar los otros agujeros que se alinean con los agujeros del PARAL DERECHO. Atornille un TORNILLO dentro de estos agujeros.

NOTA: Las CORREDERAS DE EXTENSIÓN GRANDES se utilizarán más tarde para los CAJONES GRANDES.

PASO 17

Inserte cuatro PASADORES DE MADERA GRANDES (7) en el PARAL DERECHO (D).

Fije el FONDO (F), el DORSO (H) y la BASE (K) al PARAL DERECHO (D). Apriete siete EXCÉNTRICOS ESCONDIDOS GRANDES.

NOTA: Asegúrese de que los PASADORES DE MADERA en el PARAL DERECHO se introduzca en el DORSO y el FONDO.

PASO 18

Gire siete BIELAS DE EXCÉNTRICO (11) en el EXTREMO DERECHO (B).

Empuje cuatro EXCÉNTRICOS ESCONDIDOS GRANDES (9) en el EXTREMO DERECHO (B).

PASO 19

Fije los RIELES DE EXTENSIÓN CORTOS (1) al EXTREMO DERECHO (B). Utilice seis TORNILLOS DE CABEZA PERDIDA de 9,5 mm (20).

NOTA: Para cada RIEL DE EXTENSIÓN, atornille un TORNILLO dentro del agujero indicado en el diagrama ampliado. A continuación, deslice el cartucho interno del RIEL DE EXTENSIÓN hacia el interior para encontrar los otros agujeros que se alinean con los agujeros del EXTREMO DERECHO. Atornille un TORNILLO dentro de estos agujeros.

NOTA: Las CORREDERAS DE EXTENSIÓN PEQUEÑAS se utilizarán más tarde para los CAJONES PEQUEÑOS.

PASO 20

Fije el RIEL DE EXTENSIÓN GRANDE (3) al EXTREMO DERECHO (B). Utilice cuatro TORNILLOS DE CABEZA PERDIDA de 9,5 mm (20).

NOTA: Para cada RIEL DE EXTENSIÓN, atornille un TORNILLO dentro del agujero indicado en el diagrama ampliado. A continuación, deslice el cartucho interno del RIEL DE EXTENSIÓN hacia el interior para encontrar los otros agujeros que se alinean con los agujeros del EXTREMO DERECHO. Atornille un TORNILLO dentro de estos agujeros.

NOTA: Las CORREDERAS DE EXTENSIÓN GRANDES se utilizarán más tarde para los CAJONES GRANDES.

PASO 21

Inserte cuatro PASADORES DE MADERA GRANDES (7) en el FONDO (F) y el DORSO (H).

Fije EXTREMO DERECHO (B) al FONDO (F), al DORSO (H) y a la BASE (K). Apriete siete EXCÉNTRICOS ESCONDIDOS GRANDES.

NOTA: Asegúrese de que los PASADORES DE MADERA GRANDES en el FONDO y en el DORSO se inserten en el EXTREMO DERECHO.

PASO 22

Fije cuatro SOPORTES DE METAL (15) al EXTREMO DERECHO (B), al PARAL DERECHO (D), al DORSO (H) y a la BASE (K). Utilice ocho TORNILLOS DE CABEZA REDONDA de 13 mm (22).

PASO 23

Empuje ocho EXCÉNTRICOS ESCONDIDOS GRANDES (9) en el VELO DE FONDO (G).

PASO 24

Inserte tres PASADORES DE MADERA GRANDES (7) en el PARAL IZQUIERDO (C).

Fije el VELO DE FONDO (G) al PARAL IZQUIERDO (C). Apriete tres EXCÉNTRICOS ESCONDIDOS GRANDES.

NOTA: Asegúrese de que los PASADORES DE MADERA GRANDES del PARAL IZQUIERDO se inserten en el VELO DE FONDO.

Inserte tres PASADORES DE MADERA GRANDES (7) en el PARAL DERECHO (D).

Fije el PARAL DERECHO (D) al VELO DE FONDO (G). Apriete tres EXCÉNTRICOS ESCONDIDOS GRANDES. **NOTA:** Asegúrese de que los PASADORES DE MADERA GRANDES del PARAL DERECHO se inserten en el VELO DE FONDO.

PASO 25

Atornille dieciocho BIELAS DE EXCÉNTRICO (11) en el PANEL SUPERIOR (E).

PASO 26

Inserte catorce EXCÉNTRICOS ESCONDIDOS GRANDES (7) en los EXTREMOS (A y B), los PARALES (C y D), el VELO DE FONDO (G) y los DORSOS (H).

Fije el PANEL SUPERIOR a los EXTREMOS (A y B), a los PARALES (C y D), al VELO DE FONDO (G) y a los DORSOS (H). Apriete dieciocho EXCÉNTRICOS ESCONDIDOS GRANDES.

PASO 27

Atornille dieciséis BIELAS DE EXCÉNTRICO (11) en las CARAS DE CAJÓN PEQUEÑO (L) y las CARAS DE CAJÓN GRANDE (Q).

PASO 28

Empuje un EXCÉNTRICO ESCONDIDO PEQUEÑO (10) en uno de cada uno de los LADOS DE CAJÓN PEQUEÑO (M y N).

Fije dos CORREDERAS DE EXTENSIÓN PEQUEÑAS (2) a los LADOS DE CAJÓN PEQUEÑO (M y N). Utilice seis TORNILLOS DE CABEZA PERDIDA de 9,5 mm (20).

Fije un TIRADOR (12) a la CARA DE CAJÓN PEQUEÑO (L) como se muestra en el diagrama ampliado. Utilice un TORNILLO PARA METAL de 22 mm (25).

Repita este paso para los restantes LADOS DE CAJÓN PEQUEÑO (M y N) y las CARAS DE CAJÓN PEQUEÑO (L).

PASO 29

1. Inserte cuatro PASADORES DE MADERA PEQUEÑOS (8) en el DORSO DE CAJÓN PEQUEÑO (O).

Fije los LADOS DE CAJÓN PEQUEÑO (M y N) al DORSO DE CAJÓN PEQUEÑO (O). Utilice dos TORNILLOS DE CABEZA PERDIDA de 38 mm (24).

NOTA: Asegúrese de que los PASADORES DE MADERA PEQUEÑOS del DORSO DE CAJÓN PEQUEÑO se inserten en los LADOS DE CAJÓN PEQUEÑO.

2. Deslice el FONDO DE CAJÓN PEQUEÑO (P) en las ranuras de los LADOS DE CAJÓN PEQUEÑO (M y N) y del DORSO DE CAJÓN PEQUEÑO (O).

3. Inserte cuatro PASADORES DE MADERA PEQUEÑOS (8) en los LADOS DE CAJÓN PEQUEÑO (M y N).

Fije la CARA DE CAJÓN PEQUEÑO (L) a los LADOS DE CAJÓN PEQUEÑO (M y N). Apriete dos EXCÉNTRICOS ESCONDIDOS PEQUEÑOS.

NOTA: Asegúrese de que los PASADORES DE MADERA de los LADOS DE CAJÓN PEQUEÑO se inserten en la CARA DE CAJÓN PEQUEÑO.

NOTA: Asegúrese de que el FONDO DE CAJÓN PEQUEÑO (P) ajuste en la ranura de la CARA DE CAJÓN PEQUEÑO (L).

Repita este paso para los otros cajones pequeños.

PASO 30

Empuje dos EXCÉNTRICOS ESCONDIDOS PEQUEÑOS (10) en uno de los LADOS DE CAJÓN GRANDE (R y S).

Fije dos CORREDERAS DE EXTENSIÓN GRANDES (4) a los LADOS DE CAJÓN GRANDE (R y S). Utilice seis TORNILLOS DE CABEZA PERDIDA de 9,5 mm (20).

Fije un TIRADOR (12) a la CARA DE CAJÓN GRANDE (Q) como se muestra en el diagrama ampliado. Utilice un TORNILLO PARA METAL de 22 mm (25).

Repita este paso para los otros LADOS DE CAJÓN GRANDE (R y S) y la CARA DE CAJÓN GRANDE (Q).

PASO 31

1. Inserte cuatro PASADORES DE MADERA PEQUEÑOS (8) en un DORSO DE CAJÓN GRANDE (T).

Fije los LADOS DE CAJÓN GRANDE (R y S) al DORSO DE CAJÓN GRANDE (T). Utilice cuatro TORNILLOS DE CABEZA PERDIDA de 38 mm (24).

NOTA: Asegúrese de que los PASADORES DE MADERA del DORSO DE CAJÓN PEQUEÑO se inserten en los LADOS DE CAJÓN PEQUEÑO.

2. Deslice un FONDO DE CAJÓN GRANDE (U) en las ranuras de los LADOS DE CAJÓN GRANDE (R y S) y del DORSO DE CAJÓN GRANDE (T).

3. Inserte cuatro PASADORES DE MADERA PEQUEÑOS (8) en los LADOS DE CAJÓN GRANDE (R y S).

Fije una CARA DE CAJÓN GRANDE (Q) a los LADOS DE CAJÓN GRANDE (R y S). Apriete cuatro EXCÉNTRICOS ESCONDIDOS PEQUEÑOS.

NOTA: Asegúrese de que los PASADORES DE MADERA PEQUEÑOS de los LADOS DE CAJÓN GRANDE se inserten en la CARA DE CAJÓN GRANDE.

NOTA: Asegúrese de que el FONDO DE CAJÓN GRANDE (U) ajuste dentro de la ranura de la CARA DE CAJÓN GRANDE (Q).

Repita este paso para el otro cajón grande.

PASO 32

NOTA: El cajón de archivos contendrá carpetas tanto tamaño legal como de tamaño carta, dependiendo de cómo coloque los CORRIMIENTOS DE ARCHIVADOR y SOPORTES en el cajón.

Opción 1: Fije los CORRIMIENTOS DE ARCHIVERO (5) sobre los LADOS DE CAJÓN GRANDE (R y S). Cuelgue los archivos de tamaño carta sobre los CORRIMIENTOS DE ARCHIVERO (5).

Opción 2: Empuje los SOPORTES DE ARCHIVERO (6) sobre los CORRIMIENTOS DE ARCHIVERO (5). Cuelgue los archivos de tamaño legal o de tamaño carta sobre los SOPORTES DE ARCHIVERO (6).

PASO 33

Separe las APLICACIONES de las TARJETAS CON APLICACIONES (16) y aplique las sobre cada EXCÉNTRICO ESCONDIDO visible.

Inserte los OJALES CON CUBIERTA (19) en los agujeros del PANEL SUPERIOR (E).

Para insertar un cajón dentro de la unidad, alinee las CORREDERAS DE EXTENSIÓN sujetadas al cajón con los RIELES DE EXTENSIÓN sujetados a la unidad y empuje el cajón dentro de la unidad hasta que el cajón esté completamente insertado. El cajón mueve con dificultad hasta que se inserte completamente dentro de la unidad, después deslizará fácilmente hacia dentro y hacia fuera.

NOTA: Por favor, lea las páginas de atrás del folleto de instrucciones en cuanto a importante información de seguridad.

Esto completa el ensamblaje. Limpiar con un trapo húmedo. Seque con un paño.

⚠ **WARNING**

Please use your furniture correctly and safely. Improper use can cause safety hazards, or damage to your furniture or household items. **Carefully read the following chart.**

Look out for:	What can happen:	How to avoid the problem:
<ul style="list-style-type: none"> Overloaded shelves or drawers. Improper loading can cause the product to be top-heavy. 	<ul style="list-style-type: none"> Risk of injury. Top-heavy furniture can tip over. Overloaded shelves and drawers can break. 	<ul style="list-style-type: none"> Never exceed the weight limits shown in the instructions. Work from bottom to top when loading shelves and drawers. Place the heavier items on the lower shelves or in lower drawers.
<ul style="list-style-type: none"> Improperly moving furniture that is not designed and equipped with casters. 	<ul style="list-style-type: none"> Furniture can tip over or break if improperly moved. Physical injury. Furniture can be very heavy. Breakage of tops - particularly with double pedestal furniture (drawers at both ends). 	<ul style="list-style-type: none"> Unload shelves and drawers from top to bottom before moving the unit. Do not push furniture, especially on a carpeted floor. Have a friend help you lift the item and set it in place. Provide support to the center section of the top when lifting the furniture.
<ul style="list-style-type: none"> Placing TVs on furniture items that are not designed to support a television is hazardous. 	<ul style="list-style-type: none"> Risk of injury or death. TVs can be very heavy. Plus the weight and location of the picture tube tends to make TVs unbalanced and prone to tipping forward. 	<ul style="list-style-type: none"> This product is not designed to support a television.

⚠ **AVERTISSEMENT**

Prière d'utiliser le mobilier à bon escient et avec prudence. Une mauvaise utilisation peut être à l'origine de risques d'accident ou peut endommager le mobilier et les articles ménagers. **Lire attentivement le tableau suivant.**

À surveiller :	Danger éventuel :	Solution :
<ul style="list-style-type: none"> Tablettes ou tiroirs surchargés. En cas de chargement inadéquat l'élément peut être lourd du haut. 	<ul style="list-style-type: none"> Risque de blessure. Du mobilier mal équilibré risque de se renverser. Tablettes et tiroirs surchargés risquent de casser. 	<ul style="list-style-type: none"> Ne jamais excéder les limites de poids indiquées dans les instructions. Pour charger les tablettes et tiroirs, commencer par remplir celui du bas pour finir par celui du haut. Placer les articles plus lourds sur les tablettes inférieures ou dans les tiroirs inférieurs.
<ul style="list-style-type: none"> Déplacement inadéquat d'un mobilier qui n'est pas conçu pour avoir des roulettes et n'en est pas équipé. 	<ul style="list-style-type: none"> Le mobilier risque de se renverser ou de casser en cas de déplacement inadéquat. Blessure physique. Le mobilier peut être très lourd. Défaillance des dessus surtout avec les éléments de double piédestaux (tiroirs en chaque extrémité). 	<ul style="list-style-type: none"> Décharger les tablettes et tiroirs en commençant par celui du haut avant de déplacer l'élément. Ne pas pousser le meuble, surtout sur la moquette. Se faire aider par une autre personne pour soulever l'élément et le mettre en place. Supporter la section centrale du dessus lorsque l'on soulève le meuble.
<ul style="list-style-type: none"> Il est dangereux de placer des téléviseurs sur des meubles que ne sont pas prévus à cet effet. 	<ul style="list-style-type: none"> Risque de blessures graves, voire mortelles. Les téléviseurs peuvent être particulièrement lourds. De plus, le poids et l'emplacement du tube image ont tendance à rendre les téléviseurs instables et enclins à tomber vers l'avant. 	<ul style="list-style-type: none"> Ce produit n'est pas destiné à supporter un téléviseur.

ADVERTENCIA

Por favor use el mobiliario correcta y seguramente. El mal uso puede causar riesgos de seguridad o daño a las unidades o artículos domésticos. **Cuidadosamente lea la tabla a continuación.**

Esté alerta de:	Puede ocurrir:	Evitar el problema:
<ul style="list-style-type: none">• Estantes o cajones sobrecargados.• Cargar el producto de manera inadecuada puede causar la inestabilidad.	<ul style="list-style-type: none">• Riesgo de lesiones.• El mobiliario inestable puede volcarse.• Estantes y cajones sobrecargados pueden romperse.	<ul style="list-style-type: none">• Nunca exceder los límites de peso indicados en las instrucciones.• Cargue los estantes y cajones a partir de la base y trabaje hacia arriba. Coloque los artículos más pesados sobre los estantes inferiores o en los cajones inferiores.
<ul style="list-style-type: none">• Mover incorrectamente el mobiliario que no está diseñado y provisto con ruedecitas.	<ul style="list-style-type: none">• La inclinación o rotura del mobiliario es posible si se mueve de manera inadecuada.• Lesión física. El mobiliario puede ser muy pesado.• Rotura de las superficies especialmente las unidades con dos pedestales (con cajones en cada extremo).	<ul style="list-style-type: none">• Descargue los estantes y cajones desde arriba hacia abajo antes de mover la unidad.• No empuje la unidad, especialmente sobre un piso alfombrado. Pide la ayuda de otra persona para levantar la unidad y colocarla en lugar.• Soporte la sección central del panel superior cuando levanta el mueble.
<ul style="list-style-type: none">• Es peligroso colocar los televisores sobre unidades de mobiliario que no están diseñadas para soportar un televisor.	<ul style="list-style-type: none">• Riesgo de lesiones o muerte. Los televisores pueden ser muy pesados. Además, el peso y la ubicación del tubo de imagen tienden a causar la inestabilidad de televisores y propensa a volcarse hacia adelante.	<ul style="list-style-type: none">• Este producto no está diseñado para soportar un televisor.

5-YEAR LIMITED WARRANTY

1. Sauder Woodworking Co. (Sauder®) provides limited warranty coverage to the original purchaser of this product for a period of five years from the date of purchase against defects in materials or workmanship of Sauder furniture components. As used in this Warranty, "defect" means imperfections in components which substantially impair the utility of the product. This Warranty gives you specific legal rights, and you may also have other rights which vary from state to state.

2. There is no warranty coverage for defects or conditions that result from the failure to follow product assembly instructions, information or warnings, misuse or abuse, intentional damage, fire, flood, alteration or modification of the product, or use of the product in a manner inconsistent with its intended use, nor any condition resulting from incorrect or inadequate maintenance, cleaning, or care. There is also no warranty coverage for rented products or any products purchased "used" or "as is", at a distress or going-out-of business sale, or from a liquidator.

3. As the exclusive remedy under this Warranty, Sauder will (at its sole option) repair, replace or refund the value of any defective furniture component. Sauder may require independent confirmation of the claimed defect and proof of purchase. Replacement parts will be warranted for only the remaining period of the original Warranty. SAUDER SHALL HAVE NO LIABILITY FOR ANY INCIDENTAL OR CONSEQUENTIAL DAMAGES OF ANY KIND and all such damages are EXCLUDED FROM THIS WARRANTY, such as loss of use, disassembly, transportation, labor or damage to property on or near the product. Some states do not allow the exclusion or limitation of incidental or consequential damages, so the above limitation or exclusion may not apply to you.

GARANTIE LIMITÉE DE 5 ANS

1. Sauder Woodworking Co. (Sauder®) offre une couverture de garantie limitée à l'acheteur initial du présent produit pendant une période de cinq ans à compter de la date d'achat contre tout défaut de matériaux ou de fabrication des composantes de mobilier Sauder. Le mot « défaut », tel qu'il est utilisé sous les termes de la présente garantie, comprend les imperfections des pièces qui empêchent substantiellement l'utilisation du produit. La présente garantie vous donne des droits légaux spécifiques et il est possible que vous ayez des droits supplémentaires variant d'État en État ou de province en province.

2. La présente garantie ne saurait couvrir les défauts ou conditions qui surviendraient à la suite du non respect des instructions, informations ou mises en garde de montage, d'une mauvaise utilisation ou d'un abus, d'un dommage intentionnel, d'un incendie, d'une inondation, d'une altération ou modification du produit, d'une utilisation du produit allant à l'encontre de son usage prévu, ni aucune condition résultant d'une maintenance, d'un nettoyage ou d'un entretien inappropriés ou inadéquats. De plus, il n'existe aucune garantie pour les produits loués ou tous les produits achetés « d'occasion » ou « en l'état », dans le cadre d'une vente aux enchères ou de solde pour cessation de commerce, ou auprès d'un liquidateur.

3. En tant que recours exclusif en vertu de la présente garantie, Sauder réparera, remplacera ou remboursera (sur sa seule décision) la valeur de toute composante de mobilier défectueuse. Sauder peut exiger une confirmation indépendante du défaut revendiqué ainsi qu'une preuve d'achat. Les pièces de rechange seront garanties uniquement pendant la période restante de la garantie originale. SAUDER NE SERA EN AUCUN CAS RESPONSABLE DE TOUT DOMMAGE ACCESSOIRE OU CONSÉCUTIF DE TOUTE SORTIE et lesdits dommages sont EXCLUS DE LA PRÉSENTE GARANTIE, à savoir perte d'utilisation, démontage, transport, main d'œuvre ou dommages matériels sur ou à proximité du produit. Certains États ou provinces ne permettant pas l'exclusion ou la limite aux responsabilités pour dommages accidentels ou consécutifs, la limite ou l'exclusion ci-dessus peut ne pas être applicable.

GARANTÍA LIMITADA DE 5 AÑOS

1. Sauder Woodworking Co. (Sauder®) provee cobertura de garantía limitada al comprador original de este producto por un periodo de cinco años, a partir de la fecha de compra, contra defectos en los materiales o de mano de obra en los componentes de muebles Sauder. Como es utilizado en esta Garantía, "defecto" significa imperfecciones en los componentes que de manera fundamental afecta la utilidad del producto. Esta Garantía le permite a usted ciertos derechos legales, y usted también podría poseer otros derechos adicionales, los cuales varían de estado a estado.

2. No hay cobertura de garantía para defectos o estados que resulten del incumplimiento en seguir las instrucciones, la información o las advertencias sobre el ensamblaje del producto; del uso incorrecto o maltrato, del daño intencional, incendio, inundación, cambio o modificación del producto; o de la utilización del producto de manera contradictoria con el uso para el cual fue fabricado, ni por ningún estado que resulte del mantenimiento, limpieza o cuidado incorrecto o inadecuado. Tampoco no hay cobertura de garantía para los productos rentados o para cualesquiera productos comprados "de uso" o "como está", en una venta de bienes embargados o en una venta por salirse del negocio, o comprados a un liquidador.

3. Como un recurso exclusivo bajo esta Garantía, Sauder (sólo a su opción) reparará, reemplazará o reembolsará el valor de cualquier componente defectuoso de mueble. Sauder puede requerir una confirmación independiente de un defecto reclamado y una prueba de compra. Las piezas de repuesto serán garantizadas solamente por el periodo de tiempo que queda de la Garantía original. SAUDER NO TENDRÁ RESPONSABILIDAD POR NINGÚN DAÑO INCIDENTAL O CONSECUENTE DE NINGÚN TIPO y todos dichos daños SE EXCLUYEN DE ESTA GARANTÍA, tales como pérdida de uso, desensamblaje, transportación, trabajo o daño a la propiedad en o cerca del producto. Algunos estados no permiten la exclusión o limitación de daños incidentales o consecuentes, en tales instancias la limitación o exclusión antes mencionada podría no ser aplicable a usted.

4. This Warranty applies only to warranted defects that first arise and are reported to Sauder within the warranty coverage period. The Warranty cannot be transferred to subsequent owners or users of the product, and it shall be immediately void in the event the product is resold, transferred, leased or rented to any third party or person other than the original purchaser.

5. THERE ARE NO OTHER WARRANTIES APPLICABLE TO THIS PRODUCT. Under the laws of certain states, there may be no implied warranties from Sauder and all implied warranties, INCLUDING ANY IMPLIED WARRANTY OF MERCHANTABILITY OR FITNESS FOR A PARTICULAR PURPOSE are disclaimed where allowed by law. TO THE EXTENT ANY IMPLIED WARRANTIES ARE APPLICABLE, ANY IMPLIED WARRANTIES, INCLUDING ANY IMPLIED WARRANTY OF MERCHANTABILITY OR FITNESS FOR A PARTICULAR PURPOSE, ARE LIMITED IN DURATION TO THE DURATION OF THIS EXPRESS WARRANTY or the minimum period allowed by law, whichever is shorter. Some states do not allow limitations on how long an implied Warranty lasts, so the above limitation may not apply to you.

6. For Warranty inquiries or claims, please visit our website www.sauder.com. You can also contact Sauder at 1.800.445.1527. Sauder may require Warranty claims to be submitted in writing to: Sauder Woodworking Co., 502 Middle Street, Archbold, OH 43502 USA. Please include your sales receipt or other proof of purchase and a specific description of the product defect.

4. La présente garantie ne s'applique qu'aux défauts garantis qui se produisent pour la première fois et qui sont signalés à Sauder dans les limites de couverture de la garantie. La garantie ne peut pas être transférée à des propriétaires ou utilisateurs subséquents du produit, et sera immédiatement invalidée dans le cas où le produit est revendu, transféré, loué sous bail ou loué à une tierce partie ou personne autre que l'acheteur original.

5. IL N'EXISTE AUCUNE AUTRE GARANTIE EN VIGUEUR POUR LE PRÉSENT PRODUIT. En vertu des lois de certains États ou provinces, il ne peut y avoir de garanties implicites de la part de Sauder et toutes les garanties implicites, Y COMPRIS TOUTE GARANTIE IMPLICITE DE COMMERCIALITÉ OU D'ADAPTATION À UN USAGE PARTICULIER sont déclinées partout où la loi l'autorise. DANS LA MESURE OÙ TOUTE GARANTIE IMPLICITE EST APPLICABLE, TOUTE GARANTIE IMPLICITE, Y COMPRIS TOUTE GARANTIE DE COMMERCIALITÉ OU D'ADAPTATION À UN USAGE PARTICULIER, EST LIMITÉE À LA DURÉE DE LA PRÉSENTE GARANTIE EXPRESSE ou à la période minimum autorisée par la loi, la période la plus courte étant retenue. Certains États ne permettant pas que des limites soient imposées quant à la durée d'une garantie implicite, la limite ci-dessus peut donc ne pas être applicable.

6. Pour toute question concernant la garantie ou toute demande de réclamation, consulter le site Web www.sauder.com. Il est également possible de contacter Sauder en composant le 1.800.445.1527. Sauder peut exiger de soumettre les demandes de réclamation sous garantie par écrit à : Sauder Woodworking Co., 502 Middle Street, Archbold, OH 43502 USA. Veuillez joindre votre ticket de caisse ou toute autre preuve d'achat ainsi qu'une description spécifique du défaut de produit.

4. Esta Garantía sólo es aplicable a defectos garantizados que primeramente surjan y se informen a Sauder dentro del periodo de cobertura de garantía. La Garantía no puede ser transferida a propietarios o usuarios subsiguientes del producto, y ésta será inmediatamente invalidada en el caso que el producto sea revendido, transferido, arrendado o rentado a cualquier tercero u otra persona que no sea el comprador original.

5. NO HAY OTRA GARANTÍA APLICABLE A ESTE PRODUCTO. Bajo las leyes de ciertos estados, pueden no haber garantías implícitas de Sauder y se hace renuncia de responsabilidad de todas las garantías implícitas donde lo permita la ley, INCLUYENDO CUALQUIER GARANTÍA IMPLÍCITA DE MERCANTIBILIDAD O DE APTITUD PARA UN PROPÓSITO EN PARTICULAR. EN LA MEDIDA CUALQUIER GARANTÍA IMPLÍCITA ES APLICABLE, CUALESQUIERA GARANTÍAS IMPLÍCITAS, INCLUYENDO AQUELLA DE MERCANTIBILIDAD O DE APTITUD PARA UN PROPÓSITO EN PARTICULAR, SE LIMITAN EN DURACIÓN HASTA LA DURACIÓN DE ESTA GARANTÍA IMPLÍCITA o hasta el periodo mínimo permitido por la ley, la que sea más corta. Algunos estados no permiten limitaciones en cuanto a la duración de una garantía implícita, por eso la limitación arriba citada pueda no ser aplicable a usted.

6. Para solicitud de información o reclamación de Garantía, por favor, visite nuestro sitio Web www.sauder.com. Usted también puede contactar a Sauder llamando al 1.800.445.1527. Sauder puede solicitar que las reclamaciones sean presentadas por escrito a: Sauder Woodworking Co., 502 Middle Street, Archbold, OH 43502 USA. Por favor incluya su recibo de venta u otra prueba de compra y una descripción detallada del defecto del producto.

CONTACT US FIRST BEFORE MAKING ANY RETURNS TO THE RETAILER.

Dear Valued Customer:

Thanks so much for choosing Sauder® furniture. I hope the purchase and assembly process was a positive experience and you feel good about the furniture you just built.

My grandfather, Erie Sauder, founded the company in 1934 and later invented and patented the first commercially successful ready-to-assemble tables. We strive to hold true to his core values of innovation, integrity, servanthood and stewardship.

Sauder products are made with environmentally responsible materials and world-class manufacturing processes. Our dedicated employees in Archbold, Ohio, along with our global manufacturing partners, are committed to providing you furniture with great value, style and quality.

From our family to you. Enjoy!



Dan Sauder
Executive Vice President



Register and review
your new product
at Sauder.com

For immediate service, our website is available 24 hours per day, 7 days per week, to order replacement parts, access assembly tips, leave a review, register your product and view Sauder products. www.sauder.com/service

So, how did it go?

Set a world record for speed?
Feeling good about yourself?
Nice. Get social with it on any
of these quality share sites.



If you need assistance or want to learn more, please call or text our award-winning, Ohio-based customer service team at **800.445.1527** Monday-Friday - 8:30 a.m. to 5:00 p.m. ET (except holidays) or at sauder.com/service.

General Conformity Certificate

1. This certificate applies to the Sauder Global Sourcing Product identified by this Instruction Book.
2. This certificate applies to compliance of this product with the CPSC Ban on Lead-Containing Paint (16 CFR 1303).
3. This product is manufactured for:
Sauder Woodworking Company
502 Middle St.
Archbold, OH 43502
419-446-2711
4. Date of Manufacture: _____

