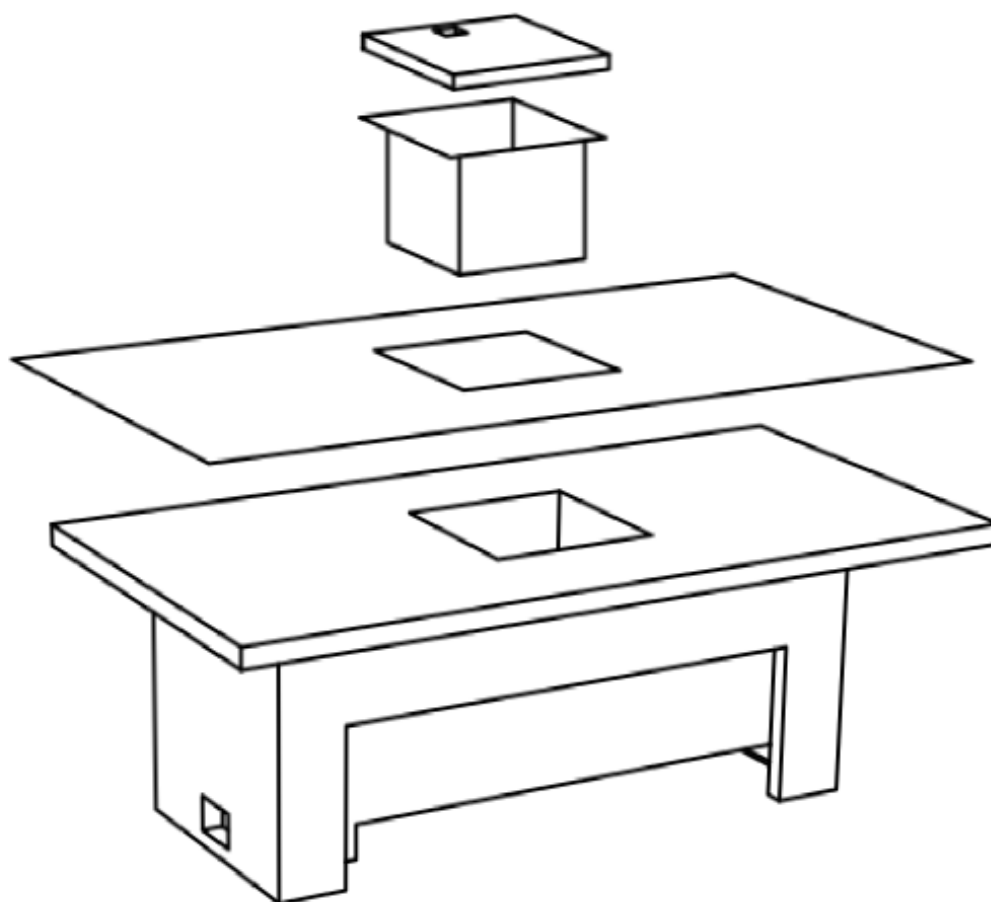


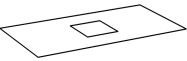
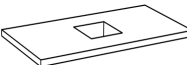
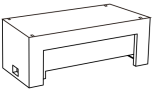
WICKER UP/DOWN ADJUSTABLE DINING TABLE

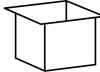

Assembly instructions

GETTING TO KNOW YOUR PRODUCT



Components supplied. Please use this guide if you require replacement parts.

Ref	Dimensions	Visual	Qty
1	150*80*0.8cm		1
2	150*80*6cm		1
3	110*66*44cm		1

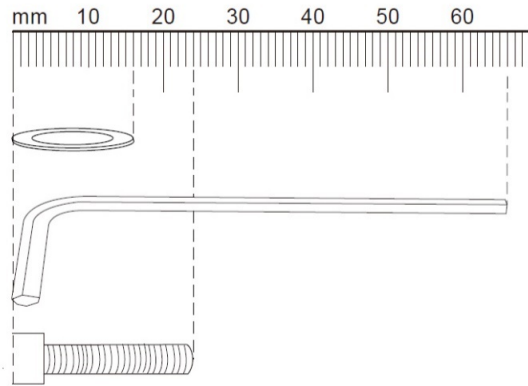
Ref	Dimensions	Visual	Qty
4	30*30*28cm		1
5	30*30*2cm		1

WICKER UP/DOWN ADJUSTABLE DINING TABLE

Assembly instructions

Fixtures and fittings
supplied(actual size)

Ref	Dimensions	Qty
A	ø6*1mm	4
B	22*66mm	1
C	1/4x25mm	4

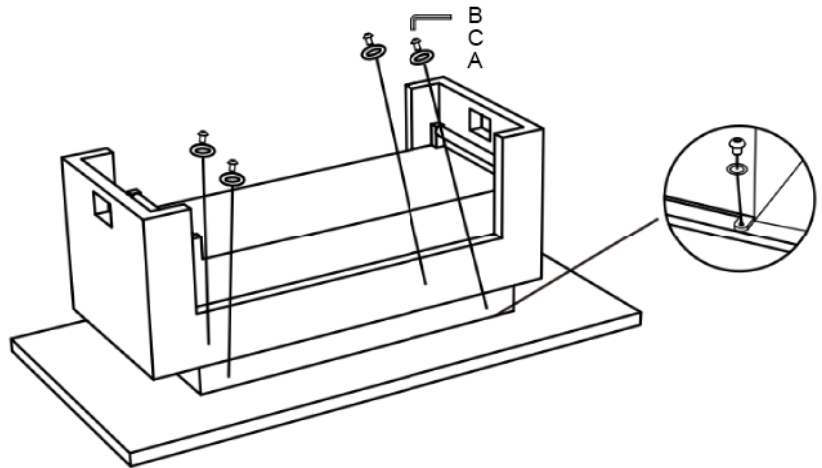
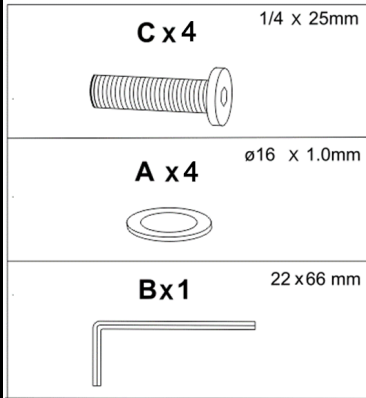


WICKER UP/DOWN ADJUSTABLE DINING TABLE

Assembly instructions

1

Tip - Do not fully tighten the bolts until the item is fully assembled.



3

