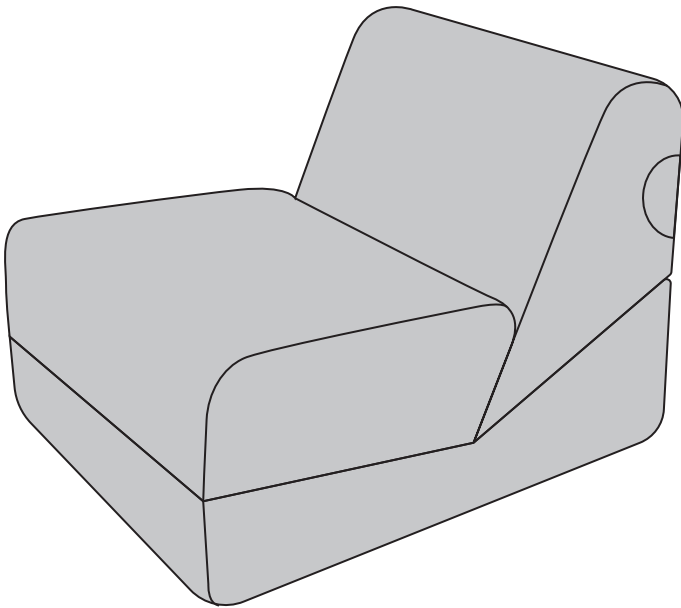


# PRODUCT MANUAL

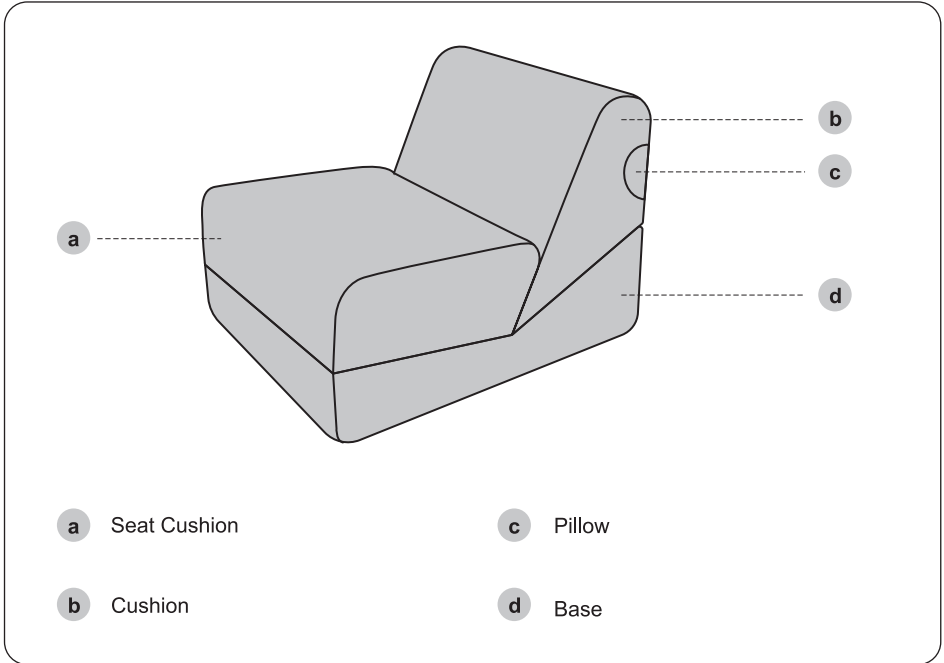


**Please Read This Instruction Manual Carefully Before Using The Product**

# Parts List:

Please check all parts and accessories according to the parts list before assembling, make sure all contents are sufficient and in good condition.

If there is any parts missing or defective, please contact us immediately with purchase platform message to get replacement parts.



## Warm Tip:

When using cutting tools, take care to avoid damaging the product. Keep all packaging materials away from children, as they pose a potential suffocation hazard.

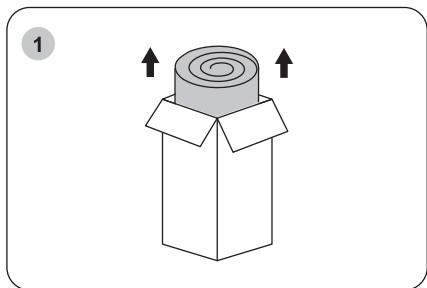


Handy opener tool is one option to get started.  
Find it in the package box.

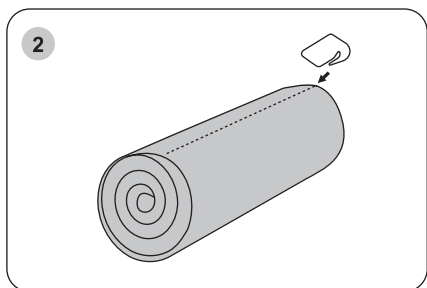


**Caution:** This cutter is sharp,  
please keep it away from children.

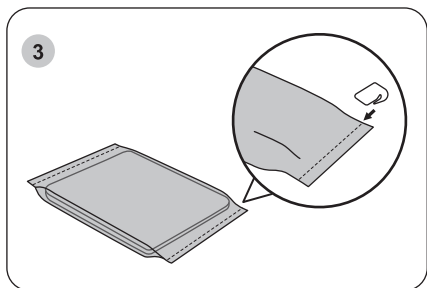
# 1. HOW TO PROPERLY UNBOX THE SOFA.



Take out the compressed sofa from the package and place it on a flat and clean ground.



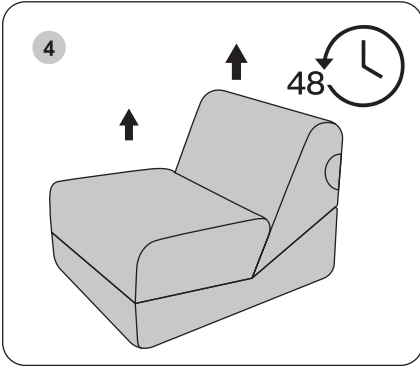
Carefully open the outermost polybag with the provided cutting tool. Be careful not to puncture the inner vacuum packaging.



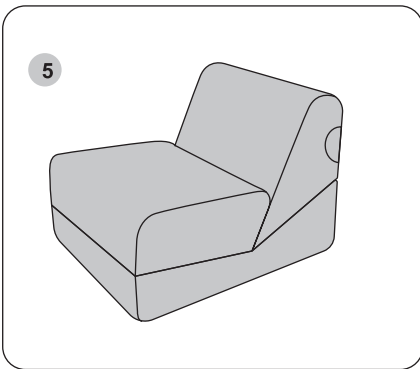
Use the provided cutting tool to carefully open the inner vacuum packaging. Make sure to be extra careful not to cut the products inside.



If the inner vacuum packaging is punctured, the compressed sofa will unroll quickly. When decompressing, always stand at the end of the compressed sofa to avoid injury.



1. Unroll the sofa.
2. Allow up to 48hrs for the sofa to fully expand.  
(Note: The sofa can be used normally during the unfolding period.)

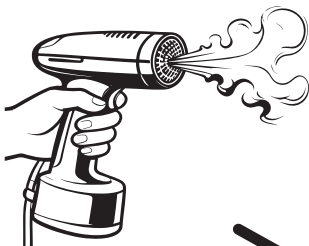


Different people have different perceptions of firmness and softness. Some people find it firm, while others find it soft. Please give the sofa enough time to overcome the first impression bias.



**WARNING**

When the sofa fabric wrinkles, a steam iron at 120 to 140 degrees Celsius can be used for ironing. Do not use an electric iron. To avoid damage caused by direct contact with the iron, you can place a layer of cloth on the fabric before ironing.

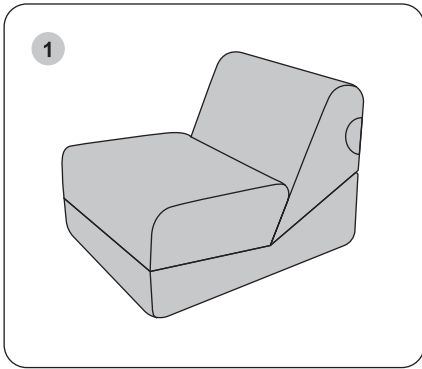


Garment Steamers

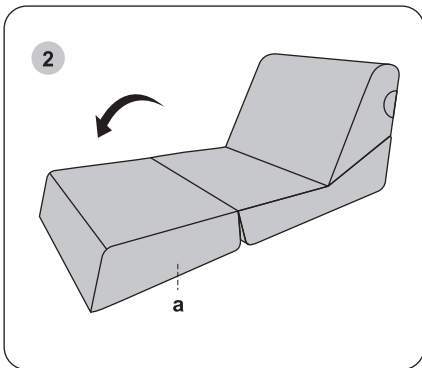


Irons

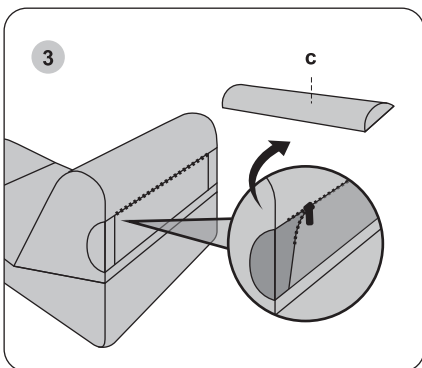
## 2. 3-in-1 Convertible Modes:



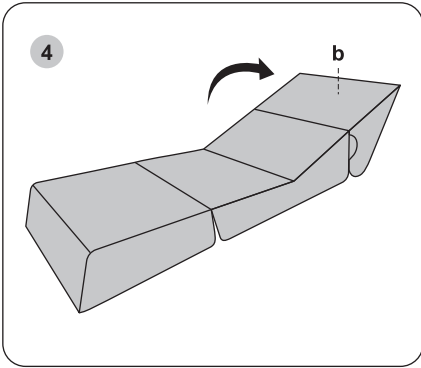
As shown in Figure 1, it is the seat mode.



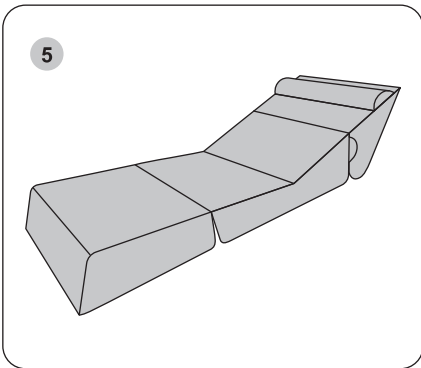
As shown in Figure 2, when seat cushion a is opened in the direction of the arrow, it can be transformed into a semi-reclining mode.



As shown in Figure 3, unzip and take out the pillow c.



As shown in Figure 4, Cushion b opens in the direction of the arrow.



As shown in Figure 5, after placing the pillow c, it can be transformed into a flat lying mode.

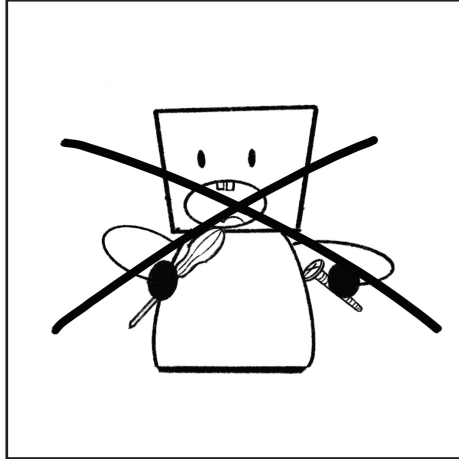
# Disclaimer

Use of this product constitutes acceptance of this disclaimer. Please read the following terms carefully:

- The product is guaranteed to be safe under normal use or foreseeable misuse.
- This furniture is designed for indoor household use only. Any improper modification, or use beyond the specified weight capacity (see product manual) shall void this disclaimer, and the manufacturer shall not be liable for any damage or injury arising therefrom.
- Regular wear and tear (e.g., fabric fading, minor hardware loosening) due to normal use is not considered a quality defect.
- The manufacturer shall not be responsible for damages caused by improper transportation, storage, or natural disasters (e.g., fire, earthquake).



Children should use this product only with adult supervision.



**DO NOT PLAY WITH OR  
SWALLOW SMALL PARTS**

#### **Weight Capacity:**

–Do not place items exceeding the maximum weight capacity of the product. (For the product’s weight capacity, please refer to the product link.)

#### **Usage Scenarios and Maintenance Methods**

- Do not place the product in a humid environment.
- Avoid direct exposure to high temperatures and keep it away from heat sources.
- Clean and maintain the product regularly.
- Place it on a flat surface. When moving is required, ensure that at least two people lift it together.

# Textile products

## Instructions for Use

(1) **Avoid direct sunlight:** Prolonged exposure to sunlight can cause fading and material aging. It is recommended to use curtains or sunshades for protection. **Do not** place the product in excessively humid areas to prevent mildew.

(2) **Use sharp objects with caution:** Keep sharp objects away from the textile to avoid scratches or snags.

(3) **Regular cleaning:** Vacuum or wash regularly according to the material and frequency of use to keep it clean. Avoid excessive washing to prevent accelerated aging of the textile.



## Notes

- **Avoid heavy pressure:** Do not place heavy objects on local areas for a long time to prevent deformation or damage to the product.
- **Keep away from chemicals:** Avoid contact with chemicals such as bleaches, strong acids, and strong alkalis to prevent corrosion or fading.
- When children use the textile product, they should do so under adult supervision to prevent children from accidentally covering their heads with the textile for a long time, which may cause suffocation.
- **Do not** use high-temperature drying after washing; use low-temperature drying or air-dry naturally.
- **Do not** clean with hard brushes or steel wool. After cleaning, avoid pulling or twisting it forcefully to prevent deformation.



## Maintenance Methods

- (1) **Local cleaning:** In case of stains, immediately pat and gently rub with a clean damp cloth, wiping from the edge to the center to prevent the stain from spreading.
- (2) **Deep cleaning:** Perform deep cleaning once every six months or a year. You can use professional cleaning services or special cleaners.
- (3) **Use protective covers:** Consider using protective covers for easy cleaning and replacement, which helps extend the product's service life.
- (4) **Keep away from heat sources:** Maintain a distance of at least 1 meter from heat sources such as radiators, heaters, and fireplaces, as high temperatures can damage the fibers of the textile.
- (5) **Air-dry in a cool place;** avoid direct sunlight to prevent hardening.
- (6) **Ensure the product is completely dry before storage,** and moisture absorbers can be placed (with it).
- (7) **Do not store under compression for a long time,** as this may damage the elasticity of the fibers.

## After-Sale Support

**Dear Customer,**

Thank you for choosing to purchase our products! We attach great importance to your shopping experience and hope to ensure that you are satisfied with this purchase.

Should you have any questions, please contact us through the original purchase platform. We will reply your messages as soon as possible, please kindly wait for the response from our team.

Thank you again for your understanding and support! If you have any other questions, please feel free to contact us at any time.

Best Regards,  
After sales service team