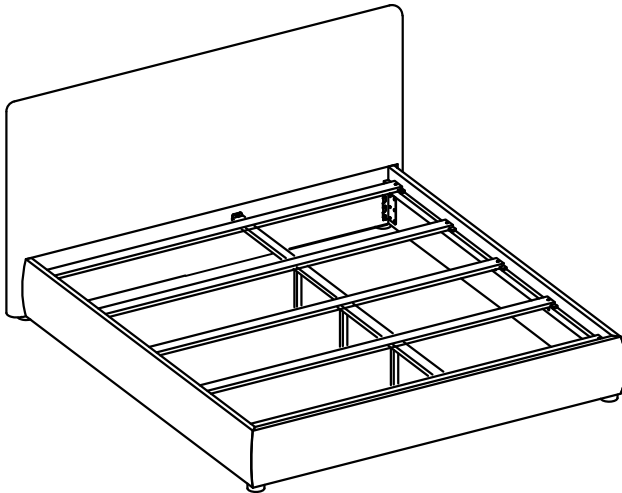


CALLAHAN TWIN BED

DESIGN # **SFV4801**

Assembly Instructions



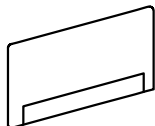
Thanks for bringing Safavieh Couture into your home

Every thing we make is incredibly simple to set up, including your new bed. You won't need any tools.

Parts List

A x 1

Headboard



B x 1

Siderail (Left)



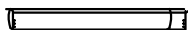
C x 1

Siderail (Right)



D x 1

Footboard



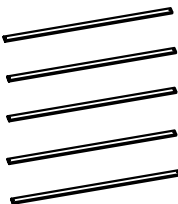
E x 1

Center Support Rails



F x 5

Slats



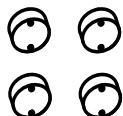
G x 3

Center Leg



H x 4

Bed Legs



Hardware List

HW 1 X 12
Bolt 5/16"



HW 2 = 12
Flat Washer 5/16"



HW 3 x 10
Screw M4 X 30mm



HW 4 x 8
Screw M4 X 50mm

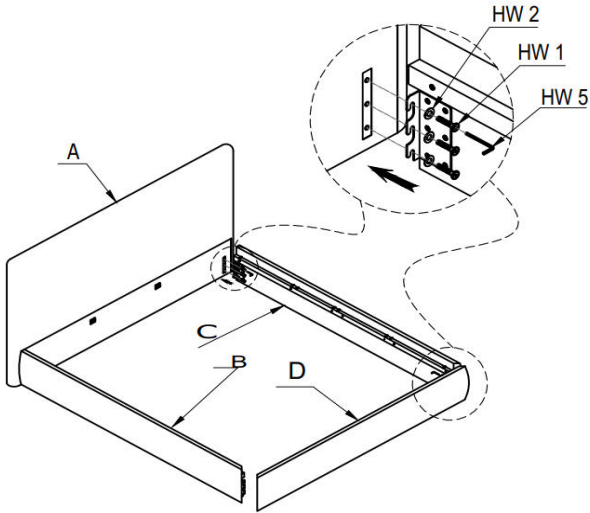


HW 5 X 1



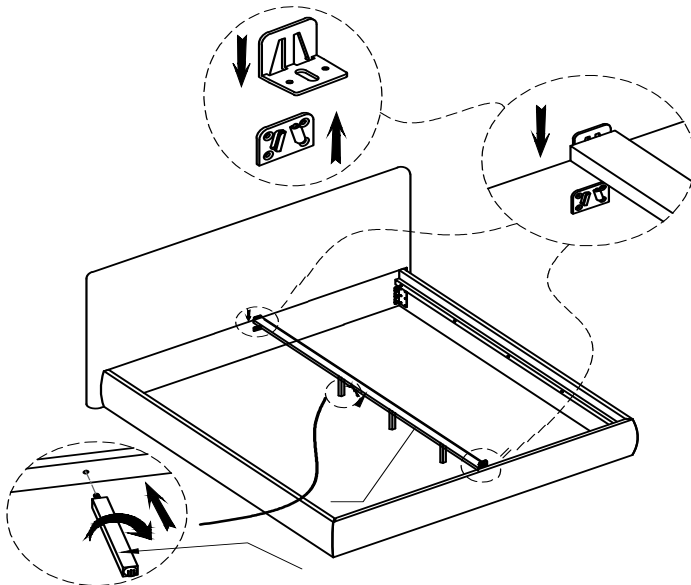
1 Assemble the Bed Frame

Attach the two side rails (B) and (C) to the headboard (A) using bolts HW1, washers HW2.
Attach the foot rail (D) to both side rails in the same manner.
Ensure all bolts are tightened securely.



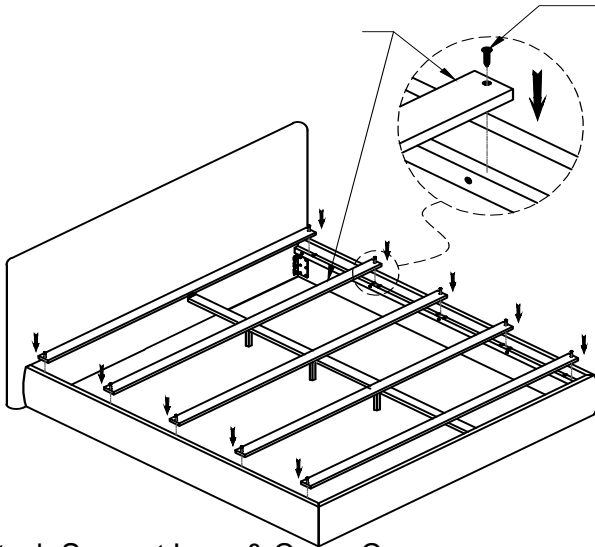
2 Install Center Support Bars

Attach the center legs (G) support bars (E)
Position the two center support bars (E) inside the bed frame.
Secure each end of the support bars into the metal brackets as shown.



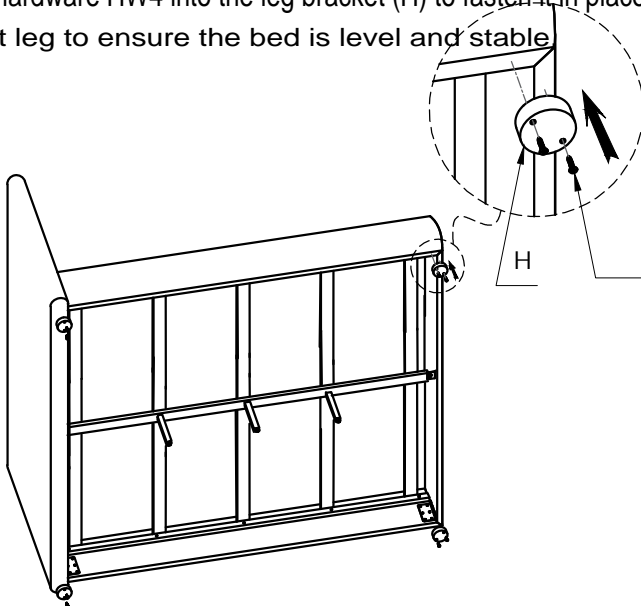
3 Install the Slats

Place the slats (F) evenly across the frame.
Use screws HW3 to fix each slat to the side rails.



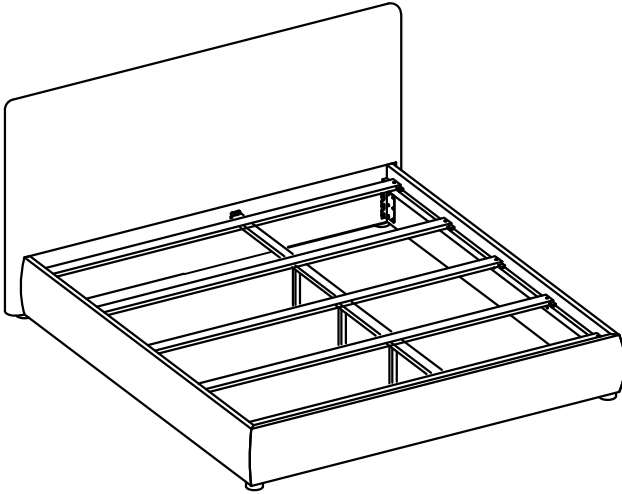
4 Attach Support Legs & Cover Caps

Attach legs (H) in to the headboard and Siderail by HW4
Secure hardware HW4 into the leg bracket (H) to fasten it in place. Adjust the support leg to ensure the bed is level and stable



5 COMPLETION

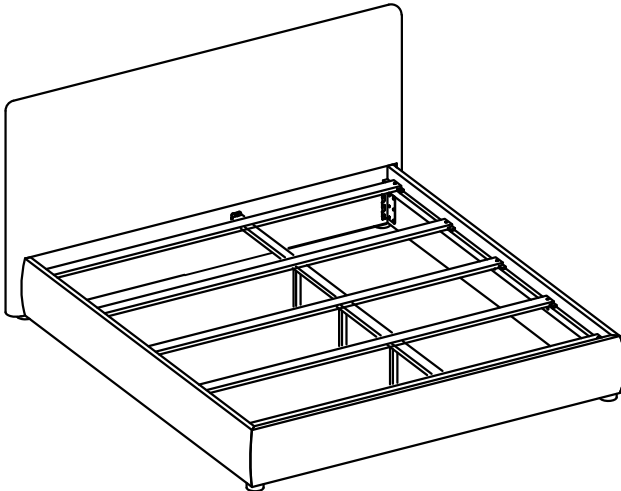
Your bed frame is now fully assembled and ready for use.
All required hardware has been provided; no additional tools are needed beyond the included Allen key.



6

Place the bed in the place where you will use it. We'd love to see it – just tag us (we're @safavieh) and use the hashtag #safavieh on Instagram!

@safavieh



Need help?

Feel free to contact us via email or call
if you have any specific questions !

contact us:

cs@safavieh.com

866-422-9070