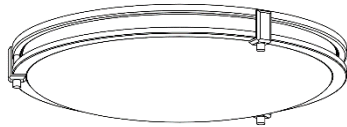
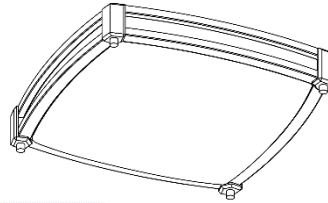


Juno Saturn LED Flush mount

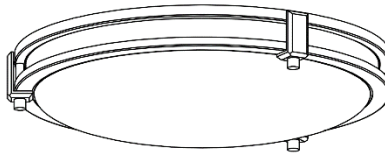
Installation Instructions



FMSATL 13IN RD



FMSATL 13IN SQ



FMSATL 16IN RD

FMSATL 13IN RD SWW5 90CRI 120

FMSATL 13IN SQ SWW5 90CRI 120

FMSATL 13IN RD SWW5 90CRI MVOLT

FMSATL 16IN RD SWW5 90CRI 120

FMSATL 16IN RD SWW5 90CRI MVOLT

FMSATL 13IN SQ SWW5 90CRI MVOLT

Visit www.acuitybrands.com/brands/lighting/juno to find complementary fixtures and much more.

- Customer Support
- Our Complete Product Catalog
- Product Instruction Sheets



READ AND FOLLOW ALL SAFETY INSTRUCTIONS!

⚠ SAVE THESE INSTRUCTIONS AND DELIVER TO OWNER AFTER INSTALLATION

Product Information: Juno Saturn flush mount may be used for UL listed junction boxes already installed in application. See Figure 1 for the compatible junction box's mounting hole dimensions.

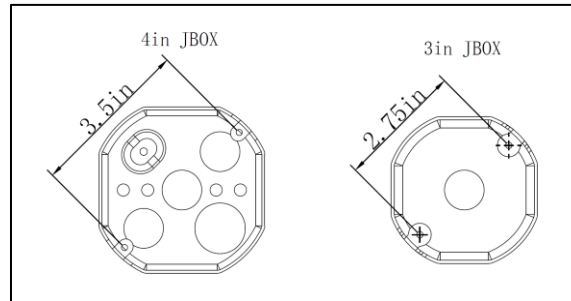


Figure 1

Product Contents: Each unit carton contains the following: 1 LED Juno Saturn light module, 1 mounting bracket, 3 wire nuts (P3H), 2 wire nuts (P1, for MVOLT only), 2 screws (8#32xT25.4mm), 1 screw (8#32xT12mm), and 1 nut(8#32x3.5mm). Check all contents prior to installation.

Required Tools (not included): Safety glasses, Philips screwdriver, ladder, and gloves.

Product Warning: Failure to follow any of these instructions could void product warranties. Changes or modifications to this unit not expressly approved by the party responsible for compliance could void the user's authority to operate the equipment. For a complete listing of product Terms and Conditions, please visit www.acuitybrands.com. Acuity Brands Lighting, Inc. assumes no responsibility for claims arising out of improper or careless installation or handling of its products.

LED IMPORTANT SAFETY INSTRUCTIONS

- To reduce the risk of death, personal injury, or property damage from fire, electric shock, falling parts, cuts/abrasions, and other hazards please read all warnings and instructions included with and on the fixture box and all fixture labels.
- Before installing, servicing, or performing routine maintenance upon this equipment, follow these general precautions.
- Installation and service of luminaires should be performed by a **qualified licensed electrician**.
- Maintenance of the luminaires should be performed by person(s) familiar with the luminaires' construction and operation and any hazards involved. Regular fixture maintenance programs are recommended.
- It will occasionally be necessary to clean the outside of the refractor/lens/trim. Frequency of cleaning will depend on ambient dirt level and minimum light output which is acceptable to user. Refractor/lens/trim should be washed in a solution of warm water and any mild, non-abrasive household detergent, rinsed with clean water and wiped dry. Should optical assembly become dirty on the inside, wipe refractor/lens and clean in above manner, replacing damaged gaskets as necessary.
- **DO NOT INSTALL DAMAGED PRODUCT!** This luminaire has been properly packed so that no parts should have been damaged during transit. Inspect to confirm. Any part damaged or broken during or after assembly should be replaced.
- Recycle: For information on how to recycle LED electronic products, please visit www.epa.gov.
- These instructions do not purport to cover all details or variations in equipment nor to provide every possible contingency to meet in connection with installation, operation, or maintenance. Should further information be desired, or should particular problems arise which are not covered sufficiently for the purchaser's or owner's purposes, this matter should be referred to Acuity Brands Lighting, Inc.



INSTALLATION INSTRUCTIONS

Juno Saturn Flush mount FMSATL – 13"-16"

• WARNING RISK OF ELECTRIC SHOCK

- Disconnect or turn off power before installation or servicing.
- Verify that supply voltage is correct by comparing it with the luminaire label information.
- Make all electrical and grounded connections in accordance with the National Electrical Code (NEC) and any applicable local code requirements.
- All wiring connections should be capped with UL approved recognized wire connectors.

• CAUTION RISK OF INJURY

- Wear gloves and safety glasses at all times when removing luminaire from carton, installing, servicing or performing maintenance.
- Avoid direct eye exposure to the light source while it is on.

• WARNING RISK OF BURN

- Allow lamp/fixture to cool before handling. Do not touch enclosure or light source.
- Do not exceed maximum wattage marked on luminaire label.
- Follow all manufacturer's warnings, recommendations, and restrictions for: driver type, burning position, mounting locations/methods, replacement and recycling.

• CAUTION RISK OF FIRE

- Keep combustible and other materials that can burn, away from lamp/lens.
- Do not operate in close proximity to persons, combustible materials or substances affected by heat or drying.

• CAUTION RISK OF PRODUCT DAMAGE

- Never connect components under load.
- Do not mount or support these fixtures in a manner that can cut the outer jacket or damage wire insulation.
- Never connect an LED product to an unapproved dimmer pack. Contact ABL directly for any dimmers not specifically recommended for the product.
- Unless individual product specifications deem otherwise: Allow for some volume of airspace around fixture. Avoid covering LED fixtures with insulation, foam, or other material that will prevent convection or conduction cooling.
- Unless individual product specifications deem otherwise: Maximum ambient temperature is 90°C. Do not operate fixture at temperatures higher than this.
- Unless individual product specifications deem otherwise: Never mount in places where fixture will be exposed to rain, high humidity, extreme temperature changes or restricted ventilation.
- LED products are Polarity Sensitive. Ensure proper Polarity before installation.
- Electrostatic Discharge (ESD): ESD can damage LED fixtures. Personal grounding equipment must be worn during all installation or servicing of the unit.
- Do not touch individual electrical components as this can cause ESD, shorten lamp life, or alter performance.
- There are no user serviceable parts inside the unit. Do not rewire, reconfigure, or modify the unit or attempt any repairs yourself. Additionally, field replacement of the LED assembly or lamps is not allowed by UL standards at this time. In the unlikely event your unit may require service, stop using the unit immediately and contact an ABL representative.
- Always read the fixtures complete installation instructions prior to installation for any additional fixture specific warnings.
- Verify that power distribution system has proper grounding. Lack of proper earth ground can lead to fixture failure and may void warranty.

• CAUTION RISK OF WIRING PRODUCT DAMAGE

- To prevent wiring damage or abrasion, do not expose wiring to edges of sheet metal or other sharp objects.

This equipment has been tested and found to comply with the limits for a Class B digital device, pursuant to part 15 of the FCC Rules. These limits are designed to provide reasonable protection against harmful interference in a residential installation. This equipment generates, uses, and can radiate radio frequency energy and, if not installed and used in accordance with the instructions, may cause harmful interference to radio communications. However, there is no guarantee that interference will not occur in a particular installation.

If this equipment does cause harmful interference to radio or television reception, which can be determined by turning the equipment off and on, the user is encouraged to try to correct the interference by one or more of the following measures:

- Reorient or relocate the receiving antenna.
- Increase the separation between the equipment and receiver.
- Connect the equipment into an outlet on a circuit different from that to which the receiver is connected.
- Consult the dealer or an experienced radio/TV technician for help.

All luminaires that contain electronic devices that generate frequencies above 9kHz from any component within the luminaire comply with one of the following Part 15 of the FCC Rules. Operation is subject to the following two conditions:

- (1) This device may not cause harmful interference.
- (2) This device must accept any interference received, including interference that may cause undesired operation.

INSTALLATION STEPS:

1. **Read the entirety of the Installation Instructions guide** before beginning to install the fixture. Make sure the **electrical power** to junction box is **turned off** at circuit breaker or fuse **before installation**.
2. Remove fixture components and parts pack from carton box, and check that Black, White, and Copper wires are extending from the back of fixture(MVOLT version will have Pink and Purple wires as well). Check that all parts are included, shown in *Figure 2* and *Table 1*.



Figure 2

Description	QTY
plastic bag	1
wire nut (P3H)	3
wire nut (P1) (For MVOLT version only)	2
8#32xT25mm screw	2
mounting bracket with 8#32xT12mm screw assembled	1
Nut 3.5mm	1

Table 1

3. **Before Installation:** On the backside of the fixture, find the switch for selecting the color temperature. **Choose Your Setting:** Position the switch to the desired LED color temperature: 2700K (soft); 3000K (warm); 3500K (neutral); 4000K (cool); 5000K (daylight). shown in *Figure 3*.

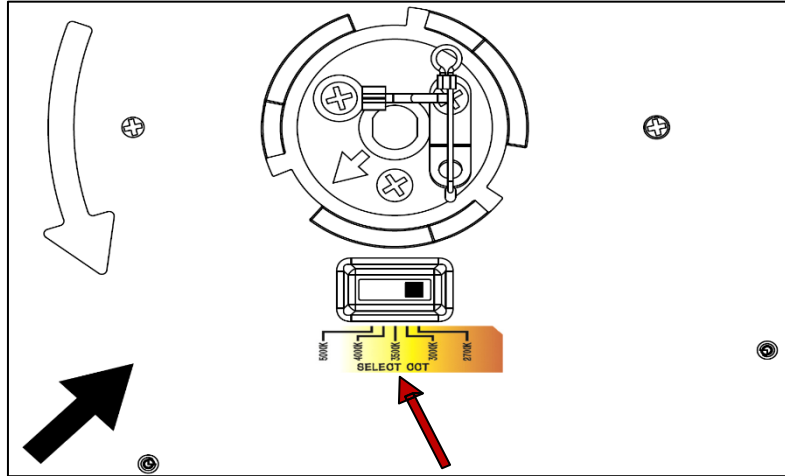


Figure 3

4. Use the provided #8 Screws to secure the Mounting Bracket flush to the ceiling by fastening them to the Junction Box. There are two mounting hole slots with diameters of 2.75 inches and 3.5 inches to accommodate different J box sizes. Ensure that the side of the mounting bracket with the text “THIS SIDE DOWN” faces the floor. If installing a **Square Saturn** fixture, use the **straight edges** of the mounting bracket to align it. To align a **square fixture** parallel to a particular **wall**, ensure that the straight edge of the bracket runs **parallel with the wall**, as shown in *Figure 4*.

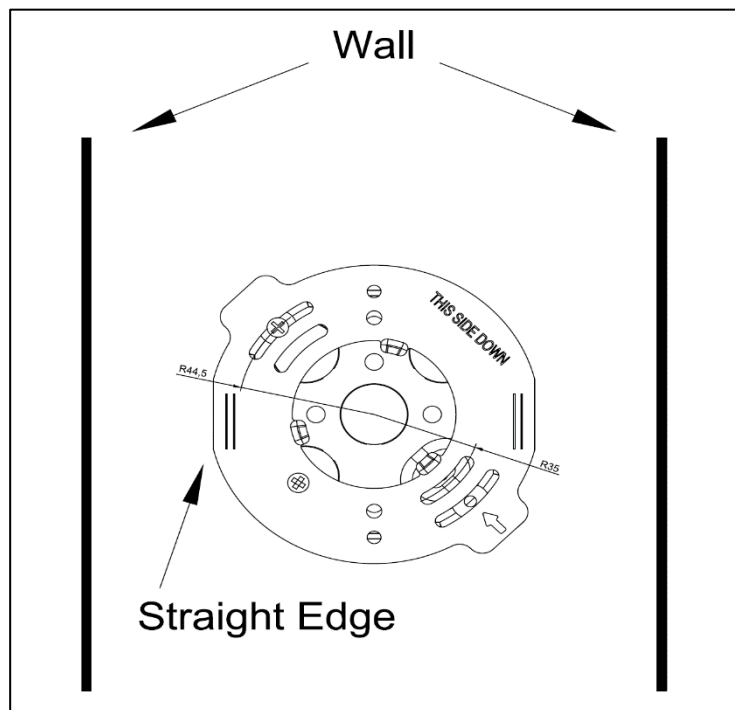


Figure 4

- After fastening the Mounting Plate to the Junction Box, attach the eyelet end of the safety Tether Cable at the provided 12mm screw location, then thread the tether eyelet through the top end of the 12mm screw and secure eyelet with the supplied nut by tightening it on top of the eyelet shown in *Figure 5*.

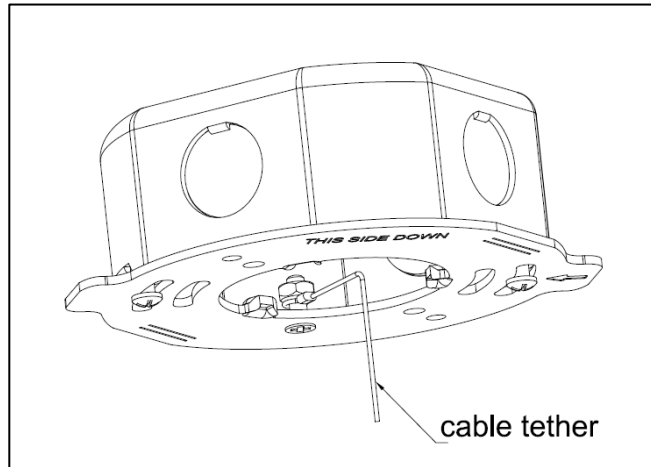


Figure 5

- Use Wire nuts** to connect :Black fixture wire to the Black power supply wire(Line) ; White fixture wire to the White power supply wire(Neutral), and the bare Copper ground wire from the fixture to the bare Copper ground wire from the Junction box. (If house wiring does not include a Ground wire, consult your local electrical code for approved grounding methods). **FOR PROPER CONNECTION, PLACE WIRENUT OVER WIRES, TWIST CLOCKWISE UNTIL TIGHT.** As shown in *Figure 6*.

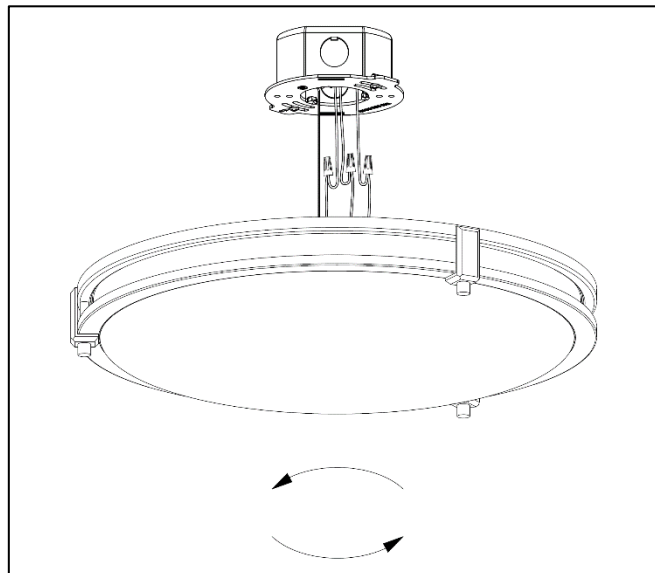


Figure 6

7. **For Fixture with 0-10V dimming (120 - 277V MVOLT driver only)**, use wire nuts to connect Purple dimmer wire from fixture (+) to positive (+) wire from dimmer and Pink dimmer wire (-) from fixture to negative (-) wire from dimmer. When no dimmer wires present ,cap off the Purple and Pink wires from fixture with wire nuts.
8. **Hold Fixture Assembly** in one hand and with the other hand position wires up and into junction box and make sure not to pinch wires.
9. **Align the straight arrow on the Mounting Puck** on Fixture Assembly **with the straight arrow on the Mounting Bracket**, as shown in *Figure 7 and Figure 6*. The Arrows on the Fixture and Mounting bracket **MUST** be aligned to install fixture properly.

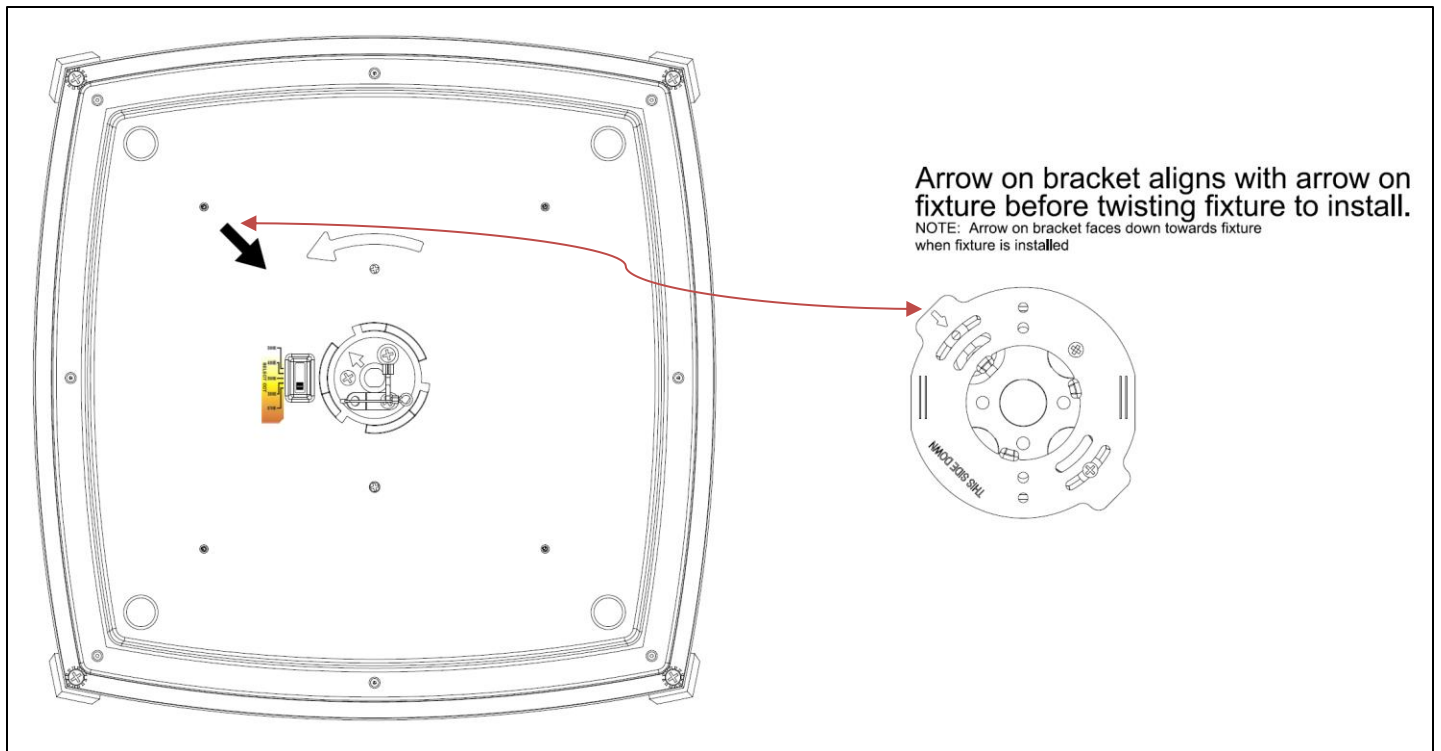


Figure 7

10. Secure the Fixture Assembly to the Mounting Bracket **by twisting the fixture CLOCKWISE while gently pushing it upward into the junction box**, shown in *Figure 8*. You should feel a slight “bump” to confirm that the fixture is locked into place. The fixture must be rotated clockwise 90 degrees from Arrow alignment to fully installation. If aligning with a Square Saturn, the installer will have a little extra tolerance to adjust the alignment of the fixture after feeling the “bump”. If Junction Box protrudes from the ceiling, there may be gap between fixture and ceiling.

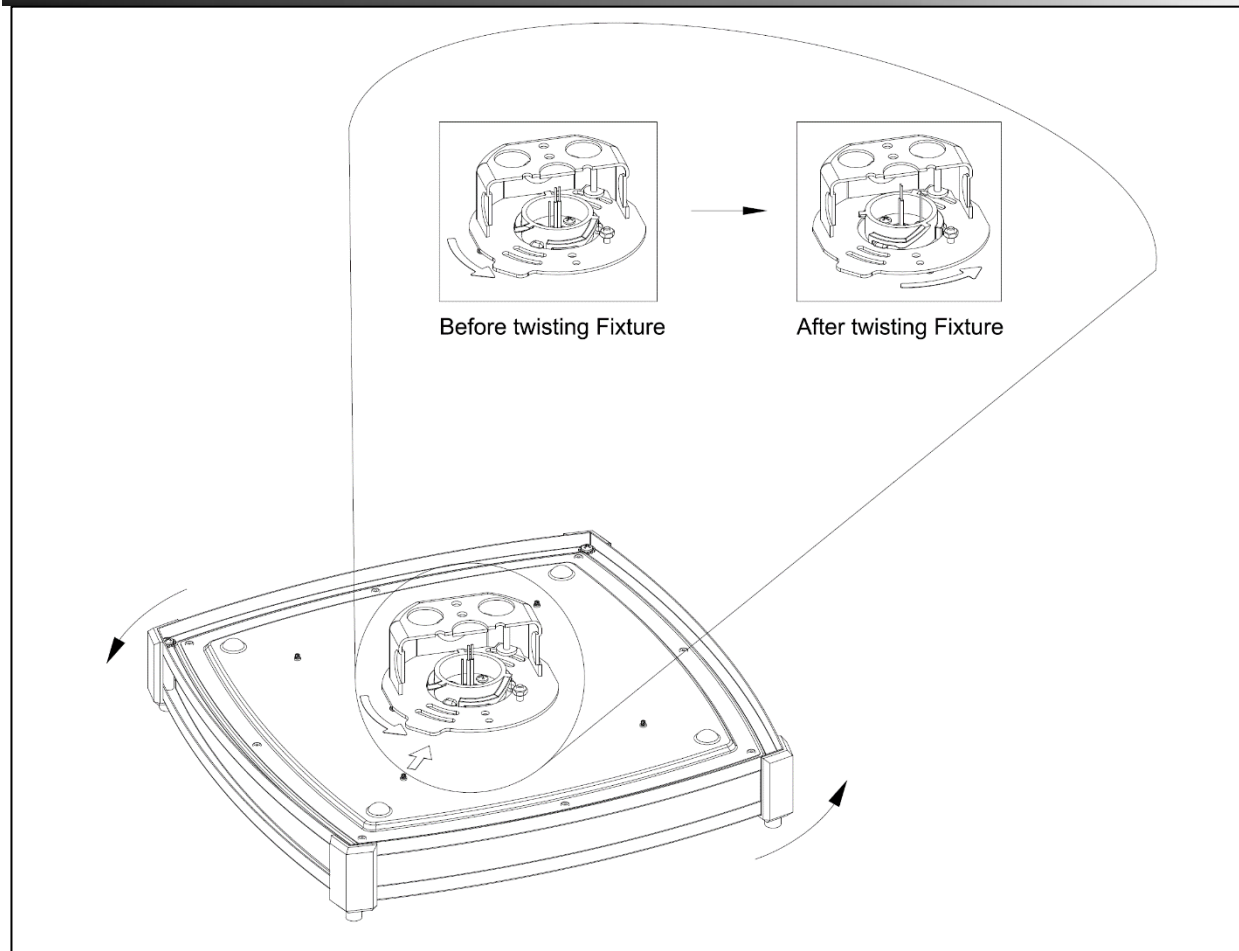


Figure 8

11. **Turn on electricity** at fuse or circuit breaker box and verify success of installation.

TROUBLE SHOOTING GUIDE

If this fixture fails to operate properly, use the guide below to diagnose and correct the problem.

- Verify that fixture is wired properly.
- Verify that fixture is grounded correctly.
- The line voltage at the fixture is correct.

If further assistance is required, contact:

Technical Support at: (800) 705-7378

This LED light provides low maintenance service with no bulbs to change.



INSTALLATION INSTRUCTIONS

Juno Saturn Flush mount FMSATL – 13"-16"

Suggested Dimmers

For suggested dimmers, see the notes below.

1. 120-volt driver is dimmable with the use of most incandescent, magnetic low voltage and electronic low voltage wall box dimmers.
2. Universal voltage driver is dimmable with the use of most 0-10V wall box dimmers. See electrical schematic of the dimmer or consult local electrician to connect fixture as wire connections may be different.
3. For a list of compatible dimmers, see JUNOSATURN-DIM

NOTE: See spec sheet for recommended dimmers. Dimmers that are not listed on spec sheet do not imply non-compatibility.

Compatible Junction Box Sizes

- 3" and 4" octagonal (metal or plastic) , Juno IC1JB 4" Junction Box
- ** 1 1/2" minimum deep junction box required for installation
- ** 3" minimum diameter of clearance space in junction box for installation

Fixture Notes

Voltage Requirements:

120V fixtures must connect to a nominal 120V, 60Hz power source.
120-277V fixtures require a nominal 120-277V, 60Hz power source.
Any other connection voids the warranty.

Junction Box Installation:

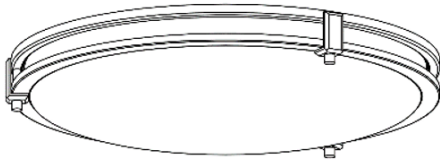
Connect the fixture to a properly installed and grounded UL-listed junction box (not provided).
Follow NEC and local building codes during installation.

Suitable Locations:

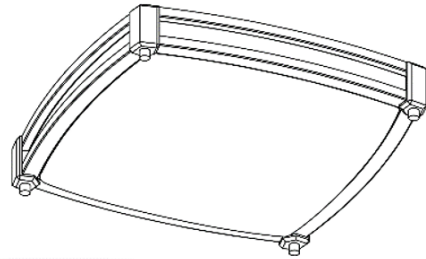
These products are suitable for installation in damp locations only.

Juno Saturn Montaje empotrado LED

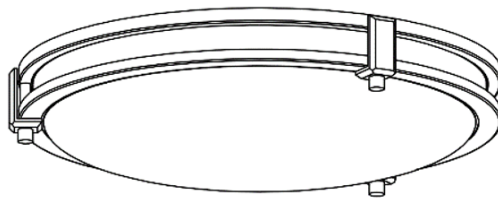
Instrucciones de instalación



FMSATL 13IN RD



FMSATL 13IN SQ



FMSATL 16IN RD

FMSATL 13IN RD SWW5 90CRI 120

FMSATL 13IN SQ SWW5 90CRI 120

FMSATL 13IN RD SWW5 90CRI MVOLT

FMSATL 16IN RD SWW5 90CRI 120

FMSATL 16IN RD SWW5 90CRI MVOLT

FMSATL 13IN SQ SWW5 90CRI MVOLT

Visite www.acuitybrands.com/brands/lighting/juno para encontrar accesorios complementarios y mucho más.

- Atención al cliente
- Nuestro catálogo completo de productos
- Hojas de instrucciones de productos



LEA Y SIGA TODAS LAS INSTRUCCIONES DE SEGURIDAD.

▲ GUARDE ESTAS INSTRUCCIONES Y ENTRÉGUELAS AL PROPIETARIO DESPUÉS DE LA INSTALACIÓN.

Información del producto: El montaje empotrado Juno Saturn se puede utilizar para cajas de conexiones homologadas por UL ya instaladas en la aplicación. Consulte la *Figura 1* para conocer las dimensiones de los orificios de montaje de la caja de conexiones compatible.

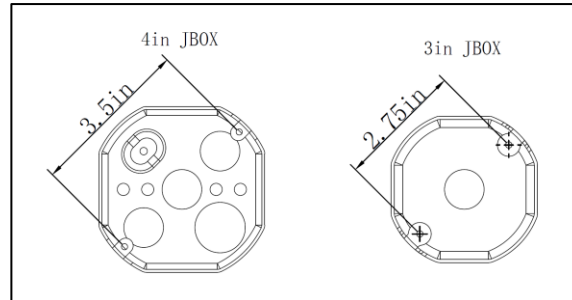


Figura 1

Contenido del producto: La caja de cada unidad contiene lo siguiente: 1 módulo de luz LED Juno Saturn, 1 soporte de montaje, 3 tuercas para cables (P3H), 2 tuercas para cables (P1, solo para MVOLT), 2 tornillos cada uno (8#32xT25.4mm), 1 tornillo (8#32xT12mm) y 1 tuerca (8#32x3,5mm). Verifique todo el contenido antes de la instalación.

Herramientas requeridas (no incluidas): Gafas de seguridad, destornillador Philips, escalera y guantes..

Advertencia del producto: El incumplimiento de cualquiera de estas instrucciones podría anular las garantías del producto. Los cambios o modificaciones a esta unidad que no estén aprobados expresamente por la parte responsable del cumplimiento podrían anular la autoridad del usuario para operar el equipo. Para obtener una lista completa de los términos y condiciones del producto, visite www.acuitybrands.com. Acuity Brands Lighting, Inc. no asume ninguna responsabilidad por reclamos que surjan de una instalación o manejo inadecuado o descuidado de sus productos.

INSTRUCCIONES DE SEGURIDAD IMPORTANTES SOBRE EL LED

- Para reducir el riesgo de muerte, lesiones personales o daño a la propiedad que pueda surgir de incendios, choques eléctricos, cortes, abrasiones, caída de partes y otros peligros lea todas las advertencias e instrucciones incluidas en la caja o su interior, además de las etiquetas del montaje.
- Antes de instalar, revisar o realizar el mantenimiento de rutina del equipo, siga estas precauciones generales.
- La instalación y el mantenimiento de las luminarias lo debe realizar un electricista calificado autorizado.
- El mantenimiento de las luminarias lo debe realizar una persona familiarizada con la fabricación y el funcionamiento de este producto así como con los peligros relacionados con este. Se recomienda realizar el mantenimiento regular de los montajes.
- Cada tanto será necesario limpiar la parte externa del reflector y de la lente. La frecuencia de la limpieza dependerá del nivel de polvo del ambiente y de la potencia de la luz mínima aceptable para el usuario. El reflector/la lente se debe lavar con una solución de agua tibia y detergente de uso doméstico suave no abrasivo, enjuagar con agua limpia y secar. Si el montaje óptico se ensuciará por dentro, limpie el reflector o la lente como se indicó anteriormente; de ser necesario, reemplace las juntas dañadas.
- **NO INSTALE EL PRODUCTO SI ESTÁ DAÑADO** Esta luminaria se embolsó adecuadamente de modo tal que las piezas no resulten dañadas durante su transporte. Inspecciónelas para confirmarlo. Reemplace toda pieza que se dañe o rompa durante su montaje o posterior a este.
- Reciclado: Para obtener información sobre cómo reciclar productos electrónicos LED, visite www.epa.gov.
- Estas instrucciones no pretenden cubrir todos los detalles o las variaciones de los equipos ni abarcar todas las posibles eventualidades relacionadas con la instalación, el funcionamiento o el mantenimiento. Si necesita más información o surgen problemas específicos que no están debidamente cubiertos en la información del producto, remítase a Acuity Brands Lighting, Inc.

• **ADVERTENCIA: RIESGO DE DESCARGA ELÉCTRICA**

- Desconecte o interrumpa el suministro eléctrico antes de realizar la instalación o de efectuar reparaciones.
- Compare el voltaje de alimentación con la información de la etiqueta de la luminaria para verificar que sea el correcto.
- Realice todas las conexiones eléctricas y a tierra de acuerdo con los requisitos del Código Eléctrico Nacional (NEC) y todos los códigos locales aplicables.
- Todas las conexiones del cableado deben cubrirse con conectores para cables reconocidos y aprobados por UL.

• **PRECAUCIÓN: RIESGO DE LESIONES**

- Use guantes y gafas de seguridad en todo momento cuando quite la luminaria de la caja o cuando la instale, la repare o realice tareas de mantenimiento.
- Cuando la luz esté encendida, evite la exposición directa de los ojos a la fuente de luz.

• **ADVERTENCIA: RIESGO DE QUEMADURAS**

- Antes de manipular la lámpara o la luminaria, déjelas enfriar. No toque la carcasa ni la fuente de iluminación.
- No supere el voltaje máximo señalado en la etiqueta de la luminaria.
- Siga todas las advertencias, recomendaciones y restricciones del fabricante en relación con el tipo de circuito controlador, la posición de funcionamiento, las ubicaciones y los métodos de montaje, los reemplazos y el reciclado.

• **PRECAUCIÓN: RIESGO DE INCENDIO**

- Mantenga lejos de la lámpara o del lente los materiales combustibles o de otro tipo que puedan arder.
- No haga funcionar la luminaria cerca de personas, materiales combustibles o sustancias sensibles al calor o a la desecación.

• **PRECAUCIÓN: RIESGO DE DAÑO PARA EL PRODUCTO**

- Nunca conecte componentes cuando están bajo carga.
- No monte ni sujete estos accesorios de manera que se pueda cortar el revestimiento exterior o dañar el aislamiento de los cables.
- Jamás conecte un producto de led a un paquete de atenuación de intensidad de la luz que no esté aprobado. Contacte a ABL directamente para consultar sobre cualquier atenuador que no esté específicamente recomendado para el producto.
- A menos que las especificaciones particulares del producto indiquen lo contrario, deje un poco de espacio libre alrededor de los accesorios. Evite cubrir las luminarias led con material aislante, espuma u otro material que impida el enfriamiento por convección o conducción.
- A menos que las especificaciones particulares del producto indiquen lo contrario, la temperatura ambiente máxima debe ser de 90 °C. No haga funcionar la luminaria a temperaturas más elevadas que esta.
- A menos que las especificaciones particulares del producto indiquen lo contrario, jamás instale las luminarias en lugares donde queden expuestas a la lluvia, un alto nivel de humedad, los cambios extremos de temperatura o una ventilación limitada.
- Los productos de led son sensibles a la polaridad. Asegúrese de que la polaridad sea la adecuada antes de la instalación.
- Descarga electrostática (ESD): la ESD puede dañar las luminarias led. Se debe usar equipamiento personal de conexión a tierra durante todos los procedimientos de instalación o mantenimiento de la unidad.
- No toque los componentes eléctricos individuales, ya que esto puede causar una ESD, acortar la vida útil de la lámpara o alterar el rendimiento.
- La unidad no contiene piezas que el usuario pueda reparar. No modifique los cables de la unidad ni la vuelva a configurar. Tampoco la modifique ni intente repararla usted mismo. Además, en este momento los estándares de UL no permiten el reemplazo en campo del montaje de leds o sus lámparas. En el caso improbable de que su unidad requiera reparación, deje de usar la unidad inmediatamente y comuníquese con un representante de ABL.
- Lea siempre las instrucciones completas de instalación de las luminarias antes de su instalación para verificar si hay advertencias específicas adicionales para cada accesorio.
- Verifique que el sistema de distribución de energía eléctrica tenga una conexión a tierra adecuada. La falta de una toma a tierra adecuada puede conducir a una falla de la lámpara y podría anular la garantía.

▪ **PRECAUCIÓN: RIESGO DE DAÑO PARA EL PRODUCTO**

- Para evitar el daño o el desgaste del cableado, no lo exponga a bordes de láminas de metal u otro tipo de objetos filosos.

Este equipo fue probado y se comprobó que cumple con los límites de un dispositivo digital clase B, de conformidad con la parte 15 de las reglas de la FCC. Estos límites se elaboraron para proporcionar protección razonable contra interferencia perjudicial al utilizarse en una instalación residencial. Este equipo genera, utiliza y puede irradiar energía de radiofrecuencia y, de no instalarse y utilizarse de acuerdo con las instrucciones, puede provocar interferencia perjudicial en las comunicaciones de radio. Sin embargo, no se puede garantizar que no se produzcan interferencias en una instalación en particular.

Si este equipo ocasionara interferencias perjudiciales para la recepción de las señales de radio o televisión, las que pueden detectarse encendiendo y apagando el equipo, el usuario debe intentar corregirlas por medio de una o más de las siguientes medidas:

- Orientar la antena receptora en otra dirección o ubicarla en otro sitio.
- Aumentar la separación entre el equipo y el receptor.
- Conectar el equipo a una toma de corriente de un circuito diferente de aquel al que esté conectado el receptor.
- Solicitar ayuda al comerciante o a un técnico experto en radio/TV.

Todas las luminarias que contienen dispositivos eléctricos que generan frecuencias superiores a 9 kHz desde cualquier componente de la luminaria cumplen una de las reglas de la parte 15 de la Comisión Federal de Comunicaciones (FCC). El funcionamiento está sujeto a las siguientes dos condiciones:

- (1) Este dispositivo no puede ocasionar interferencias perjudiciales.
- (2) Este dispositivo debe aceptar cualquier interferencia recibida, incluso aquellas que puedan ocasionar un mal funcionamiento.

PASOS DE LA INSTALACIÓN:

1. **Lea la guía de Instrucciones de instalación** en su totalidad antes de comenzar a instalar el dispositivo. Asegúrese de que la **energía eléctrica** a la caja de conexiones esté apagada en el disyuntor o fusible **antes de la instalación**.
2. Retire los componentes del dispositivo y el paquete de piezas de la caja de cartón y verifique que los cables negro, blanco y cobre se extiendan desde la parte posterior del dispositivo (la versión MVOLT también tendrá cables rosa y morado). Verifique que todas las piezas estén incluidas, como se muestra en la *Figura 2* y la *Tabla 1*.



Figura 2

Descripción	CANTIDAD
Bolsa de plástico	1
Tuerca para cables (P3H)	3
Tuerca para cables (P1) (solo para la versión MVOLT)	2
Tornillo 8#32xT25mm	2
Soporte de montaje con tornillo 8#32xT12mm ensamblado 1	1
Tuerca 3.5 mm	1

Tabla 1

- Antes de la instalación:** en la parte posterior del dispositivo, busque el interruptor para seleccionar la temperatura del color. **Elija su configuración:** coloque el interruptor en la temperatura de color LED deseada: 2700 K (suave); 3000 K (cálido); 3500 K (neutral); 4000 K (frío); 5000 K (luz diurna). se muestra en la *Figura 3*.

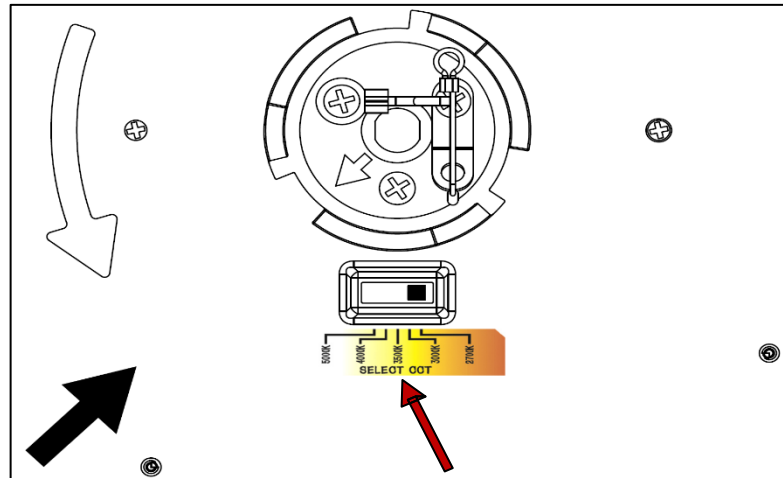


Figura 3

- Utilice los tornillos #8 proporcionados para asegurar el soporte de montaje al ras del techo fijándolos a la caja de conexiones. Hay dos ranuras para orificios de montaje con diámetros de **2.75 pulgadas** y **3.5 pulgadas** para adaptarse a diferentes tamaños de cajas J. Asegúrese de que el lado del soporte de montaje con el texto "**ESTE LADO ABAJO**" mire hacia el piso. Si instala una luminaria **Square Saturn**, utilice los bordes rectos del soporte de montaje para alinearlos. Para alinear un accesorio cuadrado paralelo a una pared en particular, asegúrese de que el borde recto del soporte quede paralelo a la pared, como se muestra en la *Figura 4*.

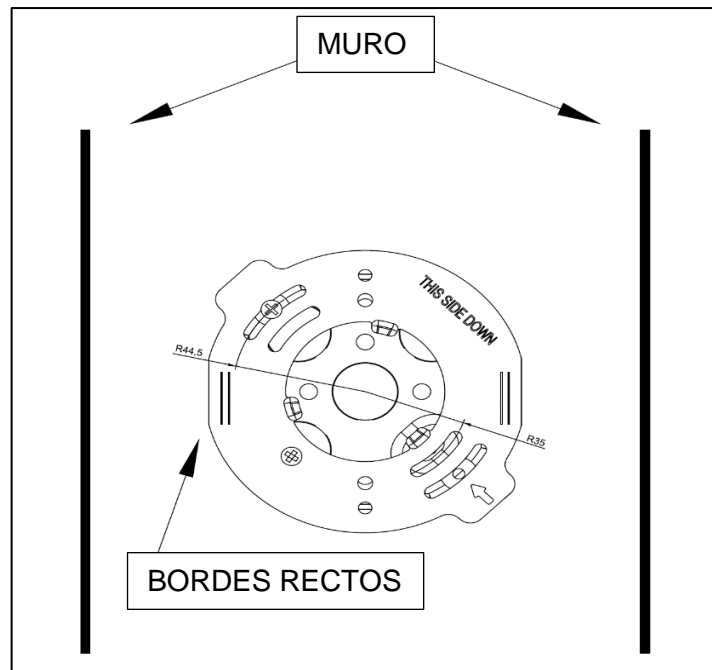


Figura 4

- Después de fijar la placa de montaje a la caja de conexiones, conecte el extremo del ojal del cable de seguridad en la ubicación del tornillo de 12 mm proporcionada, luego pase el ojal de la correa a través del extremo superior del tornillo de 12 mm y asegure el ojal con la tuerca suministrada apretando colóquelo encima del ojal que se muestra en la *Figura 5*.

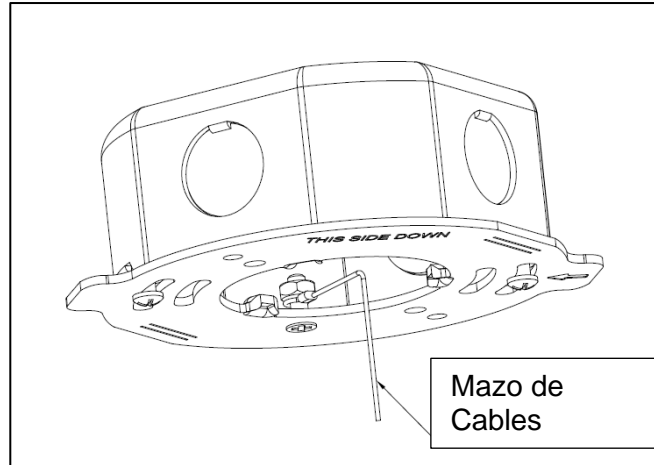


Figura 5

- Utilice tuercas para cables para conectar: el cable negro del dispositivo al cable negro de fuente de alimentación (línea); El cable blanco del dispositivo al cable blanco de suministro de energía (neutro) y el cable de tierra de cobre desnudo del dispositivo al cable de tierra de cobre desnudo de la caja de conexiones. (Si el cableado de la casa no incluye un cable de tierra, consulte el código eléctrico local para conocer los métodos de conexión a tierra aprobados). **PARA UNA CONEXIÓN CORRECTA, COLOQUE LA TUERCA SOBRE LOS CABLES, GÍRELA EN EL SENTIDO DE LAS HORARIOS HASTA QUE APRIETE.** Como se muestra en la *Figura 6*.

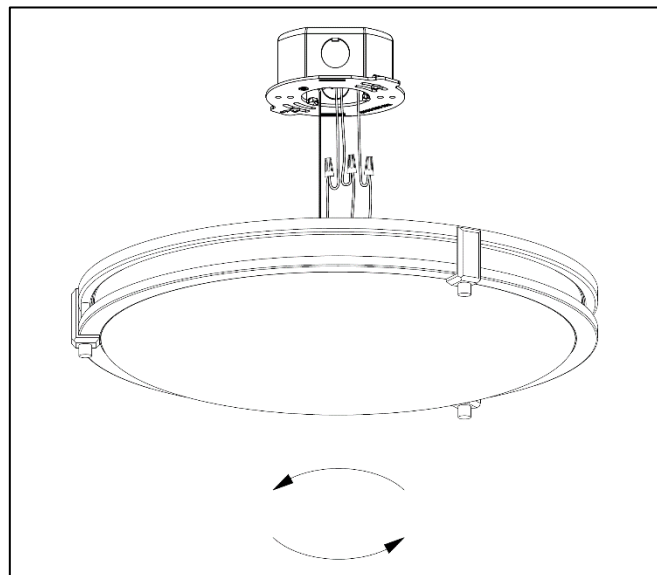


Figura 6

7. **Para dispositivos con atenuación de 0-10 V (solo controlador MVOLT de 120 - 277 V)**, use tuercas para cables para conectar el cable violeta del atenuador del dispositivo (+) al cable positivo (+) del atenuador y el cable rosa del atenuador (-) del dispositivo al negativo. (-) cable del atenuador. Cuando no haya cables del atenuador, tape los cables morado y rosa del dispositivo con tuercas para cables.
8. **Sostenga el conjunto del accesorio** con una mano y con la otra coloque los cables hacia arriba y dentro de la caja de conexiones y asegúrese de no pellizcar los cables.
9. Alinee la flecha recta en el disco de montaje en el conjunto del dispositivo con la flecha recta en el soporte de montaje, como se muestra en la *Figura 7* y la *Figura 6*. Las flechas en el dispositivo y el soporte de montaje **DEBEN** estar alineadas para instalar el dispositivo correctamente..

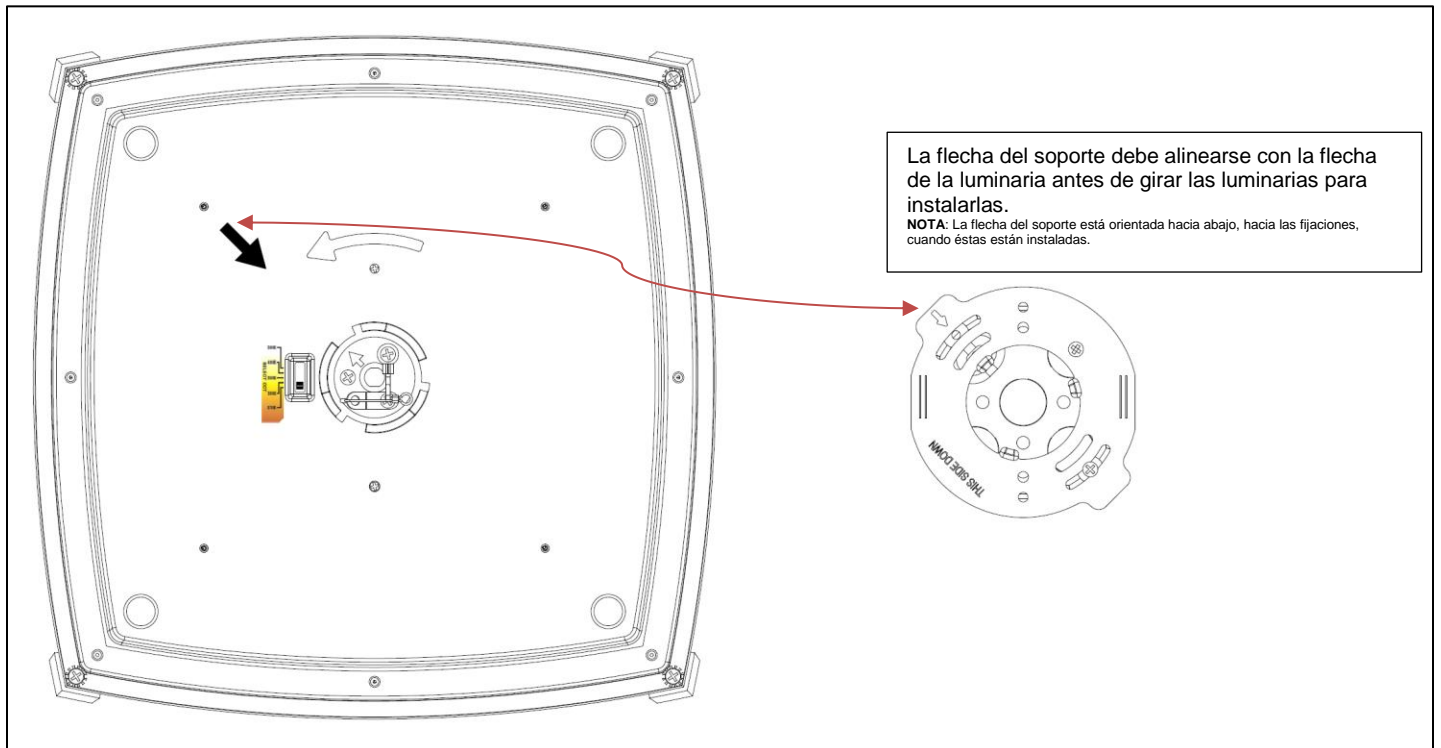


Figura 7

10. Asegure el conjunto del dispositivo al soporte de montaje **girando el dispositivo en sentido HORARIO mientras lo empuja suavemente hacia arriba en la caja de conexiones, como se muestra en la Figura 8**. Debería sentir un ligero "golpe" para confirmar que el dispositivo está bloqueado en su lugar. El dispositivo debe girarse 90 grados en el sentido de las agujas del reloj desde la alineación de la flecha hasta su instalación completa. Si se alinea con un Saturno cuadrado, el instalador tendrá un poco más de tolerancia para ajustar la alineación del dispositivo después de sentir el "golpe". Si la caja de conexiones sobresale del techo, es posible que haya un espacio entre la lámpara y el techo.

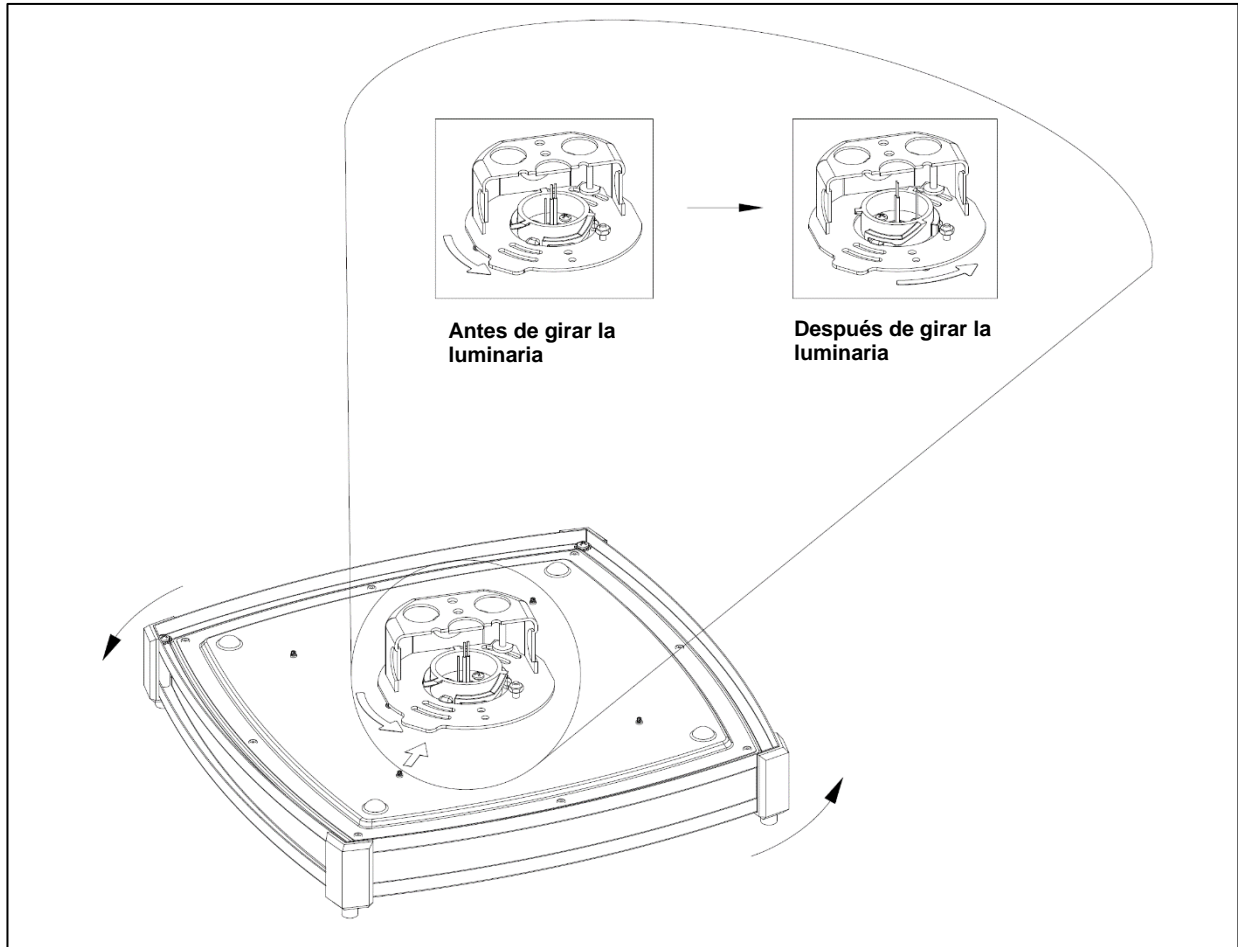


Figura 8

11. **Active la electricidad** en la caja de fusibles o el disyuntor, y verifique que la luminaria funcione correctamente.



GUÍA DE RESOLUCIÓN DE PROBLEMAS

Si la luminaria no funciona adecuadamente, utilice la guía que aparece a continuación para determinar cuál es el problema y solucionarlo.

- A) Verifique que la luminaria esté conectada correctamente.
- B) Verifique que la luminaria esté conectada a tierra de manera adecuada.
- C) Que la línea de voltaje de la luminaria sea la correcta.

Si necesita obtener más ayuda, comuníquese con:

Soporte técnico al (800) 705-7378

Esta luz led proporciona un servicio de bajo mantenimiento sin tener que cambiar bombillas.

Atenuadores recomendados

Para conocer los atenuadores sugeridos, consulte las notas a continuación.

1. El controlador de 120 voltios se puede atenuar con la mayoría de los atenuadores de caja de pared incandescentes, magnéticos de bajo voltaje y electrónicos de bajo voltaje.
2. El controlador de tensión universal se puede atenuar con la mayoría de los atenuadores de caja de pared de 0 a 10 V. Vea el esquema eléctrico del atenuador o consulte a un electricista local sobre cómo conectar la luminaria, ya que las conexiones de cables pueden ser diferentes.
3. Para obtener una lista de atenuadores compatibles, consulte JUNOSLIMFORM-DIM.

NOTA: Consulte la hoja de especificaciones de los atenuadores recomendados. Los atenuadores que no se incluyen en la lista no son necesariamente incompatibles.

Tamaños de caja de conexión compatibles

- 3" y 4" octogonales (metal o plástico) , Juno IC1JB 4» Caja de conexiones
- ** Se requiere una caja de conexiones de 1 1/2» de profundidad mínima para la instalación
- ** 3" de diámetro mínimo de espacio libre en la caja de conexiones para la instalación

Notas sobre el equipo

Requisitos de tensión:

El equipo de 120 v se debe conectar a una fuente de energía nominal de 120 voltios, 60 Hz.

El equipo de 120 a 277 v se debe conectar a una fuente de energía nominal de 120 a 277 voltios, 60 Hz.

Cualquier otro tipo de conexión anulará la garantía.

Instalación de la caja de conexiones:

Esta luminaria ha sido diseñada para conectarse a una caja de conexión aprobada por UL debidamente instalada y puesta a tierra (no incluida), y se debe instalar de acuerdo con el Código Eléctrico Nacional (NEC) y los códigos de edificación locales.

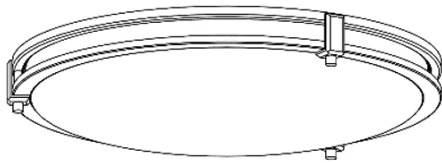
Lugares adecuados:

Estos productos sólo pueden instalarse en lugares húmedos.

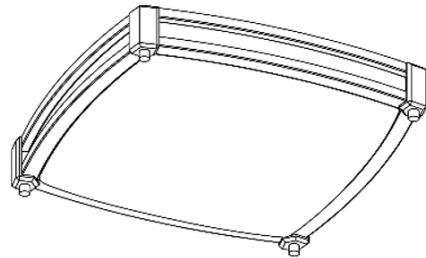
Juno Saturn

Plafonnier LED

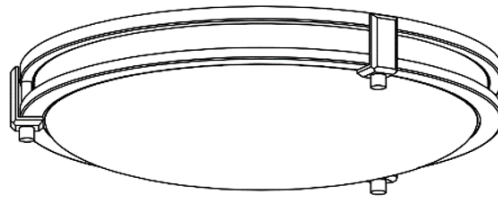
Instructions d'installation



FMSATL 13IN RD



FMSATL 13IN SQ



FMSATL 16IN RD

FMSATL 13IN RD SWW5 90CRI 120

FMSATL 13IN SQ SWW5 90CRI 120

FMSATL 13IN RD SWW5 90CRI MVOLT

FMSATL 16IN RD SWW5 90CRI 120

FMSATL 16IN RD SWW5 90CRI MVOLT

FMSATL 13IN SQ SWW5 90CRI MVOLT

Rendez-vous sur www.acuitybrands.com/brands/lighting/juno pour découvrir des accessoires complémentaires et bien plus encore.

- Soutien à la clientèle
- Notre catalogue de produits complet
- Fiches d'instructions du produit



VEUILLEZ LIRE ET RESPECTER TOUTES LES INSTRUCTIONS DE SÉCURITÉ!

CONSERVER CES INSTRUCTIONS ET LES REMETTRE AU PROPRIÉTAIRE APRÈS

L'INSTALLATION

Informations sur le produit : Le montage encastré Juno Saturn peut être utilisé pour les boîtes de jonction homologuées UL déjà installées dans l'application. Voir la *Figure 1* pour les dimensions des trous de montage de la boîte de jonction compatible.

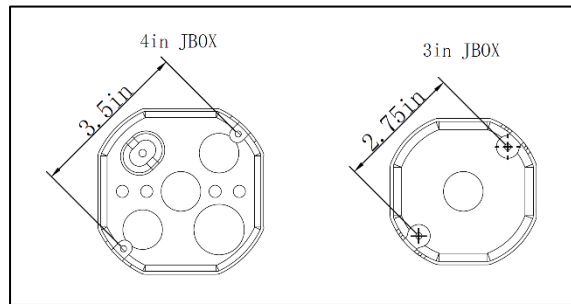


Figure 1

Contenu du produit : Chaque carton contient les éléments suivants : 1 module d'éclairage LED Juno Saturn, 1 support de montage, 3 écrous (P3H), 2 écrous (P1, pour MVOLT uniquement), 2 vis (8#32xT25,4mm), 1 vis (8#32xT12mm) et 1 écrou (8#32x3,5mm). Vérifier tout le contenu avant l'installation.

Outils nécessaires (non inclus) : Lunettes de protection, tournevis, échelle et gants.

Mise en garde concernant le produit : Le non-respect de ces instructions pourrait annuler les garanties du produit. Toute modification effectuée sur cet appareil sans l'approbation de la partie responsable de la conformité pourrait annuler l'autorisation qu'a l'utilisateur d'utiliser ledit appareil. Pour consulter la liste complète des conditions d'utilisation du produit, veuillez vous rendre sur www.acuitybrands.com. Acuity Brands Lighting, Inc. décline toute responsabilité pour les réclamations résultant d'installation ou de manipulation incorrecte ou imprudente de ses produits.

INSTRUCTIONS DE SÉCURITÉ IMPORTANTES RELATIVES AUX LUMINAIRES LED

- Afin de réduire les risques de blessure, d'accident mortel ou de dommage matériel en raison d'un incendie, d'électrocution, de chute de pièces, de coupure ou d'abrasion ou de tout autre type de risque, il est essentiel de lire toutes les instructions et tous les avertissements compris dans et sur la boîte du luminaire ainsi que sur toutes les étiquettes.
- Avant l'installation ou l'entretien particulier ou de routine de cet équipement, tenir compte de ces précautions générales.
- L'installation, l'entretien et les réparations des luminaires ne devraient être effectués que par **un électricien diplômé et qualifié**.
- L'entretien doit être effectué par des personnes qui connaissent bien la fabrication et l'utilisation des luminaires et tous les risques associés. Il est recommandé de mettre en place des programmes d'entretien régulier du luminaire.
- À l'occasion, il sera nécessaire de nettoyer la partie extérieure du réflecteur, de la lentille ou de la garniture. La fréquence du nettoyage dépend de la saleté présente dans l'environnement et du rendement lumineux minimal acceptable pour l'utilisateur. Le réflecteur, la lentille et la garniture doivent être lavés dans une solution d'eau tiède avec un détergent ménager doux et non abrasif, rincés à l'eau claire, puis essuyés avant d'être séchés. En cas d'accumulation de saleté à l'intérieur de l'assemblage optique, essuyer le réflecteur ou la lentille et nettoyer comme indiqué ci-dessus, en remplaçant les joints endommagés au besoin.
- **N'INSTALLER AUCUN PRODUIT ENDOMMAGÉ!** Ce luminaire a été adéquatement emballé, de sorte qu'aucune pièce ne devrait avoir subi de dommage pendant le transport. Inspecter toutes les pièces pour s'assurer de leur intégrité. Toute pièce endommagée ou brisée pendant ou après l'assemblage doit être remplacée.
- Recyclage : pour obtenir des renseignements sur la manière de recycler les produits électroniques à DEL, veuillez vous rendre sur www.epa.gov.
- Ces instructions ne sont pas censées traiter de tous les détails ou de toutes les variations de l'équipement. Elles ne fournissent pas les informations sur toutes les éventualités possibles en ce qui concerne l'installation, l'utilisation ou l'entretien. Si vous désirez obtenir plus de renseignements ou si des problèmes qui n'ont pas été suffisamment abordés selon les besoins particuliers de l'acheteur ou du propriétaire surviennent, veuillez communiquer avec Acuity Brands Lighting, Inc.

• **AVERTISSEMENT : RISQUE DE DÉCHARGE ÉLECTRIQUE**

- Débrancher ou couper l'alimentation électrique avant l'installation ou l'entretien.
- Vérifier que la tension d'alimentation est adéquate en la comparant avec les informations imprimées sur l'étiquette du luminaire.
- Effectuer l'ensemble des raccordements électriques et des mises à la terre conformément au Code national de l'électricité (CNE) et à toutes les exigences des codes locaux applicables.
- Tous les raccordements câblés doivent être isolés avec des connecteurs reconnus et certifiés UL.

• **ATTENTION : RISQUE DE BLESSURE**

- Porter des gants et des lunettes de protection à tout moment pour sortir le luminaire de la boîte, l'installer, le réparer ou en faire l'entretien.
- Éviter le contact direct de la source de lumière avec les yeux lorsque le luminaire est allumé.

• **AVERTISSEMENT : RISQUE DE BRÛLURE**

- Laisser la lampe ou le luminaire refroidir avant de manipuler. Ne pas toucher l'enceinte ou la source de lumière.
- Ne pas dépasser la puissance électrique maximum indiquée sur l'étiquette de la lampe.
- Respecter les avertissements, les recommandations et les restrictions du fabricant, notamment ceux concernant le type de circuit, la position de fonctionnement, les méthodes et les endroits de montage, le remplacement et le recyclage.

• **ATTENTION : RISQUE D'INCENDIE**

- Maintenir toutes les matières combustibles ou susceptibles de brûler à l'écart des lampes et des optiques.
- Ne pas utiliser à proximité de personnes, de matériaux combustibles ou de substances affectées par la chaleur ou par le séchage.

• **ATTENTION : RISQUE D'ENDOMMAGEMENT DU PRODUIT**

- Ne jamais connecter des composants sous tension.
- Ne pas installer ces luminaires d'une manière qui pourrait couper la gaine extérieure ou endommager l'isolation des câbles.
- Ne jamais raccorder un produit DEL à un boîtier variateur non approuvé. Contacter ABL directement pour tous les variateurs non spécialement recommandés pour le produit.
- À moins que des spécifications particulières applicables au produit ne l'exigent : Laisser un espace libre suffisant autour du luminaire. Éviter de couvrir les luminaires à DEL avec un isolant, de la mousse ou tout autre matériau pouvant limiter le refroidissement par conduction ou par convection.
- À moins que des spécifications particulières applicables au produit ne l'exigent : La température maximale d'utilisation est de 90 °C. Ne pas utiliser le luminaire à des températures supérieures.
- À moins que des spécifications particulières applicables au produit ne l'exigent : Ne jamais placer les dispositifs à des endroits pouvant exposer le luminaire à de la pluie, de l'humidité élevée, des changements de température extrêmes ou une ventilation limitée.
- Les produits à DEL sont sensibles à la polarité. S'assurer que la polarité est correcte avant de procéder à l'installation.
- Décharge électrostatique (DES) : Une DES peut endommager les luminaires à DEL. Un équipement personnel de mise à la terre doit être porté lors de tout montage ou de tout entretien de l'unité.
- Ne pas toucher les composants électriques individuels, car cela peut causer une DES, réduire la durée de vie de la lampe ou altérer son rendement.
- Aucune pièce ne peut être réparée par l'utilisateur à l'intérieur de l'unité. Ne pas recâbler, reconfigurer ou modifier l'appareil, ne pas essayer d'effectuer des réparations par soi-même. De plus, le remplacement de l'ensemble ou des ampoules DEL sur le terrain n'est pas autorisé par les normes UL actuelles. Dans le cas peu probable où l'appareil aurait besoin d'être réparé, cesser immédiatement toute utilisation et communiquer avec un représentant ABL.
- Toujours lire toutes les instructions d'installation des appareils pour connaître tout avertissement propre à un appareil avant son installation.
- Vérifier que le système de distribution électrique a une mise à la terre appropriée. Une mauvaise mise à la terre peut entraîner une défaillance du luminaire et annuler la garantie.

• ATTENTION : RISQUE D'ENDOMMAGEMENT LORS DU CÂBLAGE DU PRODUIT

- Pour éviter des dégâts ou des abrasions lors du câblage, ne pas mettre les câbles en contact avec des bords de tôle ou autres objets tranchants.

Ce matériel a été testé et jugé conforme aux limitations d'un dispositif numérique de catégorie B, en vertu de la partie 15 des règles de la Commission fédérale des communications (FCC). Ces limites ont pour but de fournir une protection raisonnable contre un brouillage préjudiciable dans une installation résidentielle. Ce matériel génère, utilise et peut rayonner l'énergie des fréquences radio, et s'il n'est pas installé, ni utilisé conformément aux instructions, il peut entraîner un brouillage préjudiciable des communications radio. Cependant, il n'y a aucune garantie que le brouillage ne se produira pas dans une installation particulière.

Si ce matériel entraîne un brouillage préjudiciable de la réception radio ou télévision, ce qui peut être déterminé en l'allumant et en l'éteignant, nous encourageons l'utilisateur à essayer de rectifier ce brouillage à l'aide de l'une ou de plusieurs des mesures suivantes :

- Réorienter ou repositionner l'antenne de réception.
- Augmenter la distance entre l'appareil et le récepteur.
- Raccorder l'appareil à la sortie d'un circuit autre que celui sur lequel le récepteur est branché.
- Consulter le revendeur ou un technicien radio/télévision chevronné pour obtenir de l'aide.

Tous les luminaires qui contiennent des dispositifs électroniques générant des fréquences supérieures à 9 kHz à partir d'un composant situé à l'intérieur du luminaire sont conformes à la partie 15 des règles de la Commission fédérale des communications.

Le fonctionnement est assujéti aux deux conditions suivantes :

- (1) Ce dispositif ne peut pas causer d'interférence nuisible;
- (2) Ce dispositif doit accepter n'importe quelle interférence reçue, y compris les interférences pouvant entraîner un fonctionnement non souhaité.

ÉTAPES DE L'INSTALLATION :

1. **Lisez l'intégralité du guide des instructions d'installation** avant de commencer à installer le projecteur. Assurez-vous que **l'alimentation électrique** de la boîte de jonction est coupée au niveau du disjoncteur ou du fusible avant de procéder à l'installation.
2. Retirez les composants du projecteur et les pièces détachées du carton, et vérifiez que les fils noir, blanc et cuivre sortent de l'arrière du projecteur (la version MVOLT aura également des fils rose et violet). Vérifiez que toutes les pièces sont incluses, comme indiqué dans la *Figure 2* et le *Tableau 1*.



Figure 2

Description	QTÉ
Sac en plastique	1
écrou en fil de fer (P3H)	3
écrou en fil de fer (P1) (version MVOLT uniquement)	2
8#32xT25mm Vis	2
Support de montage 8#32xT12mm avec vis	1
Écrou 3,5 mm	1

Tableau 1

3. **Avant l'installation** : Au dos du luminaire, vous trouverez l'interrupteur permettant de sélectionner la température de couleur. **Choisissez votre réglage** : Positionnez le commutateur sur la température de couleur LED souhaitée : 2700K (douce);3000K (chaude);3500K (neutre);4000K (froide);5000K (lumière du jour). illustré dans la *Figure 3*.

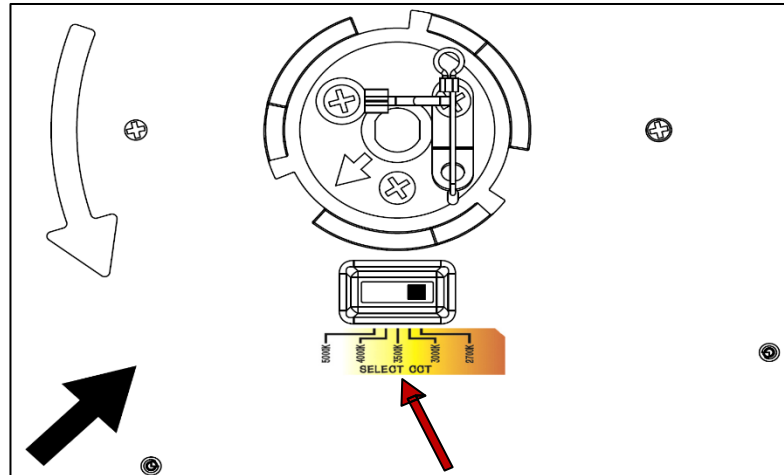


Figure 3

4. Utilisez les vis #8 fournies pour fixer le support de montage au plafond en les fixant à la boîte de jonction. Il y a deux fentes pour les trous de montage avec des diamètres de **2,75 pouces** et **3,5 pouces** pour s'adapter aux différentes tailles de boîtes J. Veillez à ce que le côté du support de montage portant le texte « **THIS SIDE DOWN** » soit orienté vers le sol. Si vous installez un luminaire **Square Saturn**, utilisez les bords droits du support de montage pour l'aligner. **Pour aligner un appareil carré parallèlement à un mur particulier, assurez-vous que le bord droit du support est parallèle au mur**, comme illustré à la *Figure 4*.

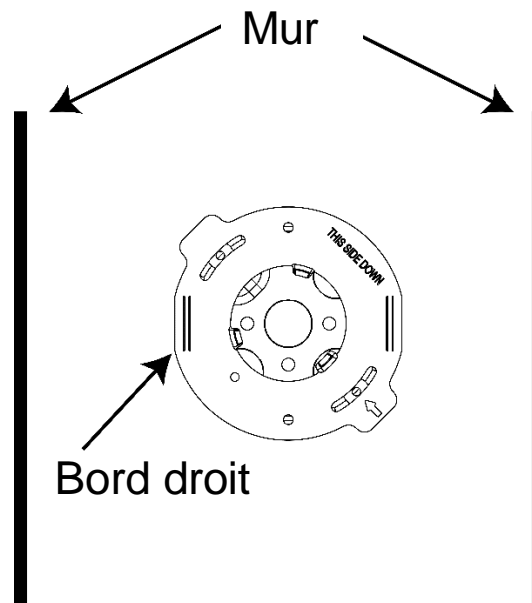


Figure 4

5. Après avoir fixé la plaque de montage à la boîte de jonction, fixez l'extrémité de l'œillet du câble d'attache de sécurité à l'emplacement prévu pour la vis de 12 mm, puis faites passer l'œillet de l'attache par l'extrémité supérieure de la vis de 12 mm et fixez l'œillet avec l'écrou fourni en le serrant sur le dessus de l'œillet, comme illustré à la *Figure 5*.

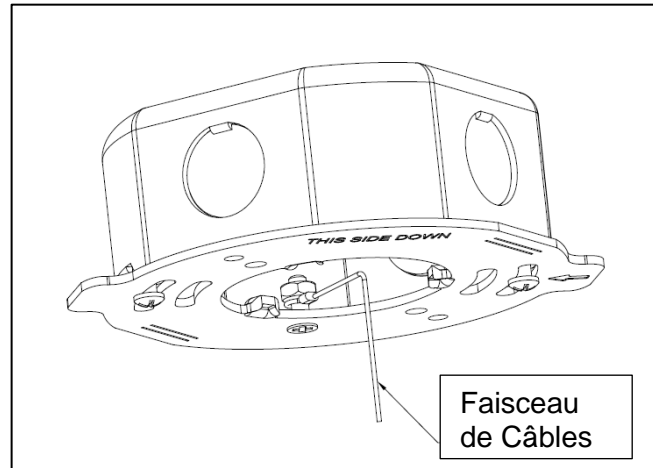


Figure 5

6. **Utilisez des écrous à fils** pour connecter : le fil noir du projecteur au fil noir de l'alimentation (ligne) ; le fil blanc du projecteur au fil blanc de l'alimentation (neutre), et le fil de terre en cuivre nu du projecteur au fil de terre en cuivre nu de la boîte de jonction (si le câblage de la maison ne comprend pas de fil de terre, consultez votre code électrique local pour connaître les méthodes de mise à la terre approuvées). (Si le câblage de la maison ne comprend pas de fil de terre, consultez le code électrique local pour connaître les méthodes de mise à la terre approuvées). **POUR UNE CONNEXION APPROPRIÉE, PLACEZ LE COUVERCLE SUR LES FILS, TIREZ DANS LE SENS DES AIGUILLES D'UNE MONTRE JUSQU'A CE QU'IL SOIT SERRÉ.** Comme le montre la *Figure 6*.

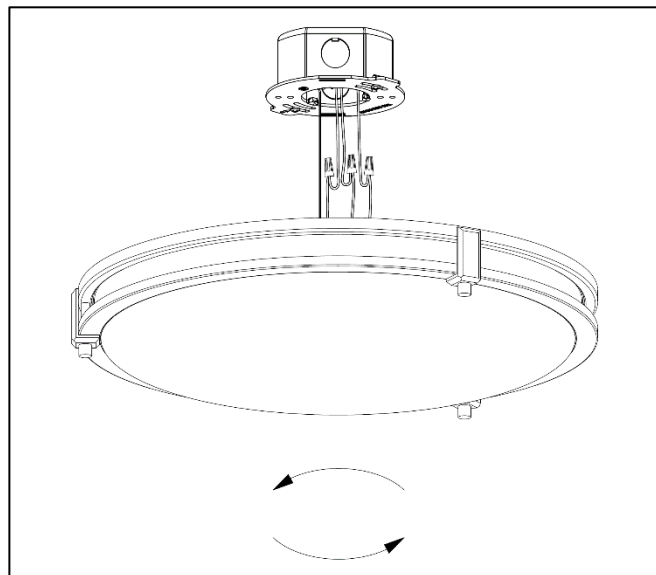


Figure 6

7. **Pour les appareils avec gradation 0-10V (120 - 277V MVOLT driver only)**, utilisez des écrous à fils pour connecter le fil violet du gradateur de l'appareil (+) au fil positif (+) du gradateur et le fil rose du gradateur (-) de l'appareil au fil négatif (-) du gradateur. S'il n'y a pas de fils de gradateur, fermez les fils violet et rose du projecteur à l'aide d'écrous.
8. **Tenir l'assemblage du projecteur d'une main** et, de l'autre, positionner les fils vers le haut et dans la boîte de jonction, en veillant à ne pas pincer les fils..
9. **Alignez la flèche droite de la rondelle de montage du projecteur** avec la flèche droite du support de montage, comme indiqué dans la *Figure 7* et la *Figure 6*. Les flèches du projecteur et du support de montage **DOIVENT** être alignées pour que le projecteur soit installé correctement.

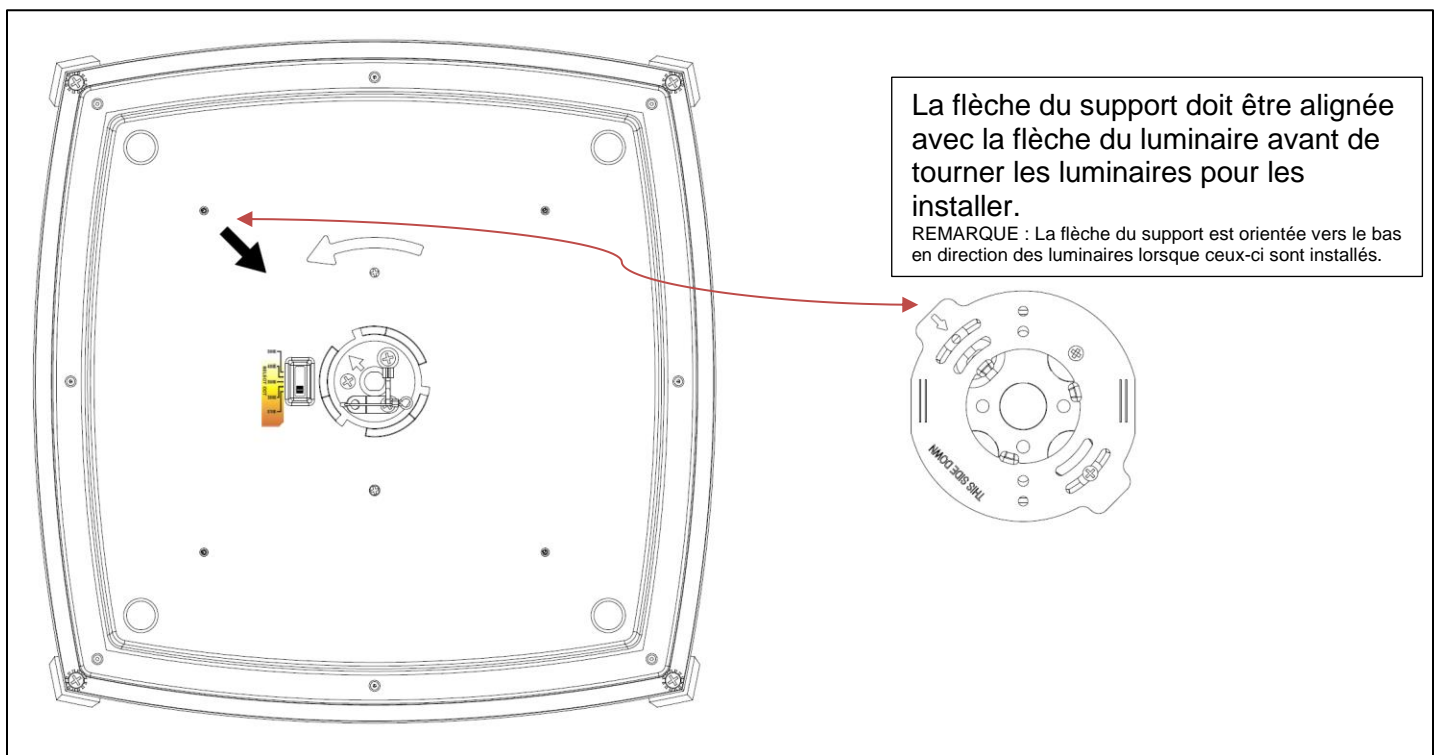


Figure 7

10. Fixez l'ensemble du projecteur au support de montage **en tournant le projecteur dans le sens des aiguilles d'une montre tout en le poussant doucement vers le haut dans la boîte de jonction**, comme illustré à la *Figure 8*. Vous devez sentir un léger « choc » pour confirmer que le projecteur est verrouillé en place. Le projecteur doit être tourné de 90 degrés dans le sens des aiguilles d'une montre à partir de l'alignement de la flèche pour être complètement installé. Si l'alignement se fait avec un Square Saturn, l'installateur disposera d'un peu plus de tolérance pour ajuster l'alignement du projecteur après avoir senti la « bosse ». Si la boîte de jonction dépasse du plafond, il peut y avoir un espace entre le luminaire et le plafond.

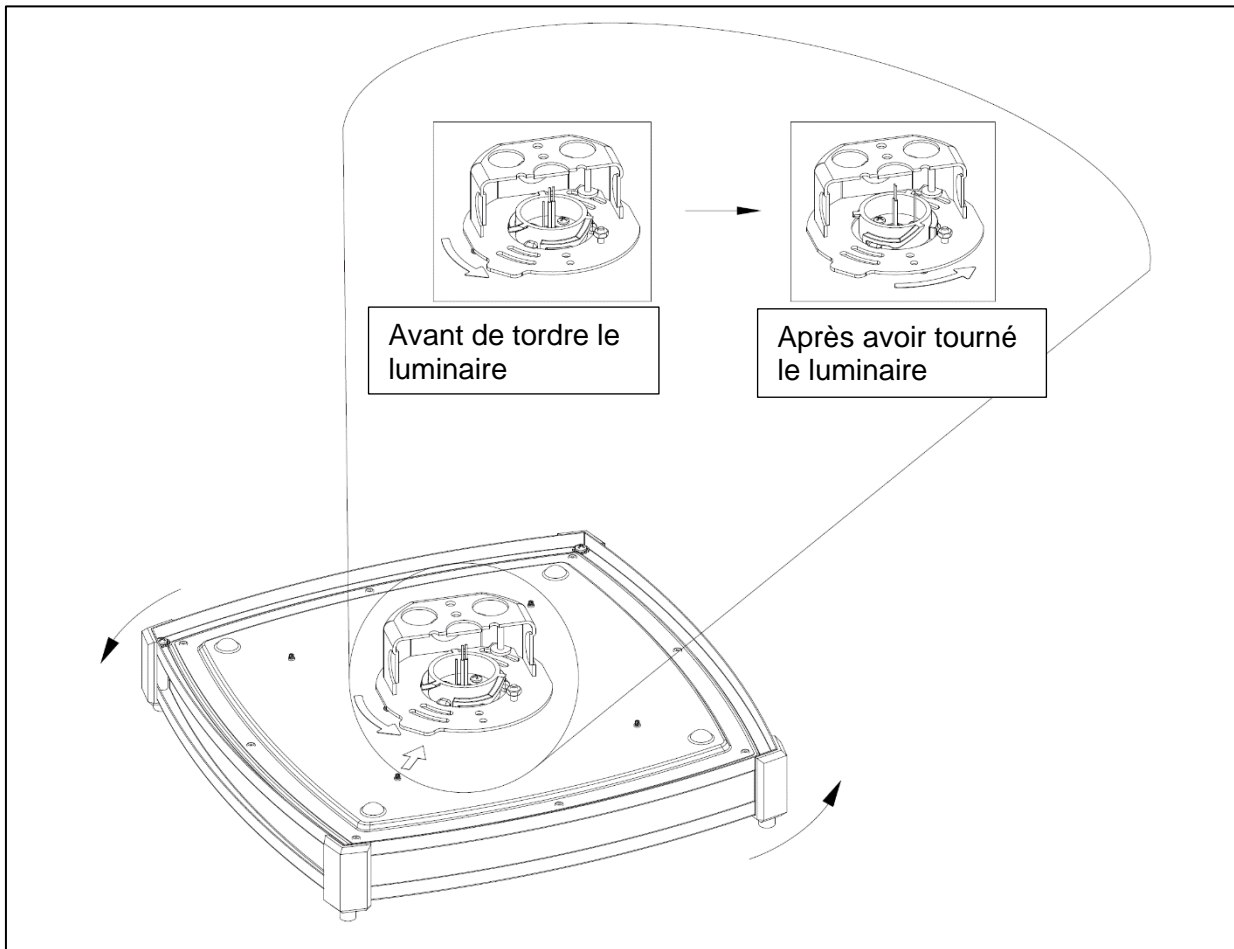


Figure 8

10. Rétablir l'alimentation au niveau de la boîte de fusible ou du boîtier de disjoncteur et vérifier que le luminaire fonctionne correctement.

GUIDE DE DÉPANNAGE

Si ce luminaire ne fonctionne pas correctement, utiliser le guide ci-dessous pour diagnostiquer et régler le problème.

- Vérifier que le luminaire est câblé correctement.
- Vérifier que le luminaire est correctement mis à la terre.
- La tension de la ligne au niveau du dispositif est appropriée.

Si une assistance supplémentaire est nécessaire, appelez
l'assistance technique au : (800) 705-7378

Cette lampe DEL requiert peu d'entretien et ne nécessite aucun changement d'ampoule.

Gradateurs recommandés

Pour les gradateurs recommandés, consulter les notes ci-dessous.

1. Le pilote de 120 V est gradable à l'aide de la plupart des gradateurs incandescents, magnétiques à basse tension et électroniques à basse tension pour boîte murale.
2. Le pilote à tension universelle est gradable à l'aide de la plupart des gradateurs muraux 0-10 V. Consulter le schéma électrique du gradateur ou un électricien local pour raccorder le luminaire, car le raccordement des fils peut être différent.
3. Pour une liste de gradateurs compatibles, voir JUNOSLIMFORM-DIM

REMARQUE : Voir les gradateurs recommandés sur la fiche de spécifications. Les gradateurs non répertoriés sur la fiche de spécifications ne sont pas nécessairement incompatibles.

Formats de boîtiers de raccordement compatibles

- 3 » et 4 » octogonaux (métal ou plastique), Juno IC1JB 4" Junction Box
- **Boîte de jonction de 1 1/2" de profondeur minimum requise pour l'installation
- **Diamètre minimum de 3" de l'espace libre dans la boîte de jonction pour l'installation

Remarques à propos du luminaire

Exigences en matière de tension :

Les appareils de 120 volts doivent être raccordés à une source d'alimentation de 120 volts, 60 Hz.

Les appareils de 120 à 277 volts doivent être raccordés à une source d'alimentation de 120 à 277 volts, 60 Hz.

Tout autre type de connexion annulera la garantie.

Installation de la boîte de jonction :

Ce luminaire est conçu pour être raccordé à une boîte de jonction homologuée UL correctement installée et mise à la terre (non fournie), et doit être installé conformément au Code national de l'électricité (NEC) et aux codes de construction locaux.

Emplacements appropriés :

Ces produits ne peuvent être installés que dans des endroits humides.