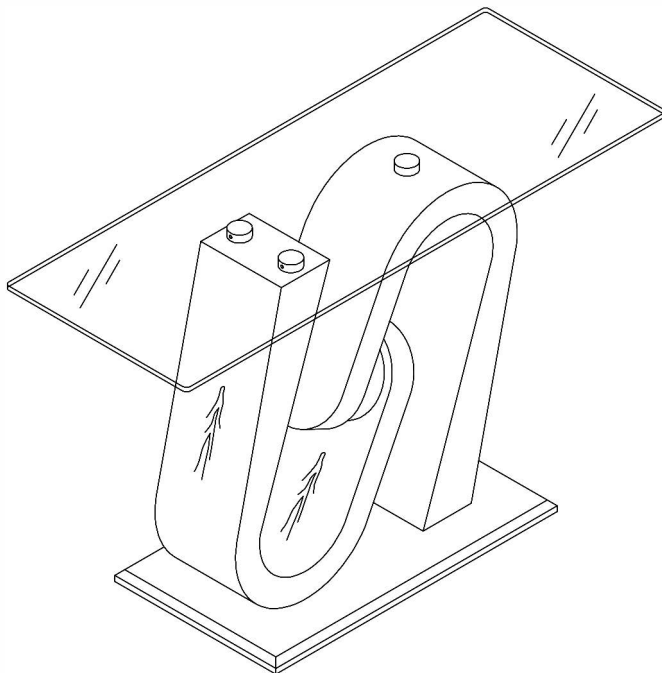


ASSEMBLY INSTRUCTIONS

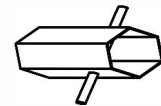


TOOLS REQUIRED



Allen Wrench

(Included)



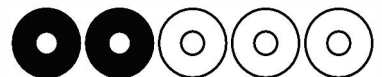
Socket Wrench

(Included)



**2 - Persons
Recommended**

ASSEMBLY RATING



EASY ————— DIFFICULT

The Assembly Rating is a 5-point system showing the level of effort needed to assemble a specific product.



CHECK BEFORE STARTING

Are you missing anything?

Double-check all parts, hardware and accessories listed on Page 6 are accounted for.

Check out our Quick Tips!

We recommend reviewing the pre-assembly handouts. Even experts need a refresher now and then!

Should we send any replacements?

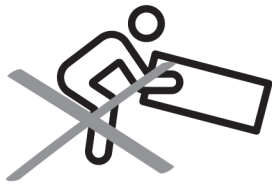
Are there any irregularities or flaws in the parts? We can send replacements!

Prep Time!

Please review the assembly instructions and all diagrams prior to assembling. Arrange parts as recommended on Page 7 and group identical hardware together to make assembling easier.

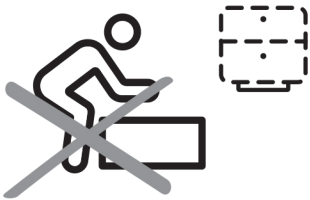
PRE ASSEMBLY INTRODUCTION

We understand building ready-to-assemble furniture can be a challenging experience for some. To help avoid confusion, we have provided some helpful tips that may speed up the process.



Teamwork

ALWAYS have at least two people to help with transporting and assembling the product to avoid potential injury and/or damage.



Suitable Location

Assembling near the area of the intended location is highly recommended.



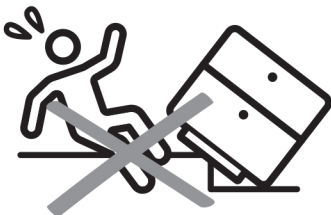
Sufficient Space

Make sure you have enough space to move around during the assembly.



Avoid Scratches

Use cardboard, blankets or a carpeted area while assembling furniture to prevent scratches.



Flat Surface

Make sure the furniture rests on a flat and level surface with each leg evenly touching the floor.

ASSEMBLY AND CARE ADVICE



**FAILURE TO FOLLOW THE GUIDELINES BELOW MAY
RESULT IN INJURY AND/OR PROPERTY DAMAGE.**



Position each part correctly
and insert screws or bolts into
their respective holes.



Turn clockwise to tighten and
only tighten when step is
completed or when instructed
to do so.



Use the appropriate hand tools
or power tools for assembly.
Select steps, such as tightening
screws and/or bolts, may require
hand tools to avoid causing
damage during assembly.



Save the instructions and store
any supplied tools for later
maintenance.



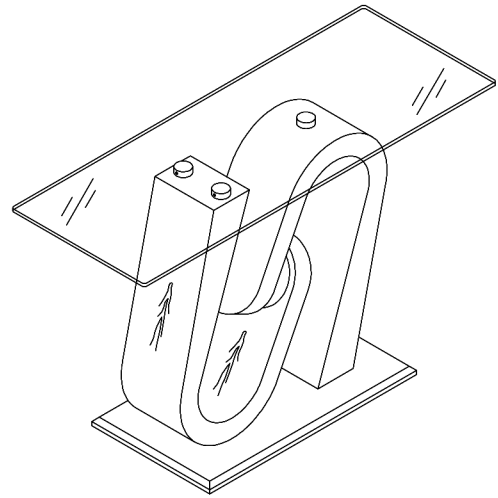
After two weeks, check and
tighten any loose hardware and
repeat again every six months
thereafter.

IT IS THE USER'S RESPONSIBILITY TO MAINTAIN THE FURNITURE. THE HARDWARE MAY LOOSEN OVER TIME AND MAY CAUSE THE FURNITURE TO BE WOBBLY AND UNABLE TO SUPPORT ITS INTENDED WEIGHT CAPACITY. THIS MAY LEAD TO COLLAPSE AND MAY CAUSE SERIOUS INJURY.

SOFA TABLE

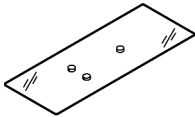


- Please keep instructions for future reference.
- Check the quantity and irregularity of parts and hardware before you start.



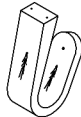
PARTS

#1 1pc



Glass Top

#2 1pc



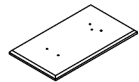
Base-paper

#3 1pc



Base-white

#4 1pc



Bottom

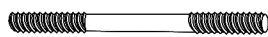
HARDWARE

#A 5pcs



Bolt
5/16" x 1-5/8"

#B 1pc



Rod
5/16" x 5-3/4"

#C 3pcs



Set Screw
5/16" x 1"

#D 3pcs



Set Screw
1/4" x 3/8"

#E 1pc



Nut M8

#F 6pcs



Washer

#G 3pcs



Inner Cake
Ø33 x 12

#H 1pc



Allen Wrench M3

#I 1pc



Allen Wrench M5

#J 1pc



Socket Wrench M8

#K 6pcs

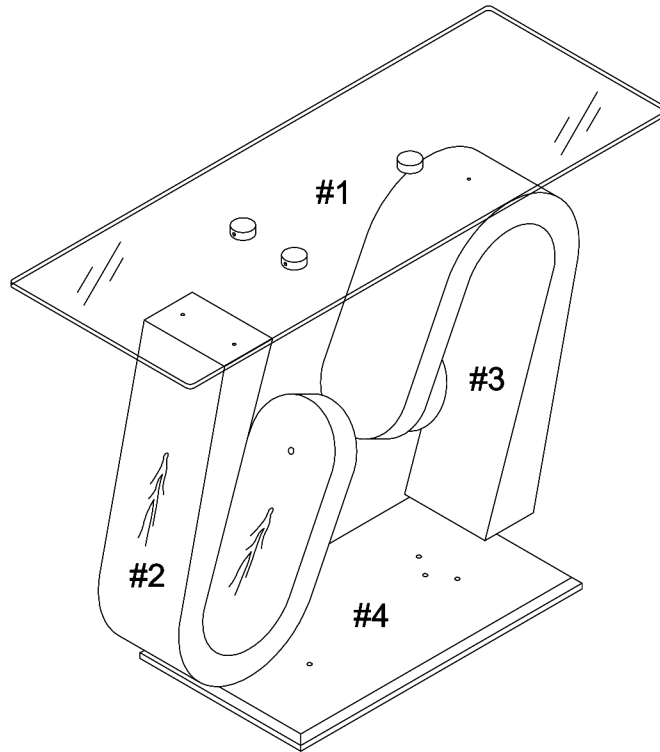


Adjustable Foot
M6 x 16

ASSEMBLY INSTRUCTIONS

Exploded View

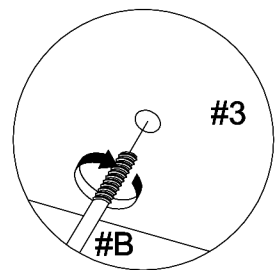
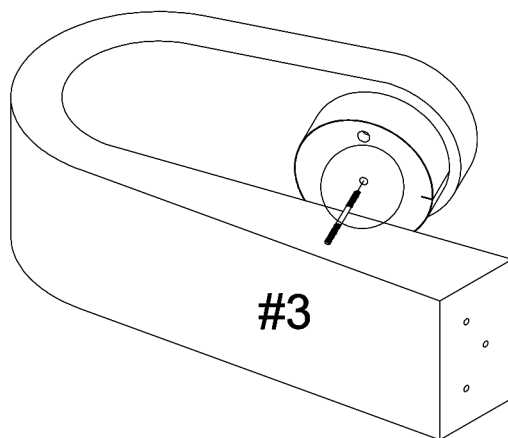
1



2

Part #3 x 1pc
Hardware #B x 1pc

Attach rod (#B) to base (#3).

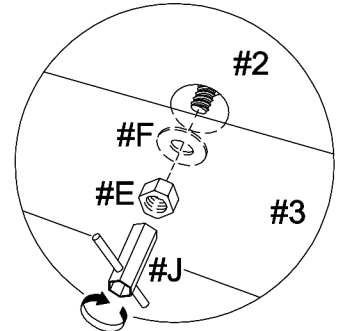
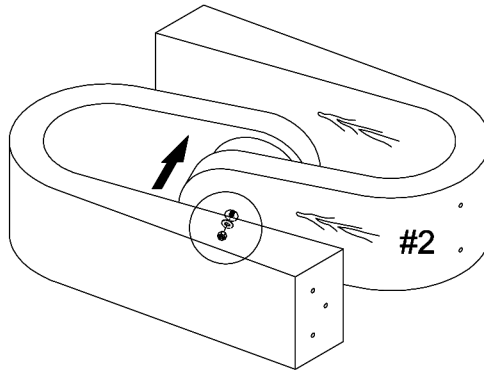


ASSEMBLY INSTRUCTIONS

3

- Part **#2** x 1pc
- Part **#3** x 1pc
- Hardware **#E** x 1pc
- Hardware **#F** x 1pc

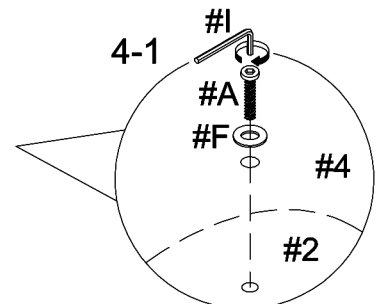
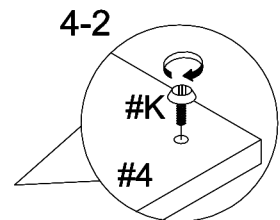
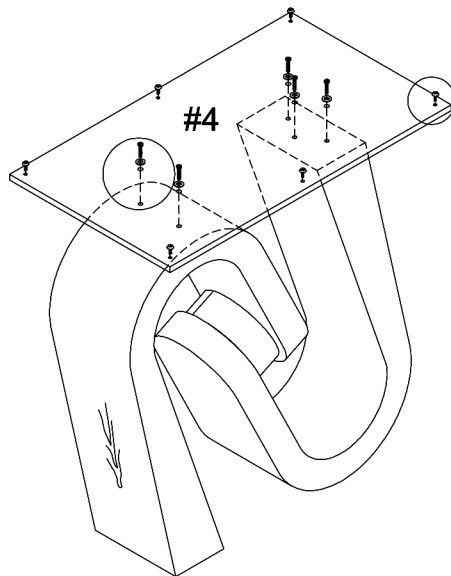
Align base (#2) to rod on base (#3), then secure by using hex nut (#E) with washer (#F).



4

- Part **#2** x 1pc
- Part **#3** x 1pc
- Part **#4** x 1pc
- Hardware **#A** x 5pcs
- Hardware **#F** x 5pcs
- Hardware **#K** x 6pcs

Align bottom (#4) to bases, then secure by using bolts (#A) with washers (#F). Attach and adjust levelers (#K) to bottom (#4) according to ground level.

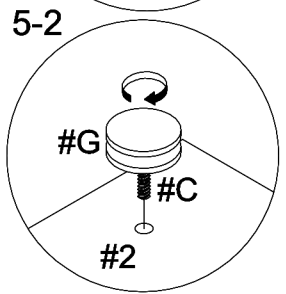
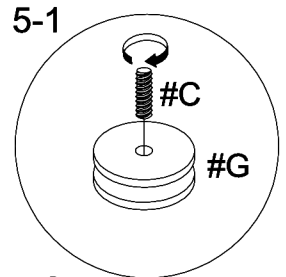
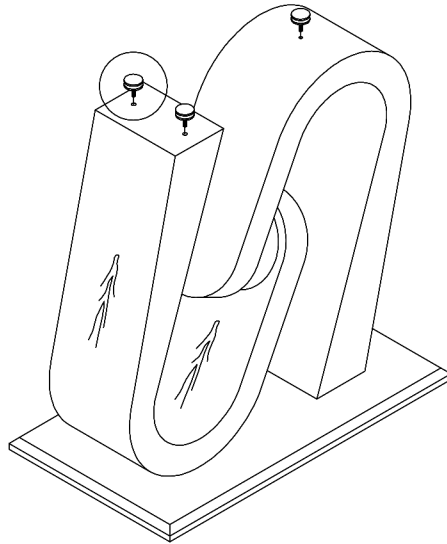


ASSEMBLY INSTRUCTIONS

5

- Part #2 x 1pc
- Part #3 x 1pc
- Hardware #C x 3pcs
- Hardware #G x 3pcs

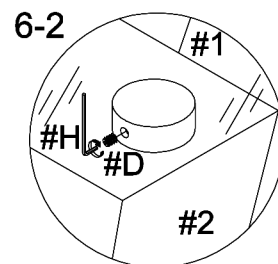
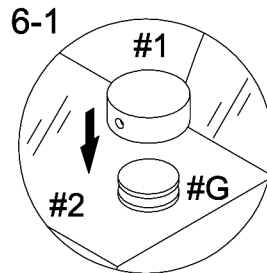
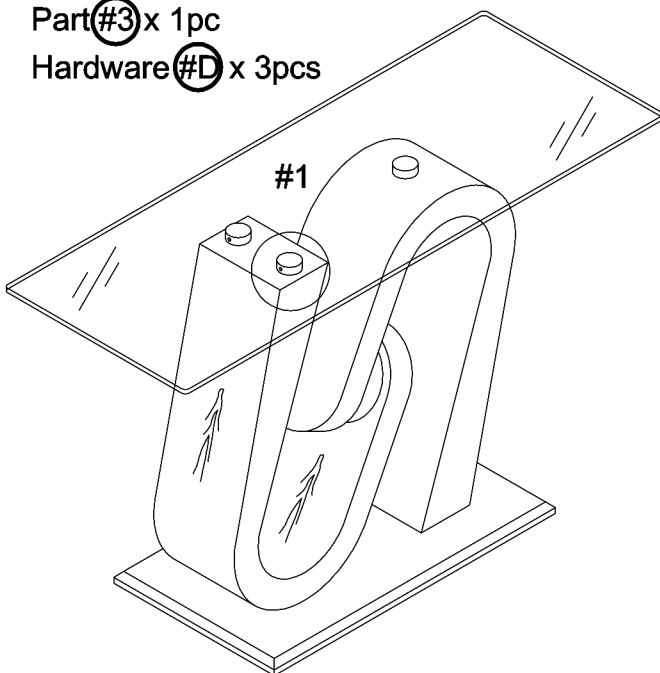
Attach set screws (#C) to inner cakes (#G), then attach inner cakes (#G) to the base.



Align glass top (#1) to inner cakes (#G), then secure by using set screws (#D).

6

- Part #1 x 1pc
- Part #2 x 1pc
- Part #3 x 1pc
- Hardware #D x 3pcs



ASSEMBLY COMPLETED



Please ensure the furniture rests on an even and flat surface. If the product wobbles or feels loose, double-check all bolts and/or screws are properly tightened and secured.



Keep this handy!

Please retain this instruction manual and any order-related information for future reference.