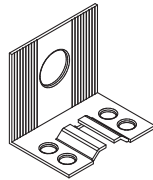
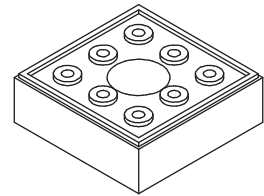


**A12**  
x4

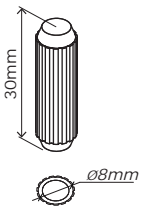


**H16**  
x1



**P45**  
x4

**BU3680**



**H1**  
x12



**V5**  
x27



**H2**  
x11



**H14**  
x2



**V13**  
x16



**V10**  
x2



**V109**  
x8



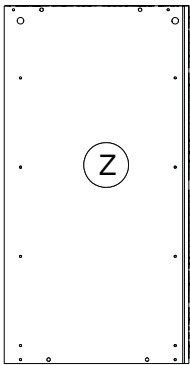
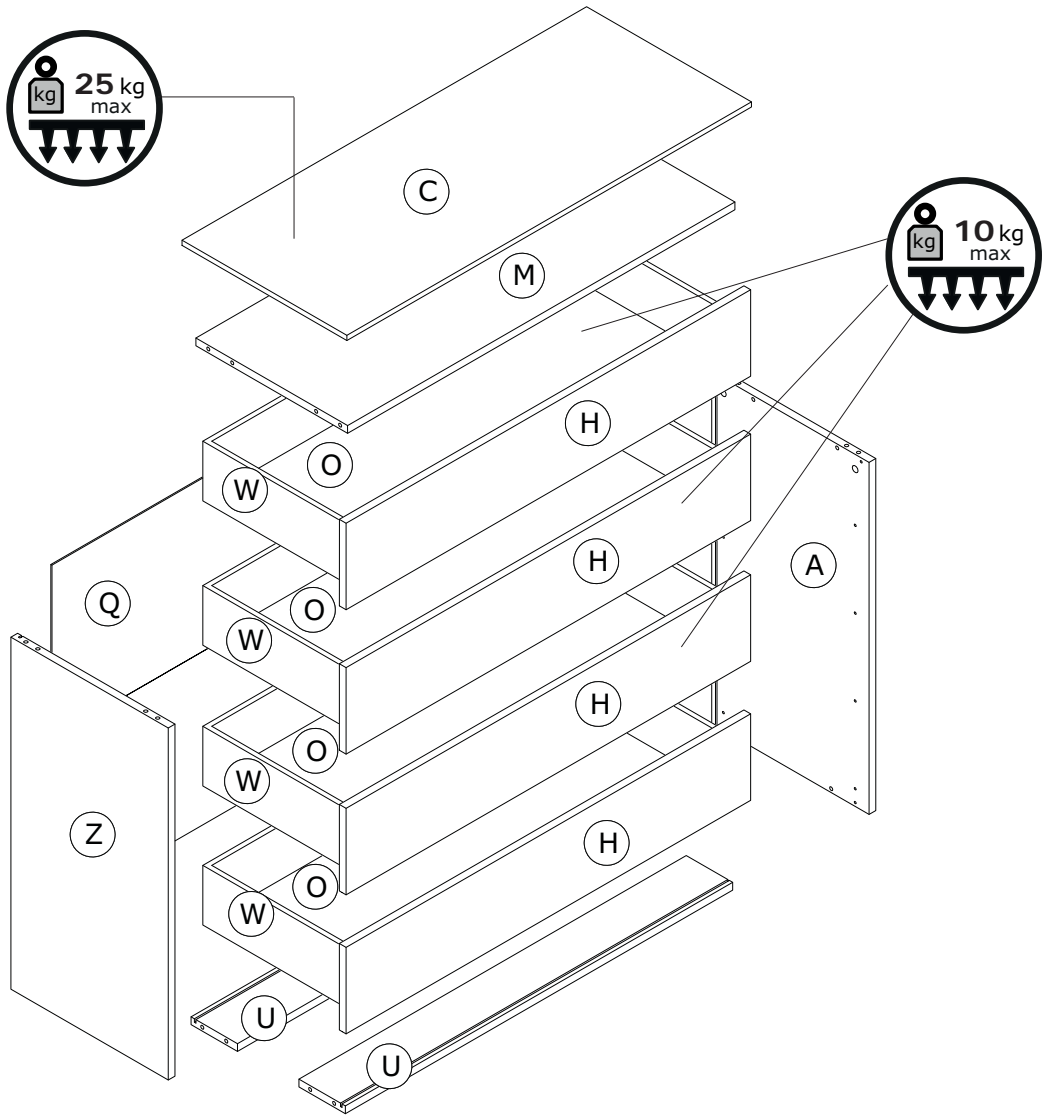
**T83**  
x12



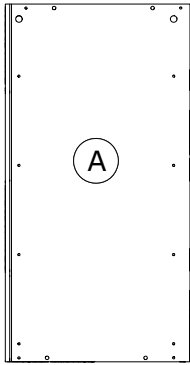
**T99**  
x12



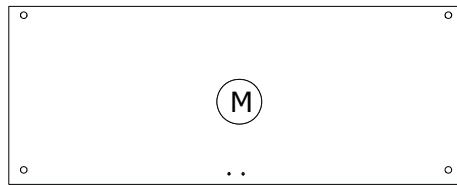
**H15**  
x10



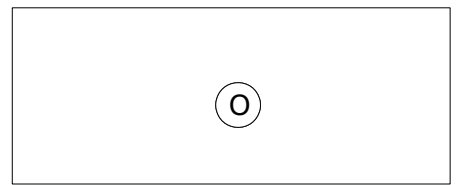
**FI6791**  
814x420x18mm



**FI6789**  
814x420x18mm



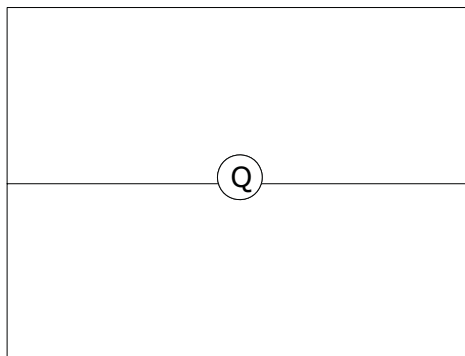
**PI5859**  
1034x405x18mm



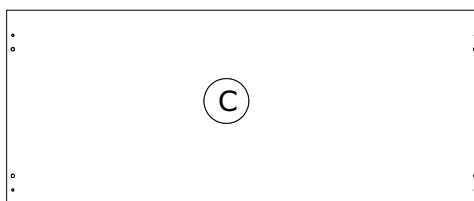
**SH2461**  
996x401x3mm



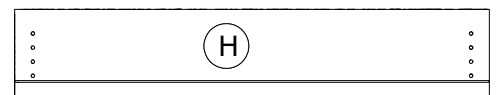
**OF0258**  
400x1009x400mm H.138mm



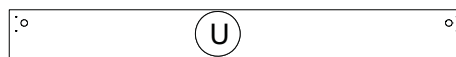
**SH3019**  
1048x808x3mm



**CA3257**  
1080x440x12mm

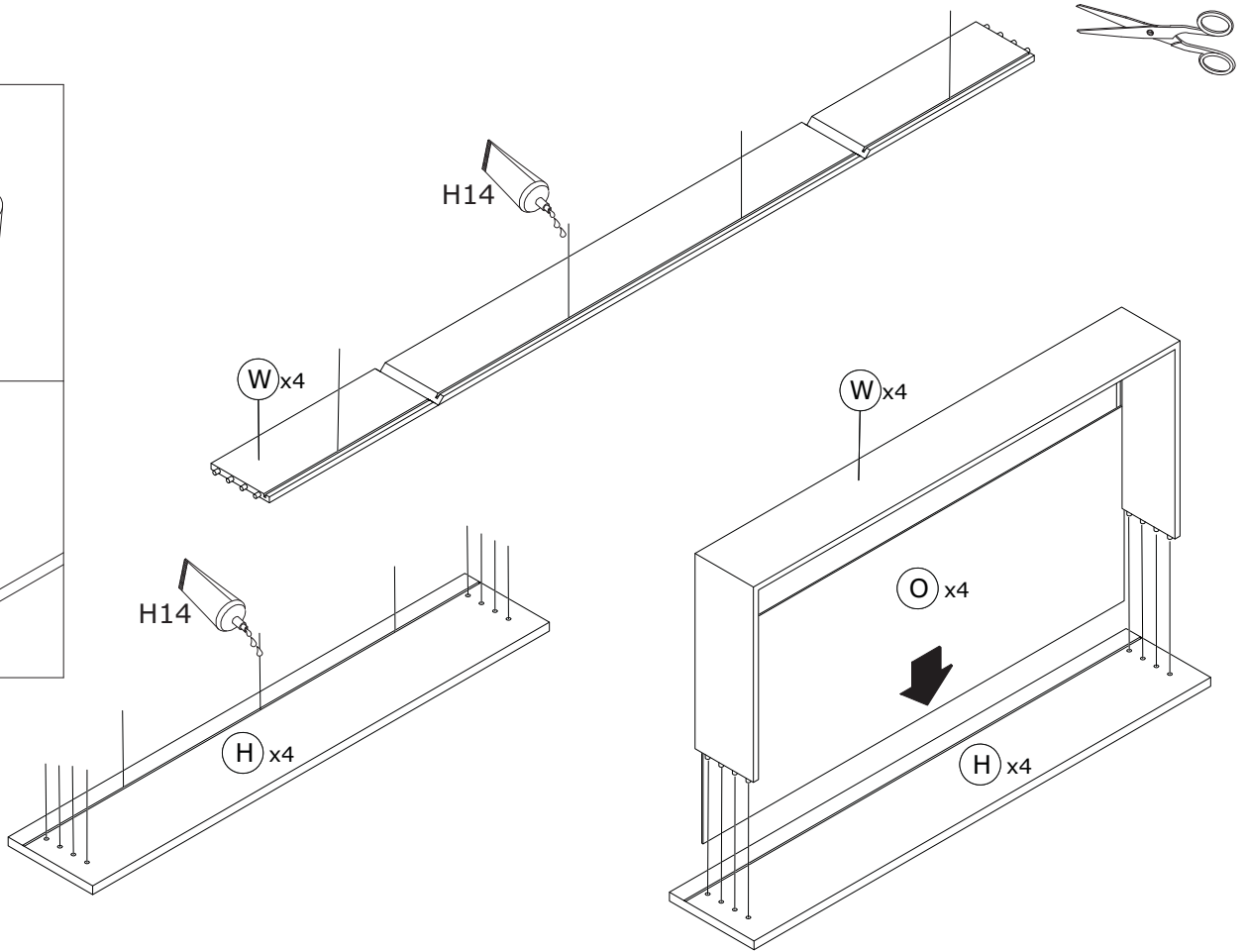
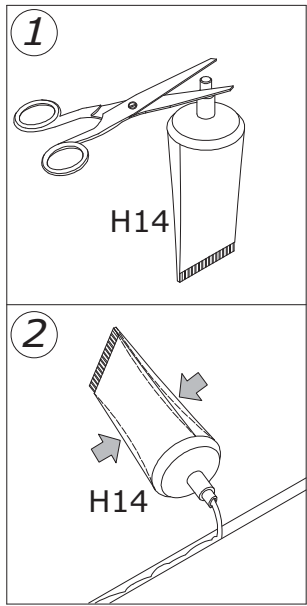


**CS2168**  
1080x200x18mm

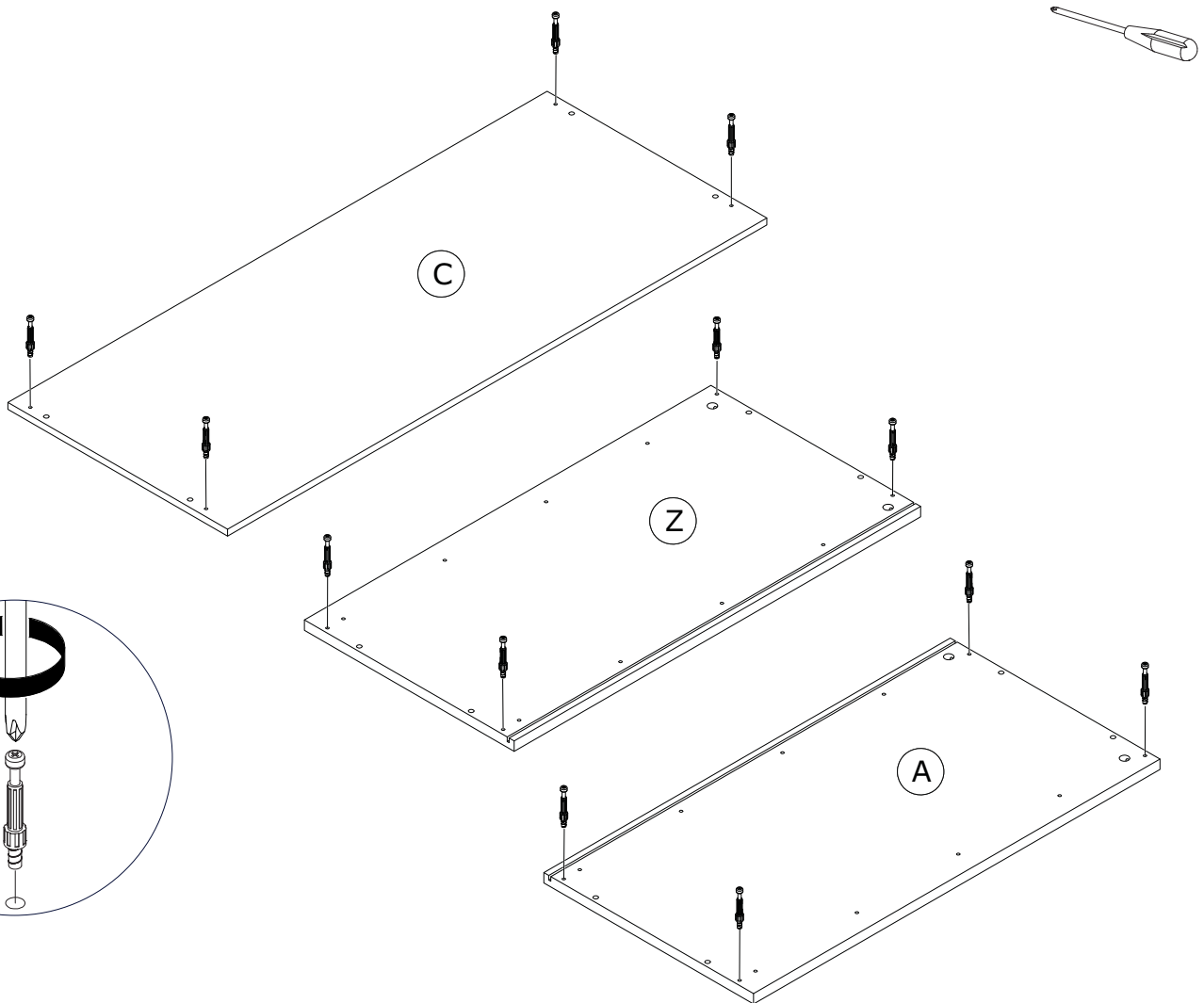
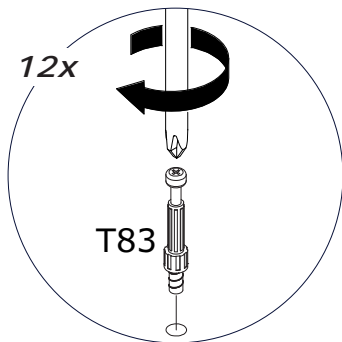


**FS2135**  
1034x124x18mm

1

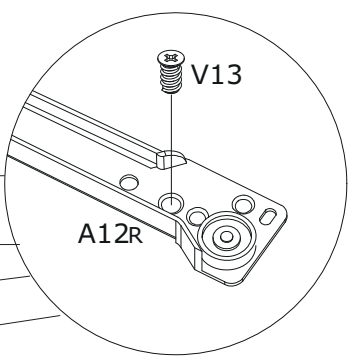
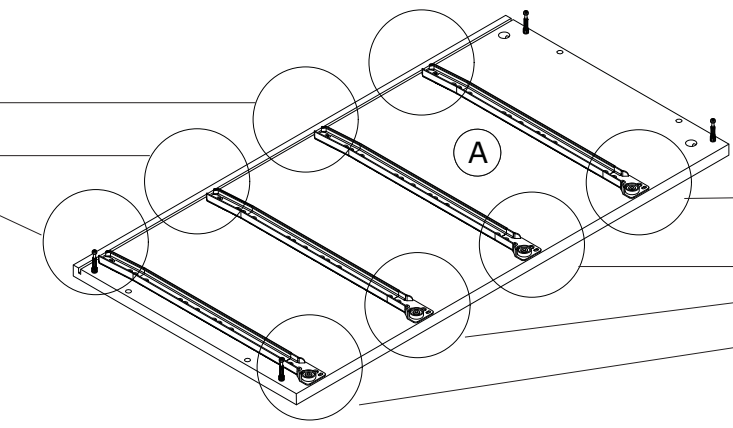
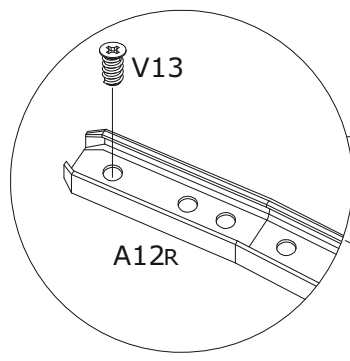
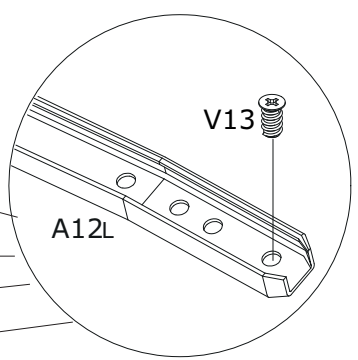
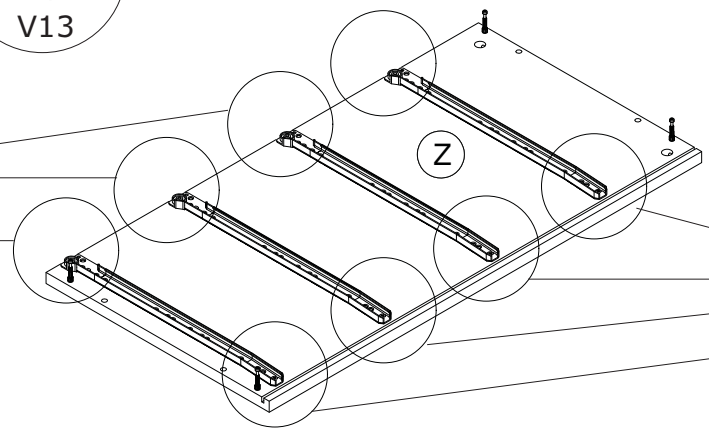
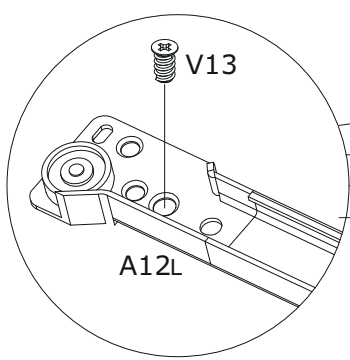
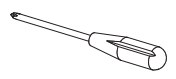


2

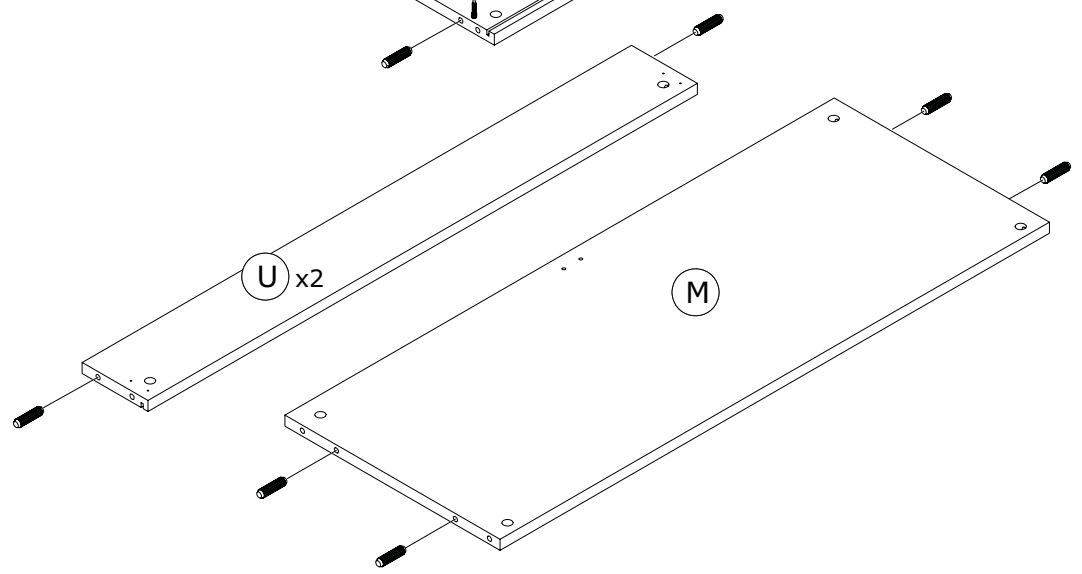
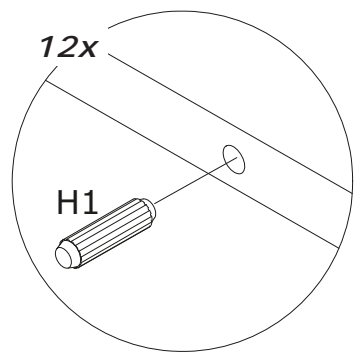
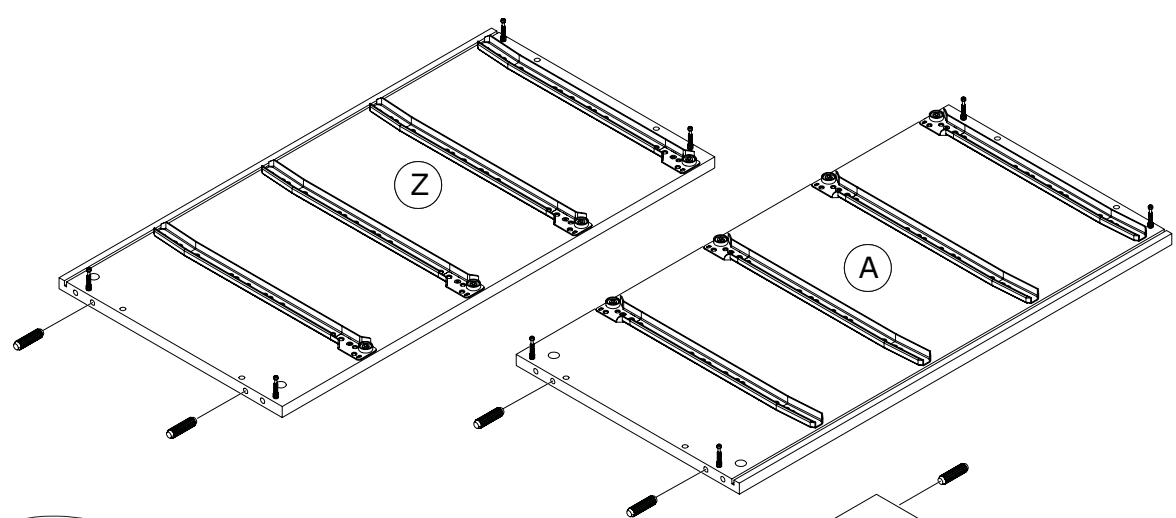
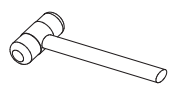


3

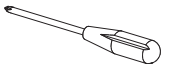
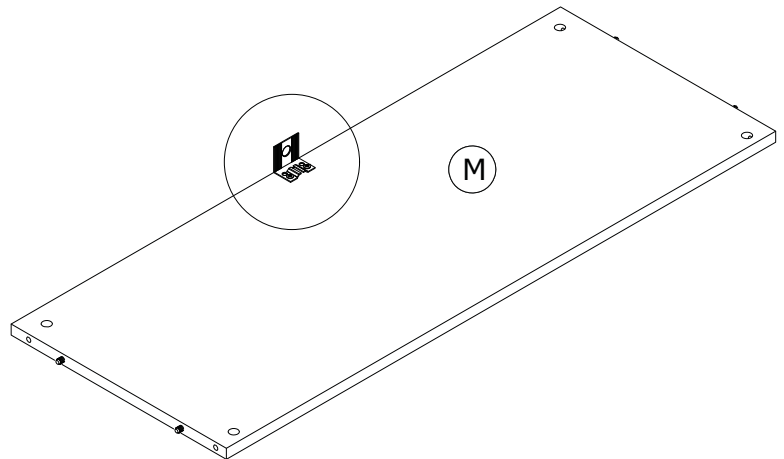
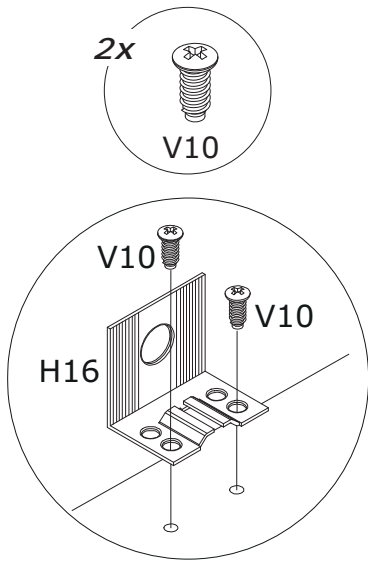
16x



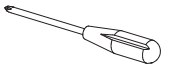
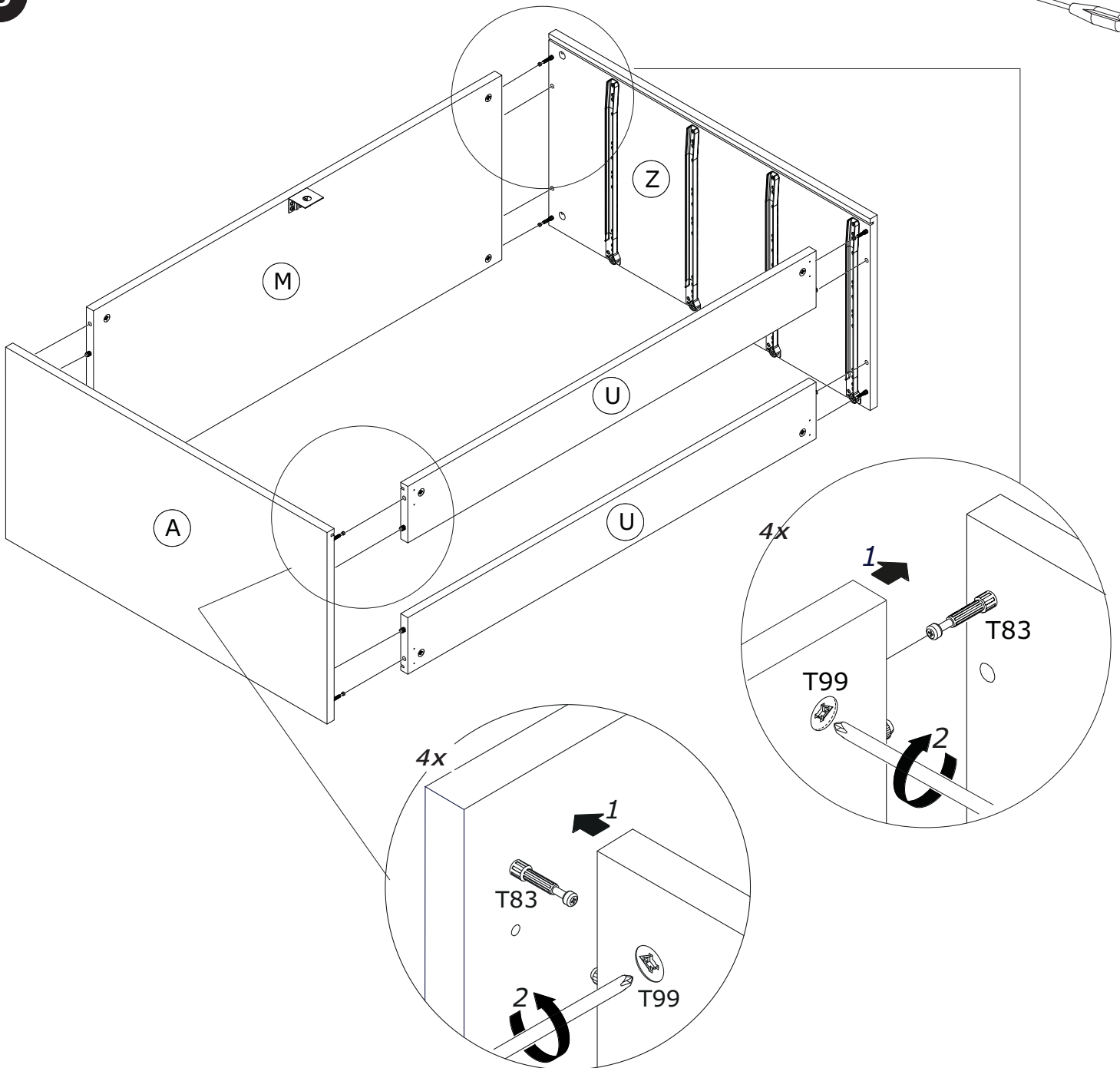
4



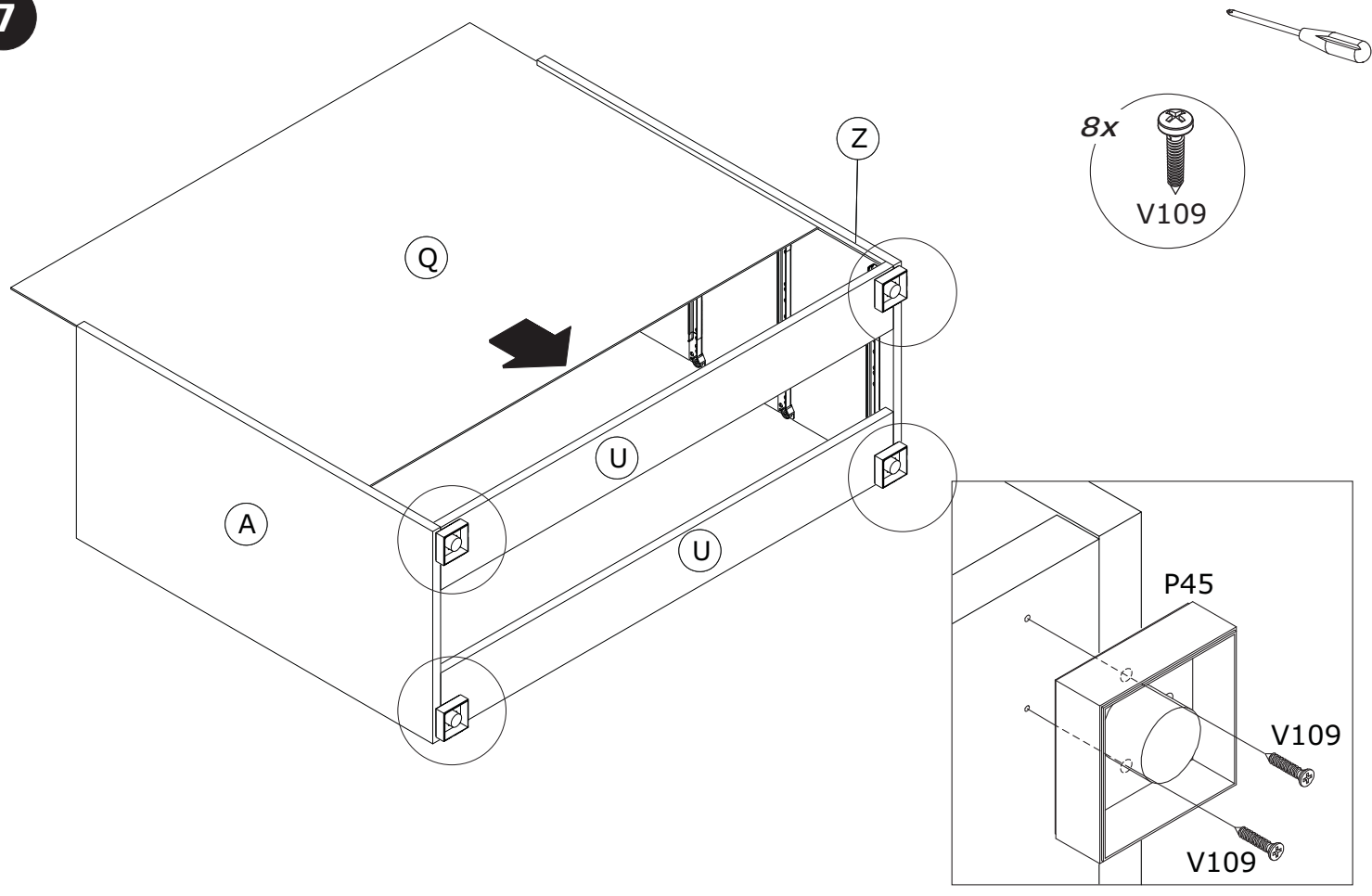
5



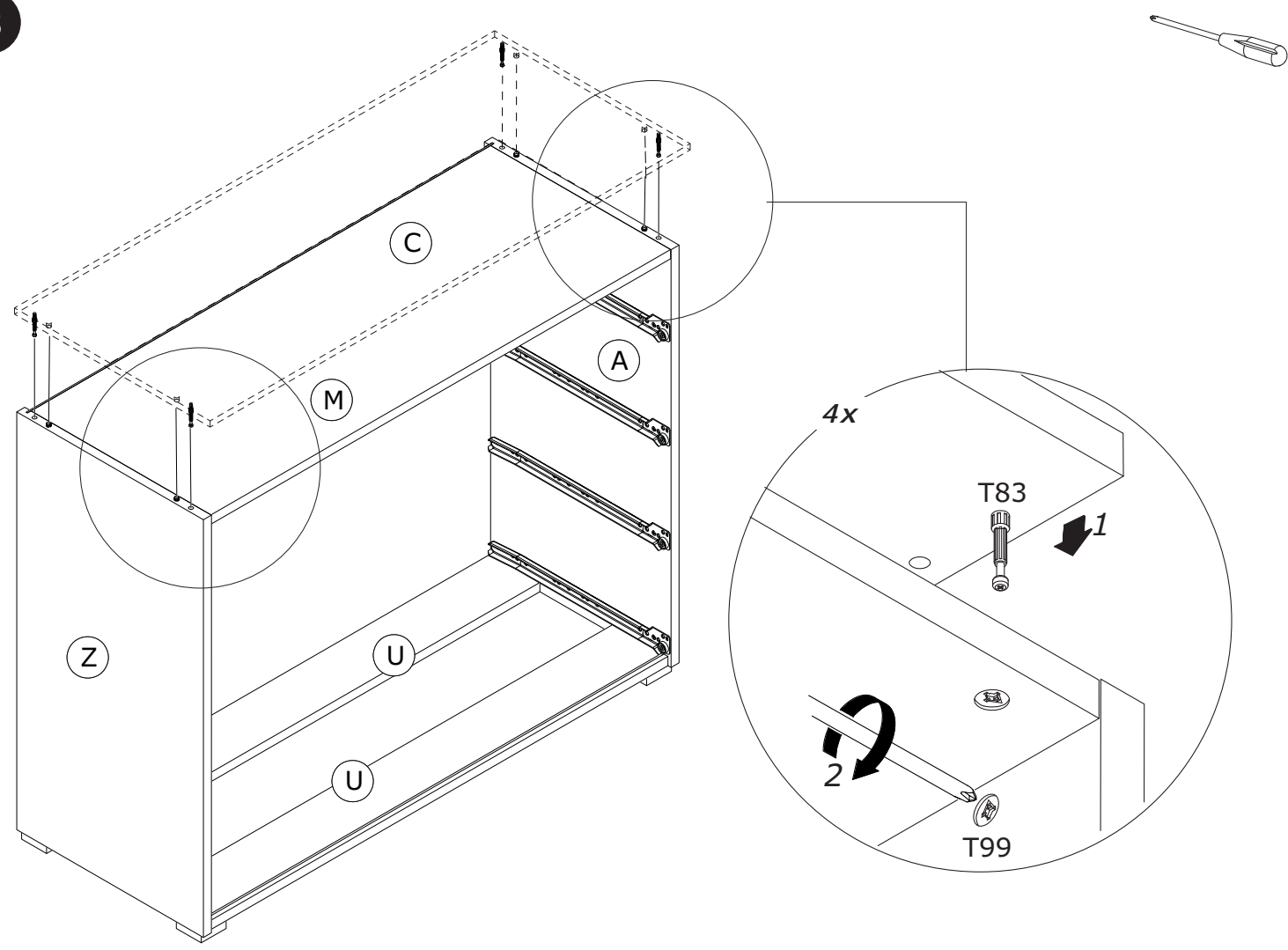
6



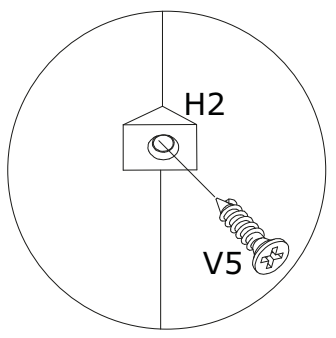
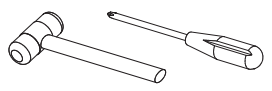
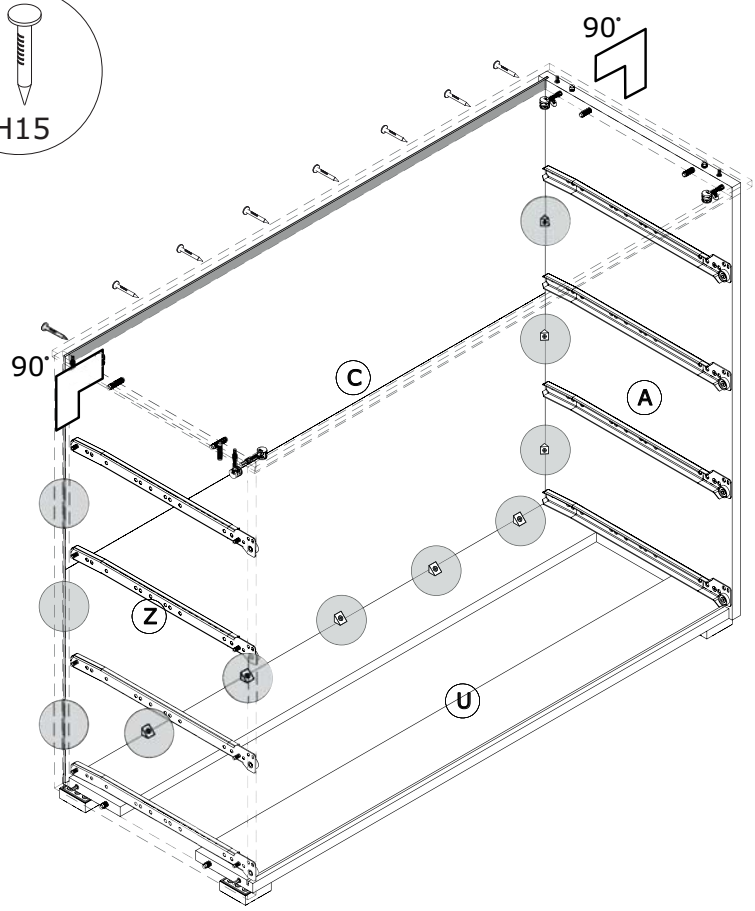
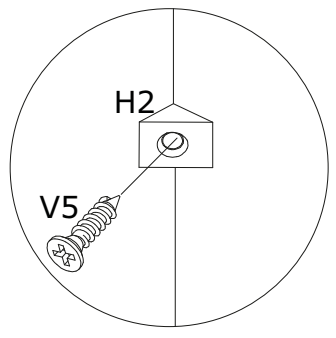
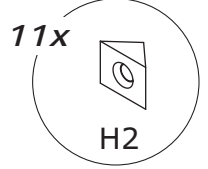
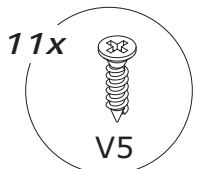
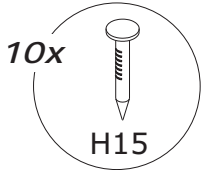
7



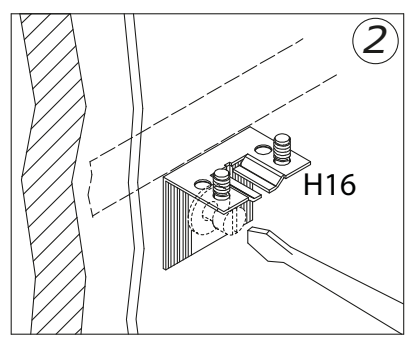
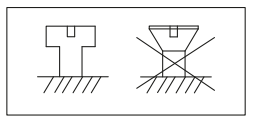
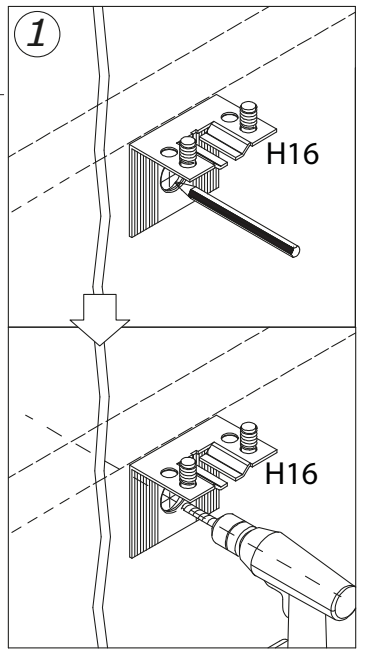
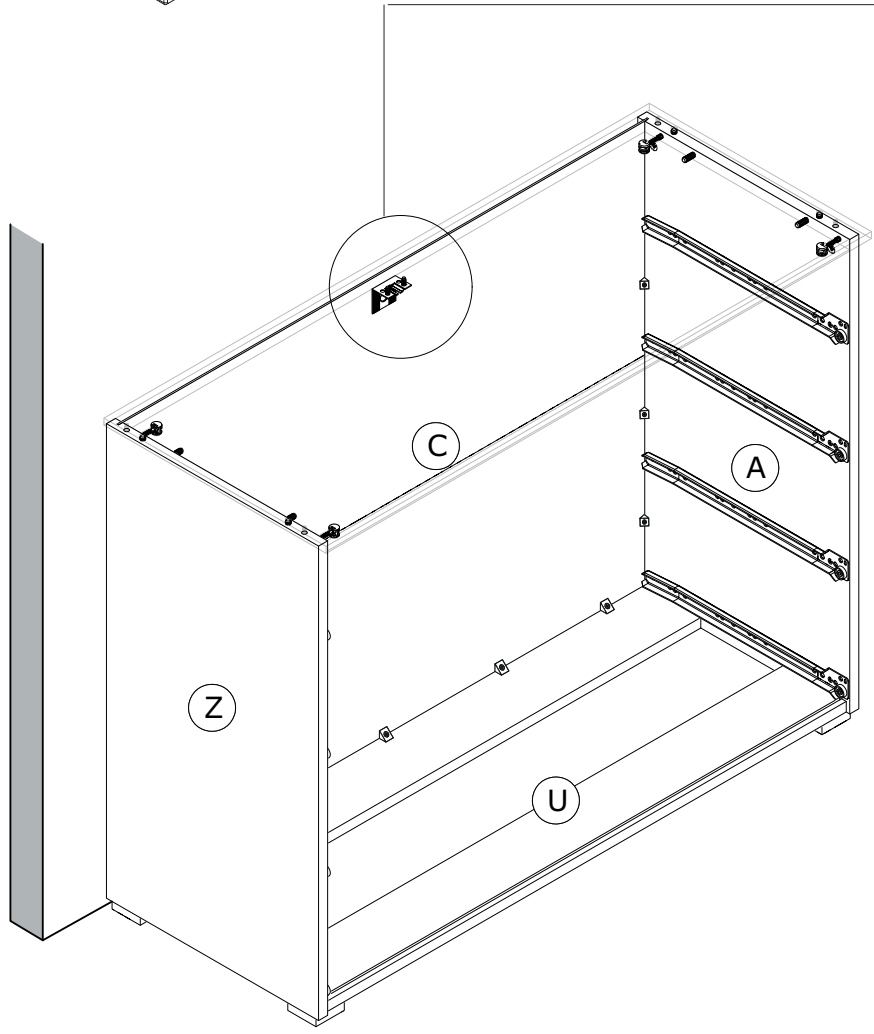
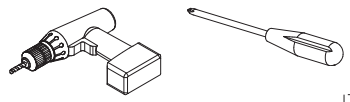
8



9



10



11

16x

