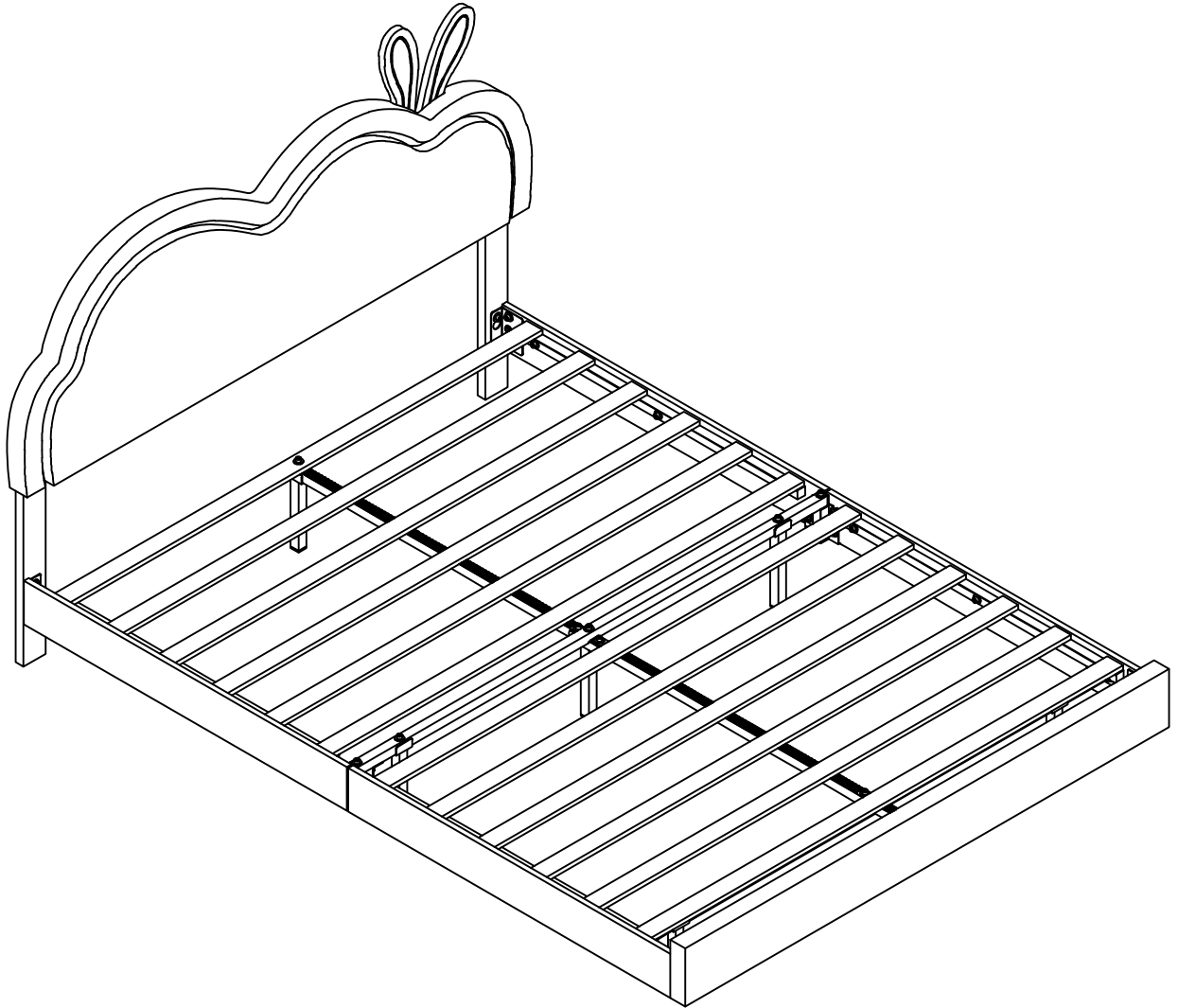
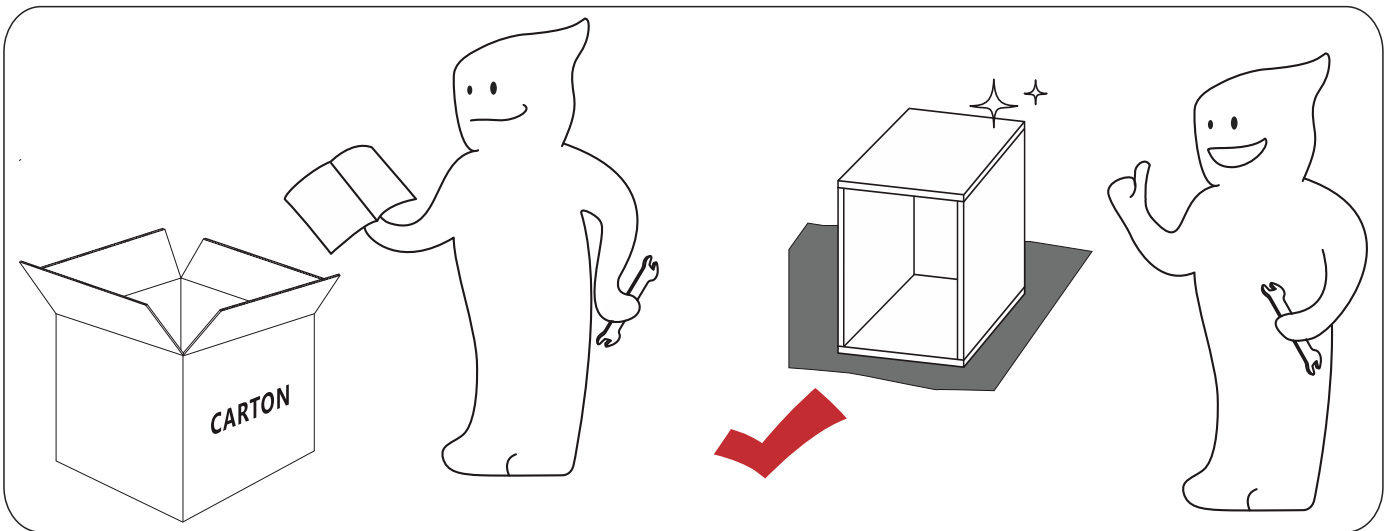
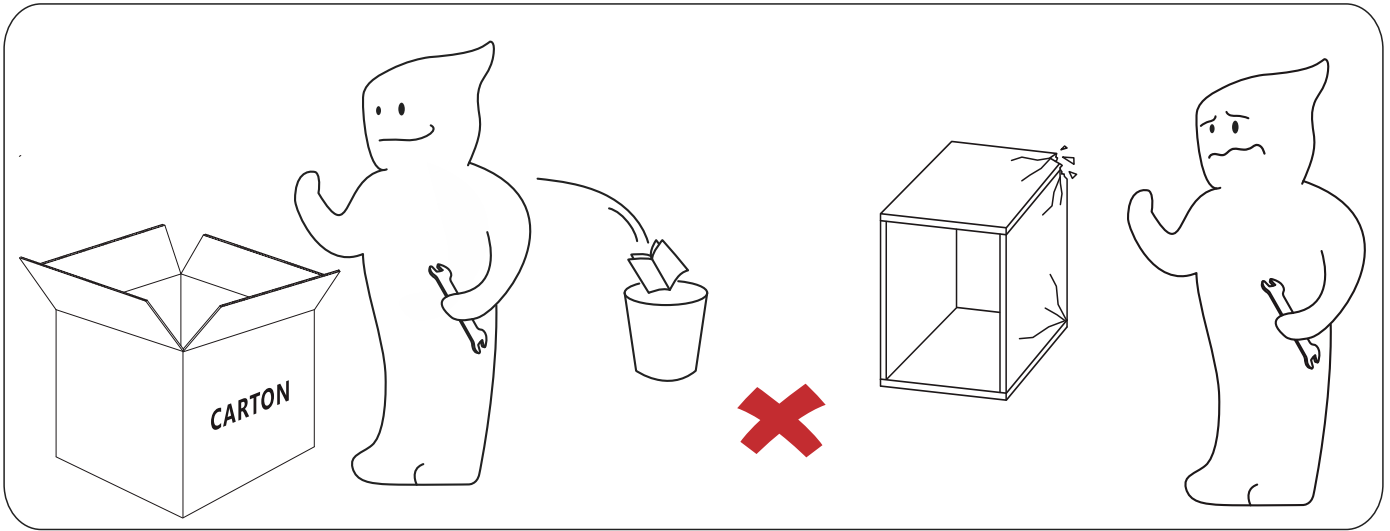


# Floating Bed Frame



# ! IMPORTANT

Please follow the instruction manuals and use a pad to protect the product during your assembly.



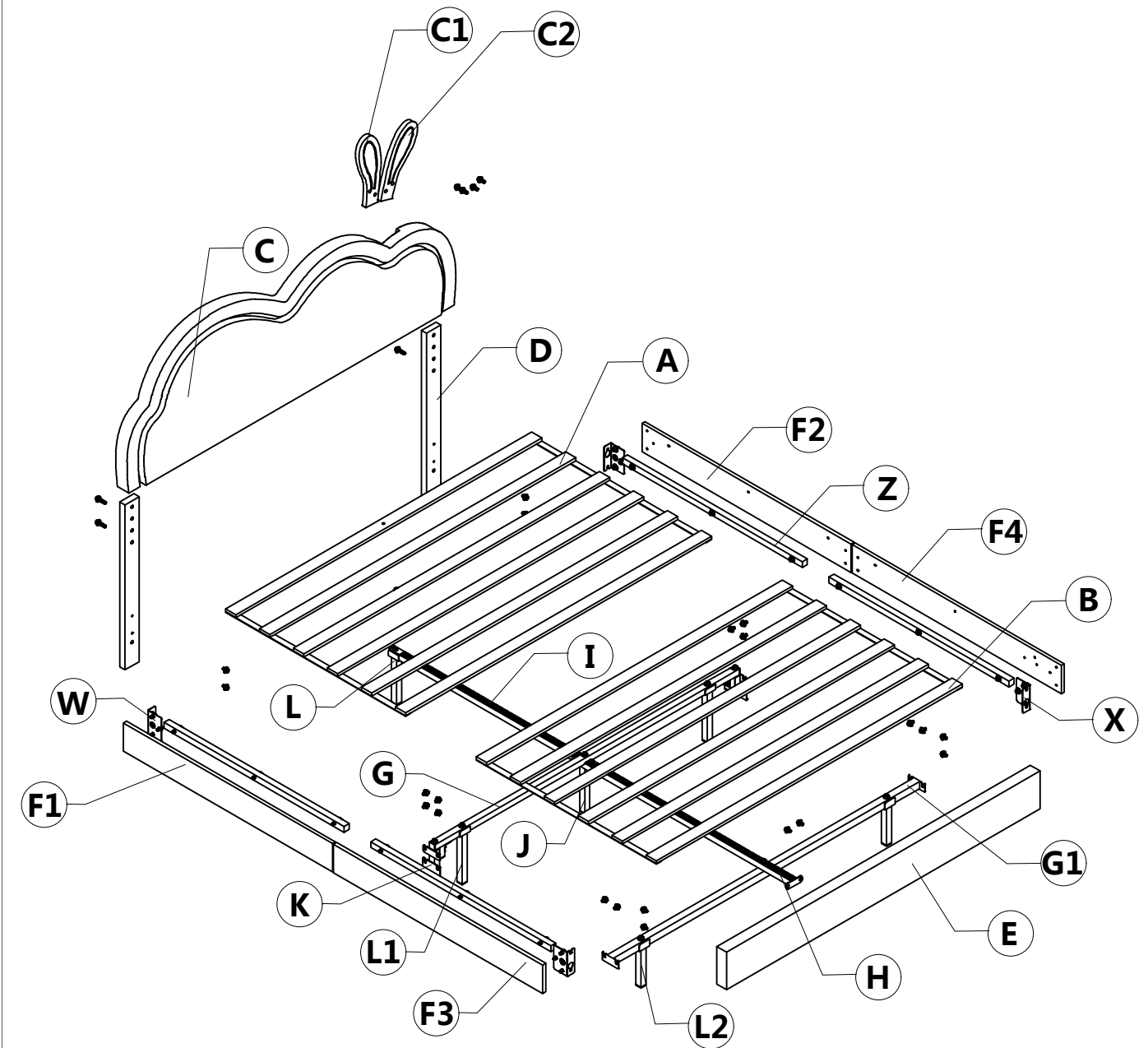
**Note:**

1. Should be assembled on flat ground to keep balance.
2. Before completing the installation, do not tighten the screws.

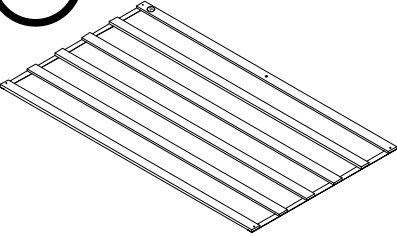
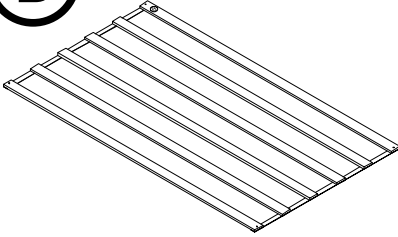
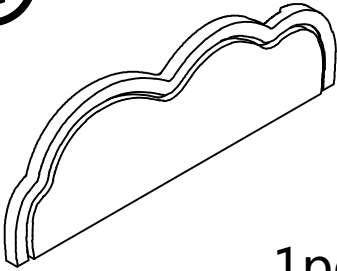



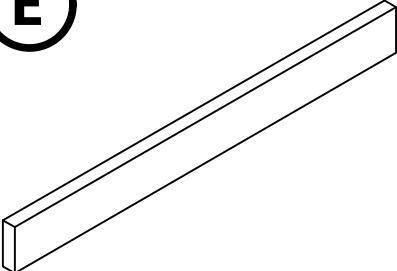
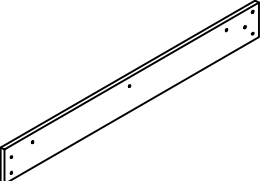
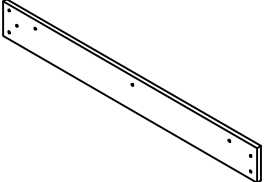
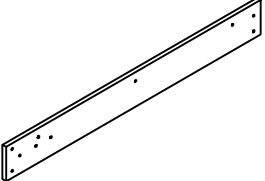
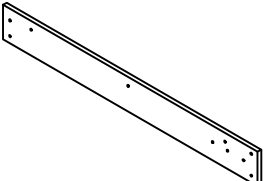
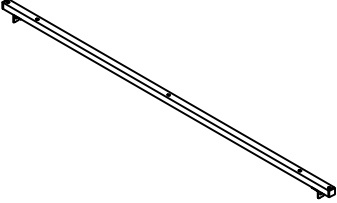
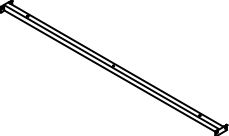
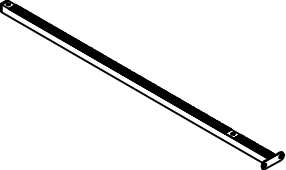
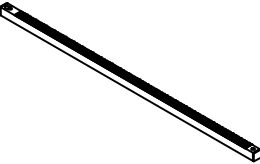
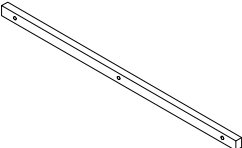


For easier and better assembly, **2** or more adults are required.

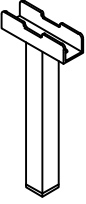
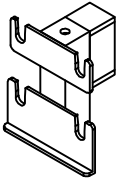
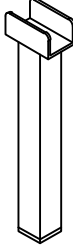
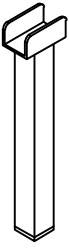
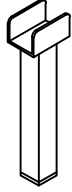
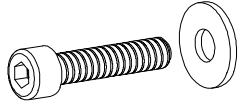
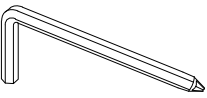
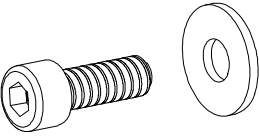
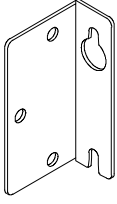
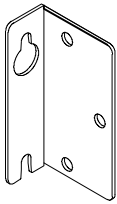
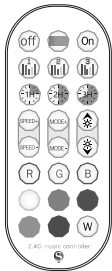
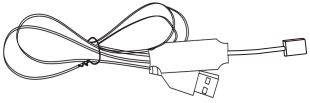
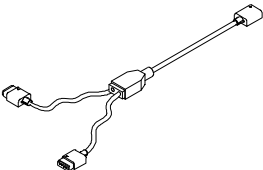
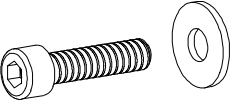
# ASSEMBLY INSTRUCTIONS



**BED FRAME PARTS LIST**

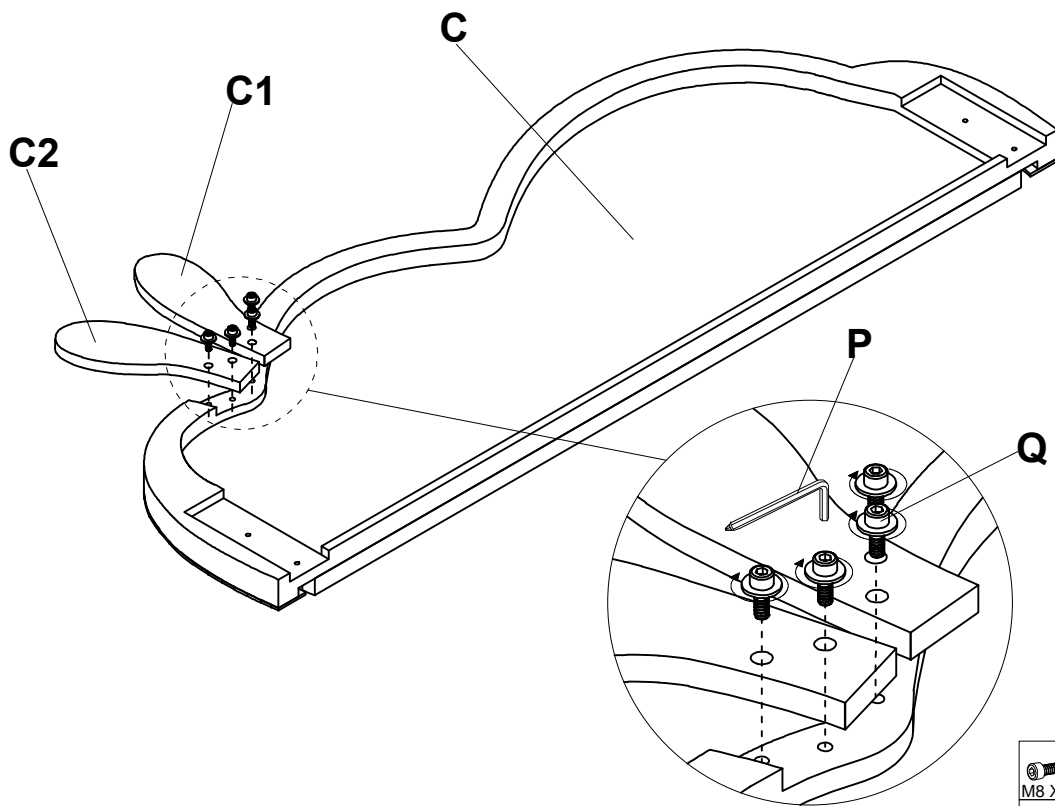
<p><b>(A)</b></p>  <p>1pc</p>	<p><b>(B)</b></p>  <p>1pc</p>	<p><b>(C)</b></p>  <p>1pc</p>	
<p><b>(C1)</b></p>  <p>1pc</p>	<p><b>(C2)</b></p>  <p>1pc</p>	<p><b>(D)</b></p>  <p>2pcs</p>	
<p><b>(E)</b></p>  <p>1pc</p>	<p><b>(F1)</b></p>  <p>1pc</p>	<p><b>(F2)</b></p>  <p>1pc</p>	
<p><b>(F3)</b></p>  <p>1pc</p>	<p><b>(F4)</b></p>  <p>1pc</p>	<p><b>(G)</b></p>  <p>1pc</p>	
<p><b>(G1)</b></p>  <p>1pc</p>	<p><b>(H)</b></p>  <p>1pc</p>	<p><b>(I)</b></p>  <p>1pc</p>	<p><b>(Z)</b></p>  <p>4pcs</p>

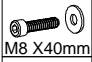

**FITTING PARTS LIST**

<p><b>(J)</b></p>  <p>1pc</p>	<p><b>(K)</b></p>  <p>2pcs</p>	<p><b>(L)</b></p>  <p>1pc</p>
<p><b>(L1)</b></p>  <p>2pcs</p>	<p><b>(L2)</b></p>  <p>2pcs</p>	<p><b>(N)</b></p>  <p>M8 X45mm 11pcs+1pc</p>
<p><b>(P)</b></p>  <p>M8 Spanner 1pc</p>	<p><b>(Q)</b></p>  <p>M8 X25mm 2pcs</p>	<p><b>(W)</b></p>  <p>2pcs</p>
<p><b>(X)</b></p>  <p>2pcs</p>	<p><b>(W1)</b></p>  <p>1pc</p>	<p><b>(X1)</b></p>  <p>1pc</p>
<p><b>(X2)</b></p>  <p>1pc</p>	<p><b>(Y)</b></p>  <p>M8 X40mm 20pcs+1pc</p>	

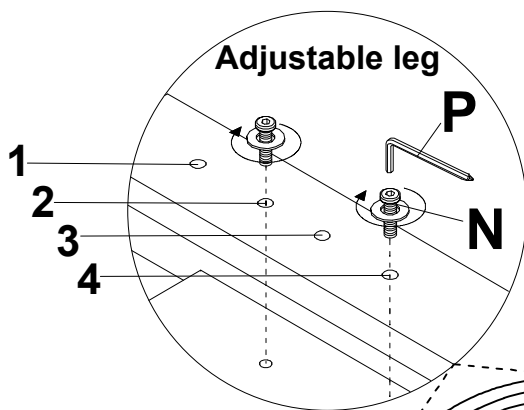
# ASSEMBLY INSTRUCTIONS

## STEP 1

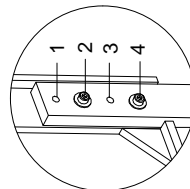


 M8 X40mm	Y x 4pcs
	P x 1pc

## STEP 2

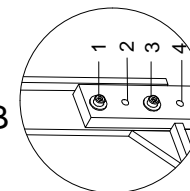


Plan A

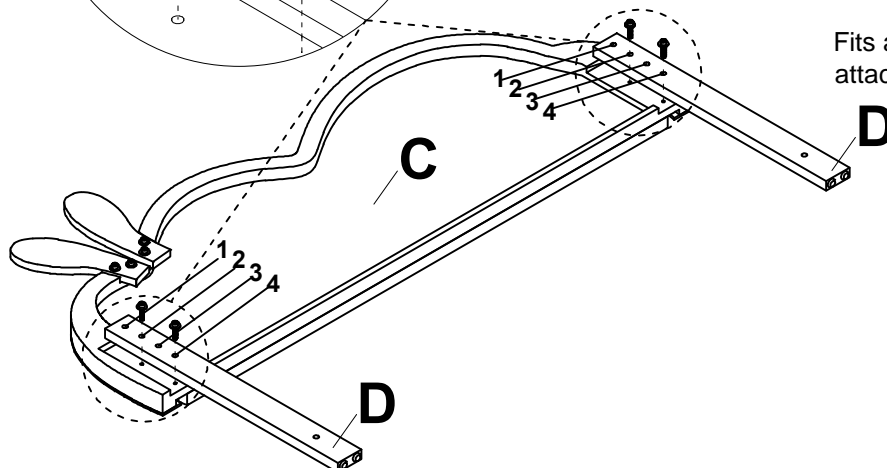




Fits a 10 inch thick mattress when attach screws to Hole 2 & Hole 4.

Plan B

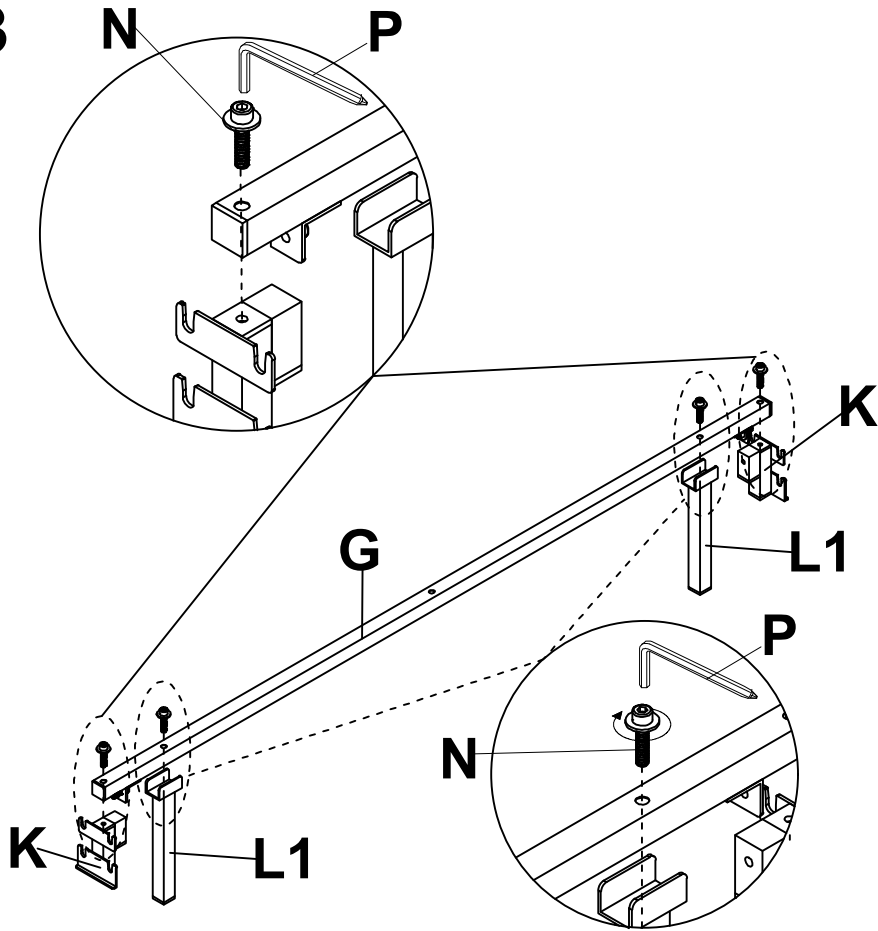




Fits a 12 inch thick mattress when attach screws to Hole 1 & Hole 3.



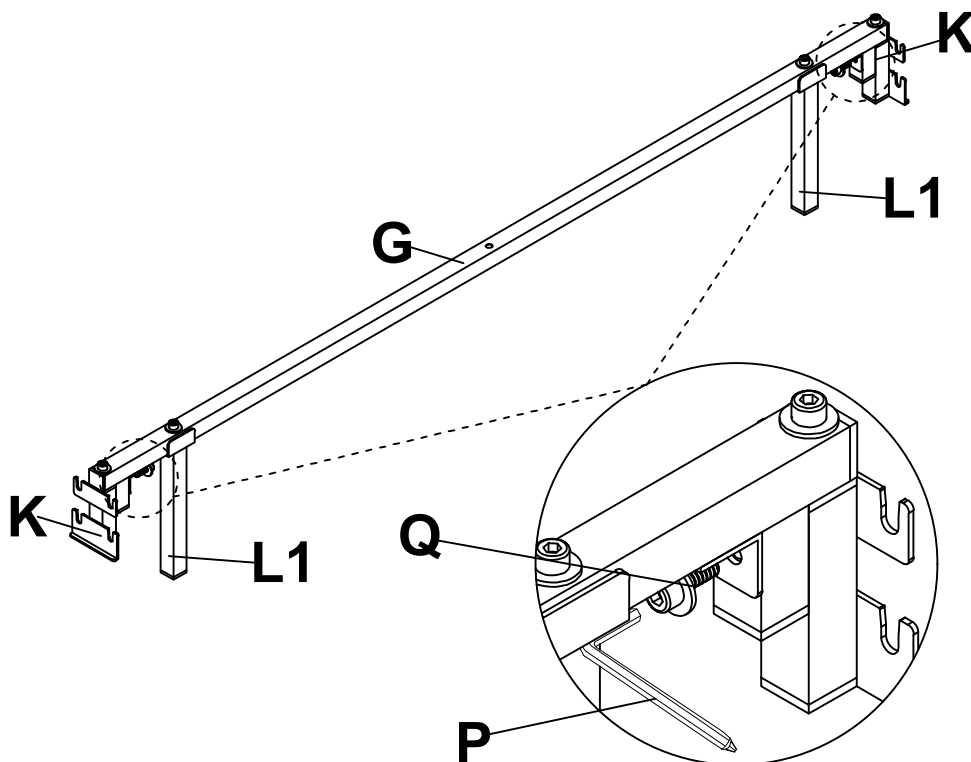
 M8 X40mm	Y x 4pcs
	P x 1pc



## STEP 3



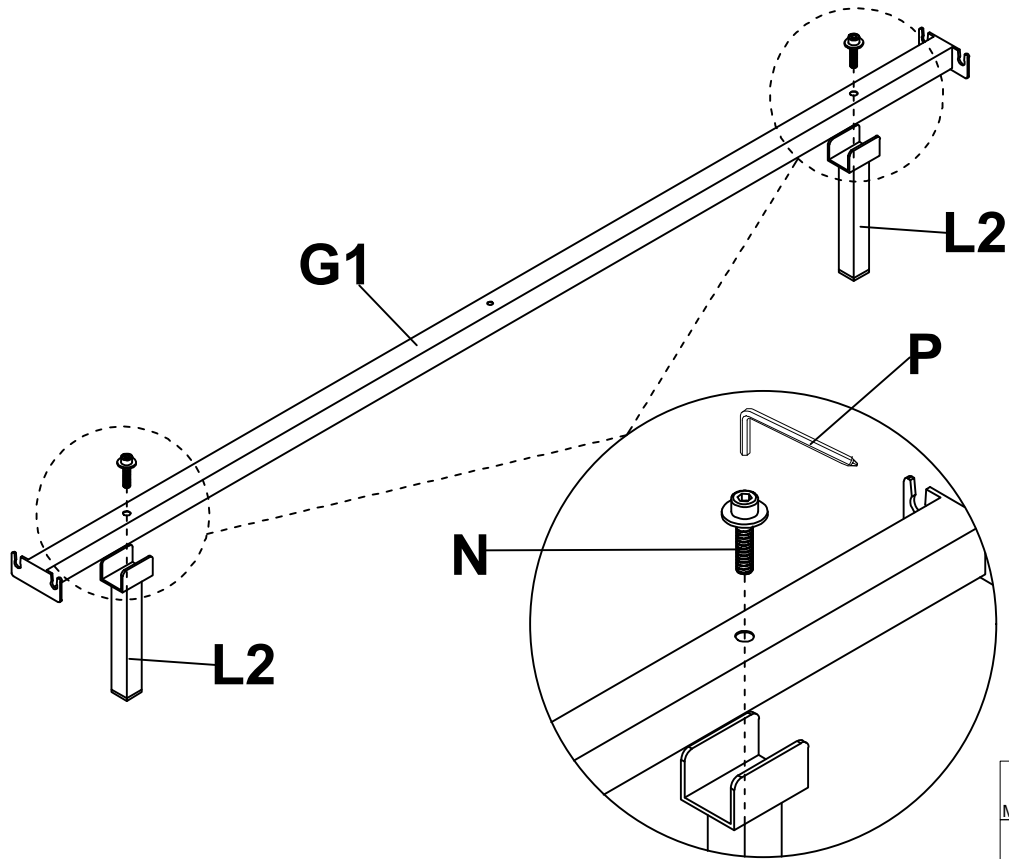
 M8 X45mm	N x 4pcs
	P x 1pc

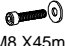
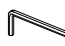
## STEP 4



 M8 X25mm	Q x 2pcs
	P x 1pc

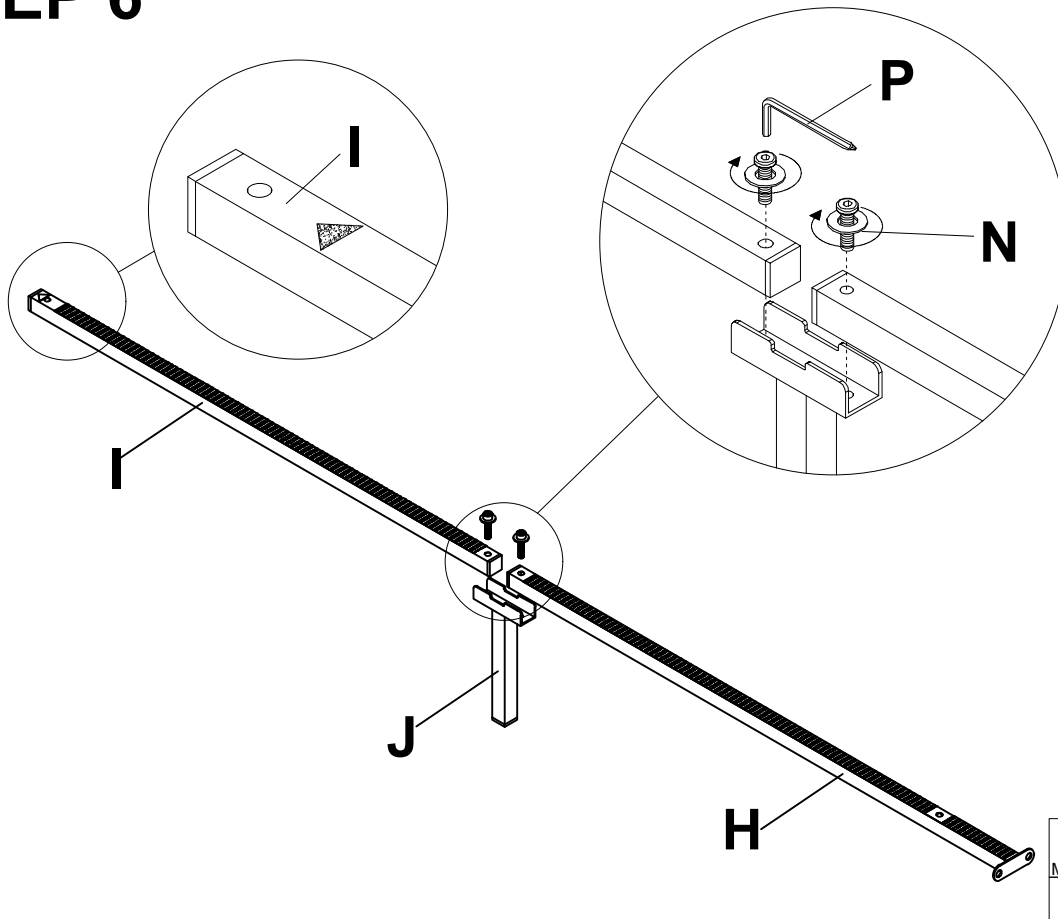
## STEP 5





 M8 X45mm	<b>N x 2pcs</b>
	<b>P x 1pc</b>

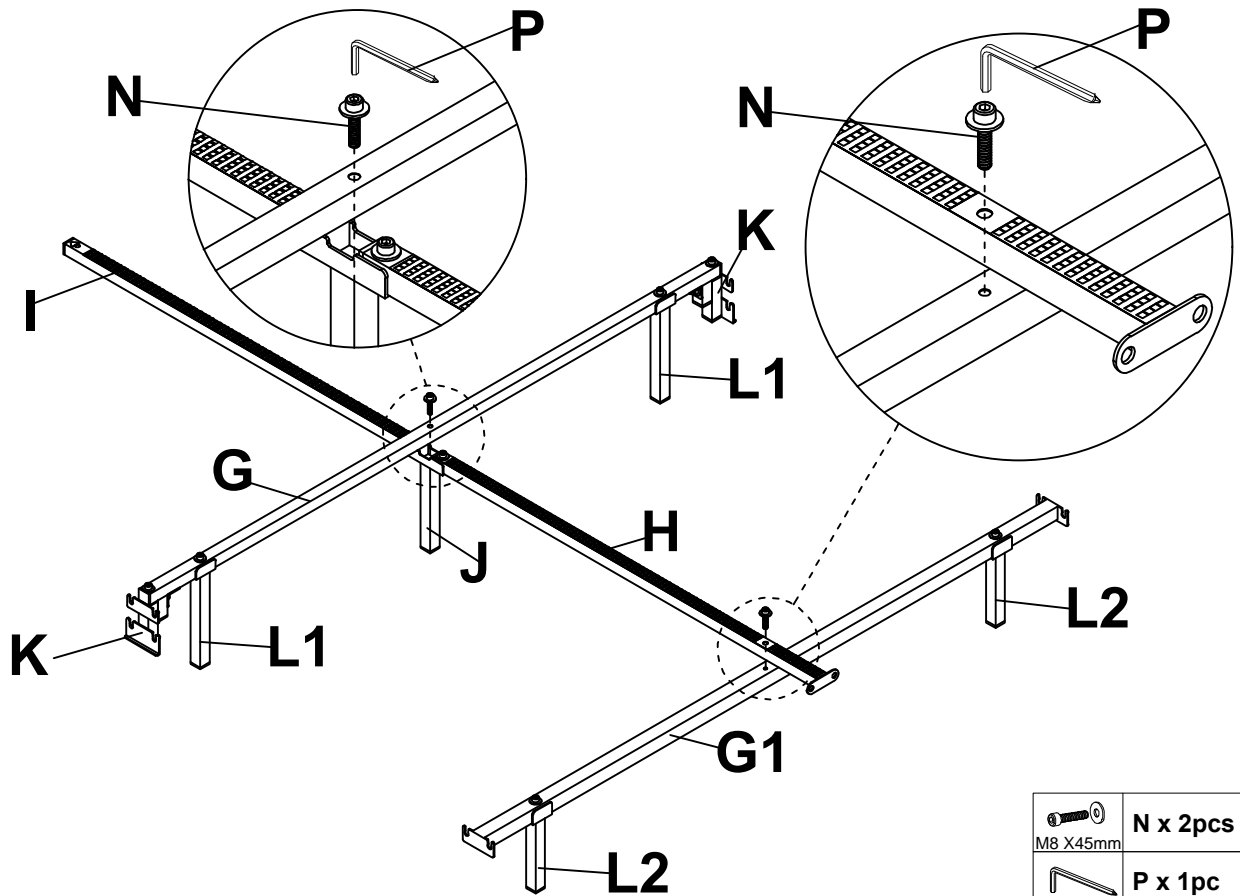
## STEP 6


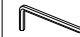
Noted that the red arrow is pointing towards the front.



 M8 X45mm	<b>N x 2pcs</b>
	<b>P x 1pc</b>

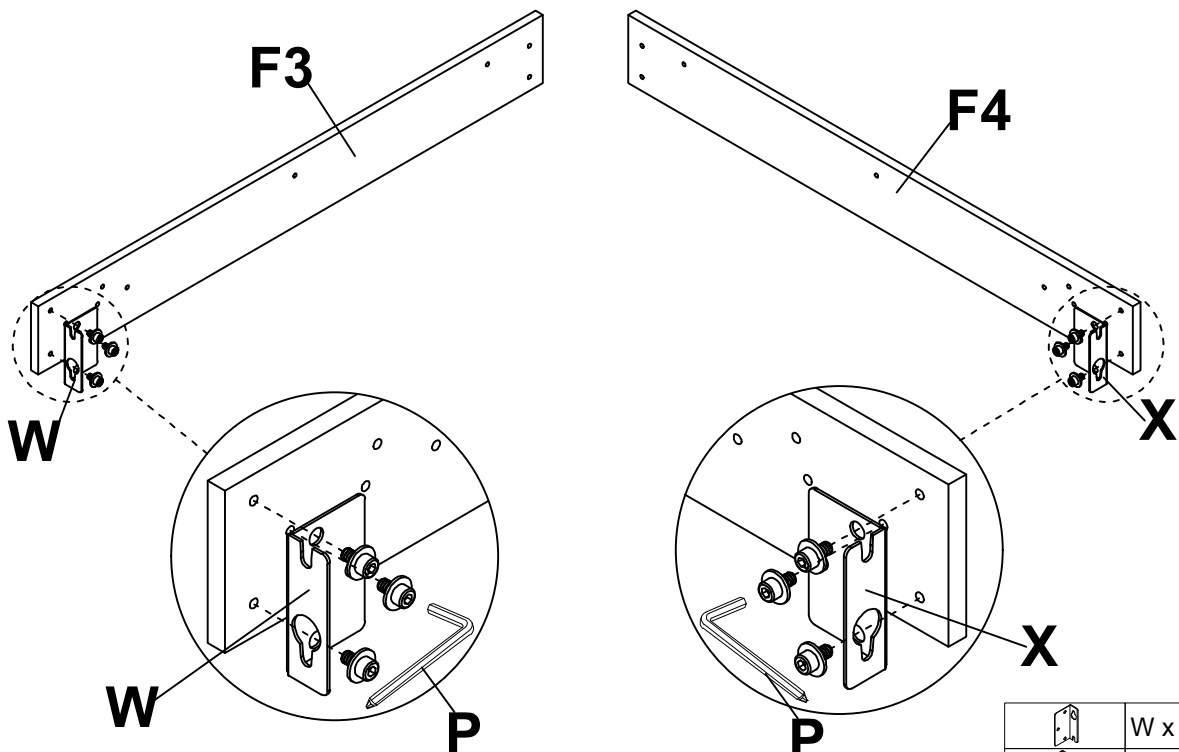
## STEP 7

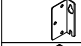




	N x 2pcs
M8 X45mm	
	P x 1pc

## STEP 8

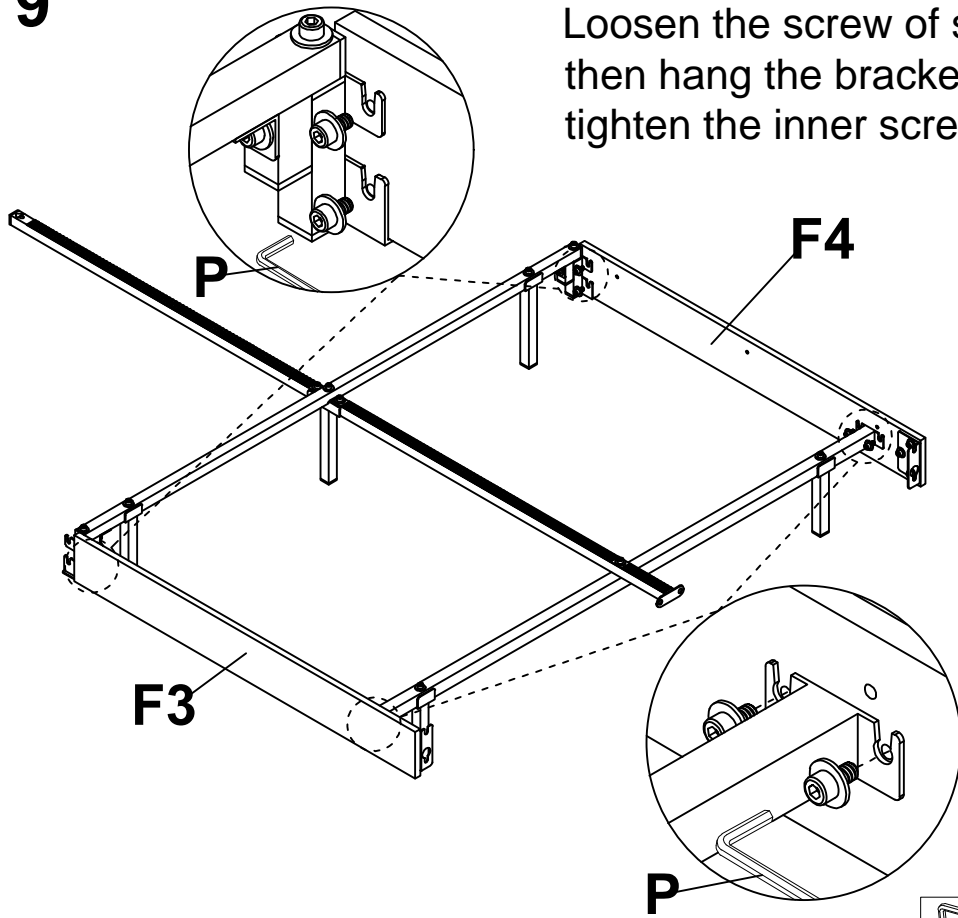
Remove the pre-screwed screws on the panel first, and using these screws to cross the holes on the bracket and tighten the inner screws to lock the bracket.  
 Note: The installation direction is as shown in the picture.



	W x 1PC
	X x 1PC
	P x 1PC

## STEP 9

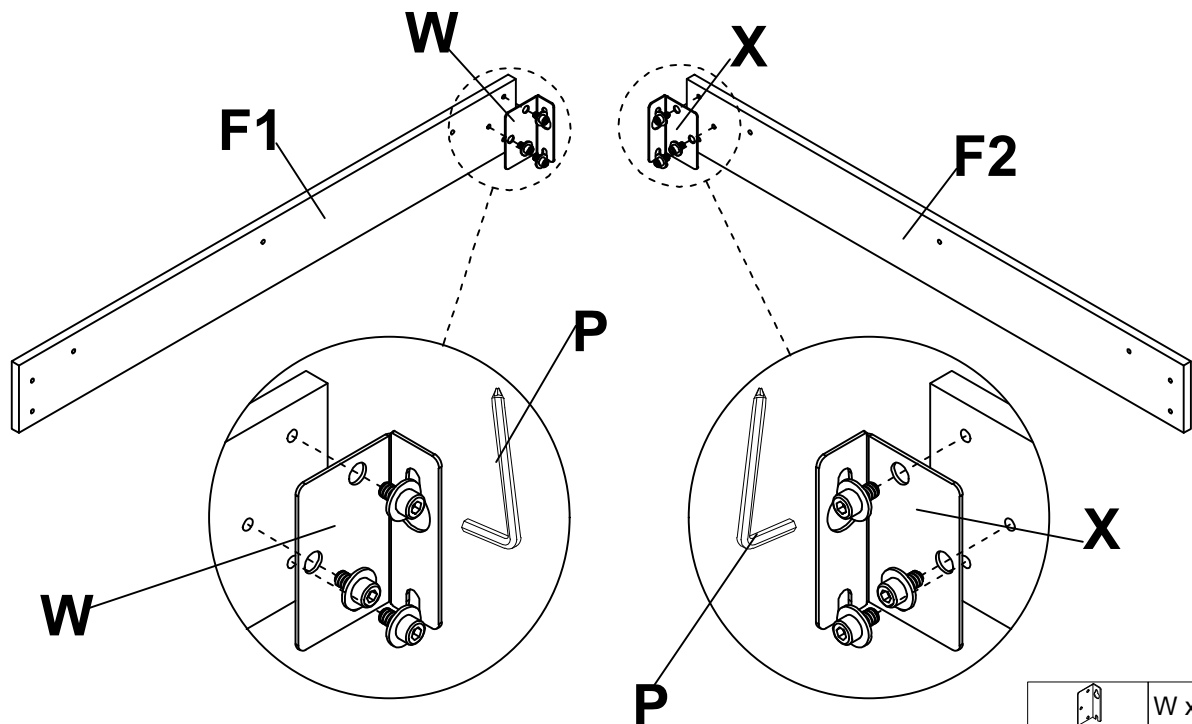
Loosen the screw of side panel, then hang the bracket on and tighten the inner screws.

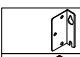




	P x 1PC
---	---------

## STEP 10

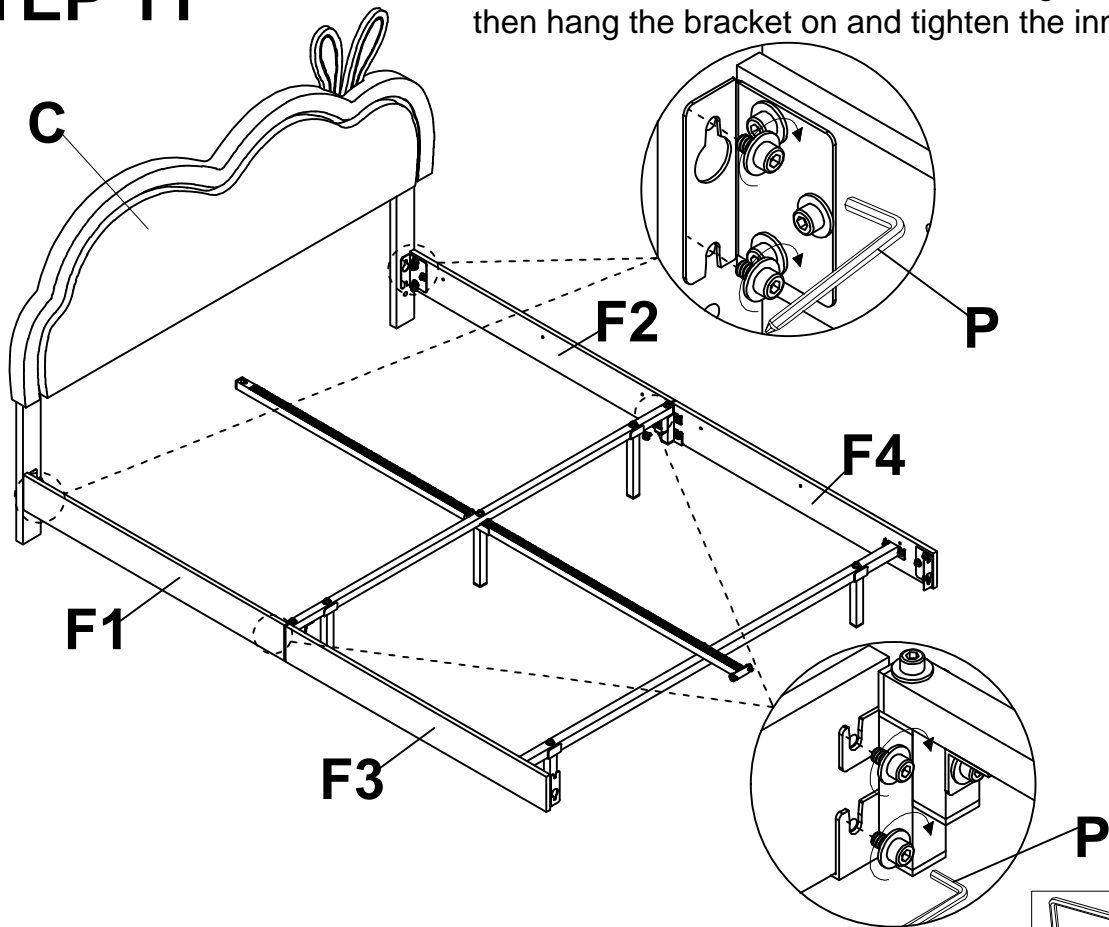
Remove the pre-screwed screws on the panel first, and using these screws to cross the holes on the bracket and tighten the inner screws to lock the bracket.  
Note: The installation direction is as shown in the picture.



	W x 1PC
	X x 1PC
	P x 1PC

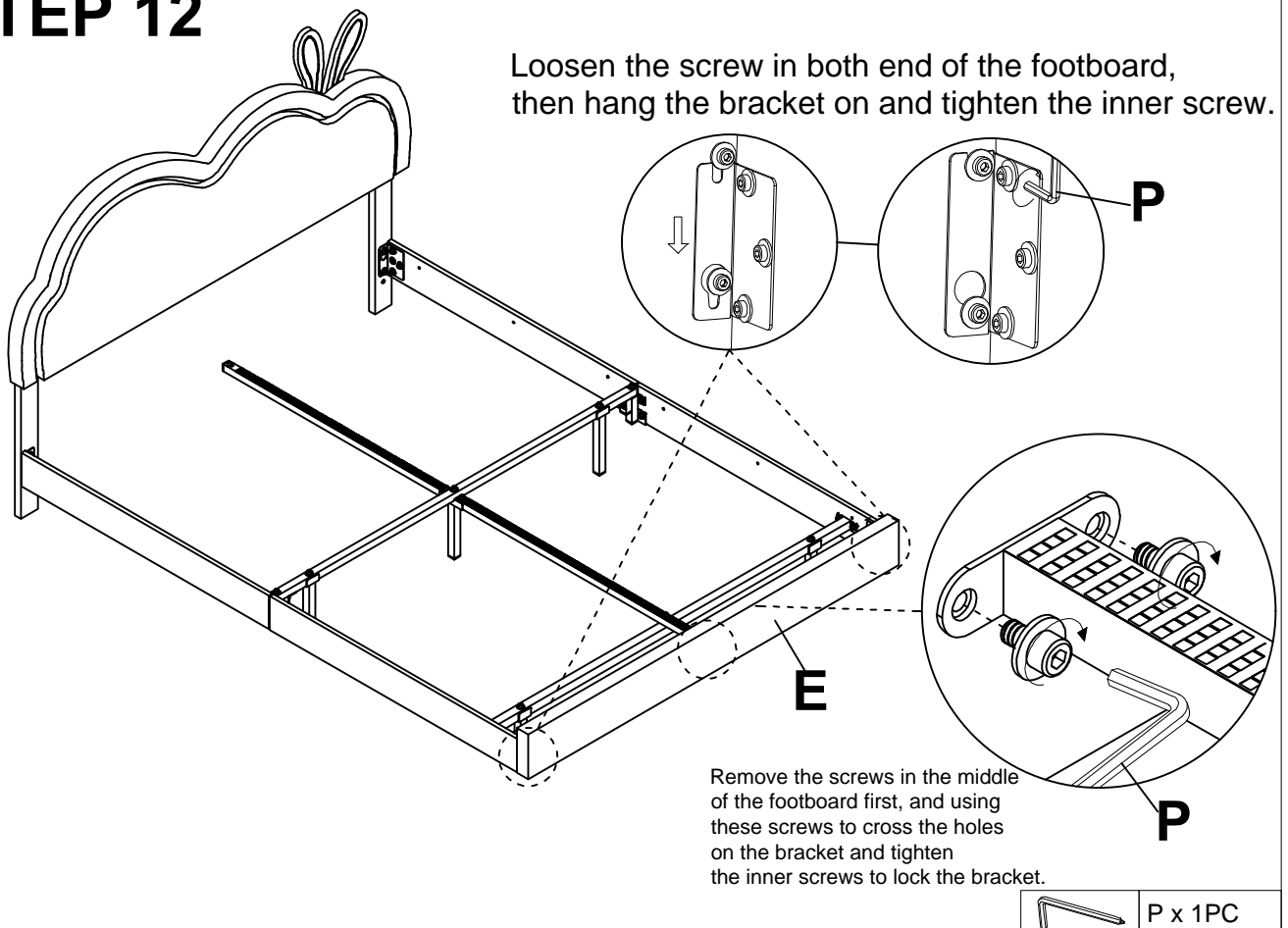
## STEP 11

Loosen the screw of headboard side leg, then hang the bracket on and tighten the inner screws.

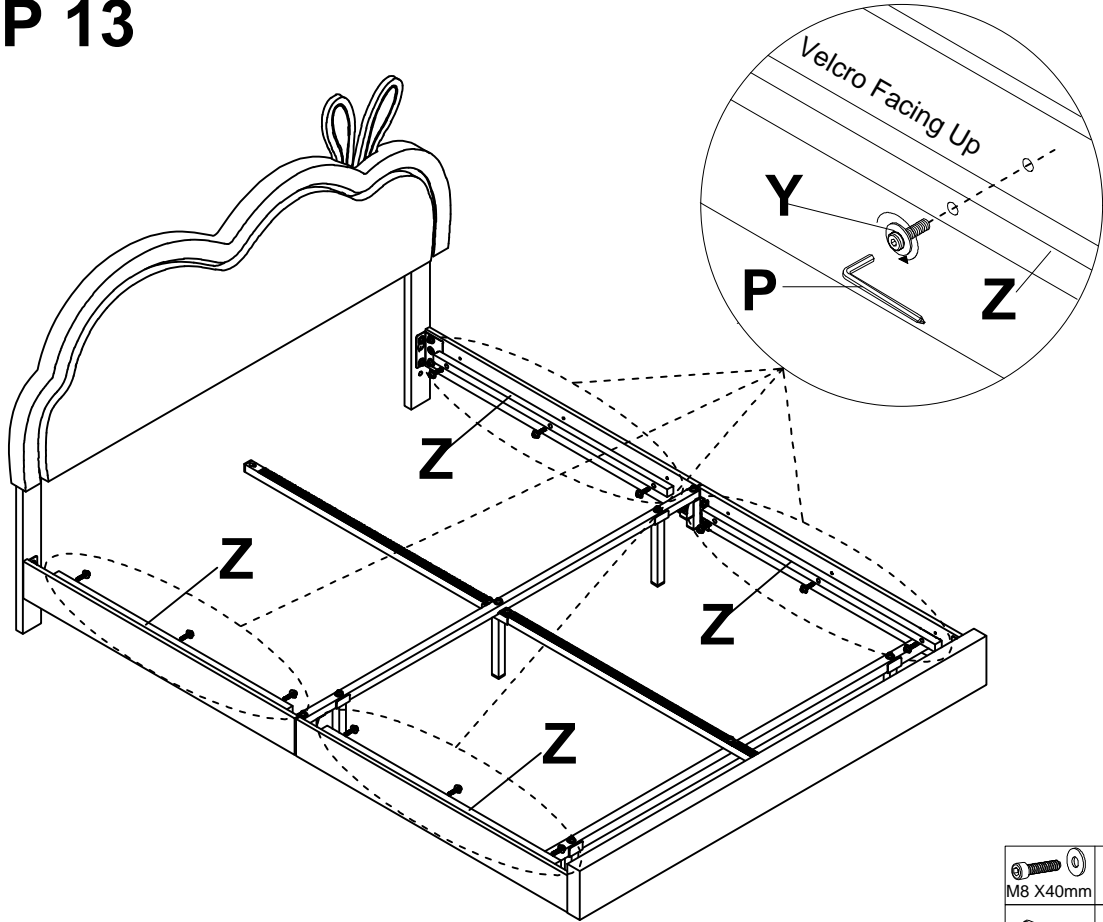




## STEP 12

Loosen the screw in both end of the footboard, then hang the bracket on and tighten the inner screw.

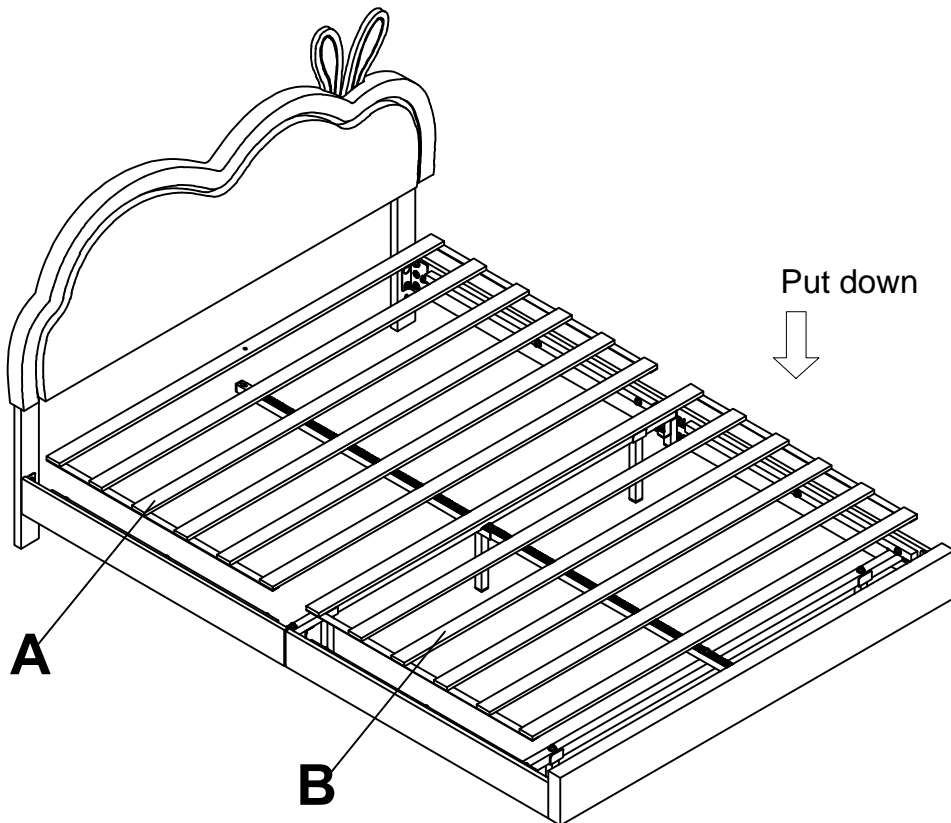


## STEP 13

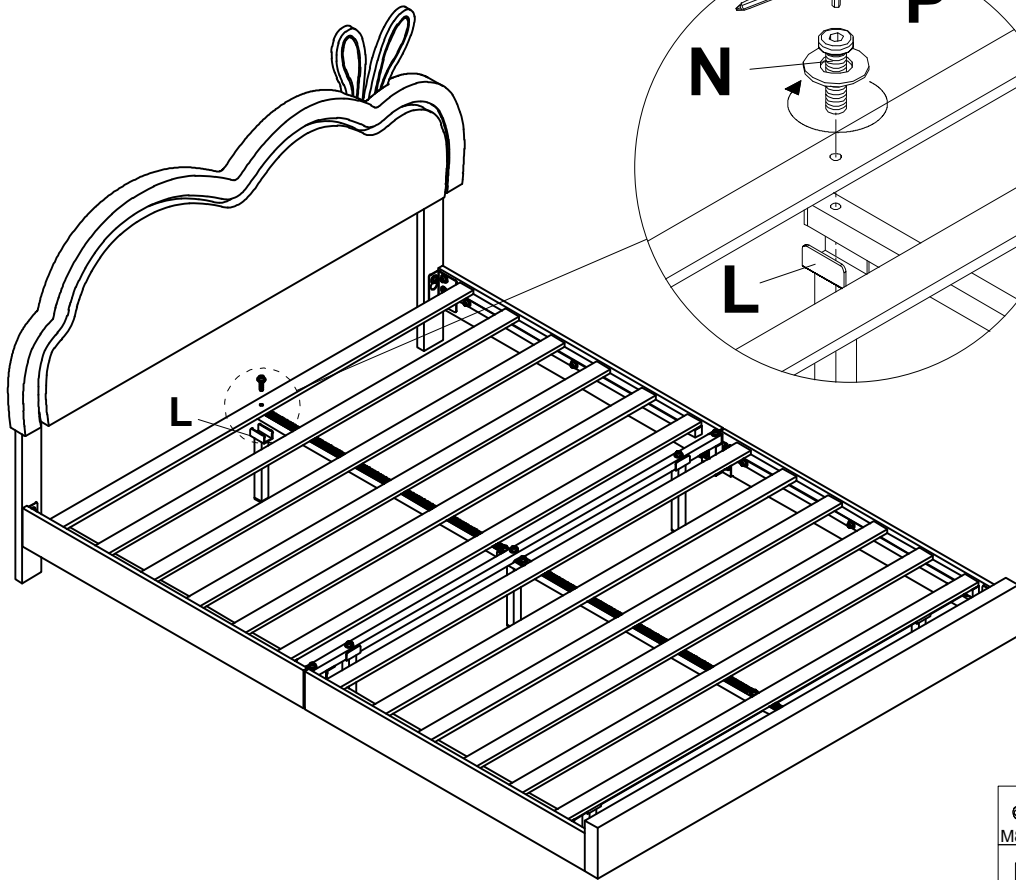


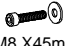

 M8 X40mm	<b>Y x 12pcs</b>
	<b>P x 1pc</b>

## STEP 14

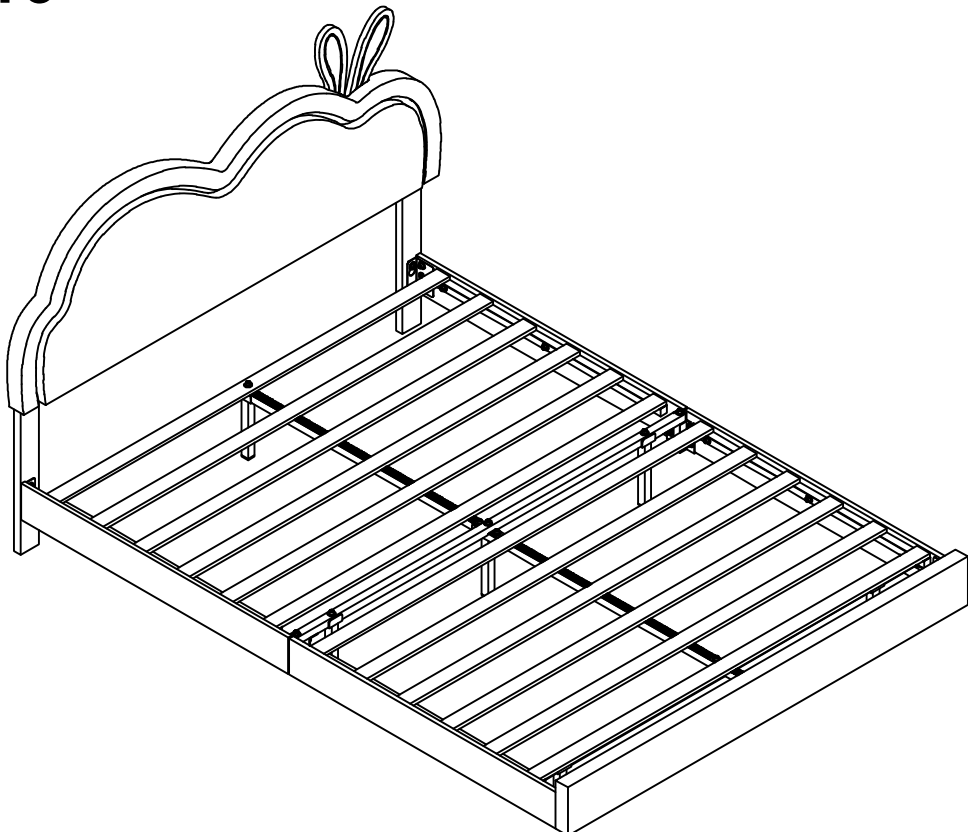


# STEP 15

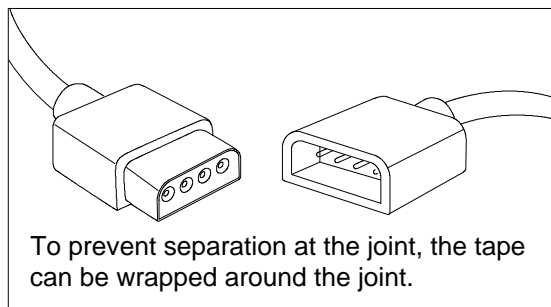


 M8 X45mm	N x 1pc
	P x 1pc

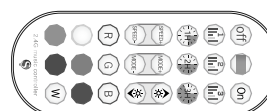
# STEP 16



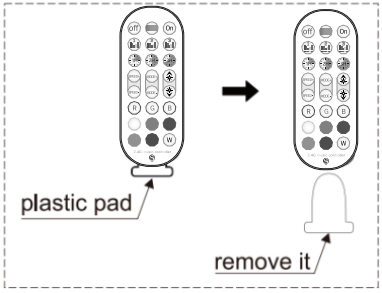
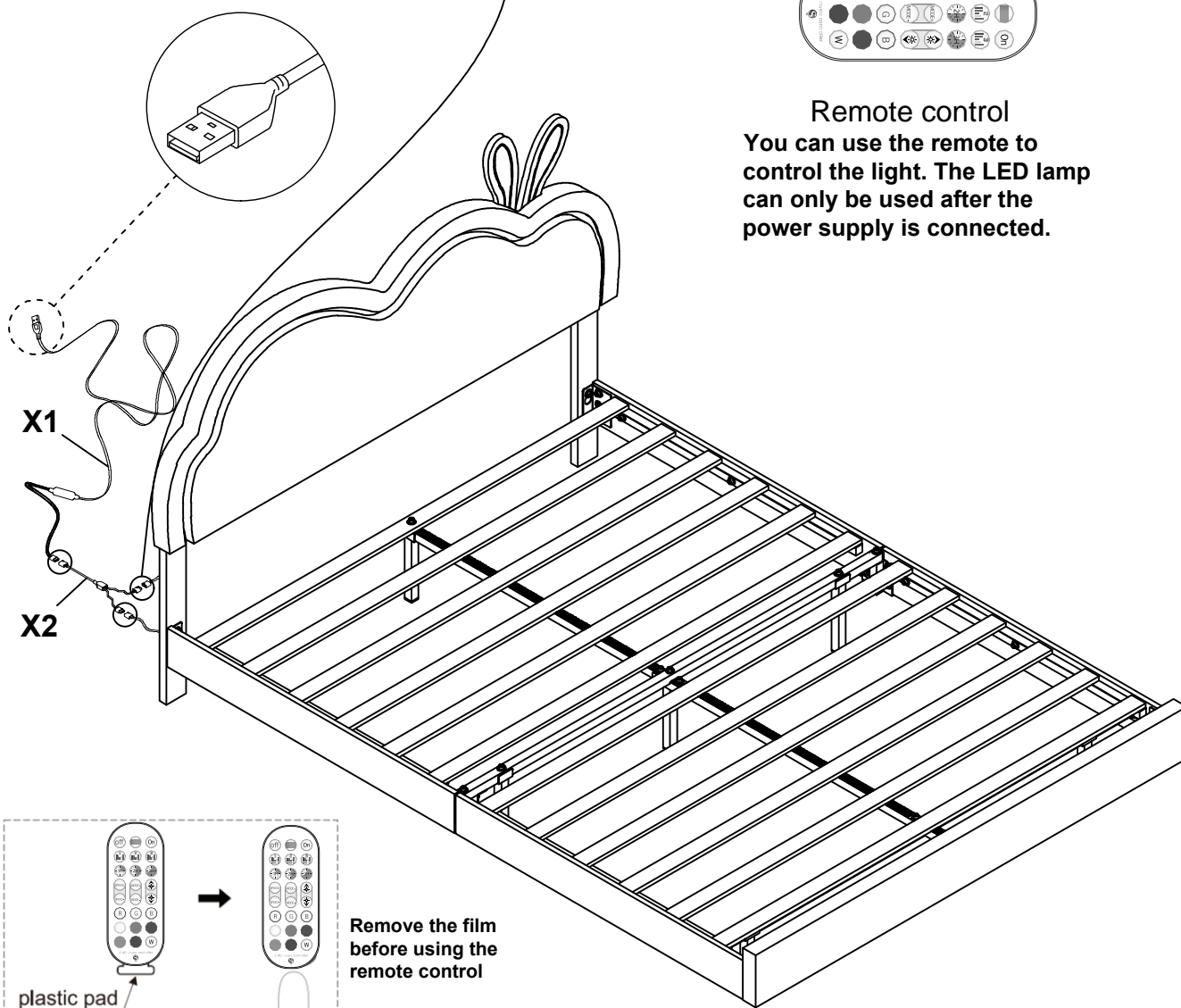
## STEP 17



**NOTE:** The black part of the receiver (X1/X2) needs to be exposed to air in order to better control the LED light.

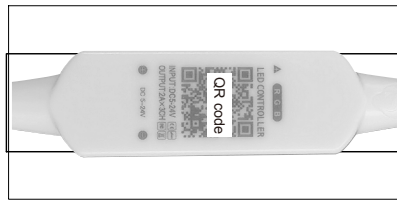




**Remote control**  
You can use the remote to control the light. The LED lamp can only be used after the power supply is connected.



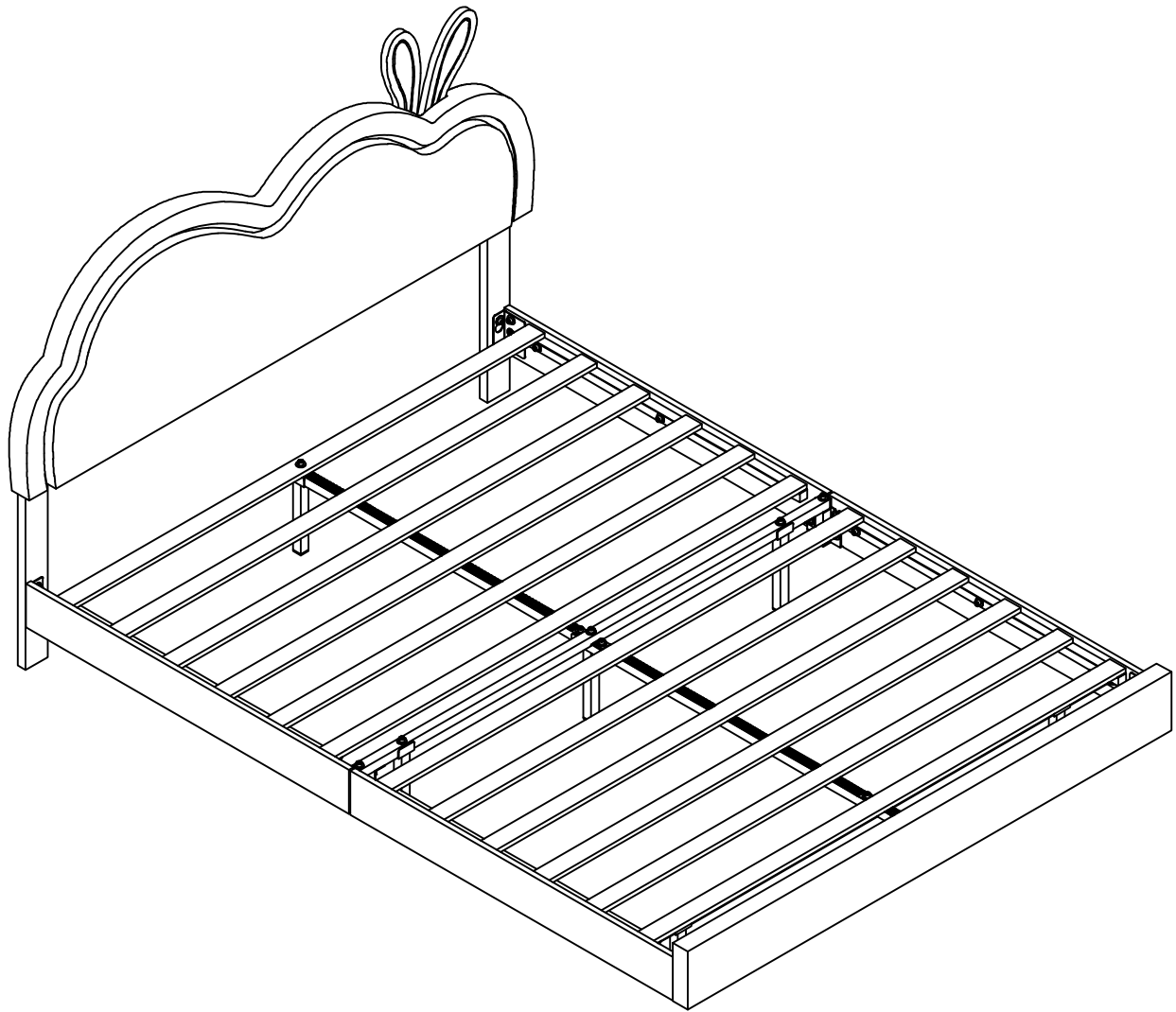
**Remove the film before using the remote control**

Please scan the QR code on the manual/controller and install the application.  
Step1: Please make sure your phone has bluetooth enabled.  
Step2: The LED light will automatically connect to the APP.



	<b>X1 x 1pc</b>
	<b>X2 x 1pc</b>

**STEP 18**



**Installation Complete**