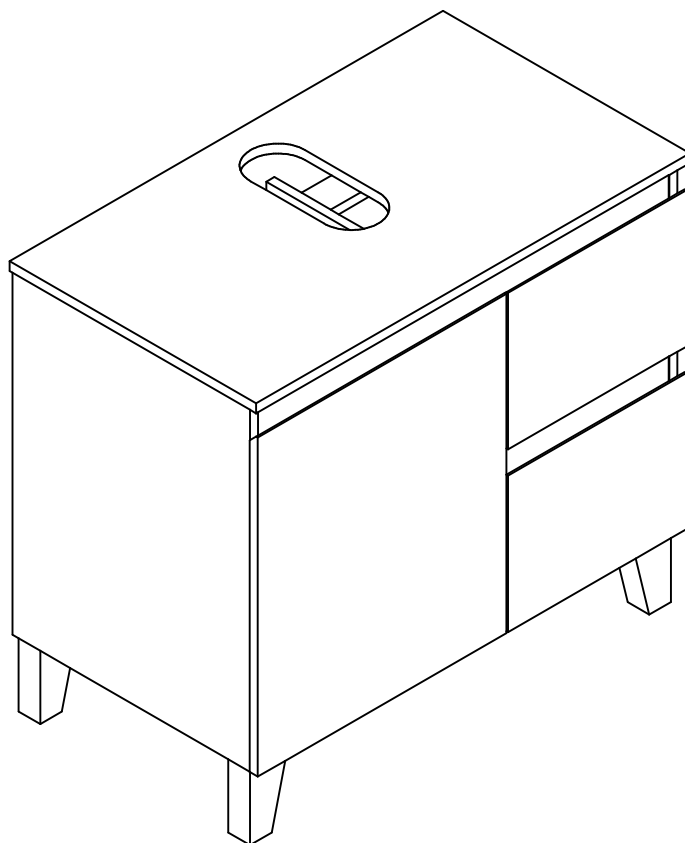




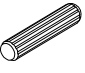

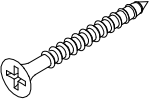

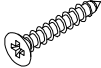
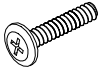
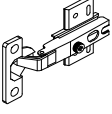

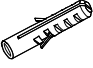
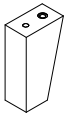
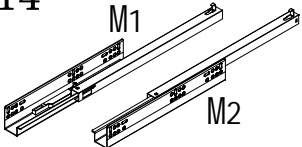
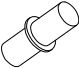
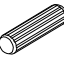
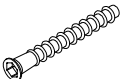

# HN191-80FST

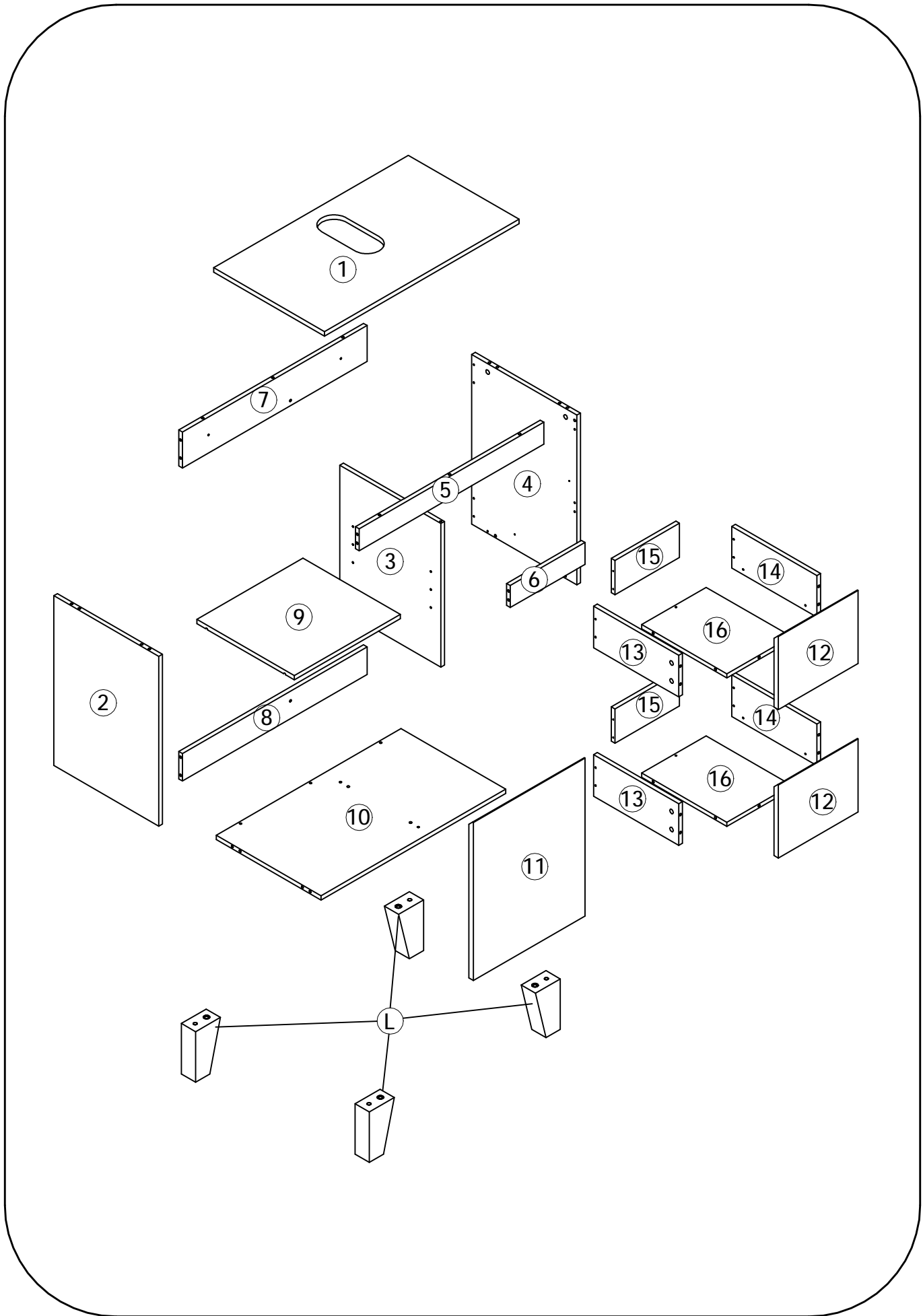
---

## Assembly Instructions



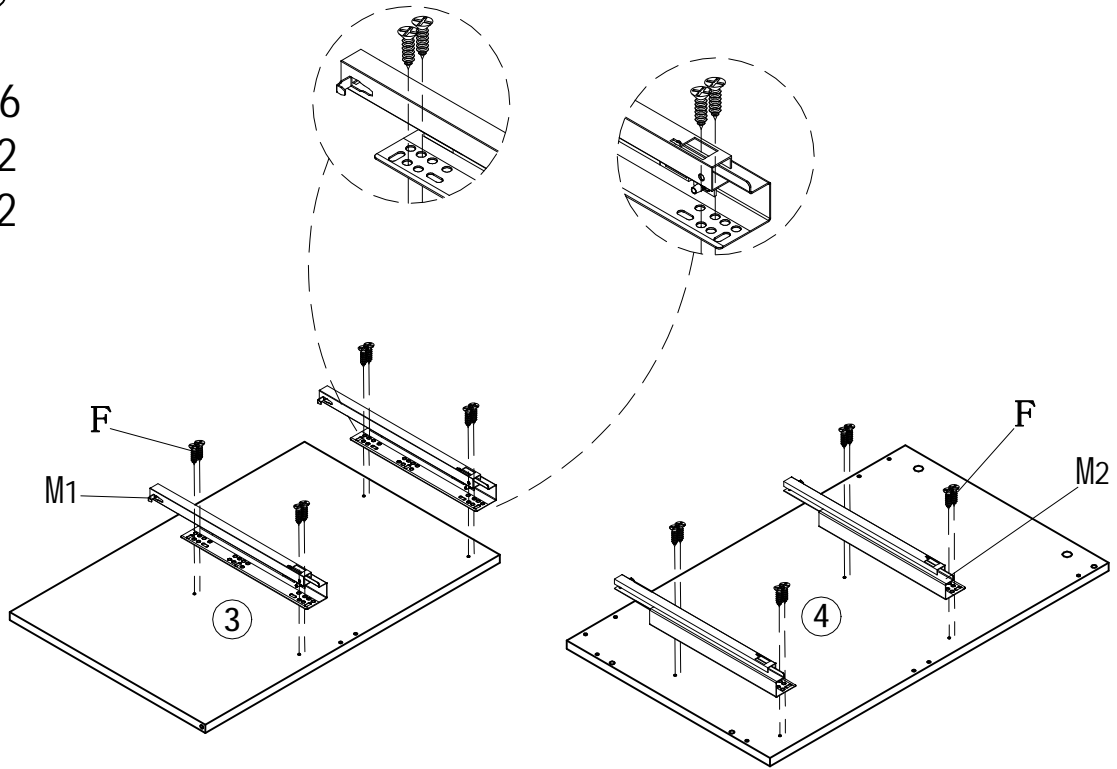
# Assembly Instructions

<p>Ø15x12</p>  <p>A x 46</p>	<p>Ø7x35</p>  <p>B x 46</p>	<p>Ø8x30</p>  <p>C x 16</p>	<p>Ø4x40</p>  <p>D x 10</p>
<p>Ø5x70</p>  <p>E x 2</p>	<p>Ø3.5x14</p>  <p>F x 20</p>	<p>Ø4x16</p>  <p>G x 12</p>	<p>M6x40</p>  <p>H x 4</p>
 <p>I x 2</p>	<p>M6x20</p>  <p>J x 4</p>	<p>Ø7.8x38</p>  <p>K x 2</p>	 <p>L x 4</p>
<p>14"</p>  <p>M x 2</p>	<p>Ø5x16</p>  <p>N x 4</p>	<p>Ø6x30</p>  <p>O x 1</p>	<p>Ø7x48</p>  <p>P x 7</p>
<p>4MM</p>  <p>Q x 1</p>			



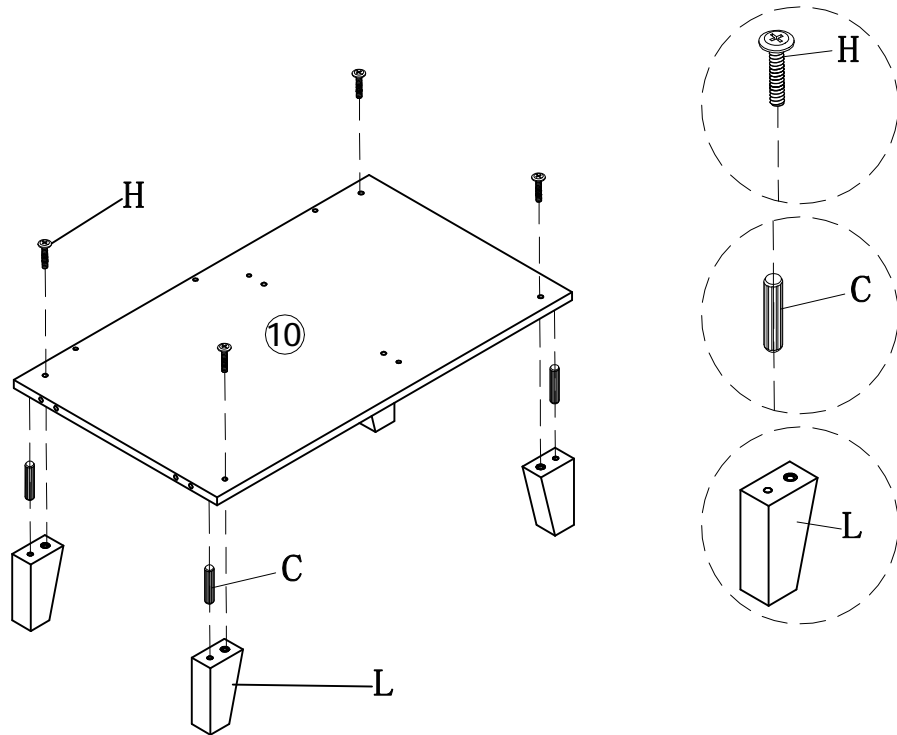
STEP 1

Fx16  
M1x2  
M2x2



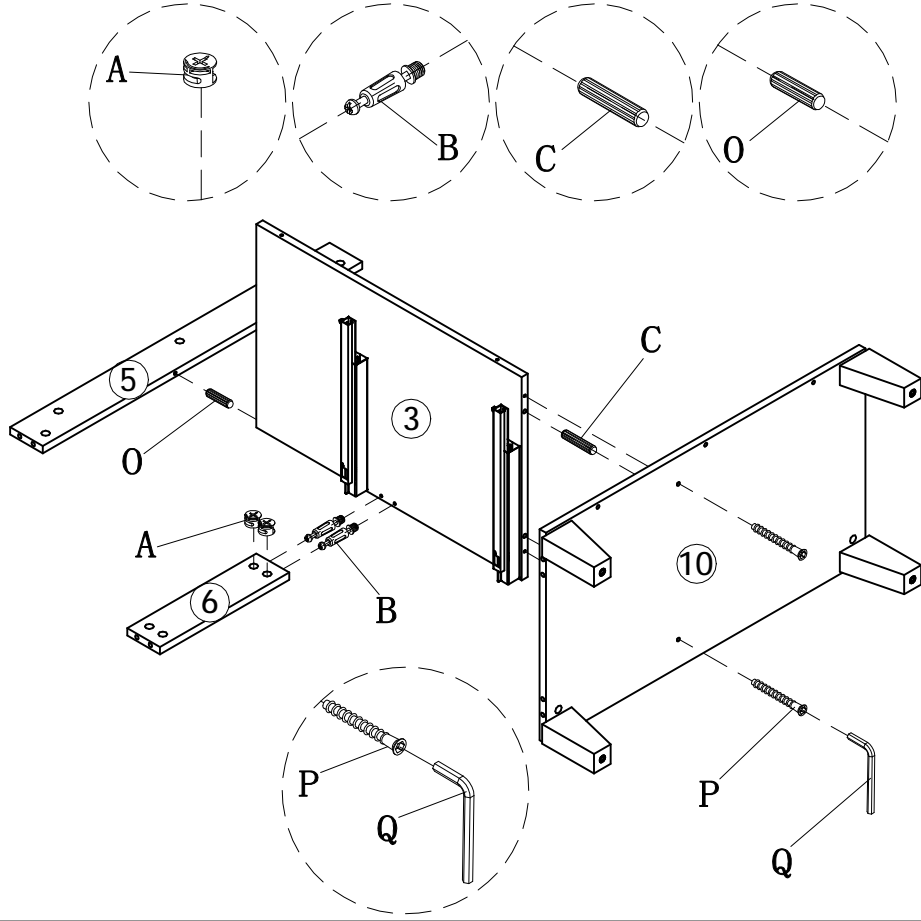
STEP 2

Cx4  
Hx4  
Lx4



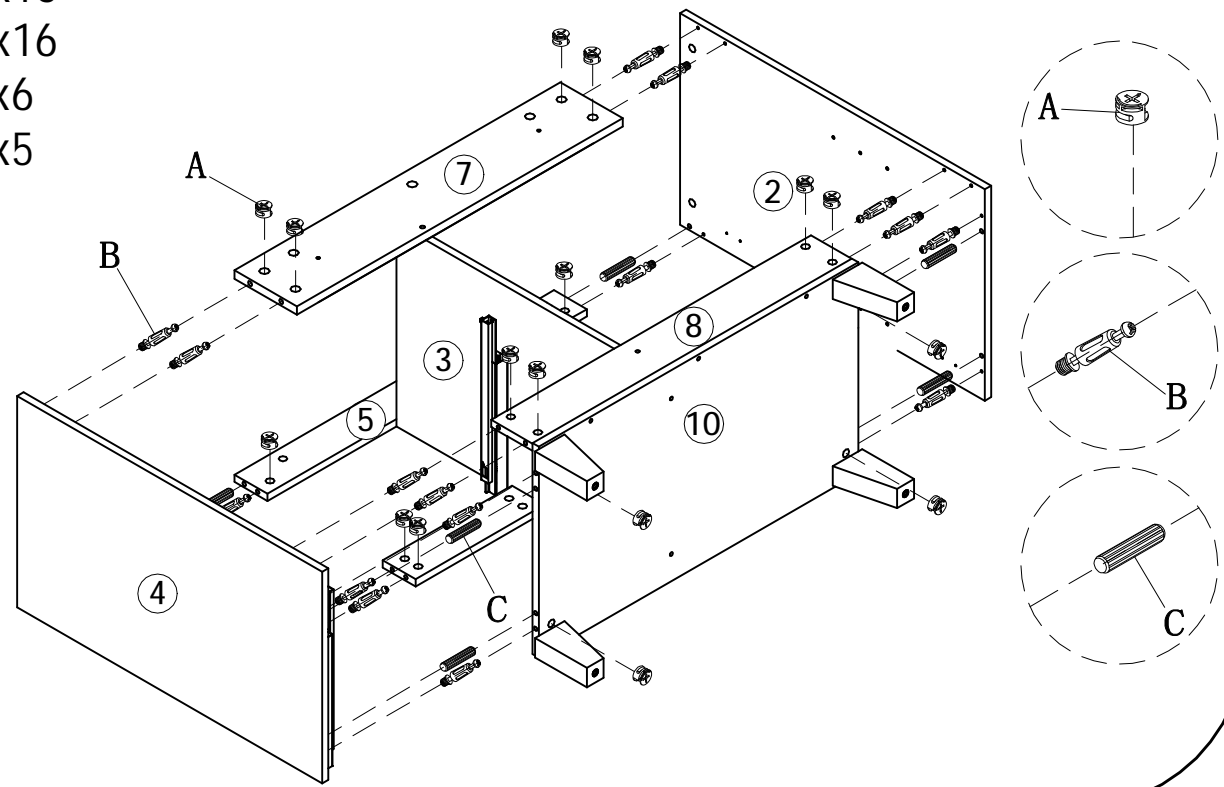
STEP 3

- Ax2
- Bx2
- Cx2
- Ox1
- Px2
- Qx1



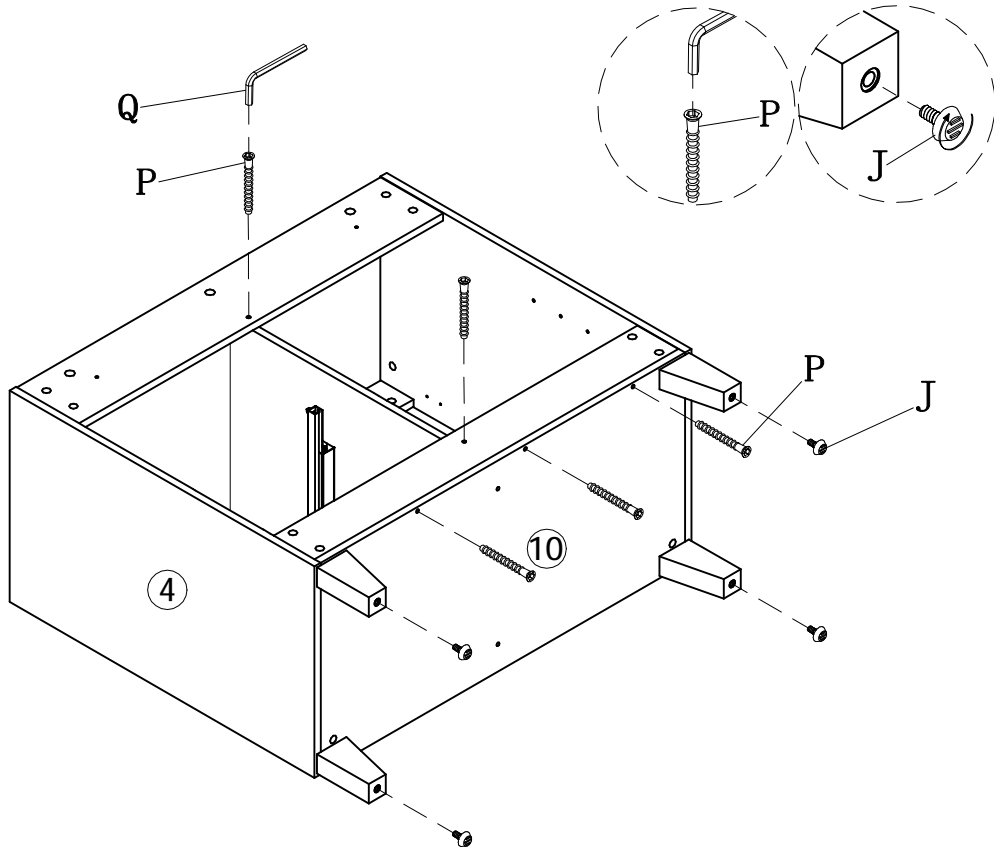
STEP 4

- Ax16
- Bx16
- Cx6
- Px5



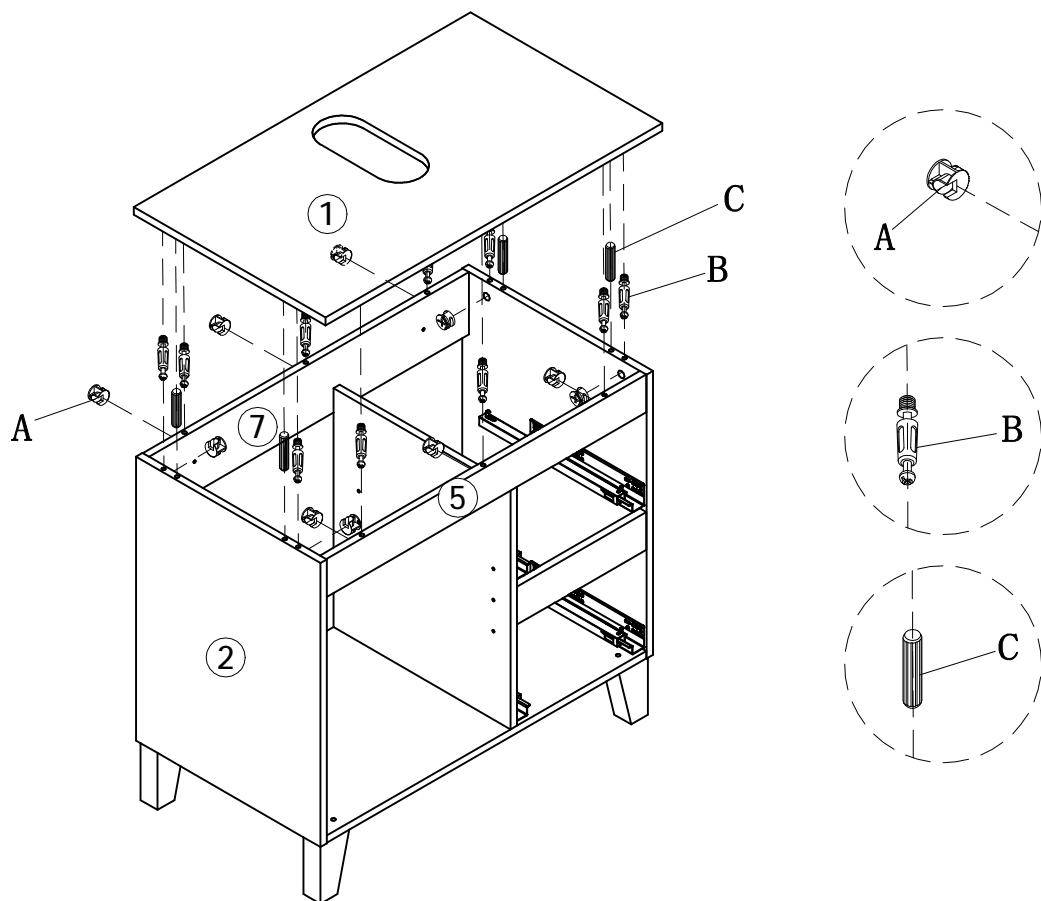
STEP 5

Jx4



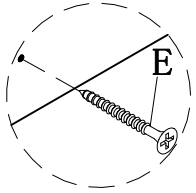
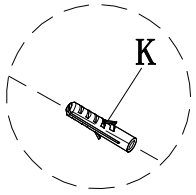
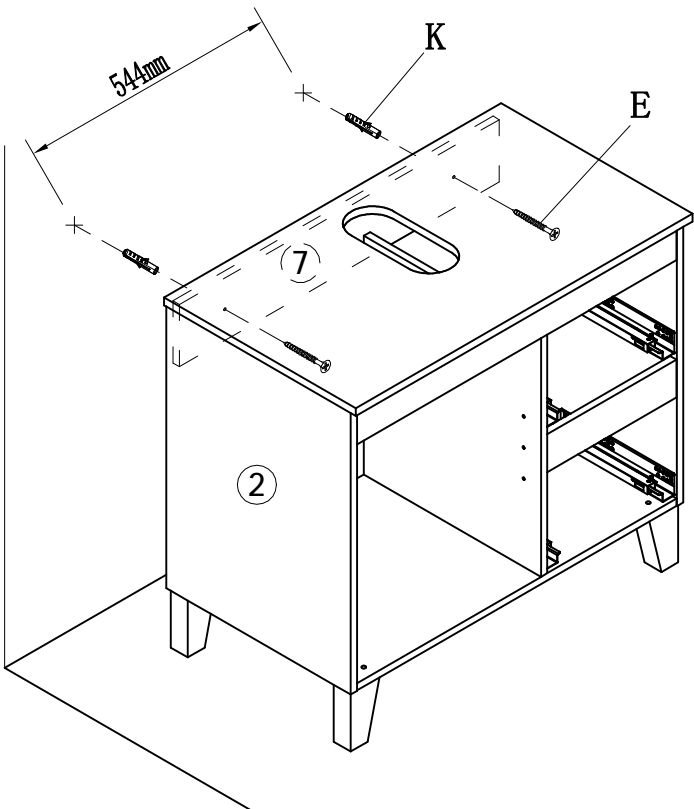
STEP 6

Ax10  
Bx10  
Cx4



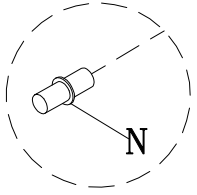
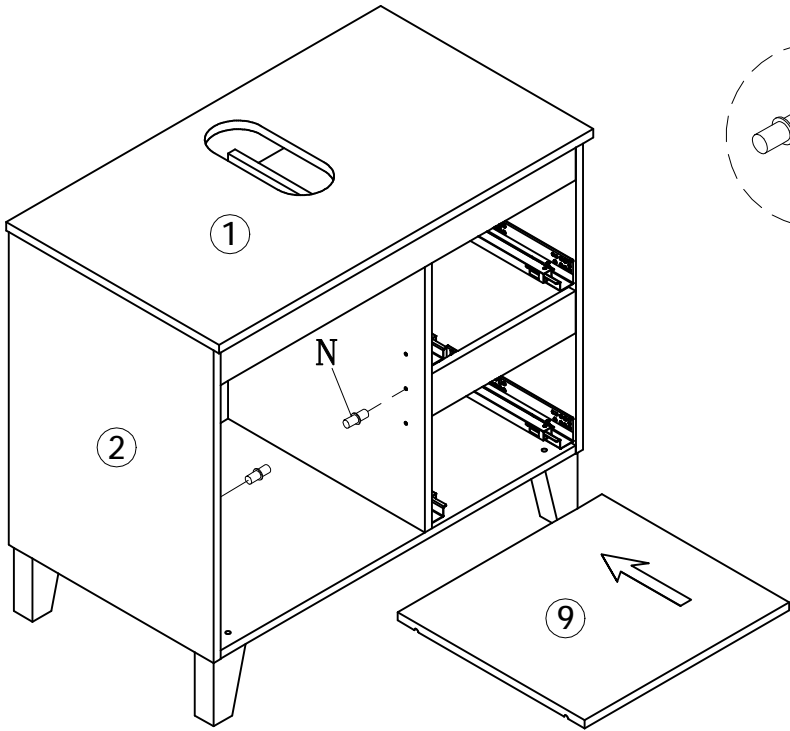
STEP 7

Ex2  
Kx2



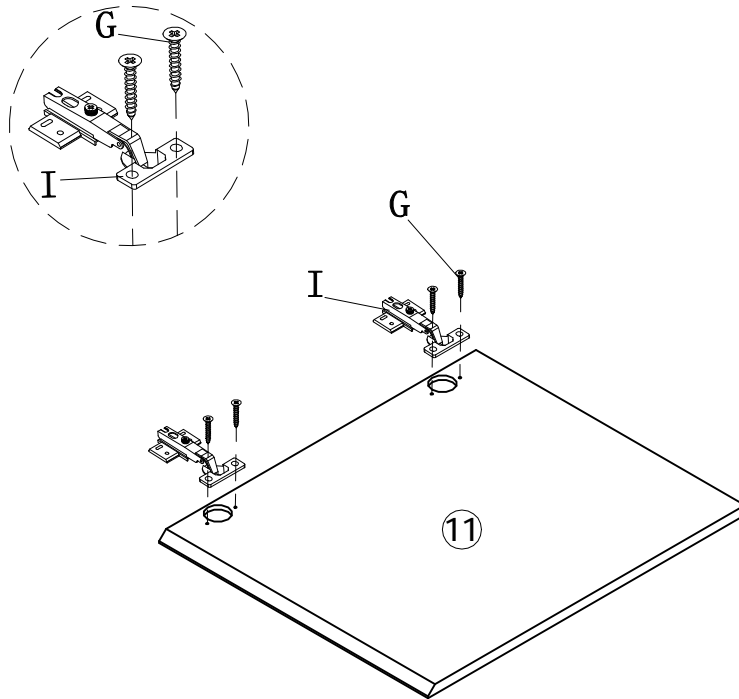
STEP 8

Nx4



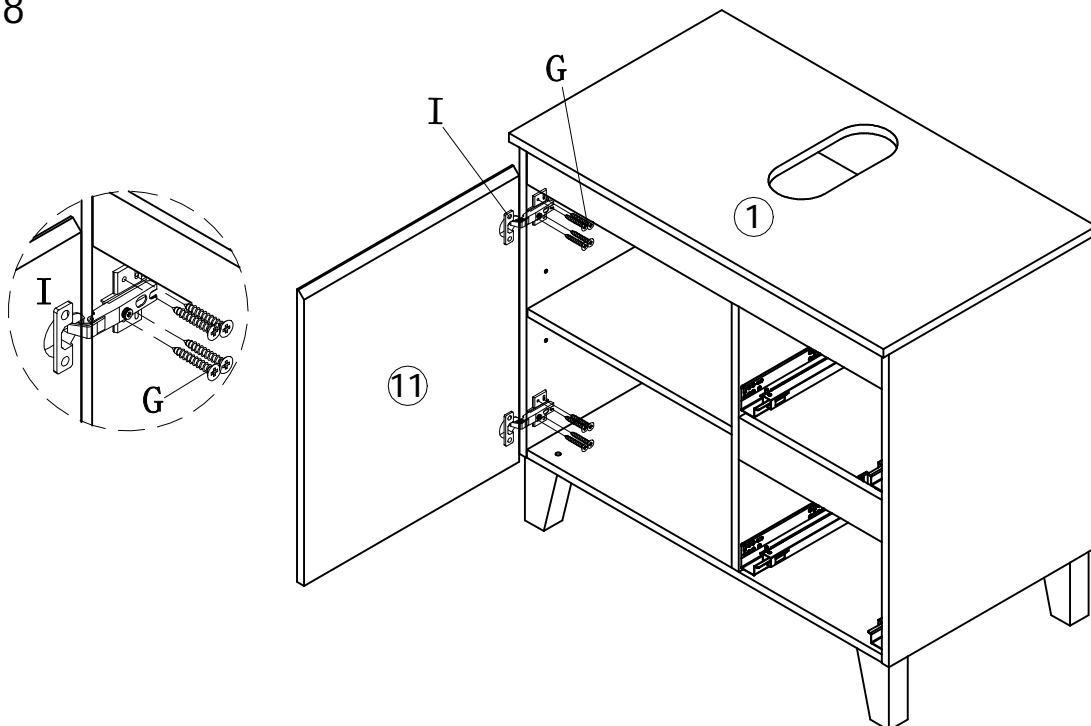
STEP 9

Gx4  
I x2



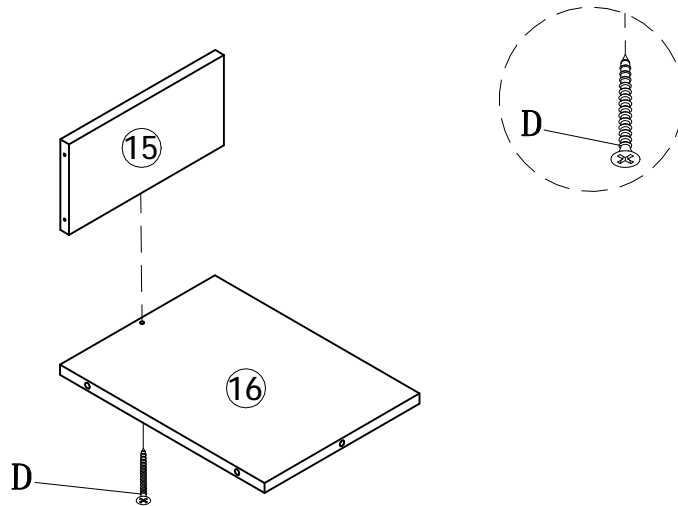
STEP 10

Gx8



STEP 11

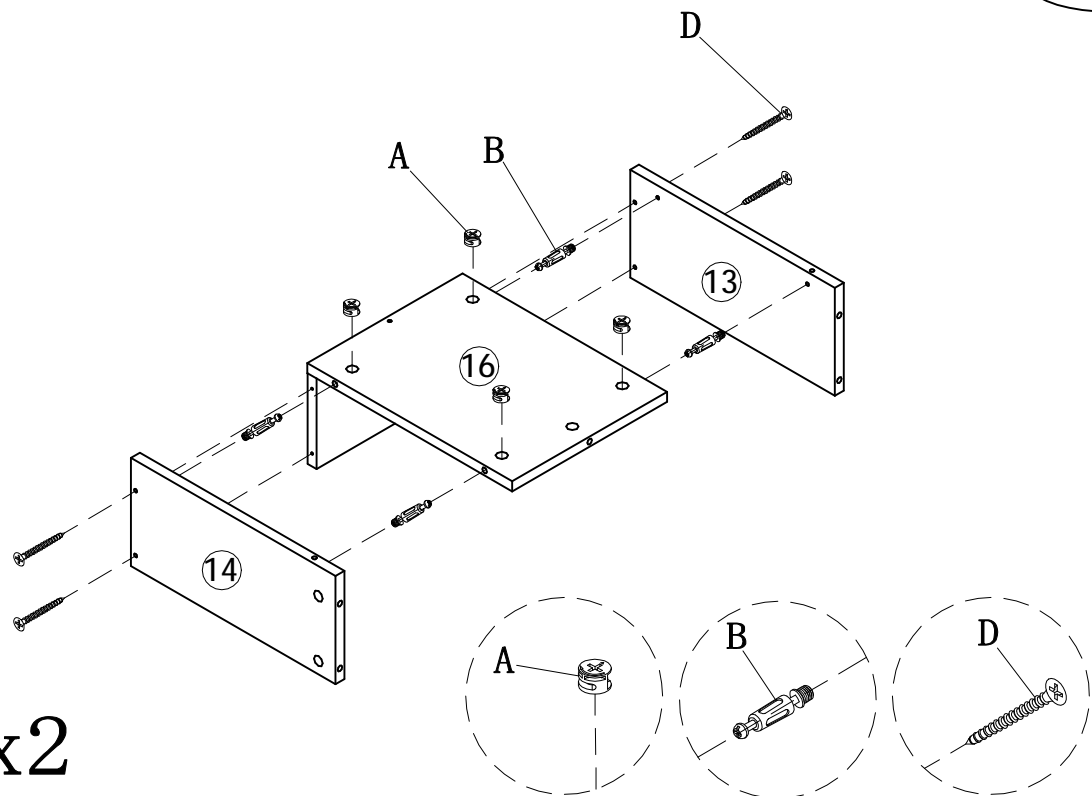
Dx2



x2

STEP 12

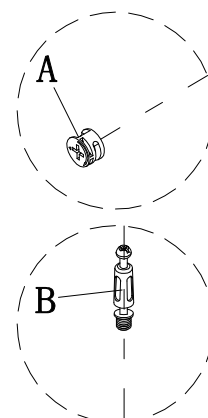
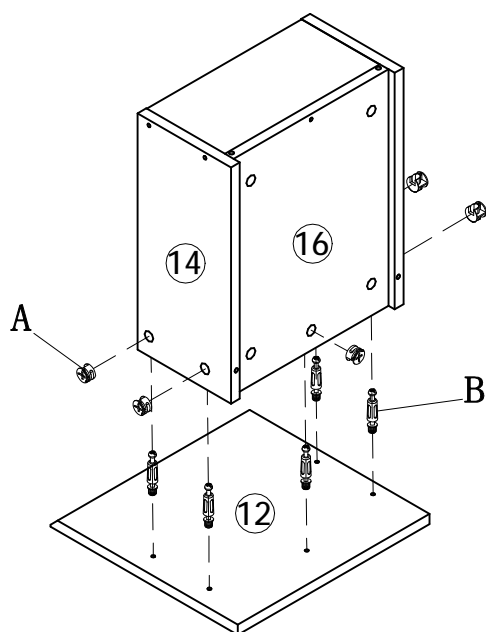
Ax8  
Bx8  
Dx8



x2

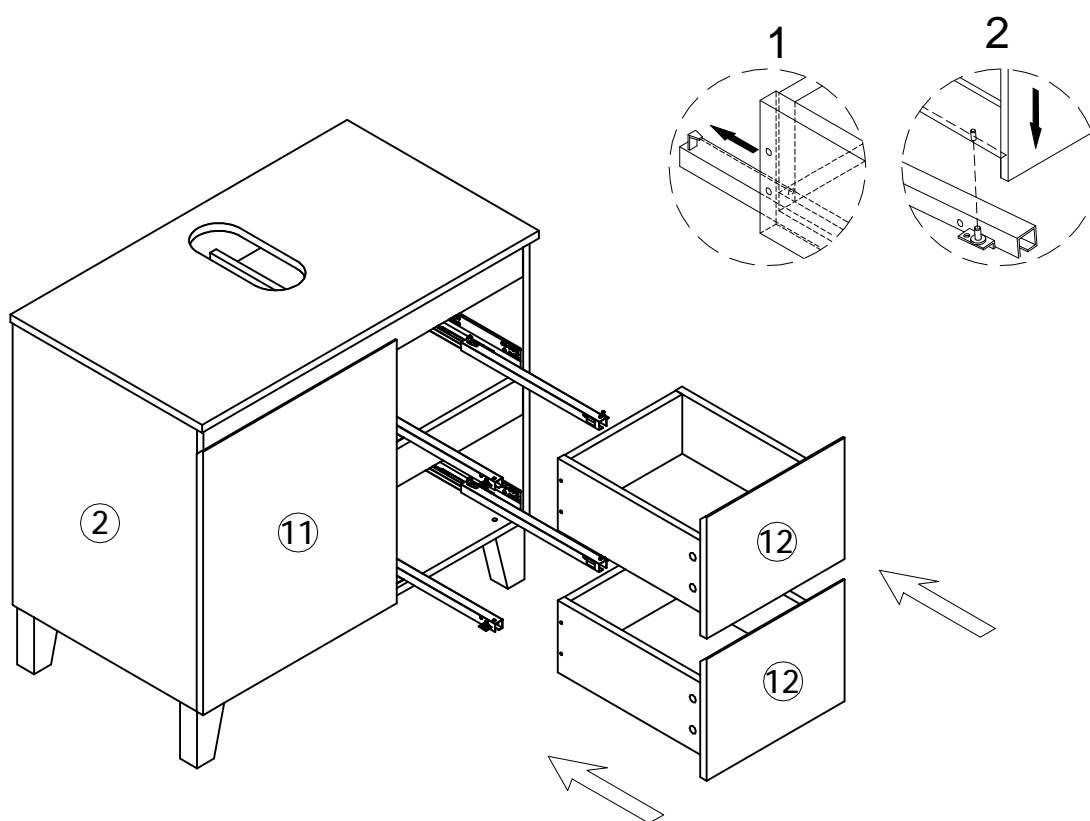
STEP 13

Ax10  
Bx10



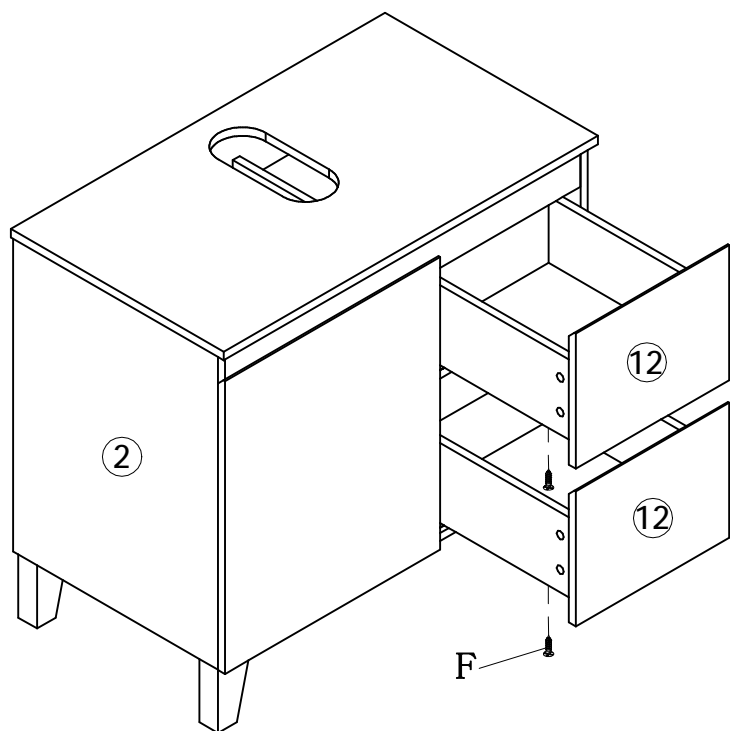
x2

STEP 14

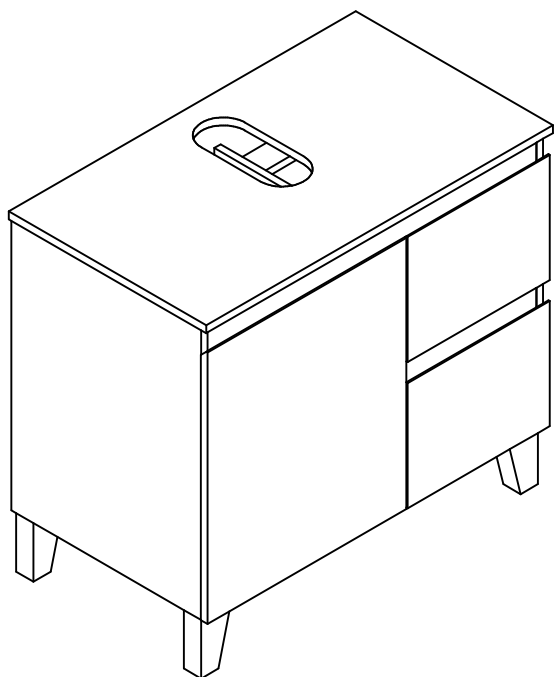


STEP 15

Fx4



STEP 16



FINISH