

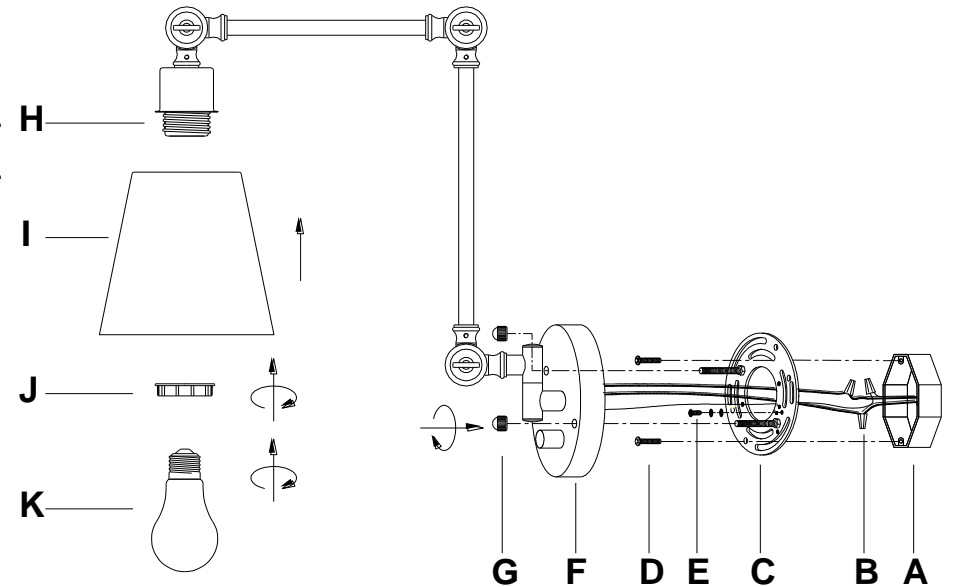
ASSEMBLY INSTRUCTIONS

※VERY IMPORTANT

WARNING: MAKE SURE POWER SUPPLY IS TURNED OFF AT MAIN BREAKER PRIOR TO INSTALLATION.

PLEASE READ THOROUGHLY. CAREFULLY UNPACK THIS LAMP AND PLACE ON A SOFT FLAT SURFACE.

1. Remove nuts (G) from canopy (F) and take out the mounting plate (C).
2. Fasten the mounting plate (C) to junction box (A) with screws (D).
3. Connect the copper GROUND WIRE from canopy (F) to the Ground wire from junction box (A); make the electrical connections using the wire nut (B). (Or attach them to the mounting plate (C) with the green Ground screw (E)). Connect the NEUTRAL wire (Or WHITE) from fixture to wire (NEUTRAL) from power supply with the wire nut (B). Connect the LIVE wire (Or BLACK) from fixture to wire (LIVE) from power supply with the wire nut (B).
4. Attach the canopy (F) to the mounting plate (C) and tighten with nuts (G).
5. Unscrew the pre-assembled socket ring (J) from socket (H). Attach the shade (I) onto socket (H) and secure it with socket ring (J).
6. Install the bulb (K) into socket (H) to complete the assembly.



Use a 60W (Maximum) Incandescent A Type Bulb.(Not included)

※PLEASE INFORM YOUR DEALER IMMEDIATELY IN CASE OF ANY PARTS SHORTAGE.

※SAVE THESE INSTRUCTIONS FOR FUTURE REFERENCE.