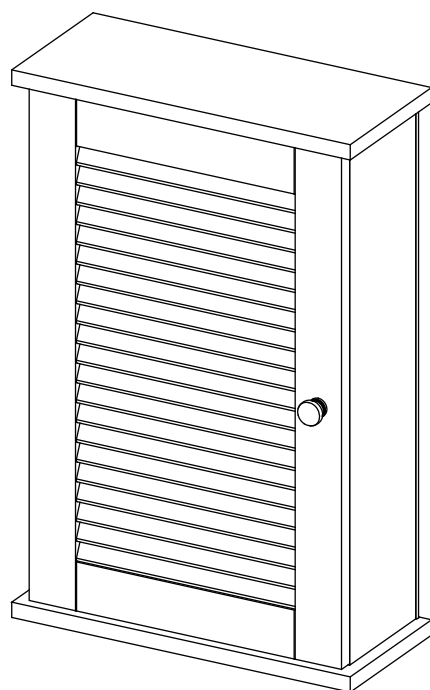


User Manual



You need

1 Tools required

A Phillips head screwdriver is required for the assembly of this product. (not included)

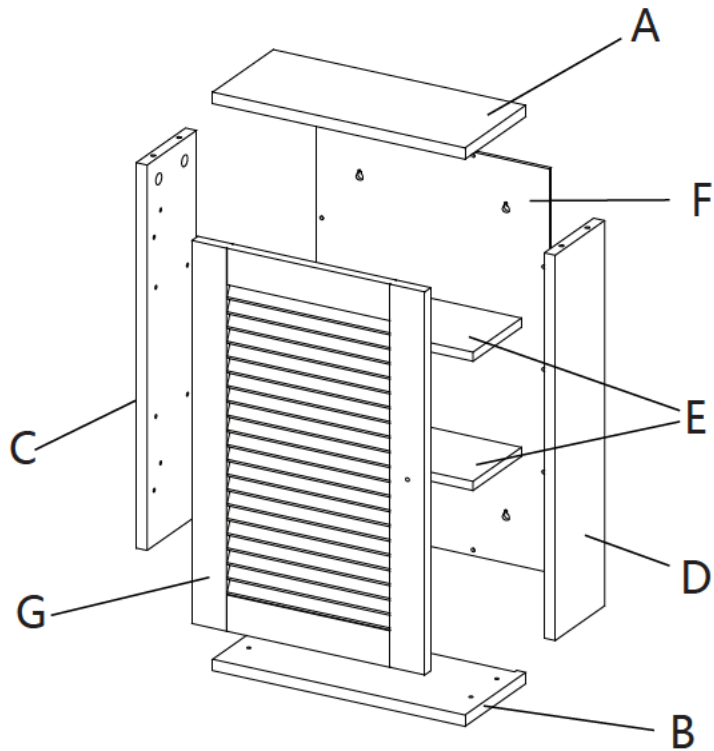
Power tools should not be used to assemble this product.

2 1 person is needed

3 Take 30 minutes

Technical Specifications

Max weight capacity 66LBS



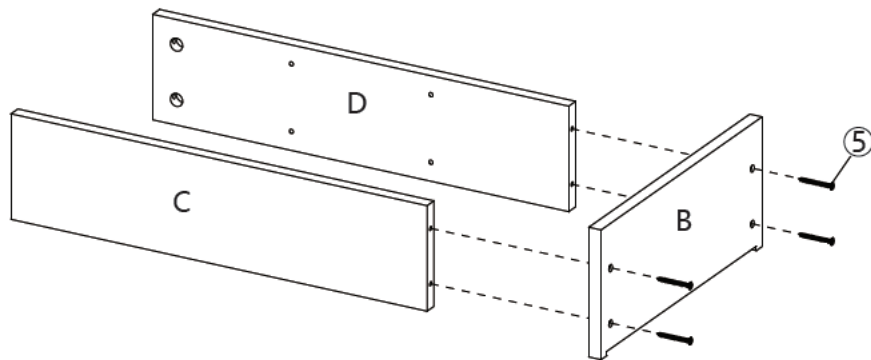
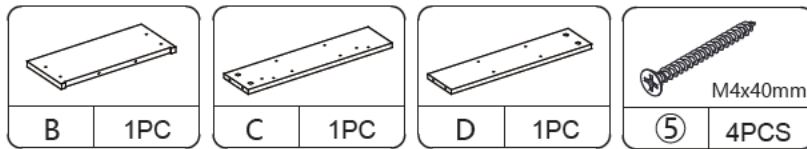
Hardware List

A 1PC	B 1PC	C 1PC	D 1PC
E 2PCS	F 1PC	G 1PC	1 10PCS
2 12PCS	3 1PC	4 1PC	5 4PCS
6 2PCS	7 4PCS	8 4PCS	9 4PCS
10 4PCS	11 8PCS		

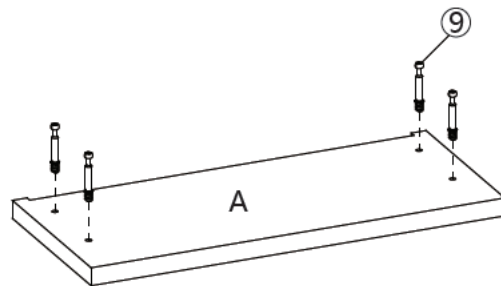
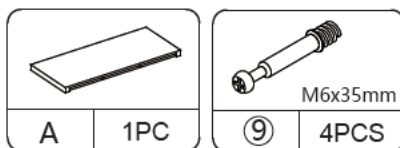
PRODUCT ASSEMBLY

 Check the package contents before getting started!

STEP 1

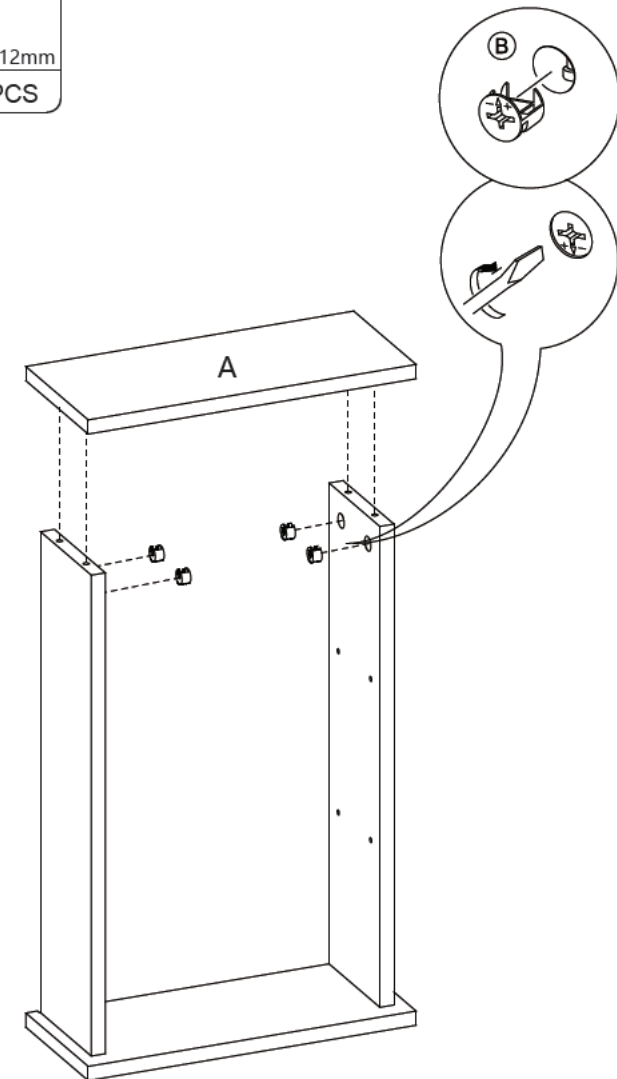
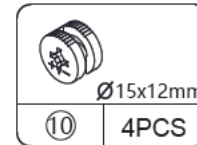


STEP 2

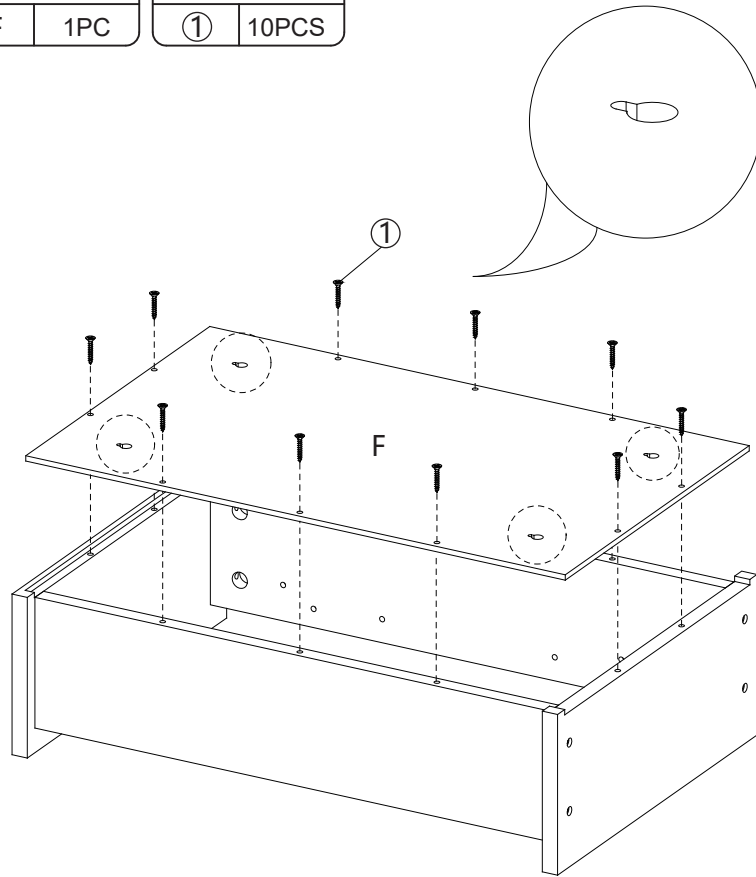
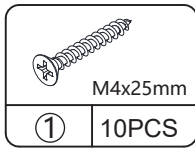
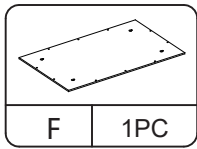


PRODUCT ASSEMBLY

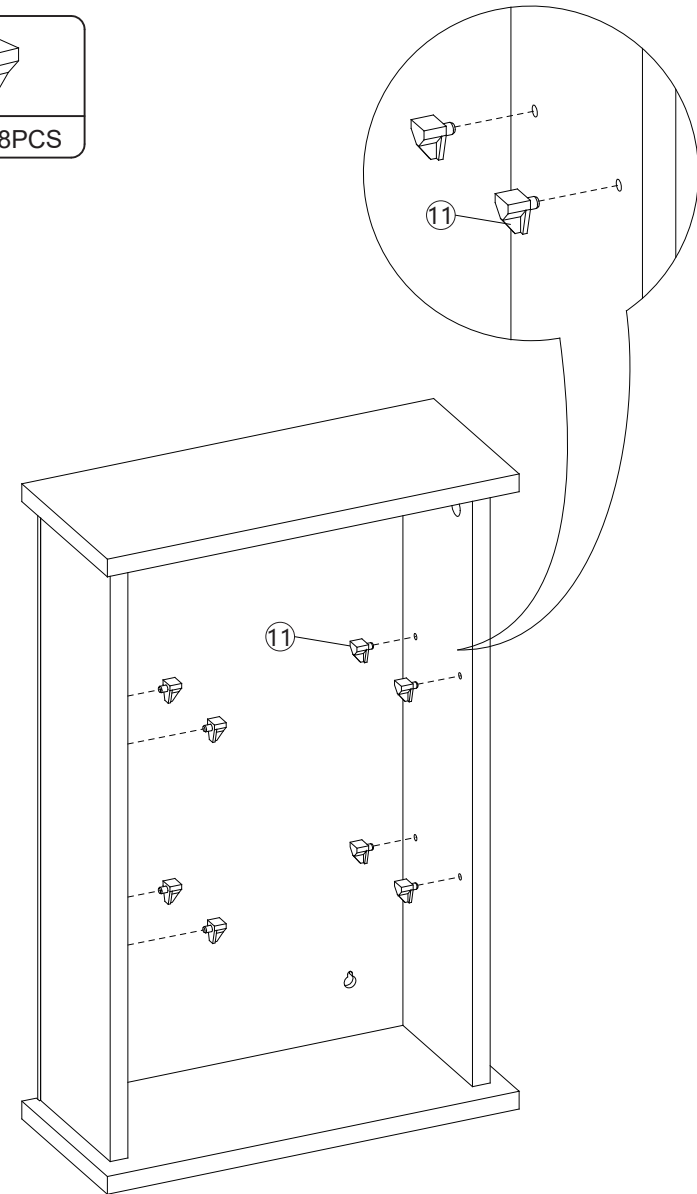
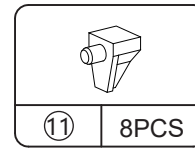
STEP 3



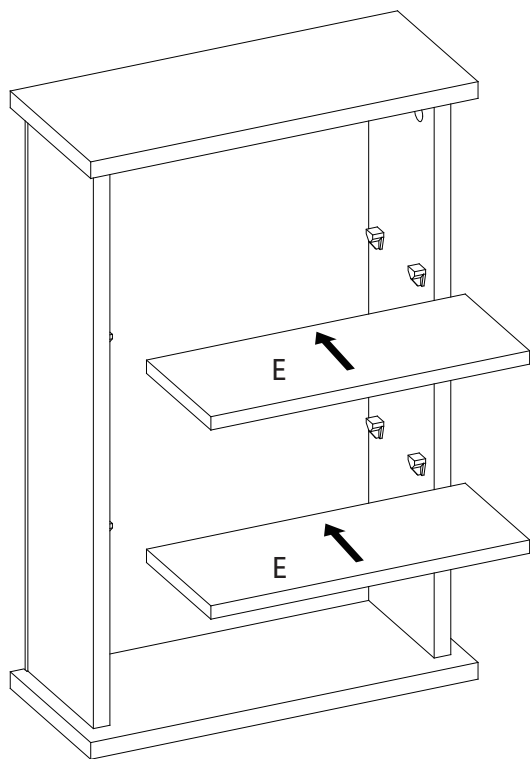
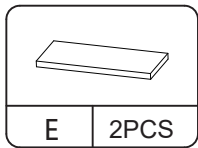
STEP 4



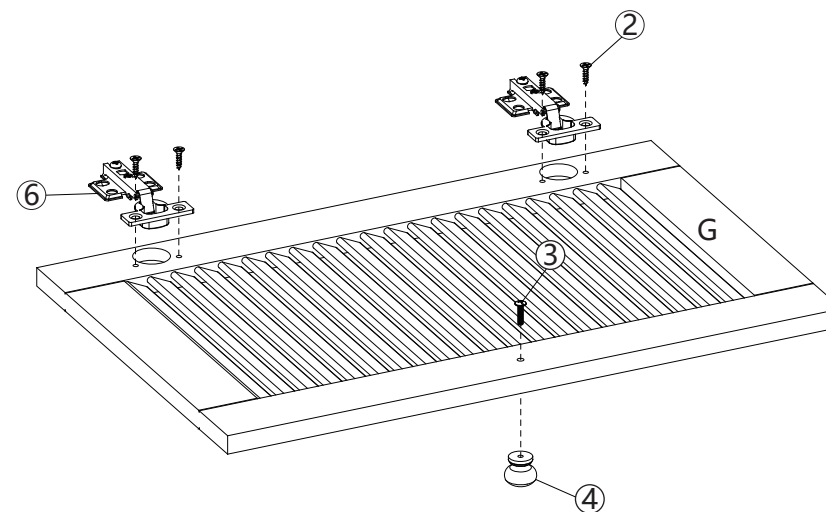
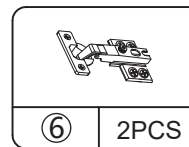
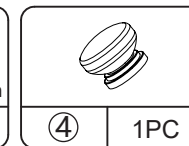
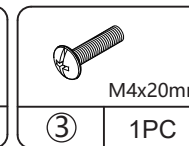
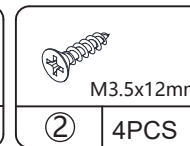
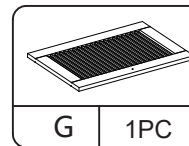
STEP 5



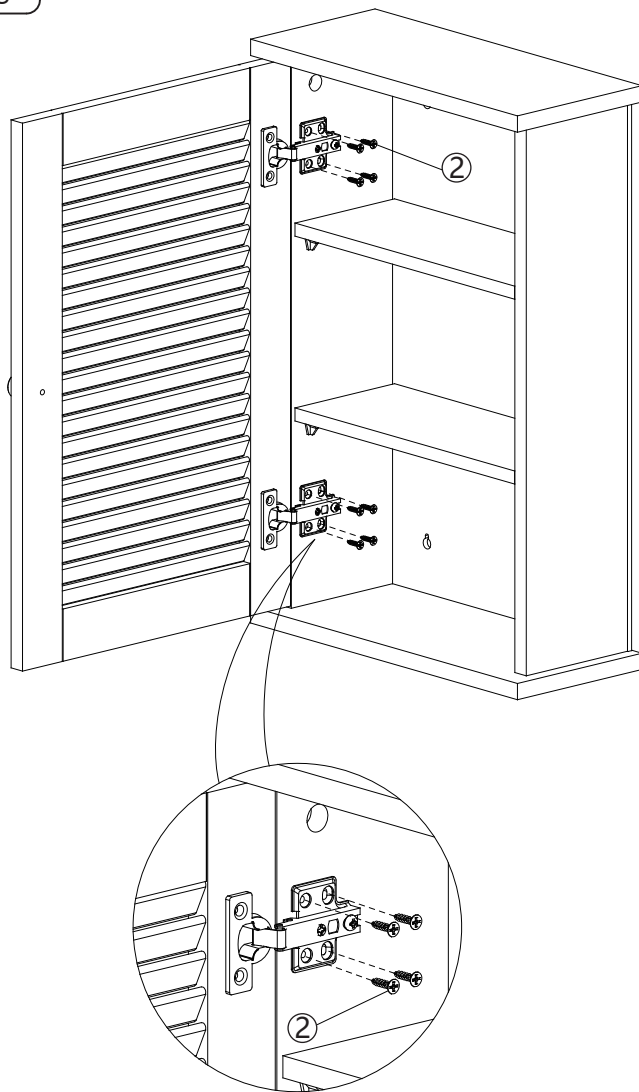
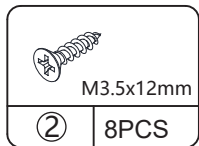
STEP 6



STEP 7



STEP 8



STEP 9

