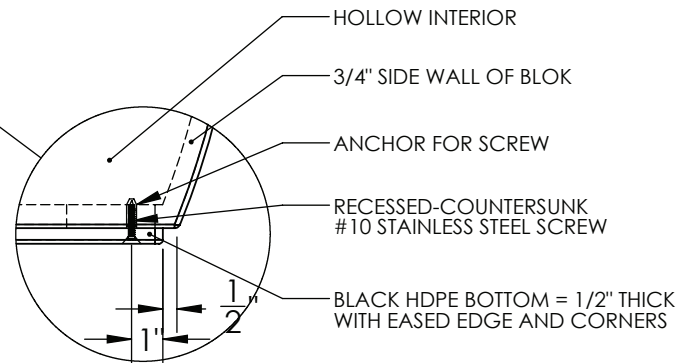
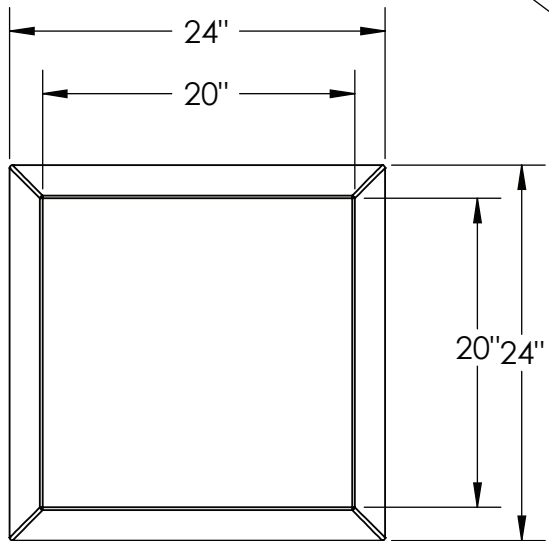


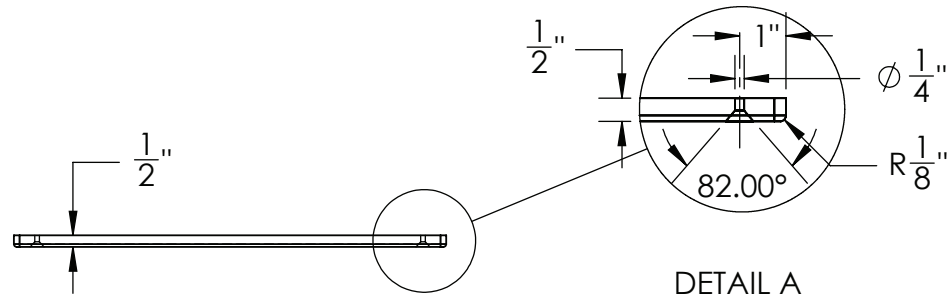
ISO VIEW



DETAIL A
SCALE 1 : 6

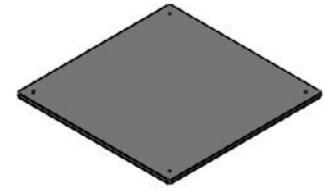
SPECIFICATIONS

- CONCRETE IS 3/4" THICK THROUGHOUT
- ALL CORNERS & EDGES EASED Ø 3/16"
- INDOOR OR OUTDOOR USE
- APPROX WEIGHT: 120 LBS

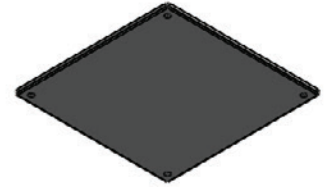


SIDE VIEW OF PLASTIC FOOT

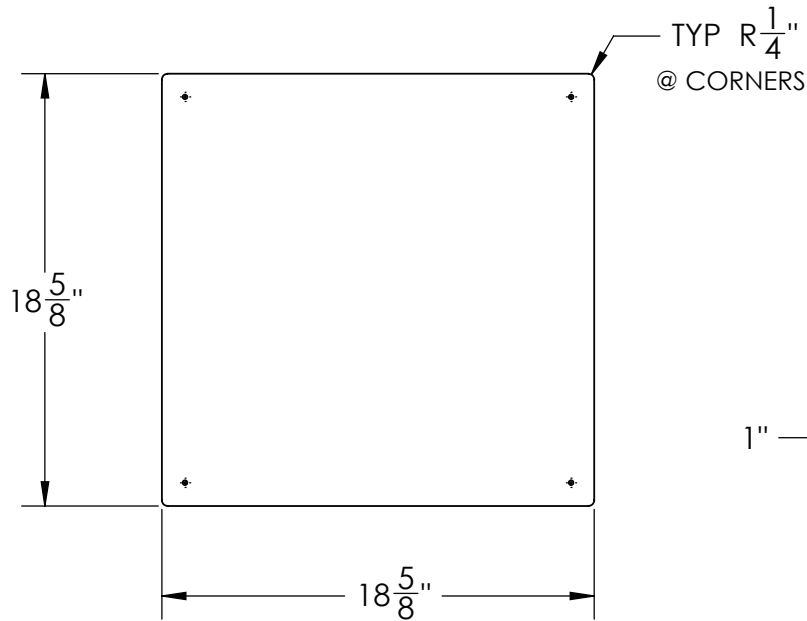
DETAIL A
SCALE 1 : 4



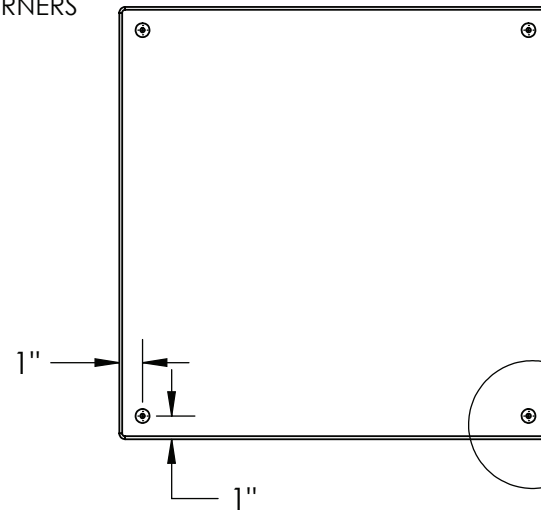
ISO TOP VIEW (NTS)



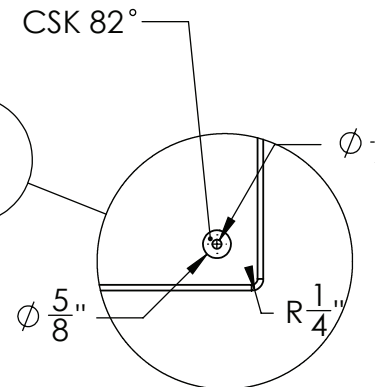
ISO BOTTOM VIEW (NTS)



TOP VIEW OF PLASTIC FOOT



BOTTOM VIEW OF PLASTIC FOOT



DETAIL B
SCALE 1 : 4

SPECIFICATIONS

- MATERIAL IS BLACK PALSTIC (HDPE)
- IF PLASTIC HAS TEXTURED SIDE, THIS SIDE SHOULD FACE DOWN
- EDGES & CORNERS TO BE ROUTED AS INDICATED & SANDED OR HEAT-FUSED SMOOTH
- 4EA HOLES IN CORNERS OF PLASTIC
- HOLES FOR ATTACHMENT ONLY APPLY TO PLASTIC FOOT
- HOLES AT CONCRETE ARE TO RECEIVE PLASTIC ANCHOR
- FINAL SCREW IS #10 S.S.-316 FH / 1.25 INCH
- COUNTERSINK (CSK) SHOULD ALLOW HEAD OF SCREW TO BE RECESSED (BELOW FACE OF PLASTIC)

