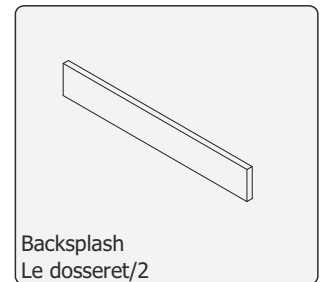
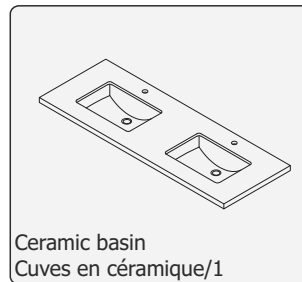


It is highly recommended to install two-person countertops
Est fortement recommandé d'installer un comptoir pour deux personnes

Box Contents/Contenu de la boîte

- Ceramic Basin/Countertop
Bassin/comptoir en céramique
- Backsplash/Le dossier

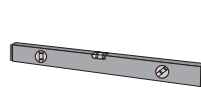
Main Body Parts/La partie principale du corps



Recommended tools/Outils recommandés

- Level/Niveau
- Calking & Calking Gun/
Pistolet à calfeutrer et à calfeutrer
- Spanner/Clés

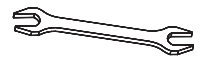
Recommended Tools/Outils recommandés Assembly instructions/Instructions de montage



Level



Calking Gun



Spanner



After bonding with glass, the retaining can only be used after 24 hours of fixation /

Les barres de blocage de l'eau ne peuvent être utilisées qu'après 24 heures de fixation après avoir été collées avec du verre.

***Does not include faucet, drain assembly, or P-trap/**Les robinets, les ensembles de drains ou les pièges à eau de Le P - trap sont pas inclus.

- Please check your product packaging to make sure the included accessories etc.

Veuillez vérifier l'emballage de votre produit pour vous assurer que les accessoires inclus

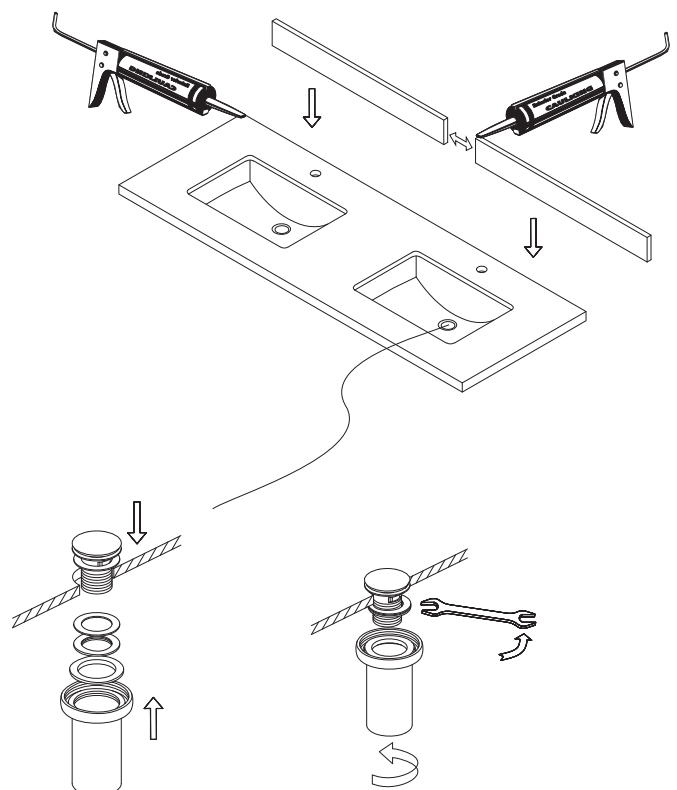
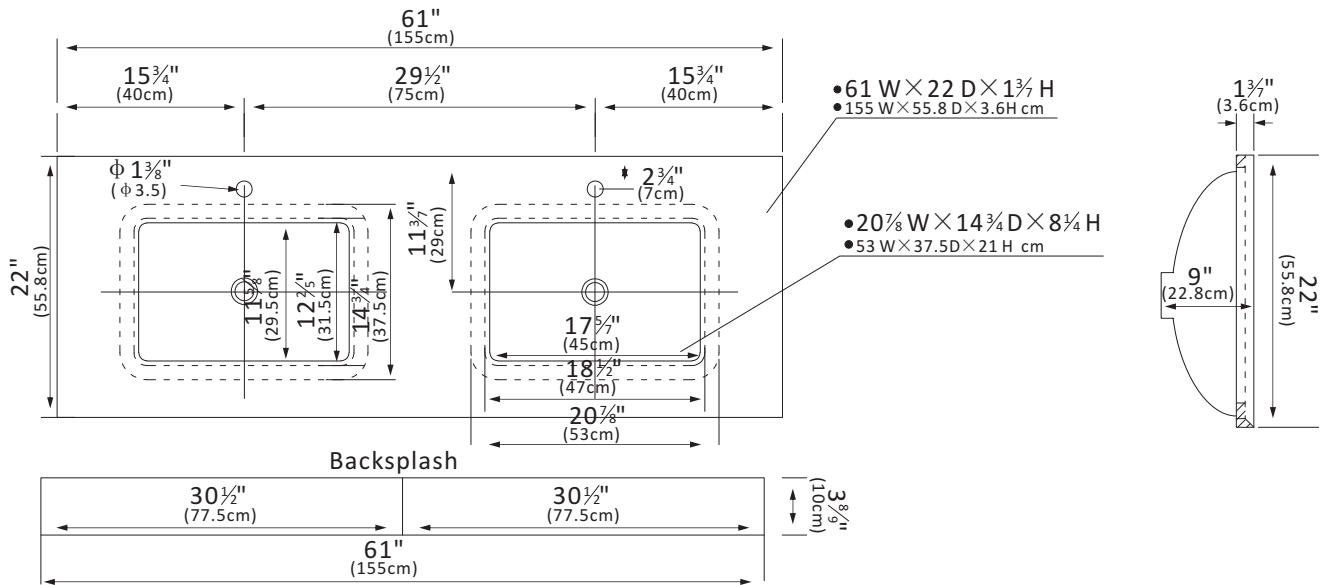


Diagram Specifications



Vanity Care Guide

Vanity Care

- Avoid direct contact of sharp objects as they can cause exterior damage.
- Do not expose directly to the sun as it can cause aging and cosmetic damage.
- Avoid placing hot objects onto the vanity surface.

Countertop Care

- Kindly note that all our tops are sealed before shipping but may stain, scratch, or chip because they are porous by nature.
- Do not place hot items directly on the countertop as it can damage it.
- To prevent ring marks or staining, dry immediately.
- Place table mats beneath objects that can potentially scratch the surface.
- Use a clean, soft fabric to dust the vanity.
- Occasionally wash with a cloth dampened in warm water. If needed, apply a small amount of mild dishwashing liquid or stone soap to clean. Dry with a soft cloth.
- Refrain from using chemical cleaners, sprays, abrasive cleaners, or products that contain lemon, vinegar, or other acids.
- We advise to reseal top annually or when necessary.

Cleaning and maintenance

- Avoid using cleaning products that contain Bleach or Ammonia.
- Please use wood-friendly products on wooden base vanities.
- To adequately clean exterior surfaces, use natural cleaning solutions or soap

⚠ WARNING

This product can expose you to chemicals including Nickel compounds, which is known to the State of California to cause cancer. For more information visit [www. P65Warning. ca. gov](http://www.P65Warning.ca.gov)

⚠ WARNING

This product can expose you to Glass wool fibers (inhalable and biopersistent), which is known to the State Of California to cause cancer. For more information, go to [www. P65Warnings. ca. gov](http://www.P65Warnings.ca.gov)

⚠ WARNING

Serious or fatal crushing can occur from furniture tip over . To prevent tip over this furniture must be used with the wall attachment device(s) provided. Screw(s) and plug(s) for the wall are not included. Use screw(s) and plug(s) suitable for your walls. If you are uncertain, seek professional Advice. Read and follow each step of the instruction carefully.