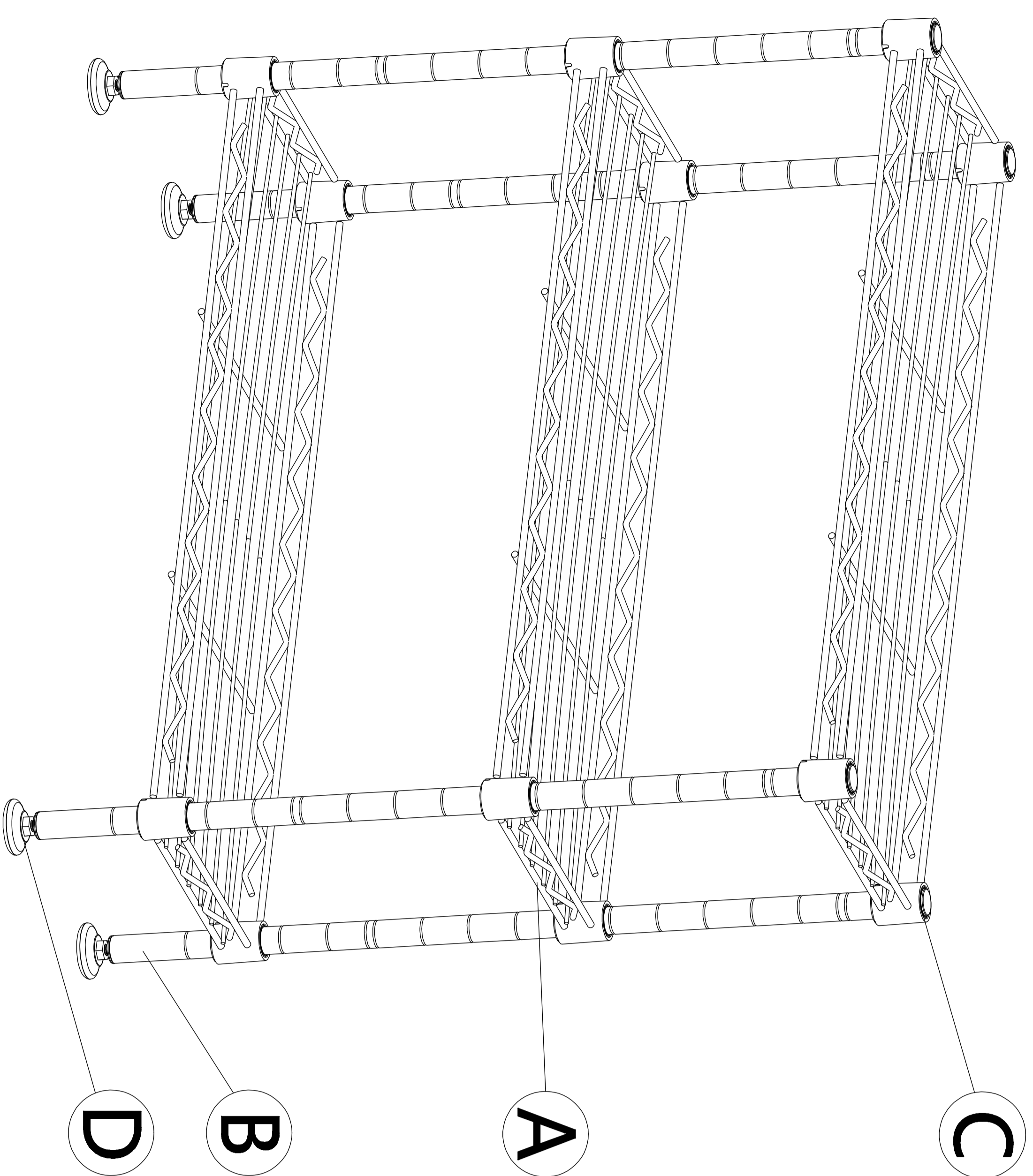
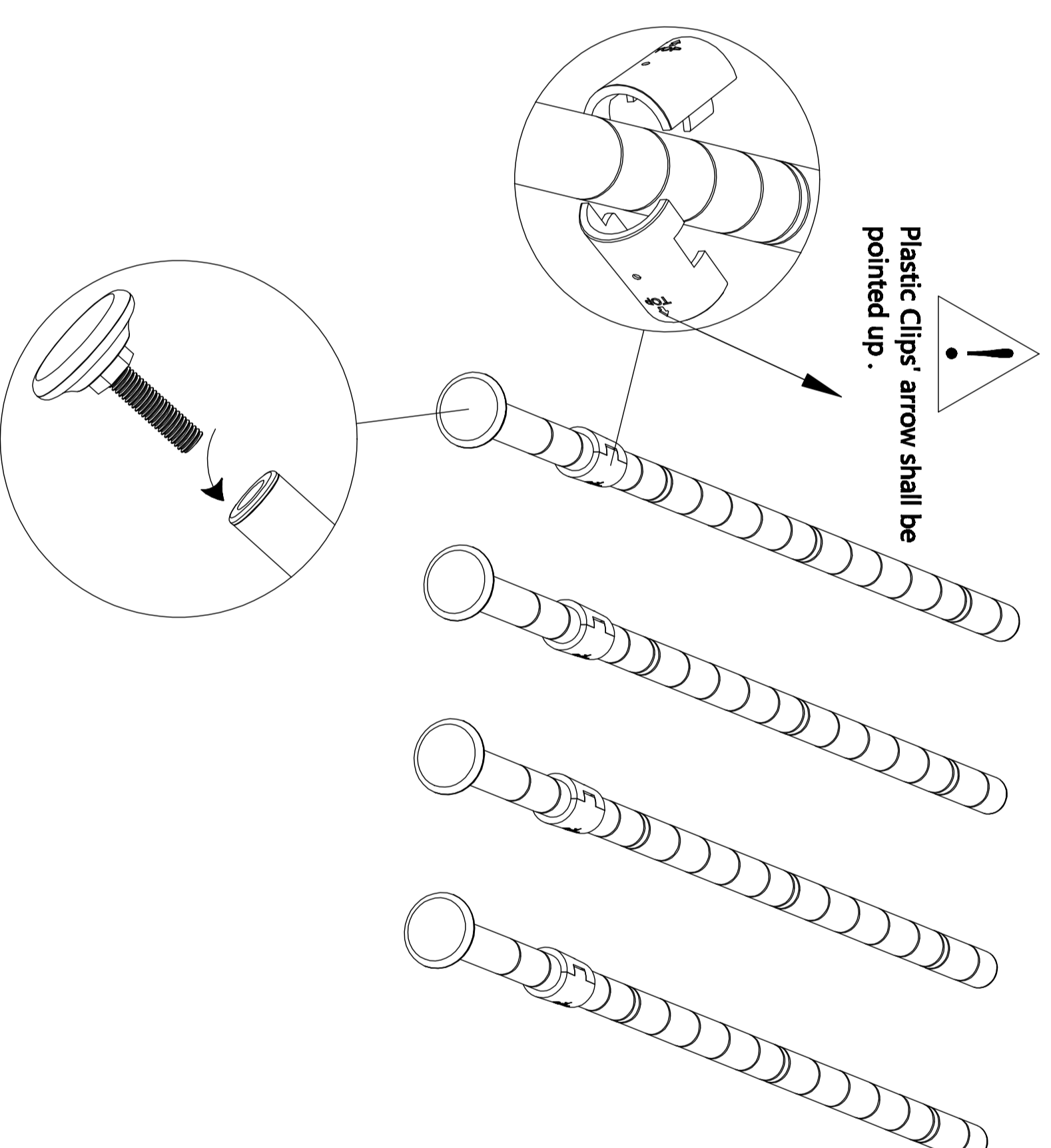


MINI WIRE RACK INSTRUCTION

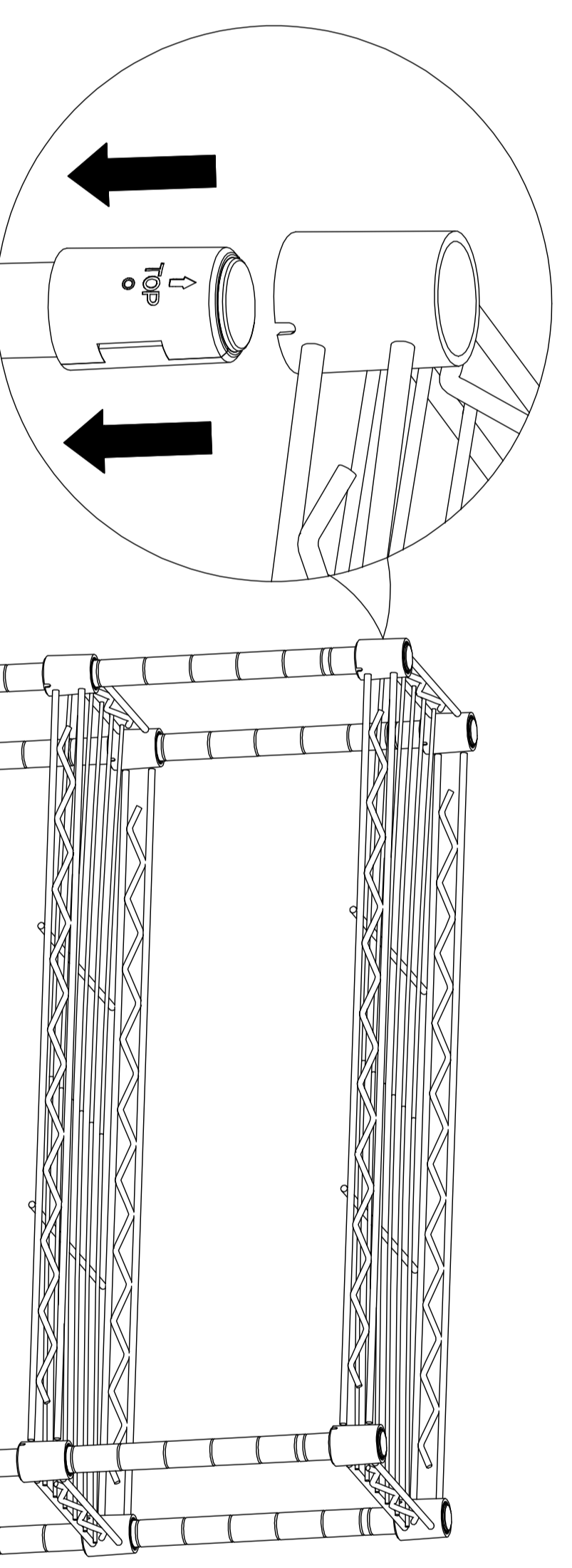
Assembly Steps:



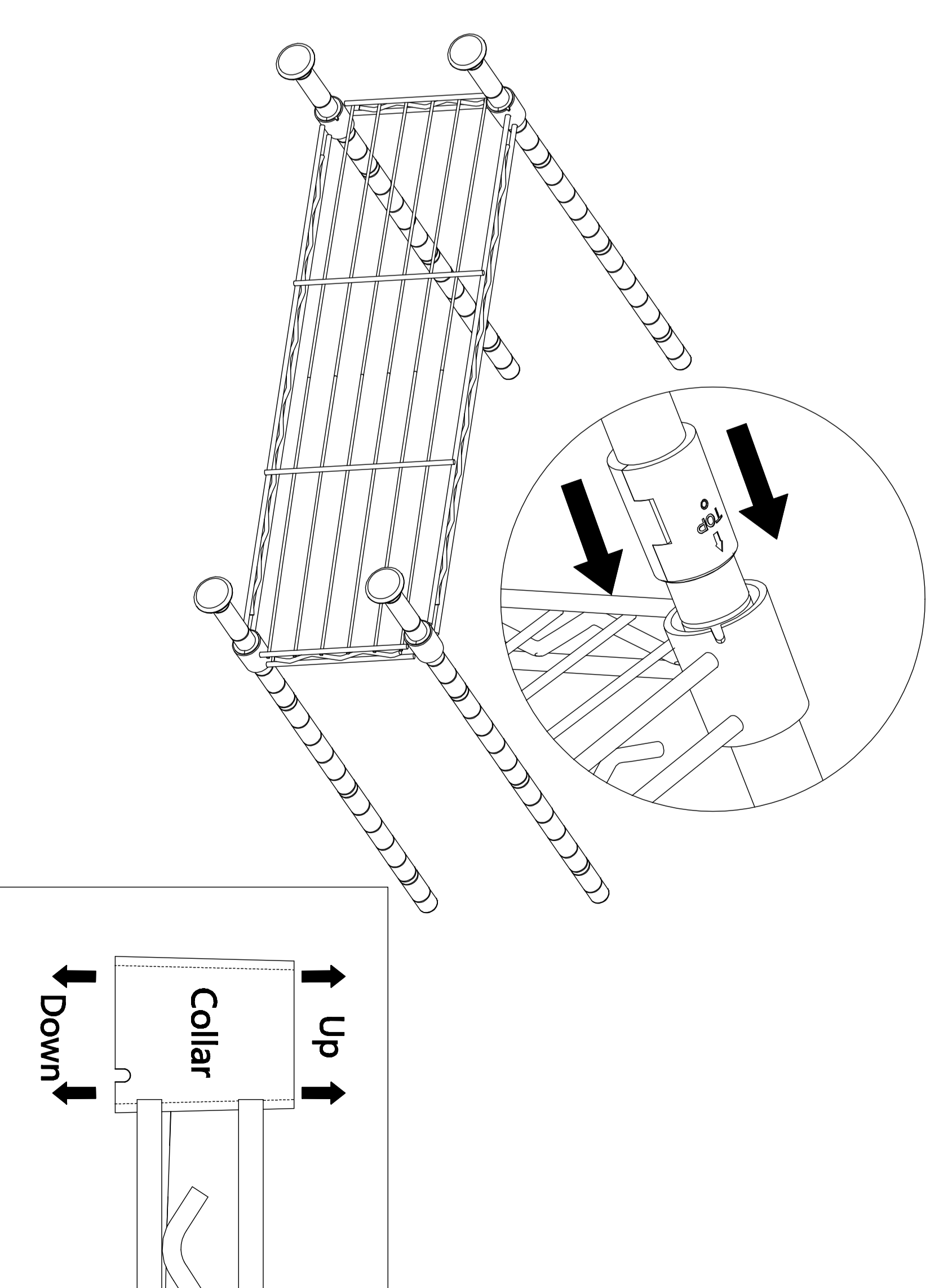
1 Screw four Leveling Foot(D) into the bottom of four Poles(B) and then snap the Plastic Clips(C) into the grooves of four poles at your desired position. Make sure the arrow of plastic clips are pointed up.



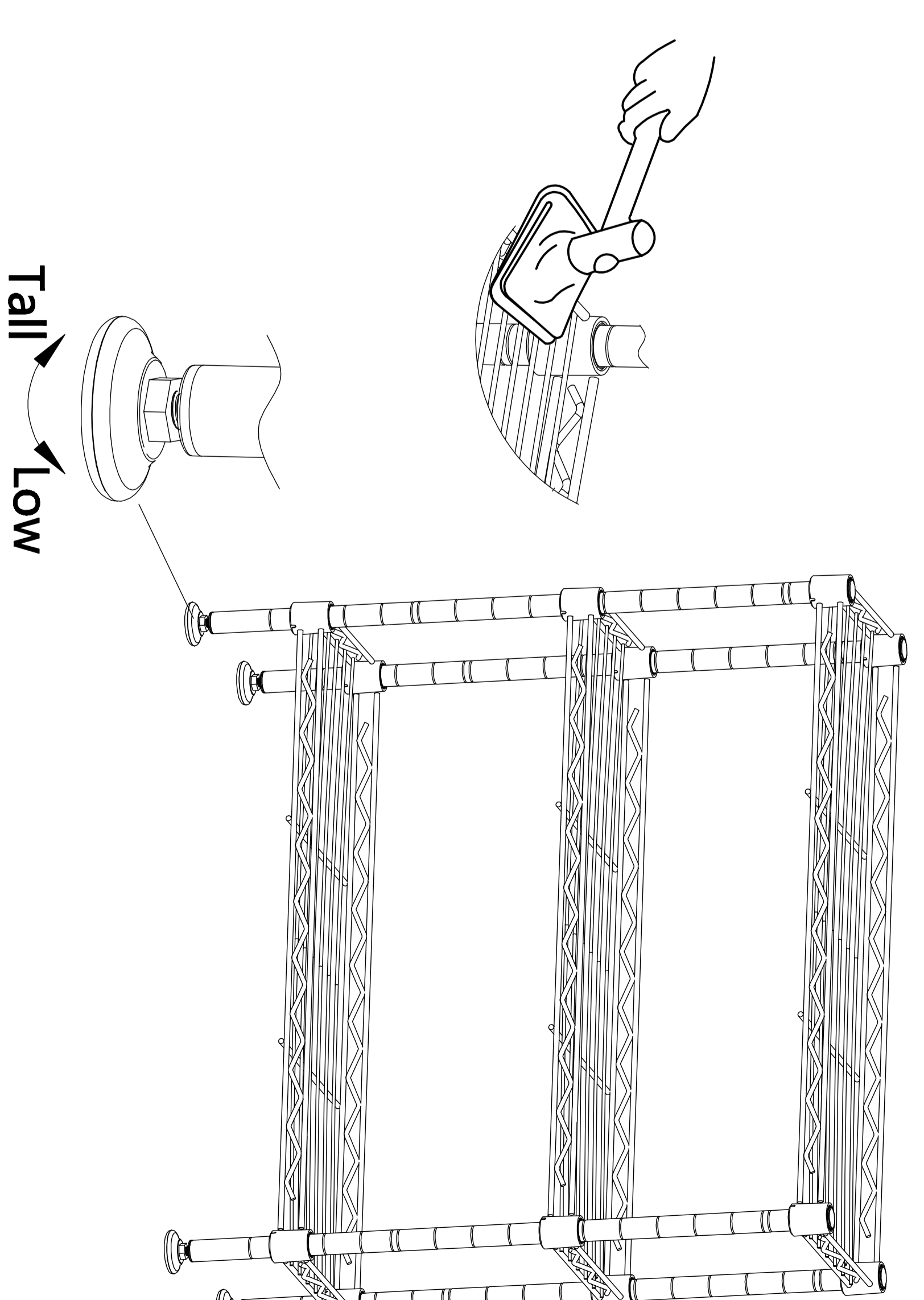
3 Repeat the step ① and the step ② to assemble the 2nd and 3rd wire shelf as the photo.



2 Please make sure that you have the Wire Shelf(A) the correct way up, hold the wire shelf on it's side and slide the top of four lower poles through the bottom of the wire shelf at it's corners until there is a snug fit, and then set the wire shelf upright.



4 Pushing firmly down on every shelf at corners by rubber mallet to ensure the shelf in a place over the plastic clips and screw the leveling feet in or out to attain proper leveling.



No.	A	B	C	D
Name	Wire Shelf (shelf frame facing up)	Poles	Plastic Clip	Leveling Foot
Quantity	3PCS	4PCS	24PCS	4PCS
Parts				