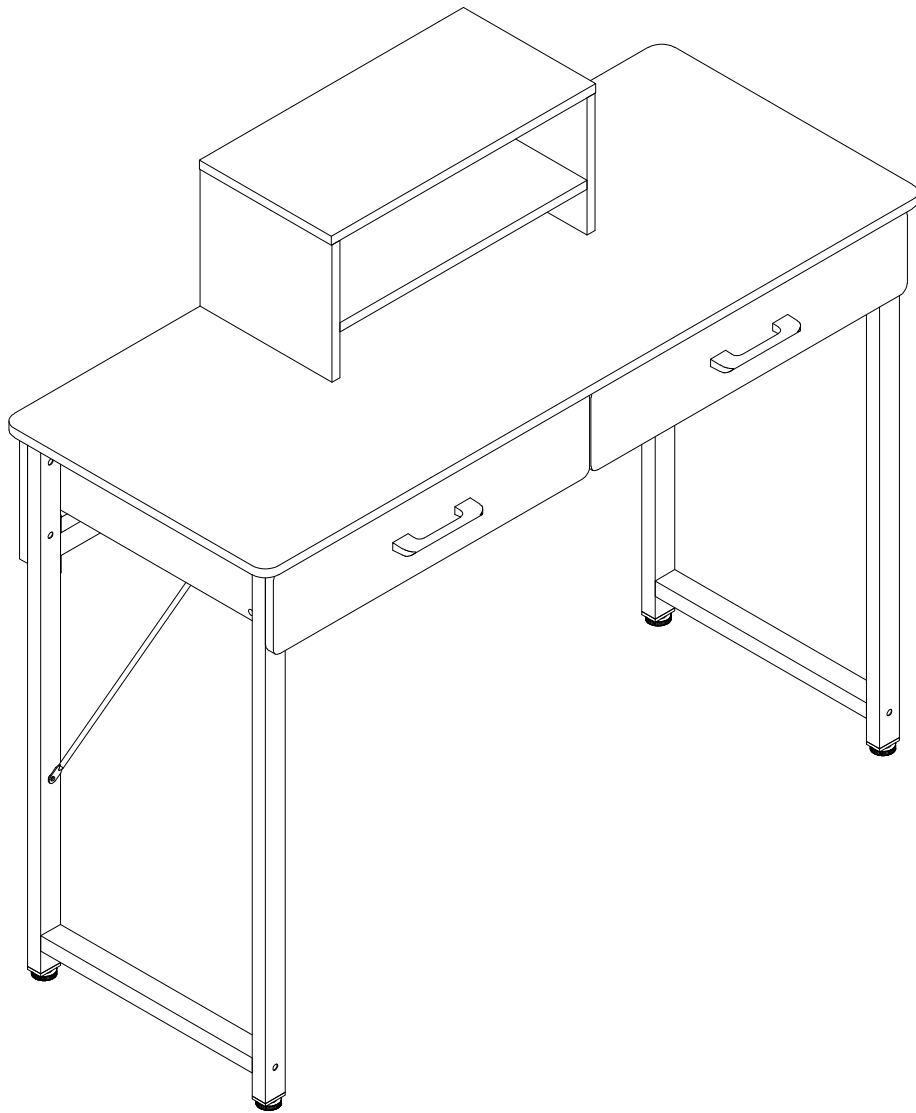


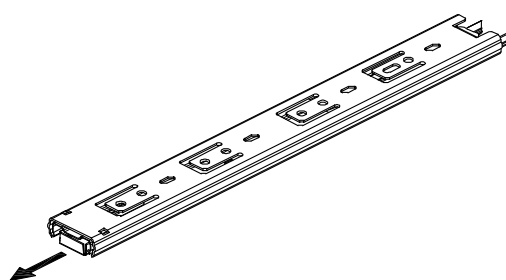
DESK



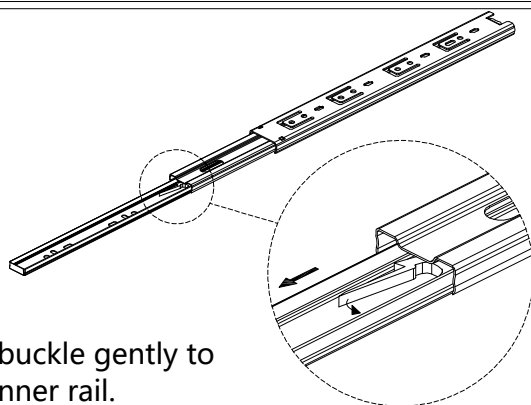
Dear customers,thank you for choosing our products.We are highly appreciate of your trust on us.

When you receive the product, we kindly remind you to check whether the package accessories are complete.Your satisfaction is our first priority,please feel free to contact us via anytime if any assistance needed.We will surely solve the problem at full stretch.

1

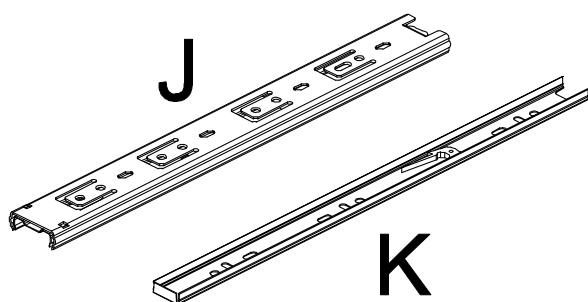


2



Press the buckle gently to separate inner rail.

3

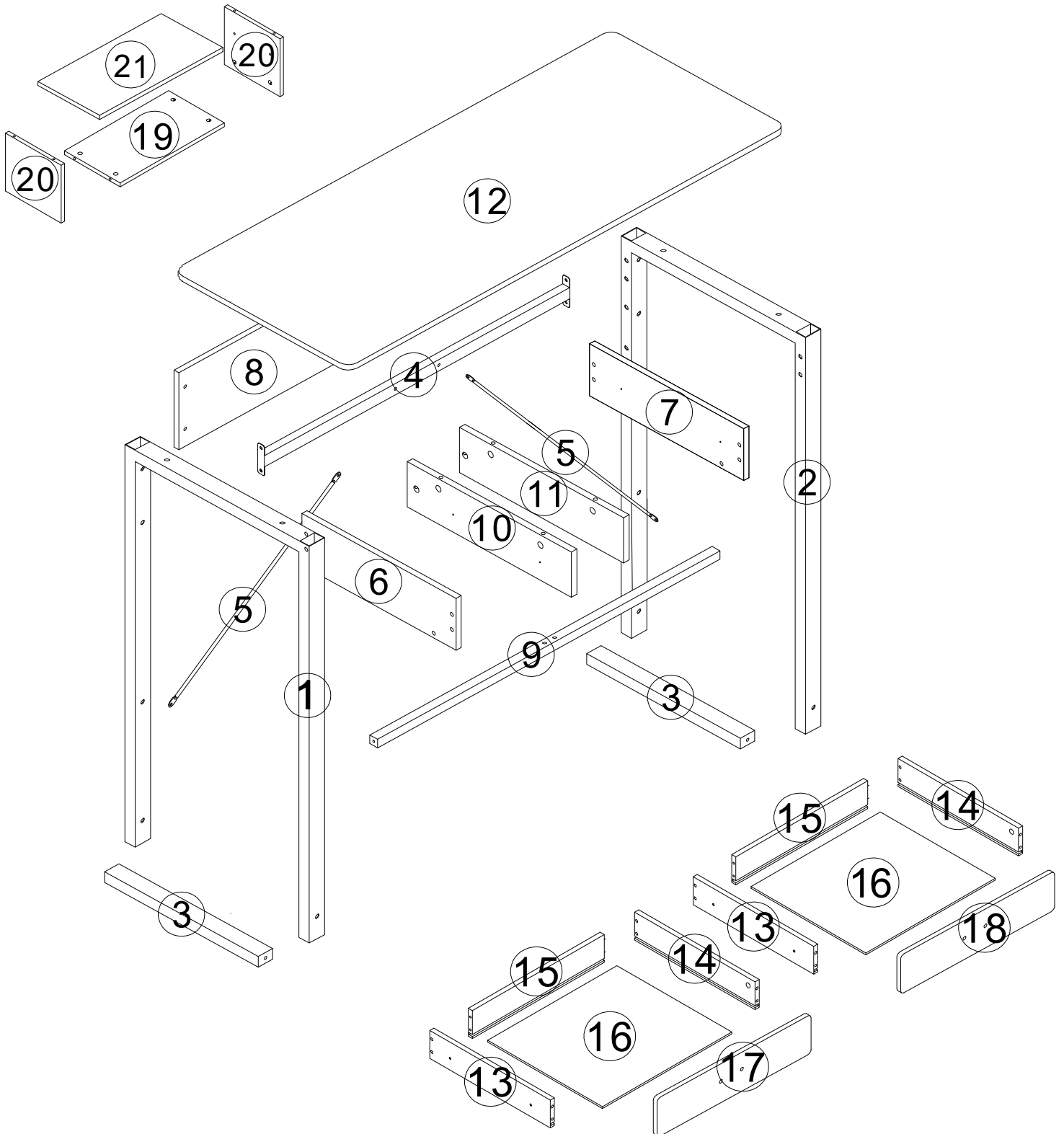


PART LIST

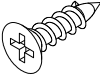
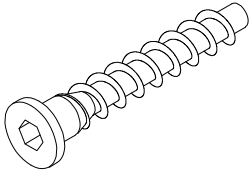
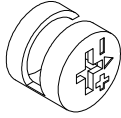
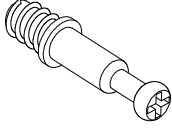
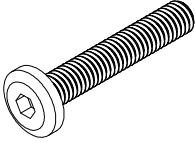
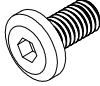
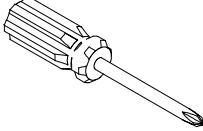
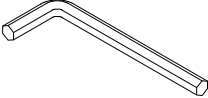
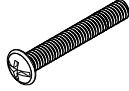
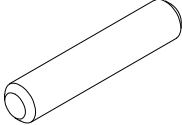
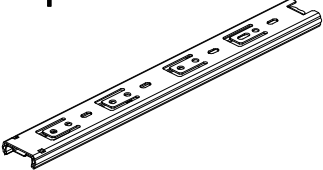
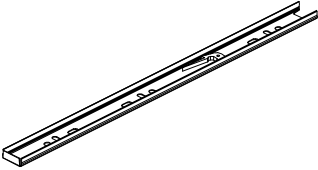
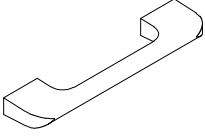
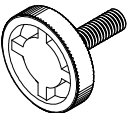
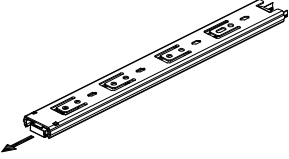
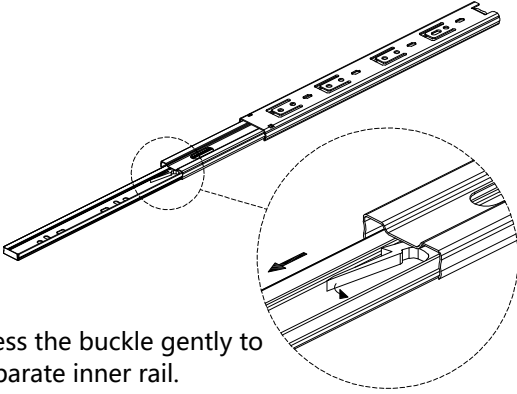
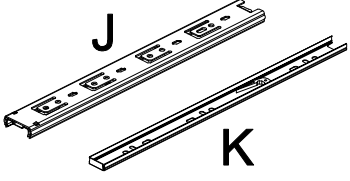


It's better to install it with 2 people

TIP: Please tighten the screws by 70% during installation, and then tighten after all installation is complete!

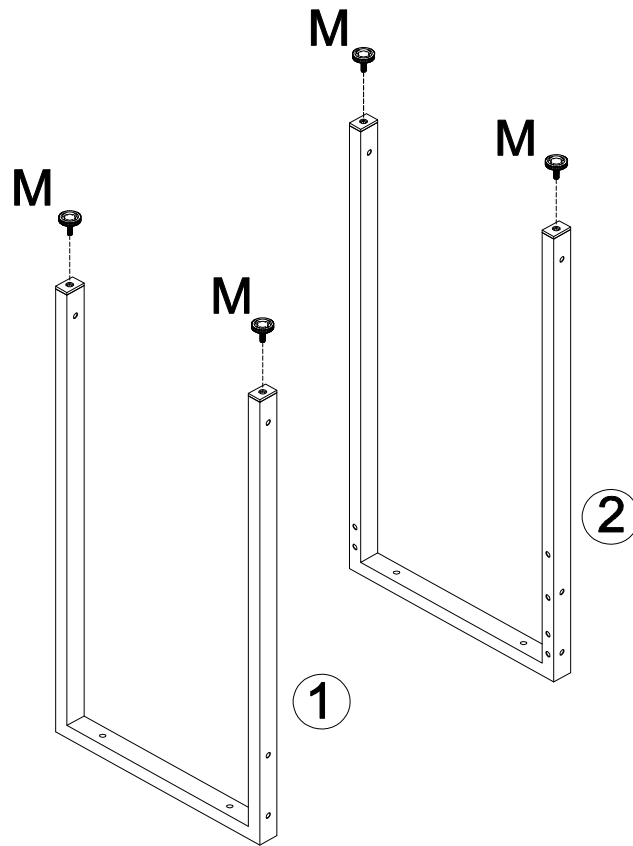


HARDWARE LIST

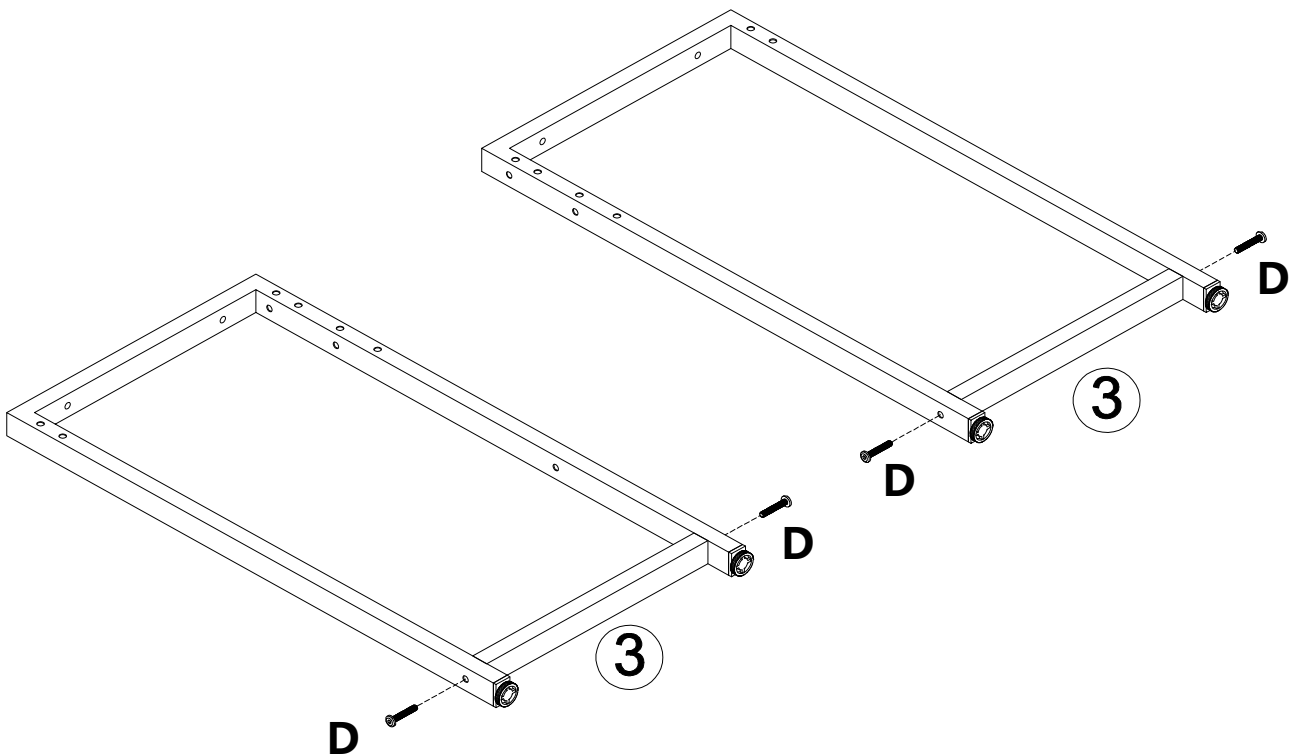
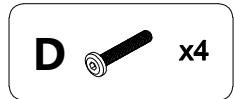
<p>A x 16 pcs 4*11MM</p> 	<p>B x10 pcs 6.3*40MM</p> 	<p>C x 18 pcs</p>  
<p>D x22 pcs 6*28MM</p> 	<p>E x 8 pcs 6*10MM</p> 	<p>F x 1 pcs</p> 
<p>G x 2 pcs</p> 	<p>H x 4 pcs 4*16MM</p> 	<p>I x 8 pcs</p> 
<p>J x 4 pcs</p> 	<p>K x 4 pcs</p> 	<p>L x 2 pcs</p> 
<p>M x 4 pcs</p> 		
<p>1</p> 	<p>2</p>  <p style="text-align: center;">Press the buckle gently to separate inner rail.</p>	<p>3</p> 

★ Please read every step in the manual carefully before installation, so as to avoid unnecessary repeated installation!


STEP 1

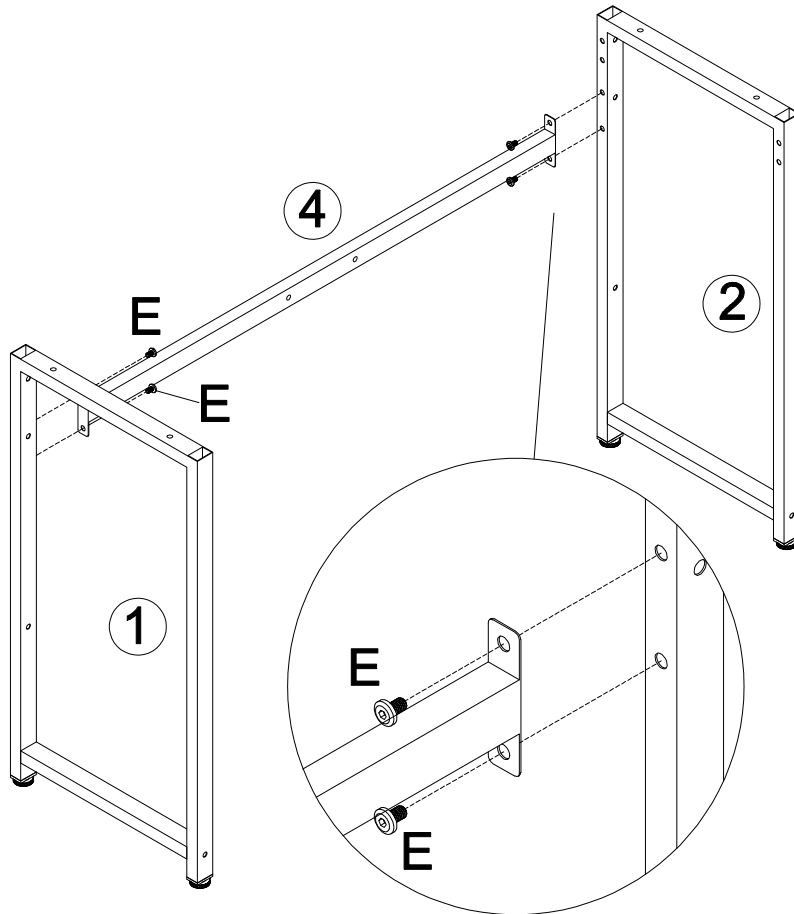


STEP 2




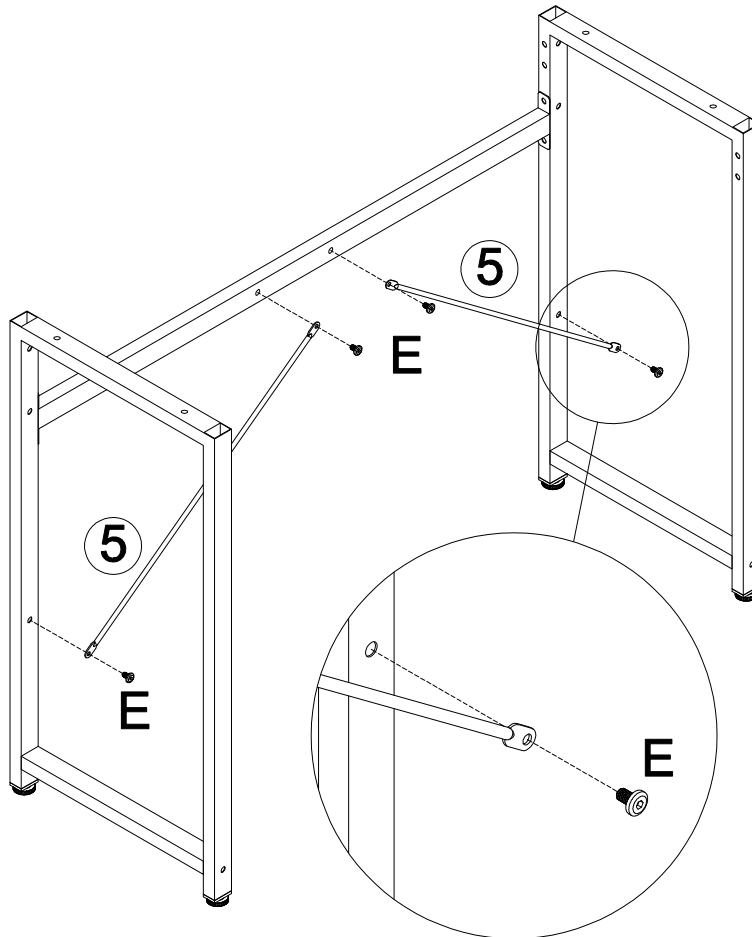
STEP 3

E  x4



STEP 4

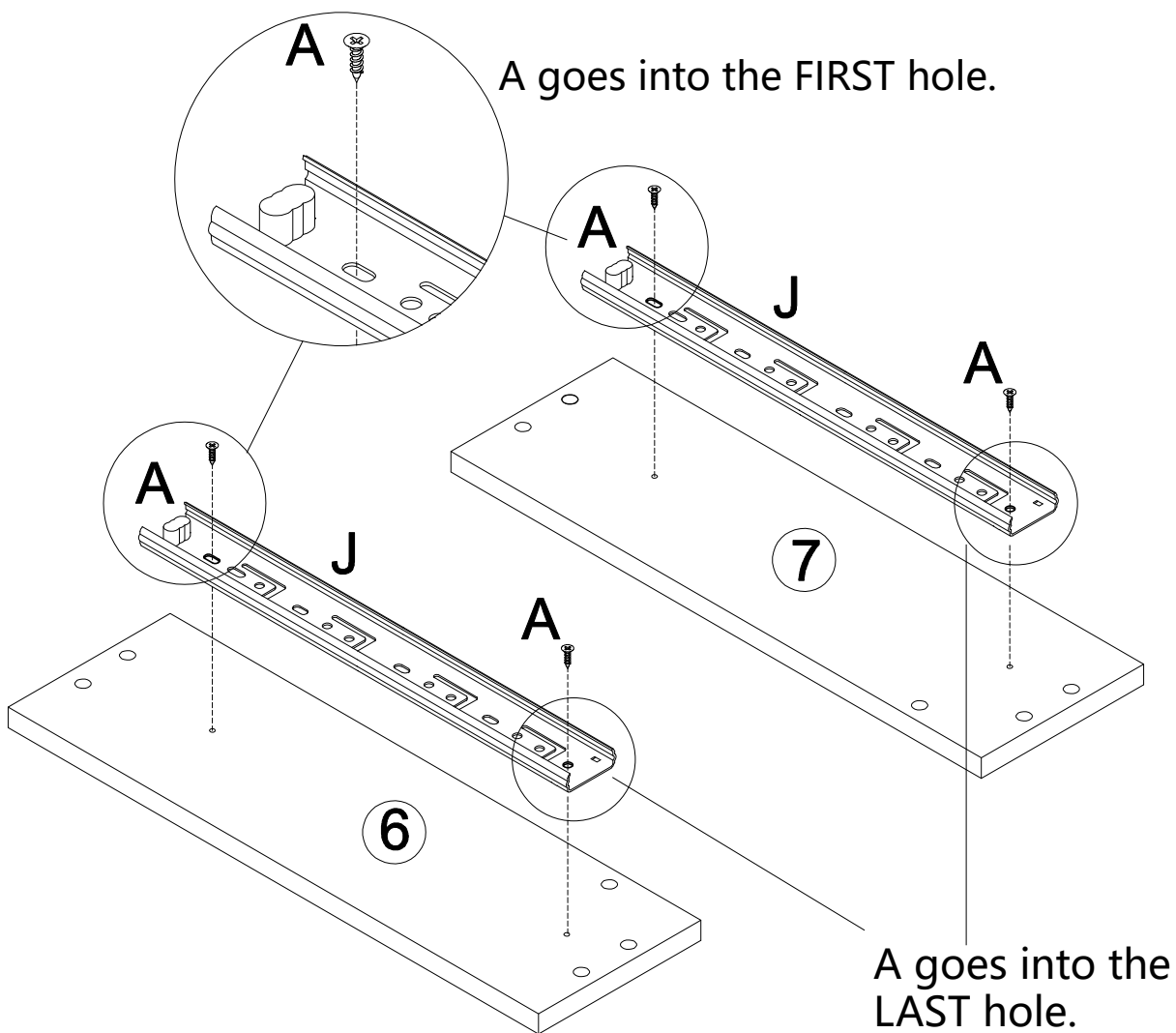
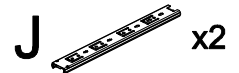
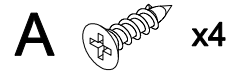
E  x4



ATTENTION: This step is critical, please read it verbatim or you will get errors!

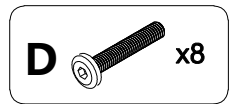
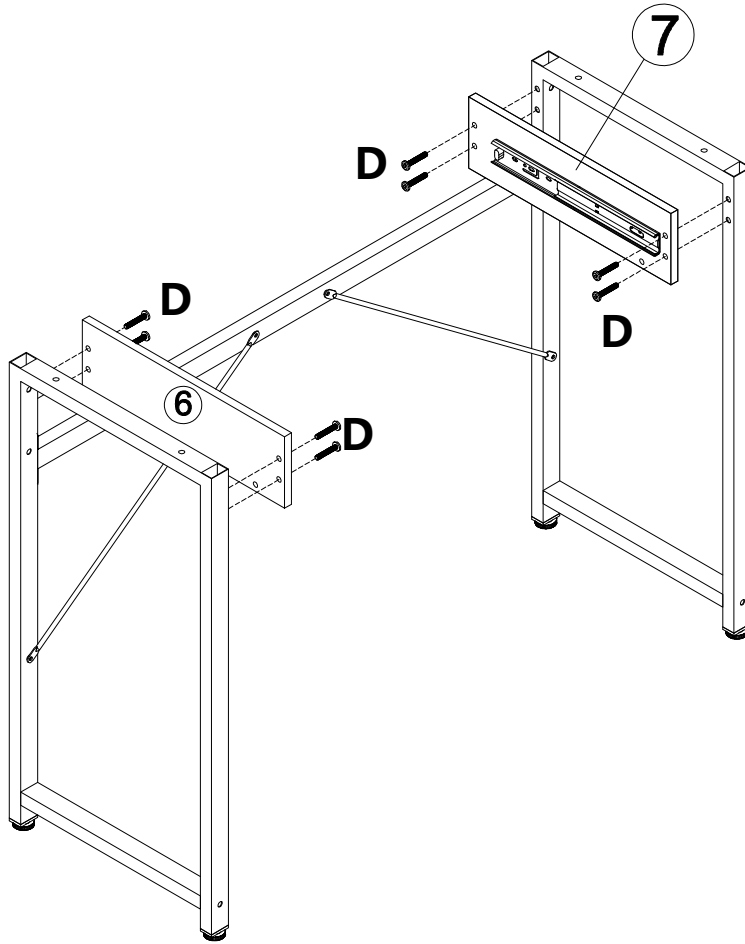
STEP 5

Please refer to page 2 for the method of separating the drawerslides.

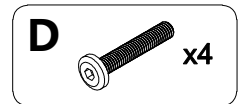
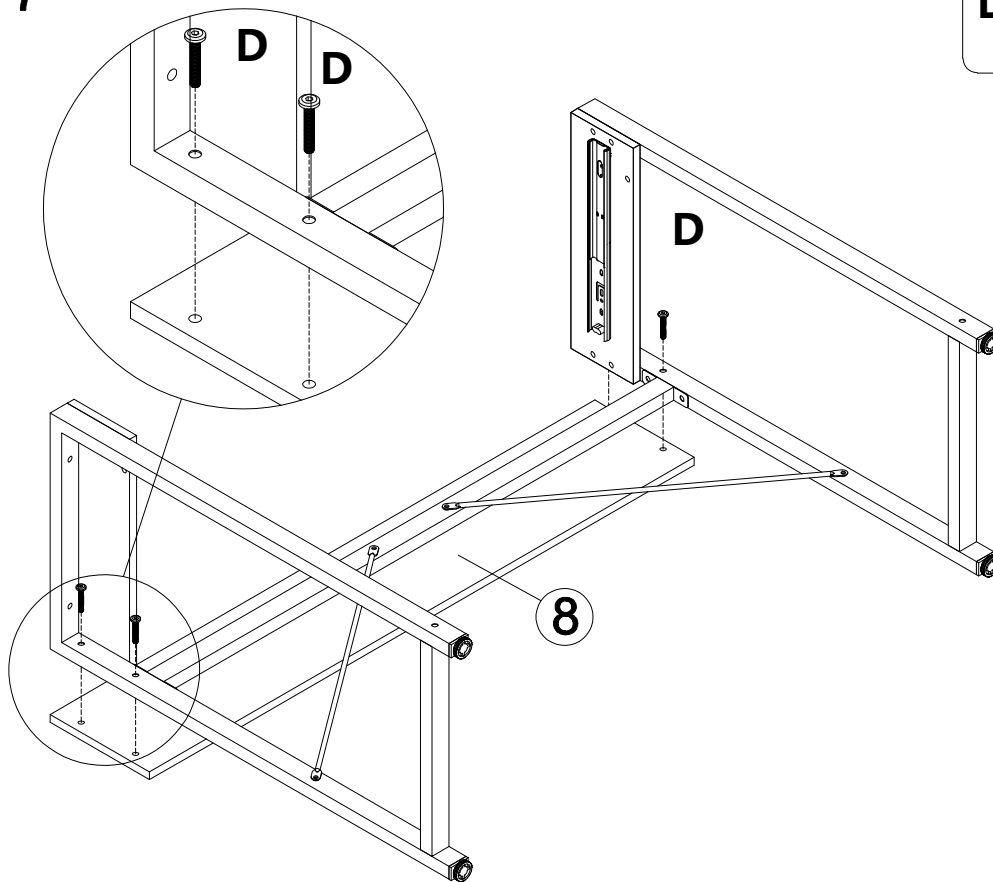


Tighten A after final adjustment.

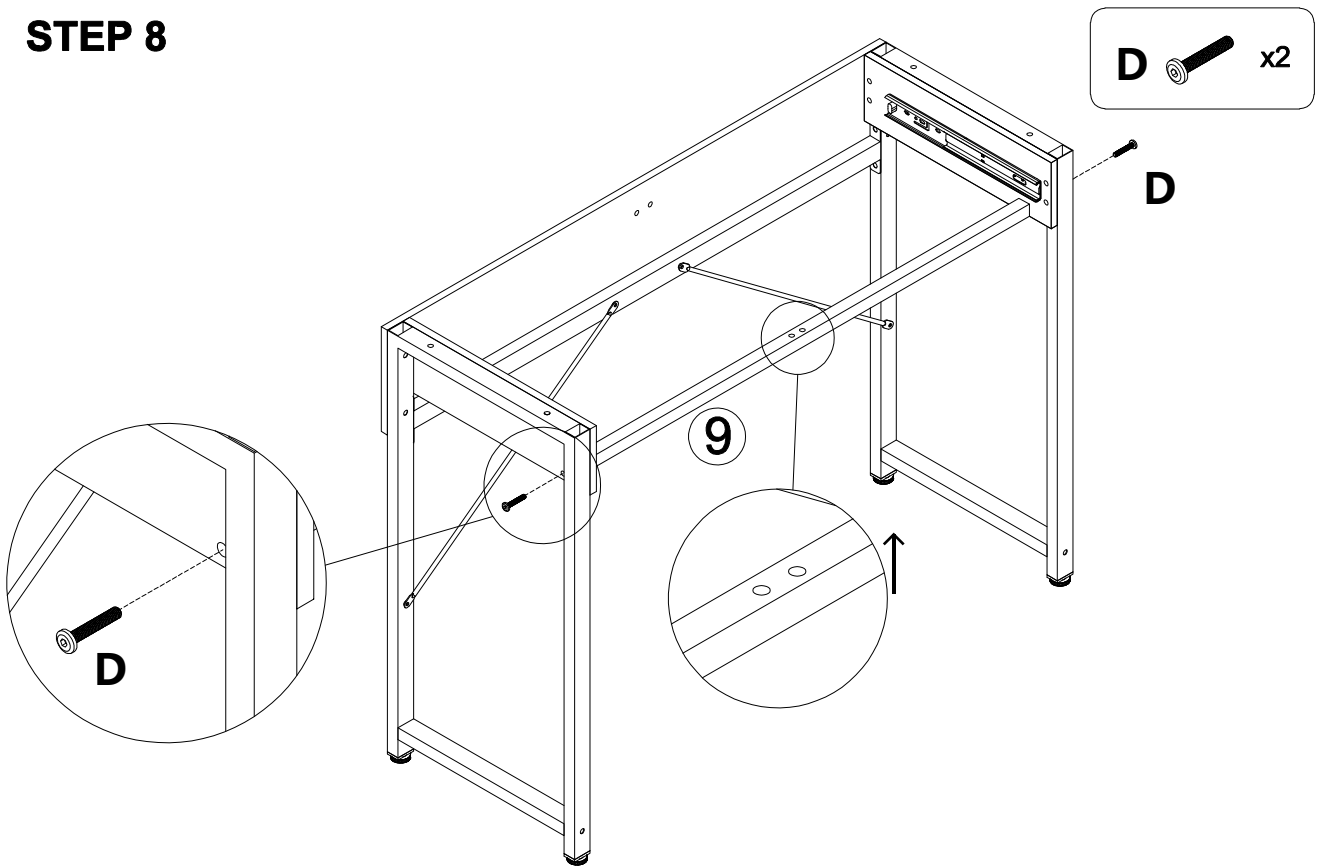
STEP 6



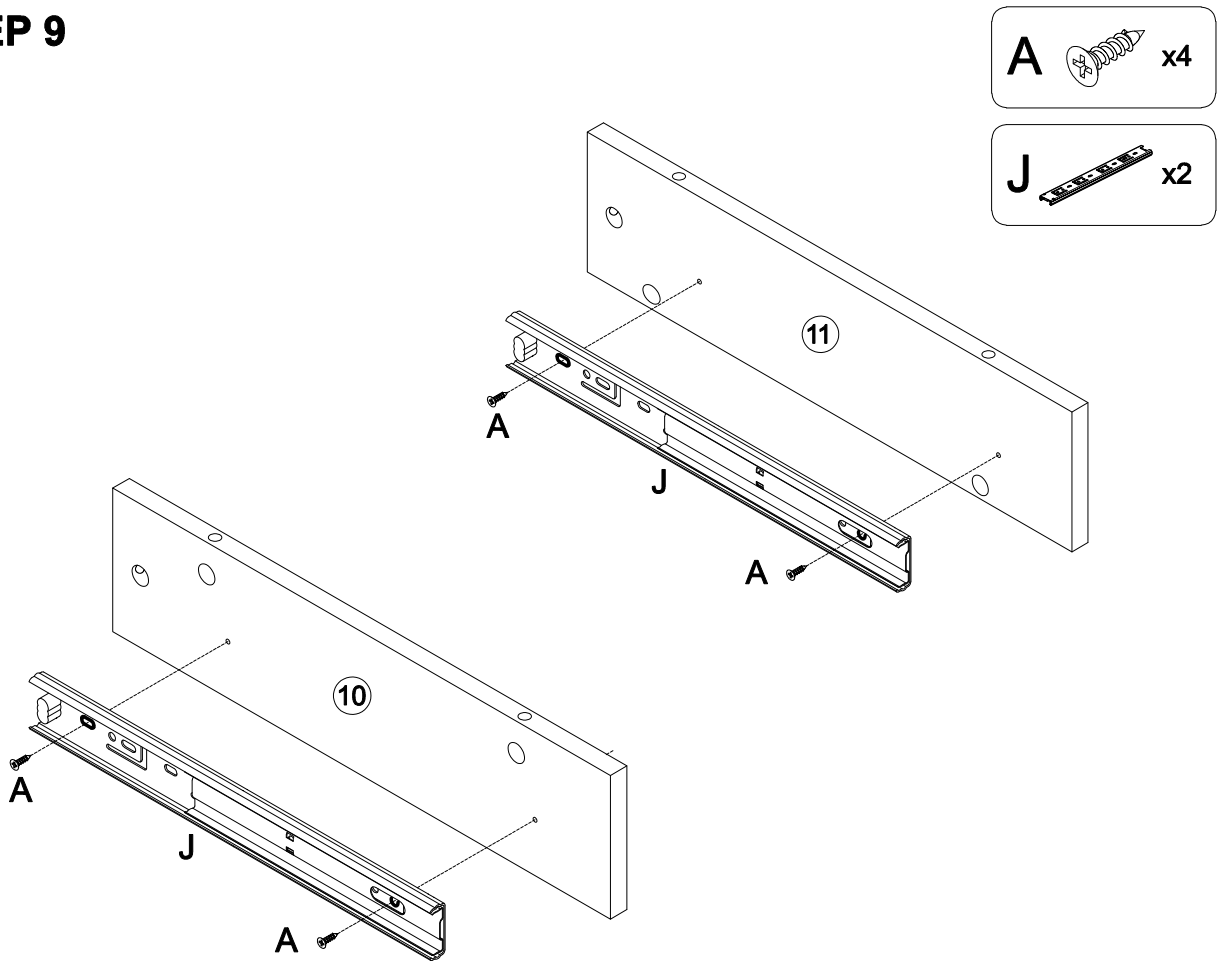
STEP 7



STEP 8

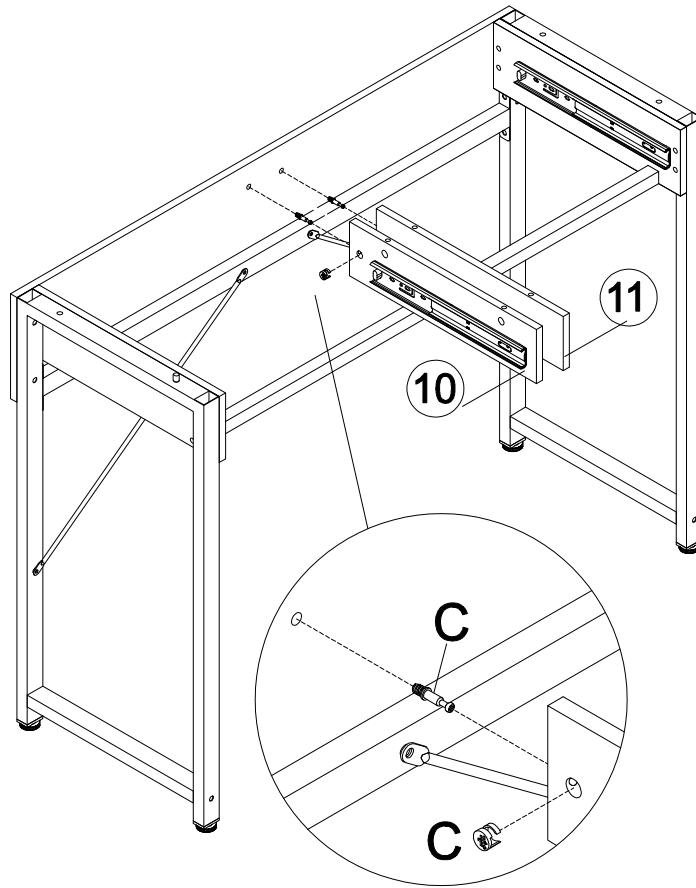
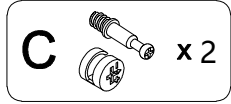


STEP 9

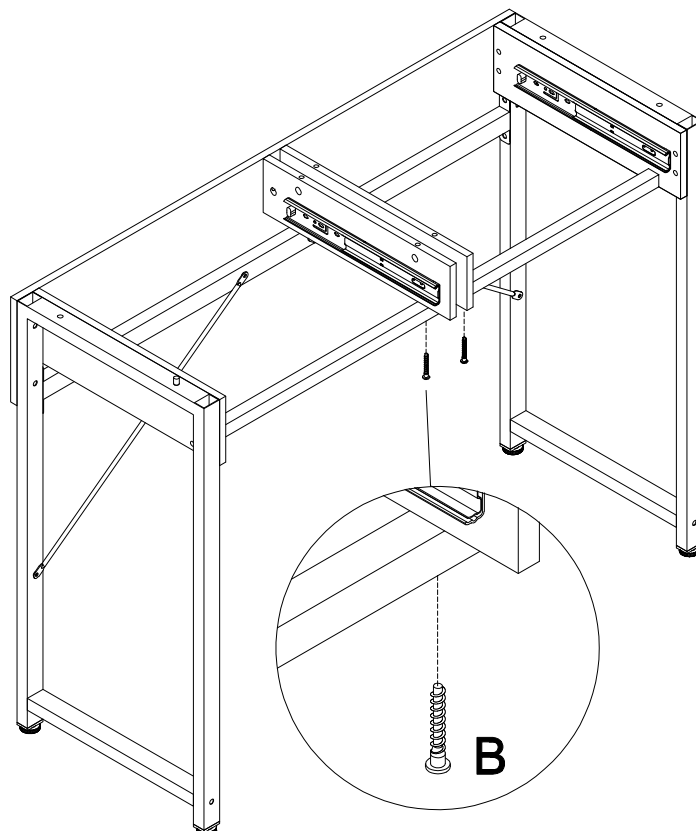
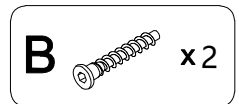


Tighten **A** after final adjustment.

STEP 10

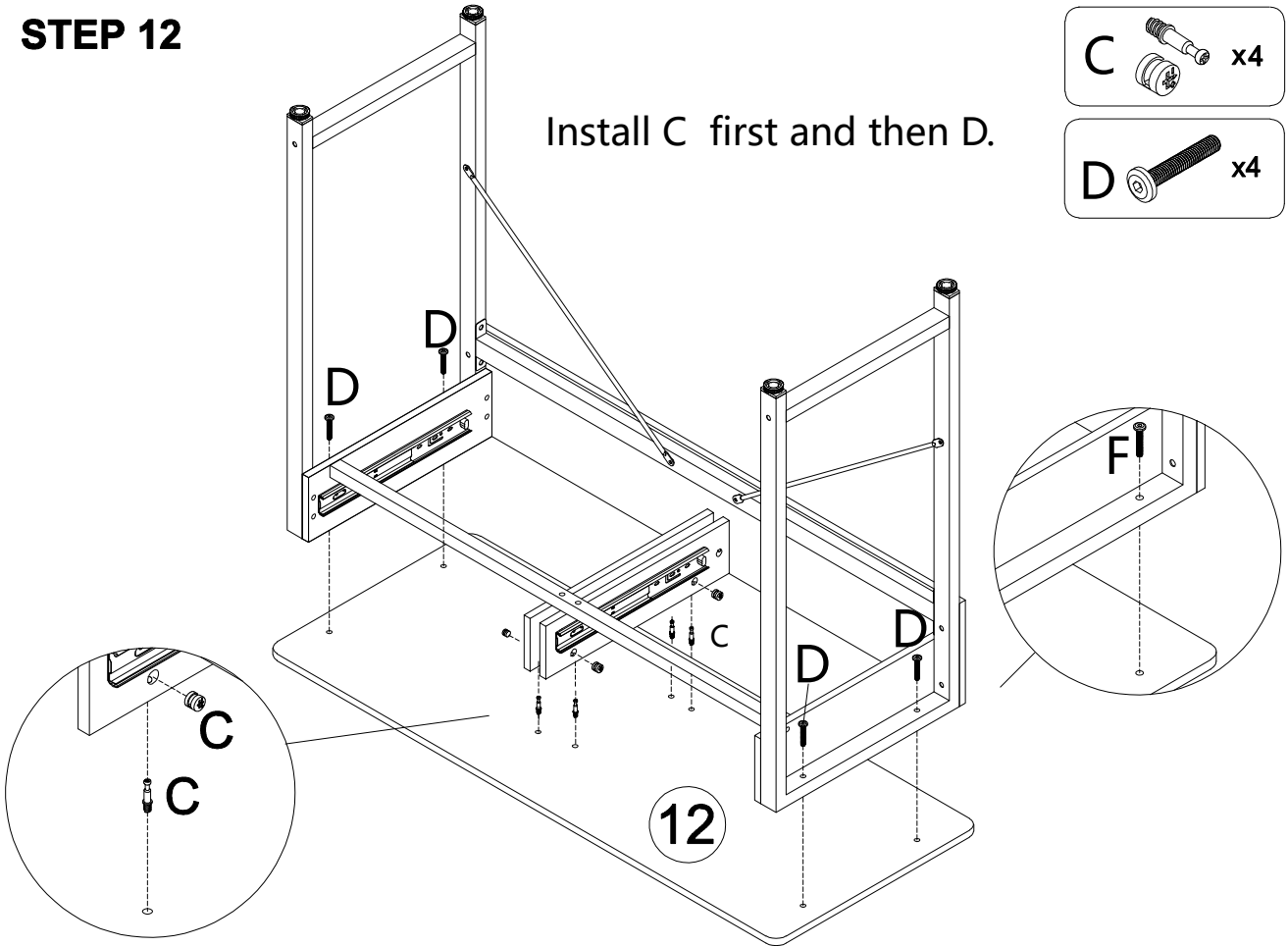
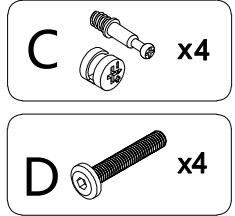


STEP 11

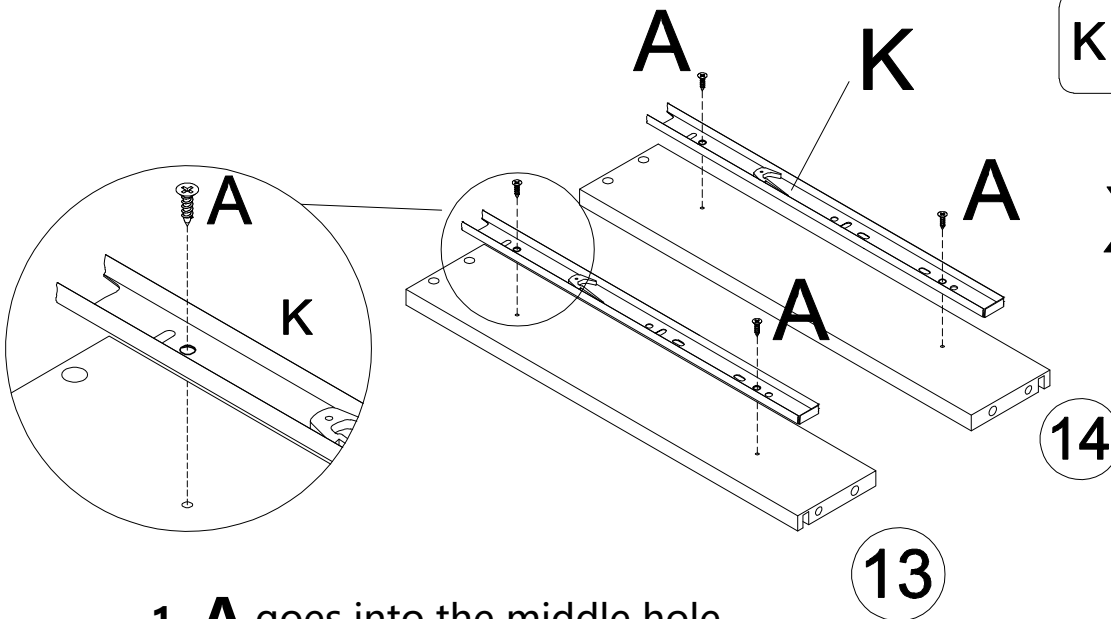
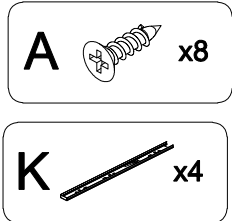


STEP 12

Install C first and then D.

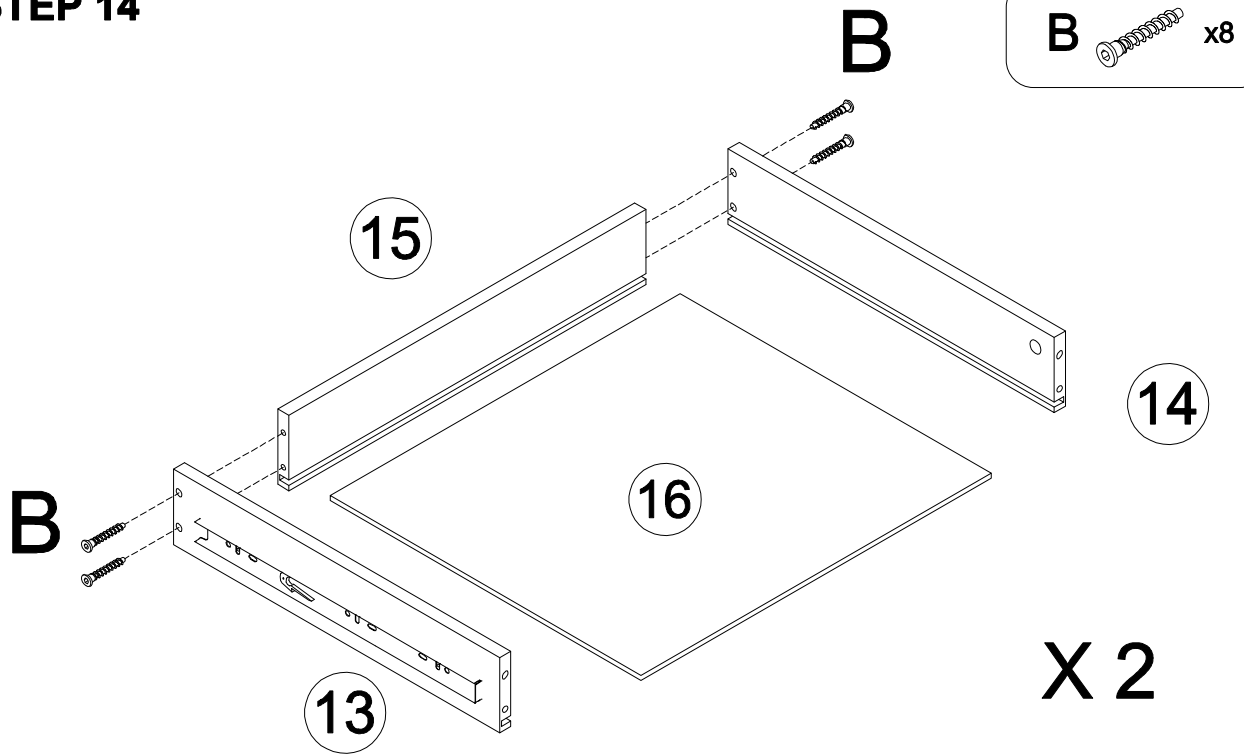


STEP 13

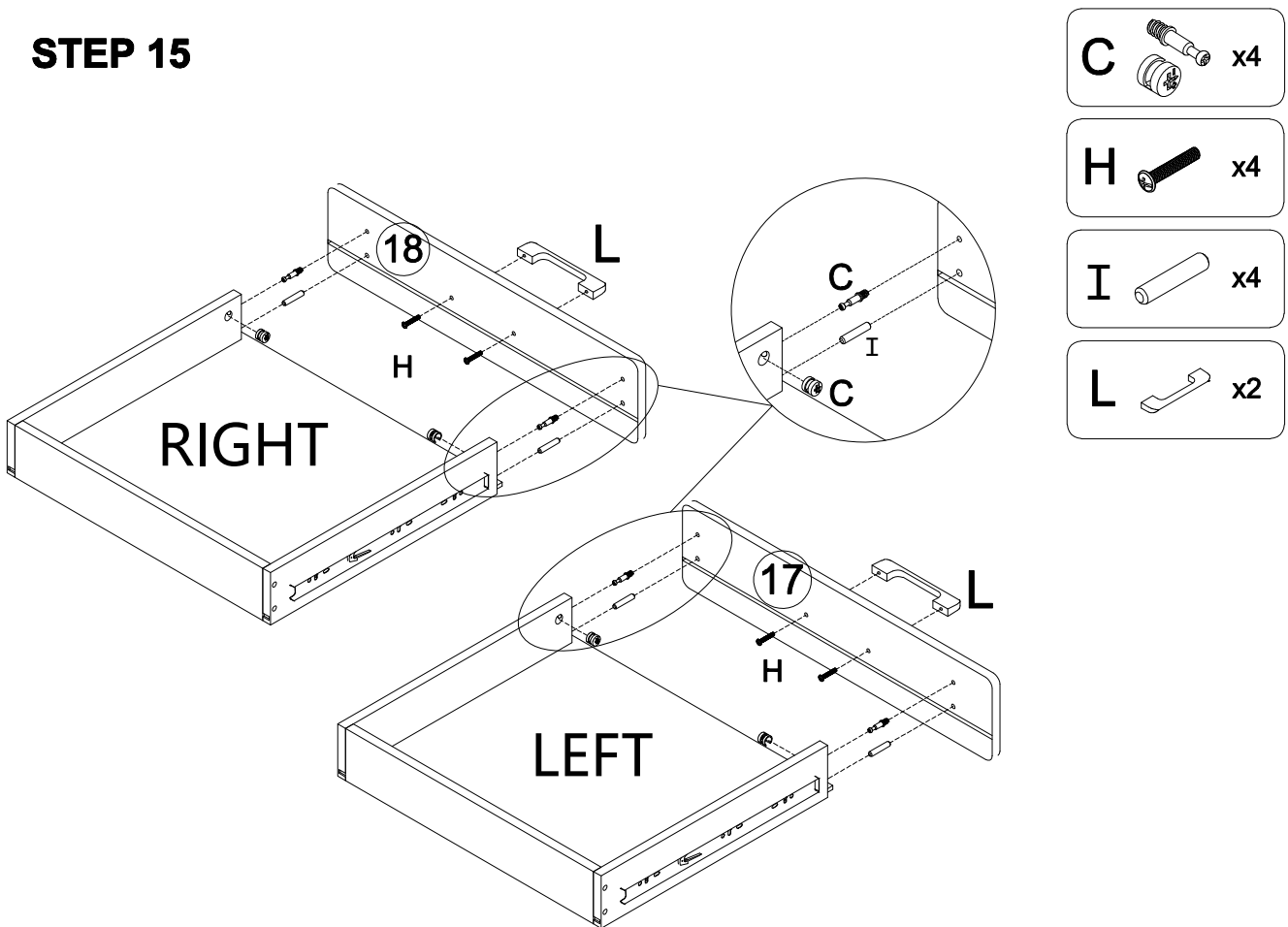


1. **A** goes into the middle hole.
2. **K**'s narrow end face inward.

STEP 14

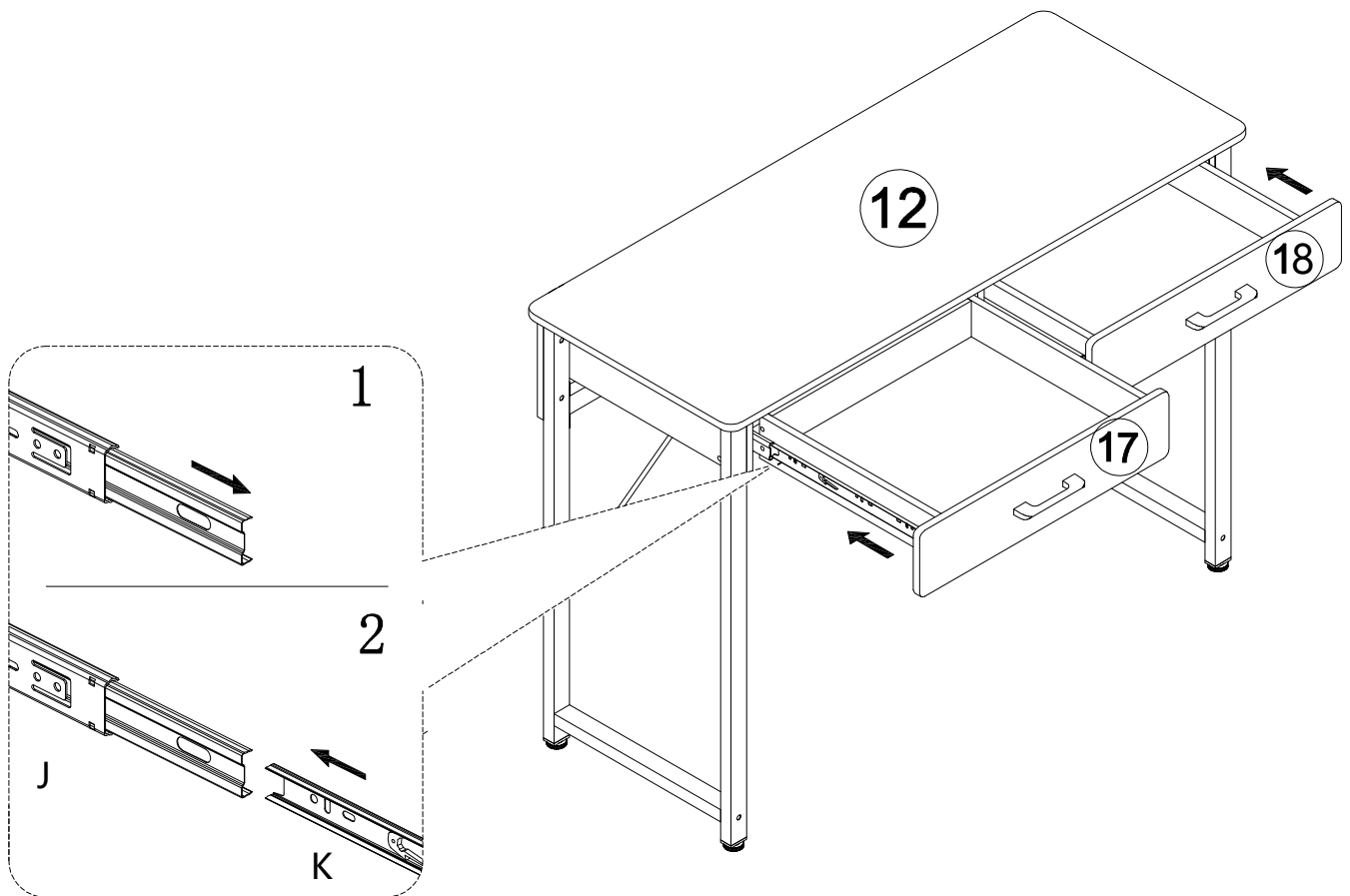


STEP 15



ATTENTION: This step is critical, please read it verbatim or you will get errors!

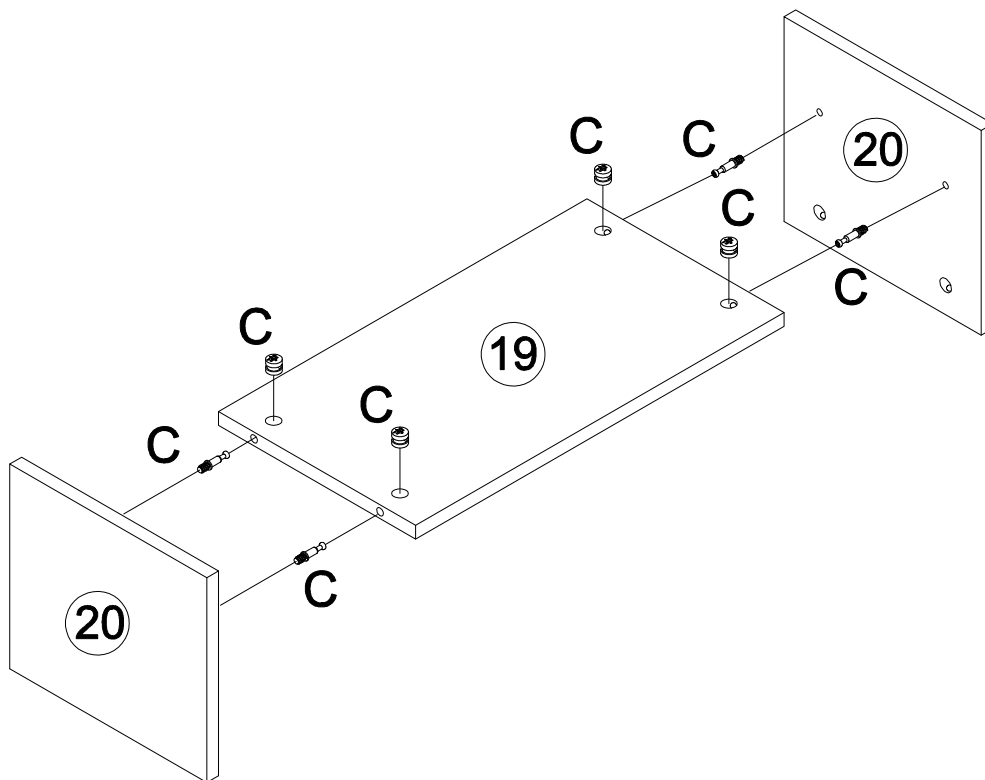
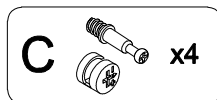
STEP 16



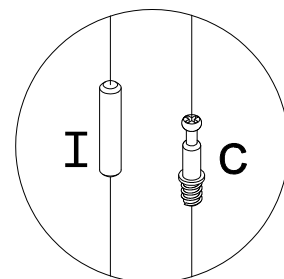
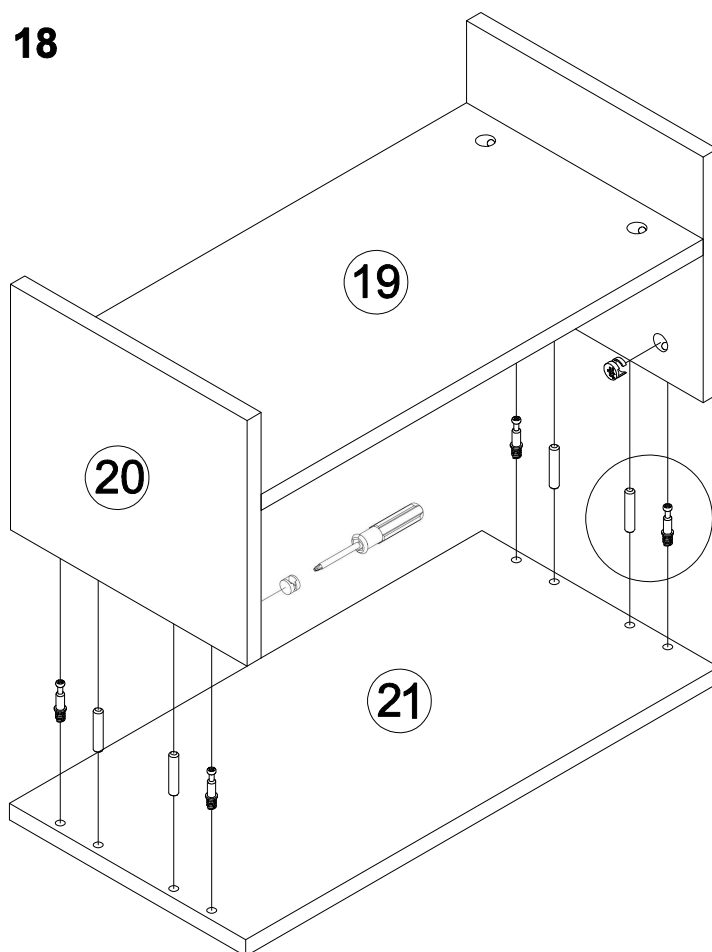
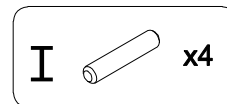
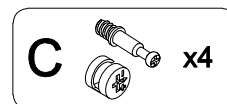
★ Press the middle fixing rails on the left and right sides with your hands, insert the drawer and push it horizontally inwards. The two slide rails must be mounted in parallel, or it will difficult to slide.

If it is not installed well, turn the buckle on **K** up and down to take out the drawer and install it again.

STEP 17



STEP 18



STEP 19

