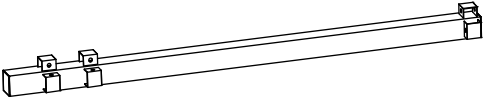
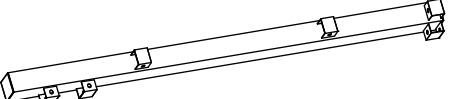
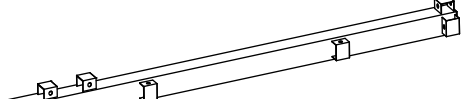
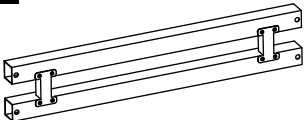
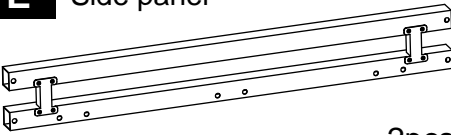
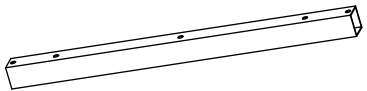

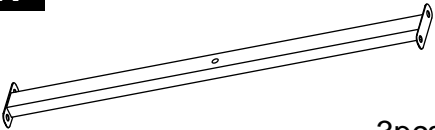
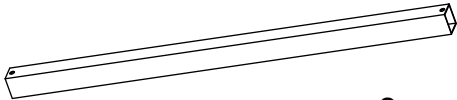
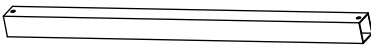

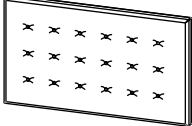
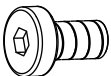
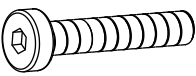
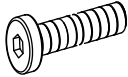
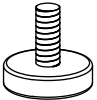
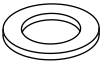
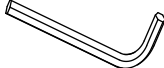
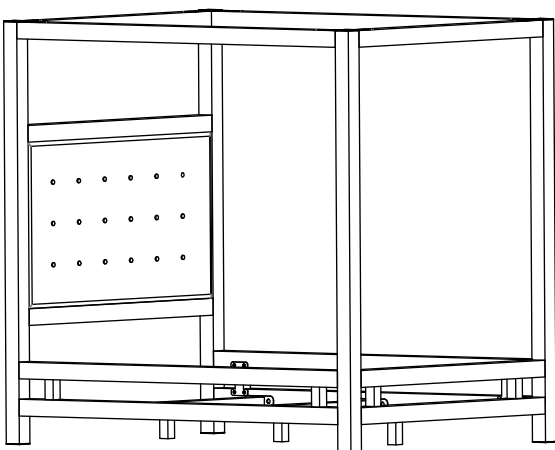


ASSEMBLY INSTRUCTION

METAL HEADBOARD & FOOTBOARD WITH CANOPY & MATTRESS FRAME

A Footboard support  2pcs	B Headboard - right support  1pc	C Headboard - left support  1pc
D Footboard panel  1pc	E Side panel  2pcs	F Headboard stretcher  2pcs
G Headboard - back support  3pcs	H Mattress frame stretcher  3pcs	I Canopy long stretcher  2pcs
J Canopy short stretcher  2pcs	K Mattress frame support  3pcs	L Upholstery (In other carton)  1pc
M Bolt 1/2" L  42pcs	N Bolt 1-1/2" L  3pcs	O Bolt 1" L  6pcs
P Leveler  3pcs	Q Flat washer  6pcs	R Allen wrench  1pc

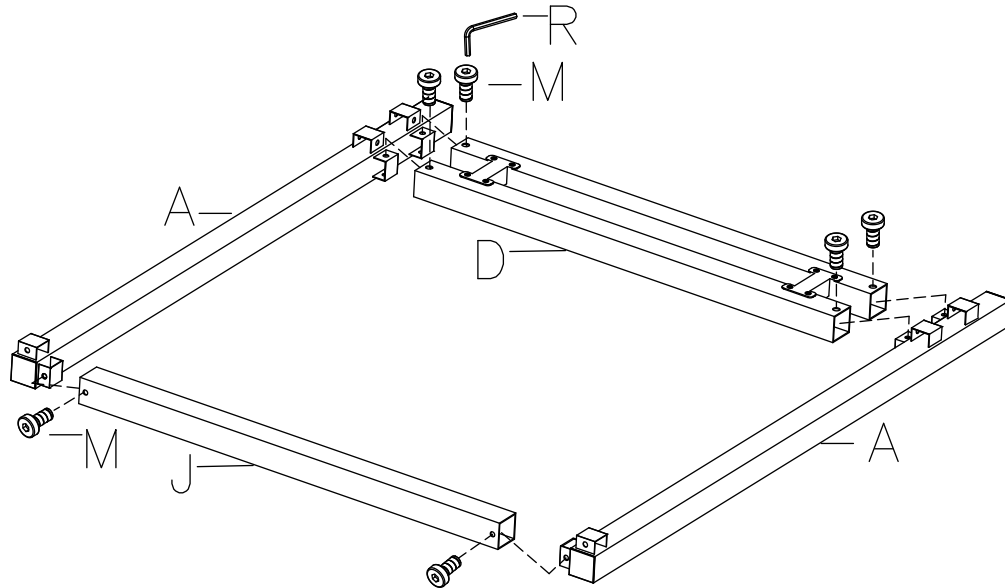


This page lists all the contents included in the box. Please take the time to identify the hardware as well as the individual components to this product. As you unpack and prepare for assembly, place the contents on a carpeted or padded area to protect them from damage.

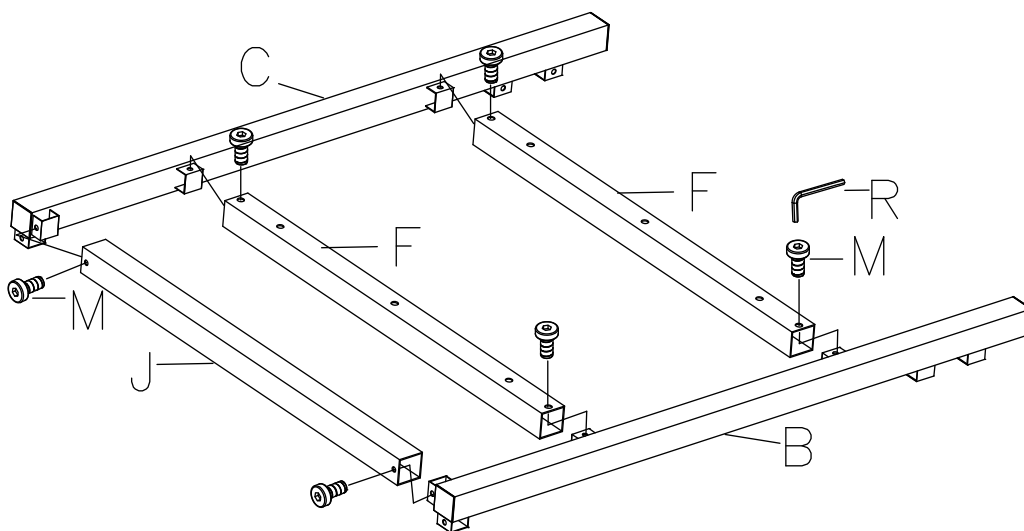
***** Do not tighten screws & bolts until the entire unit is completely assembled.**

Please take note and follow the directions as the assembly instruction shown while assembling.

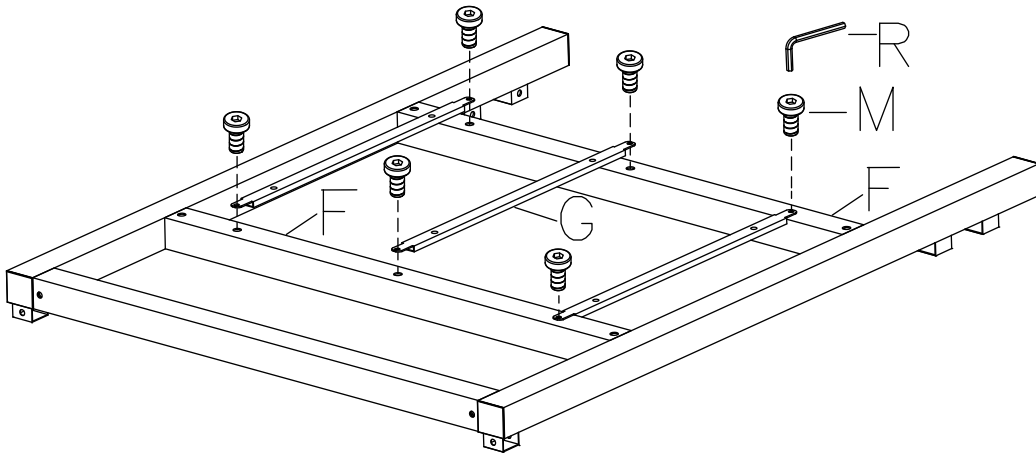
- 1** Attach footboard panel (D) and canopy short stretcher (J) to footboard support (A) using bolts (M) and allen wrench (R) as shown.



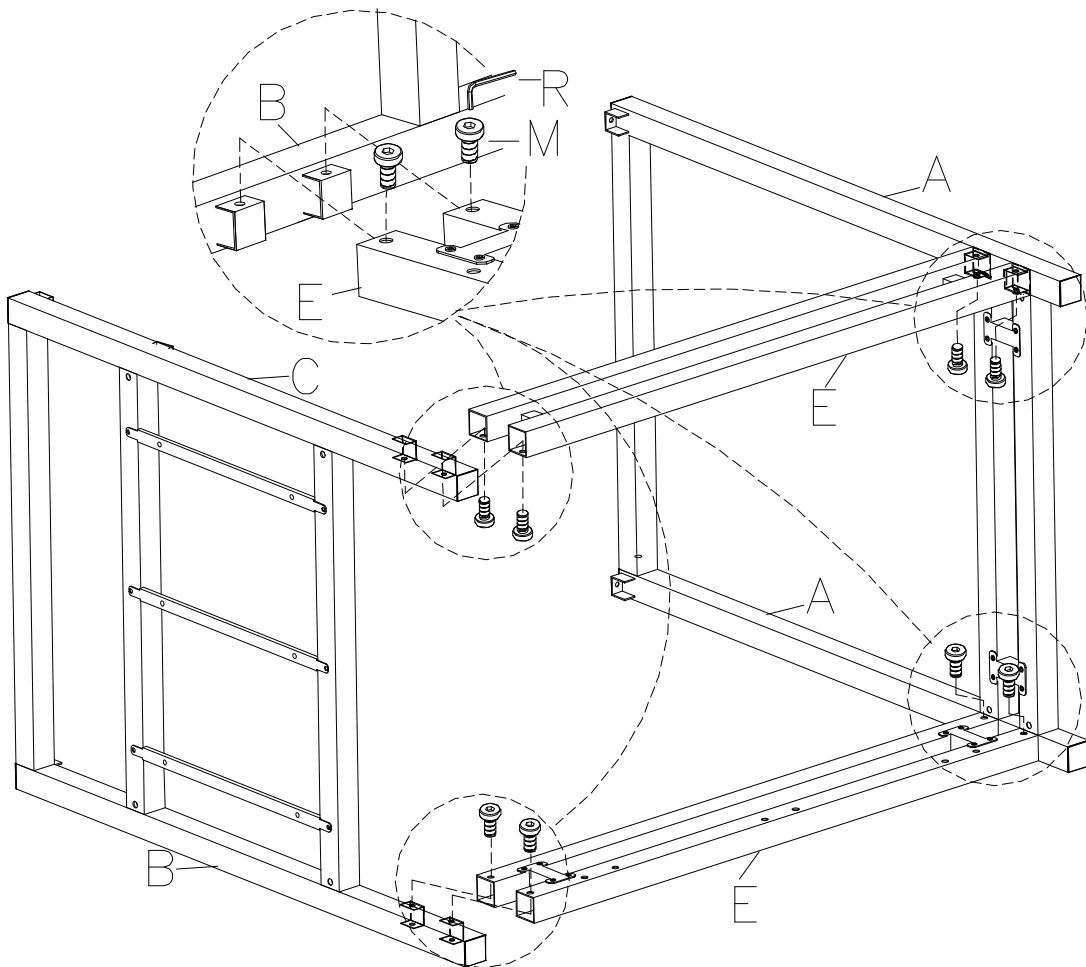
- 2** Attach canopy short stretcher (J) and headboard stretcher (F) to headboard – right support (B) and headboard - left support (C) using bolts (M) and allen wrench (R) again.



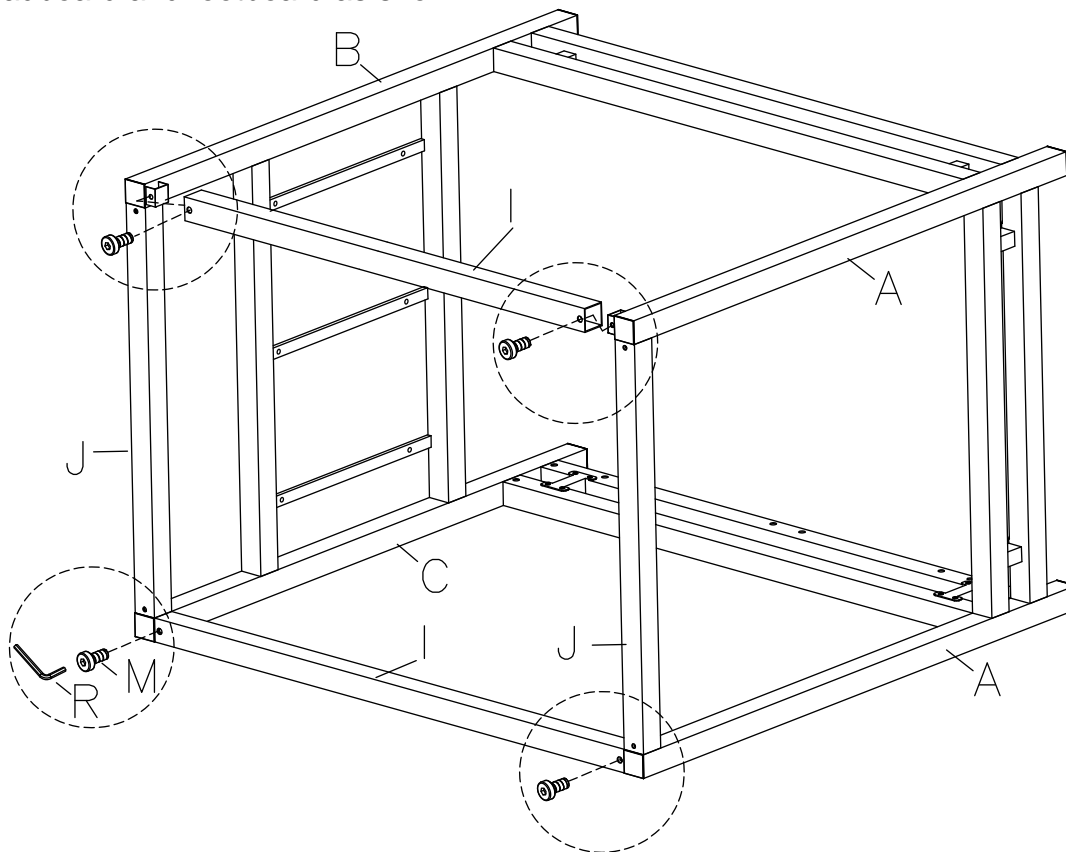
- 3** Using bolts (M) and allen wrench (R), attach headboard – back support (G) to headboard stretcher (F) as shown.



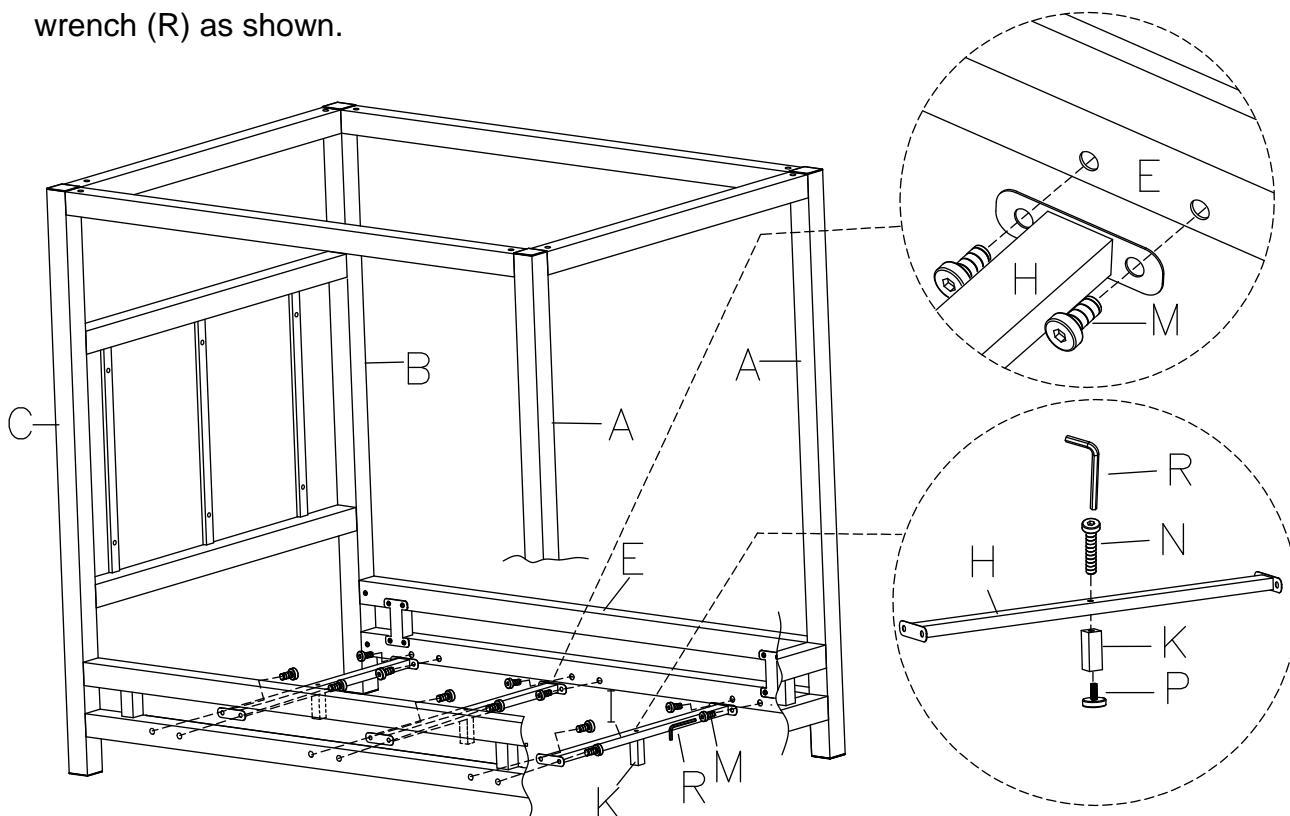
- 4** Attach side panel (E) to the assembled headboard and footboard using bolts (M) and allen wrench (R) as shown.



5 Using bolts (M) and allen wrench (R) again, attach canopy long stretcher (I) the assembled headboard and footboard as shown.



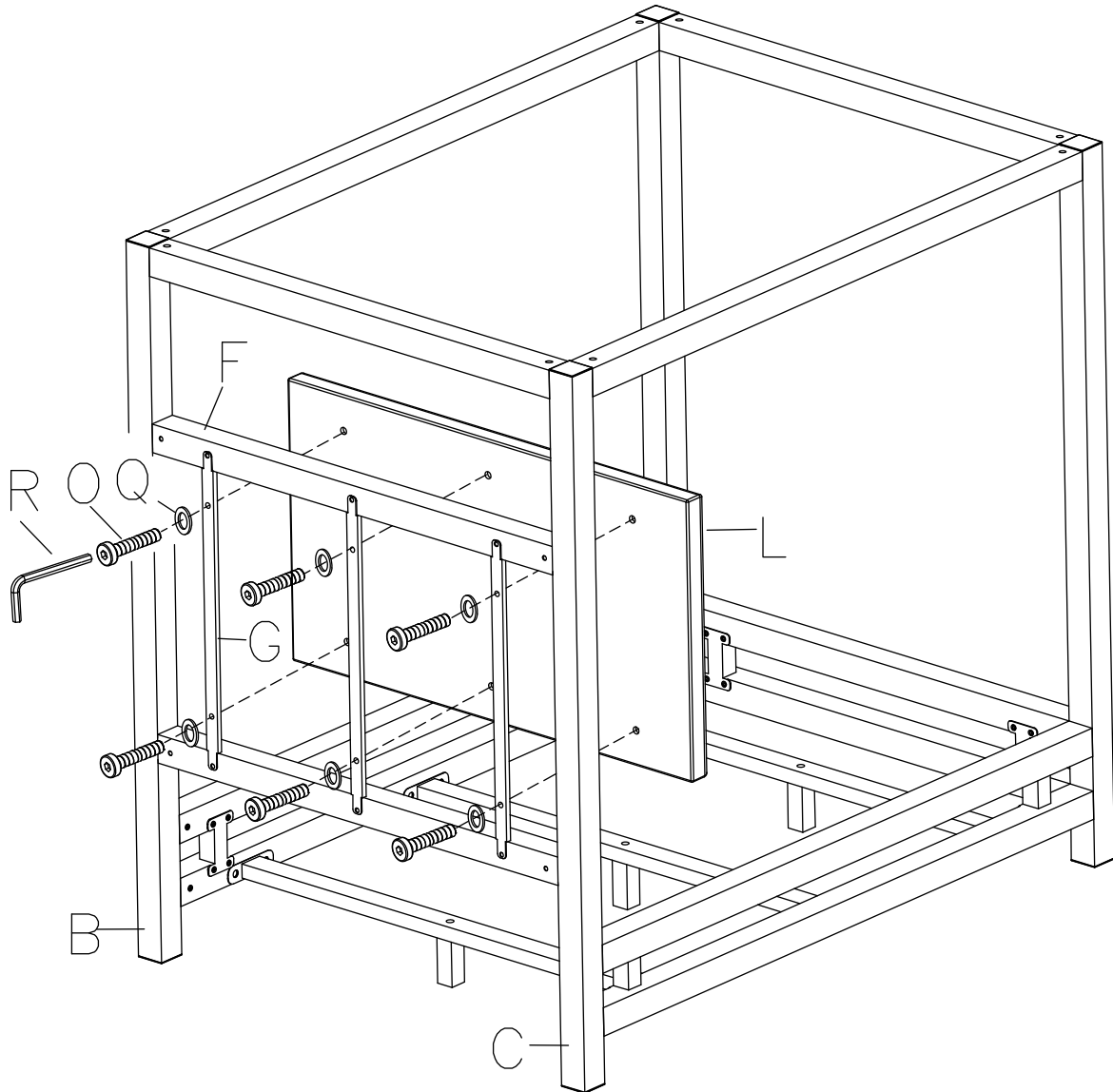
6 Attach mattress frame support (K) to mattress frame stretcher (H) using bolts (N) and allen wrench (R). Then, attach leveler (P) to mattress frame support (K). Attach the assembled mattress frame stretcher (H) to side panel (E) using bolts (M) and allen wrench (R) as shown.



7

Please note the part of upholstery (L) is in a separate pack.

Attach upholstery (L) to headboard – back support (G) using flat washer (Q), bolts (O) and allen wrench (R) as shown.



Cleaning & Care

Treat surface with care. Surface is resistant to scratches but is not scratch resistant. Clean surfaces with a dry or damp soft cloth. Do not use abrasive cleaners. Hardware may loosen over time. Periodically check that all connections are tight.