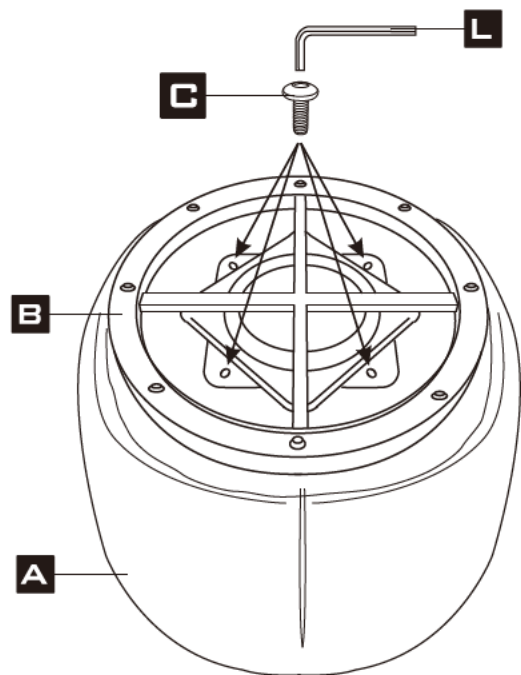
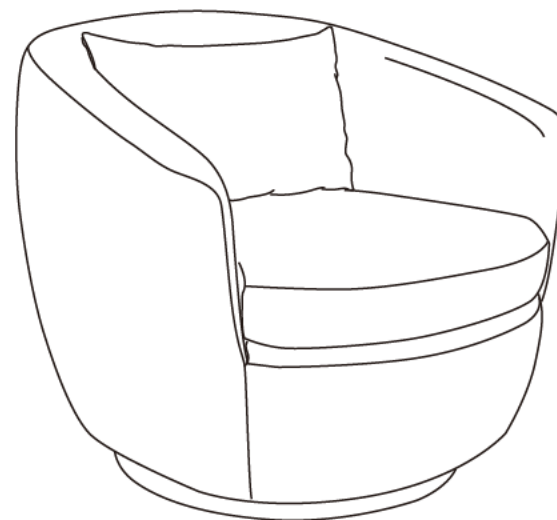


ASSEMBLY INSTRUCTION

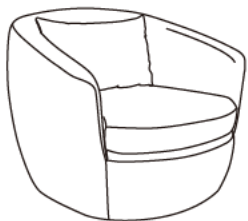
①



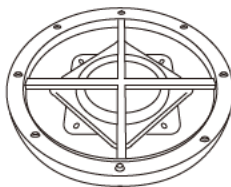
②



A x1 PC



B x1 PC



C x4 PCS



(M6*20mm)

L x1 PC



M6