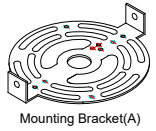


Hardware Package(included):



Mounting Bracket(A)



Mounting Screw(B)



Head Screw(C)



ScREW Nut(D)



Wire Nut(E)



Screw(F)



Plastic expansion pipe(G)



Nut Gasket(H)

ASSEMBLY AND INSTALLATION INSTRUCTIONS

WARNING : TO AVOID RISK OF ELECTRICAL SHOCK, BE SURE TO SHUT OFF POWER BEFORE INSTALLING OR SERVICING THIS FIXTURE.

NOTES: 1. Before installing, consult local electrical codes for wiring and grounding requirements.
2. READ AND SAVE THESE INSTRUCTIONS.

Installation Steps

Turn off the power at fuse or circuit box

Assembly of the fixture body
Check if all the accessories are included.

Steps 1-2: Connect the metal rings with straight metal tubes and secure them with screws.

Step 3: Thread the power cord through the hardware suspension rod and splice and tighten it.
Steps 4-5: First, put the gimbal head into the chassis and lock it with a nut, then connect it with the hardware straight pipe.

Steps 6: Attach the Mounting Bracket to the outlet box by using two mounting screws.

Step 7: Pull out the source wires from the outlet box. Make wire connections using wire nuts as follows:

---Connect the hot wire (usually black insulation) from the fixture to the black wire from the power source.

---Connect the neutral wire (usually white insulation) from the fixture to the white wire from the power source.

---Attach the fixture grounding wire (usually bare wire) connect it to the house grounding wire with the wire nut.

Carefully put the wires back into the outlet box.

Step 8: Fasten the lamp body to the metal hanging plate with screws.

Step 9: Hang the crystal pendants in sequence according to the drawing.

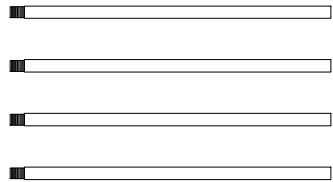
Step 10: Insert the G9 light source (light source not included in factory delivery), test that it lights up normally, and the installation is complete.

Attention

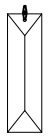
1. Please install it by a licensed electrician.
2. Due to the different display, the actual color can be different from the image.
3. Due to the manual measurement of lamp body size, there may be a deviation of 1/2 inch.
4. If there are any quality problems, missing parts or other something wrong of the item, please feel free to contact us and we will try our best to help you.

3

Ø12*250MM 4PCS



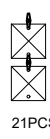
9



A 36PCS



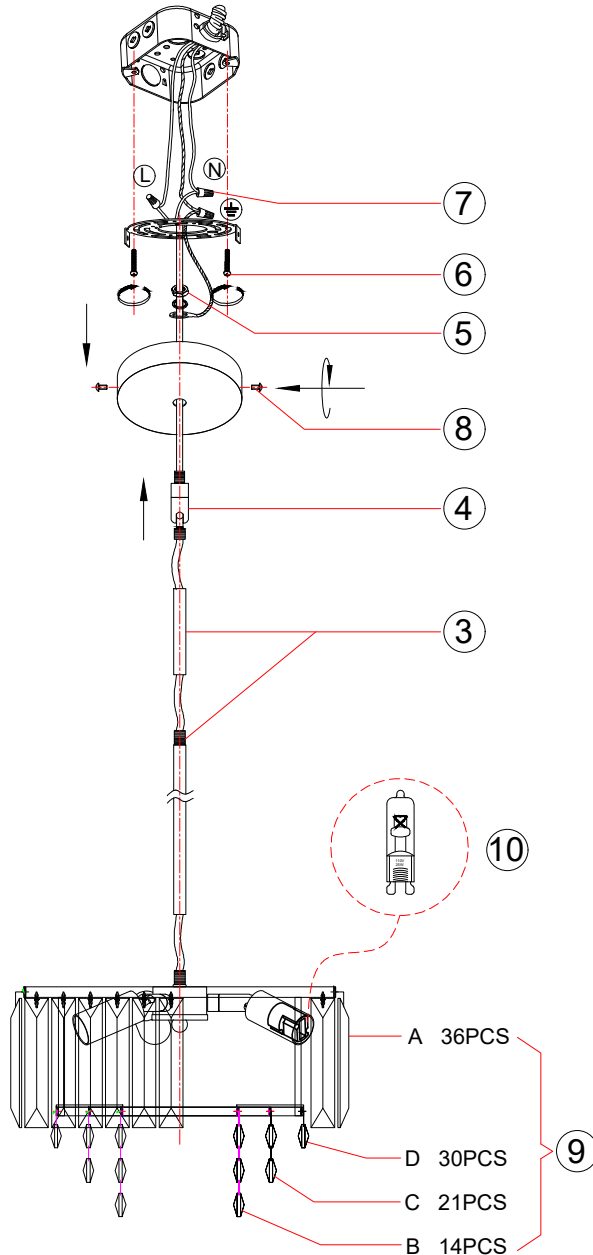
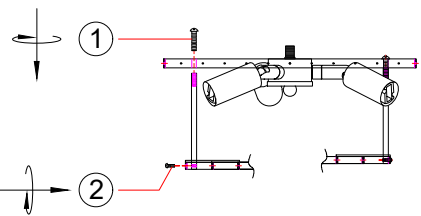
B 14PCS



C 21PCS



D 30PCS



A 36PCS

D 30PCS

C 21PCS

B 14PCS

9