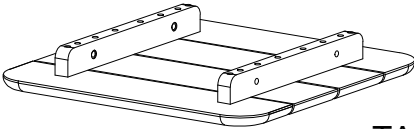
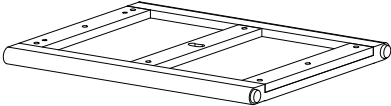


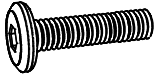


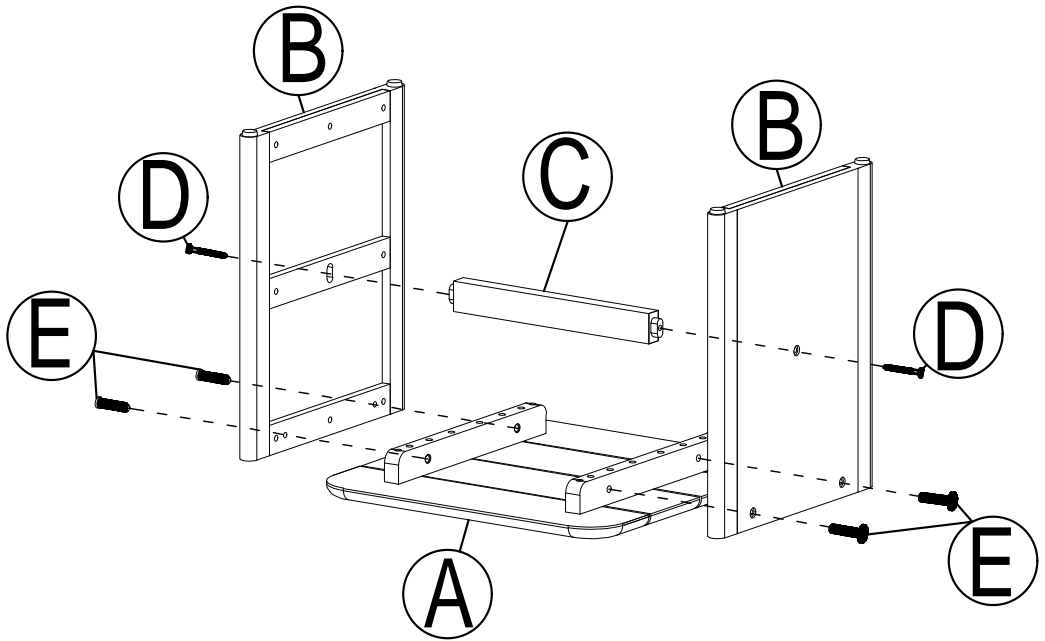


# ASSEMBLY INSTRUCTIONS

NUMBER	COMPONENT	QUANTITY
A	 <p>TABLE TOP</p>	1PC
B	 <p>SUPPORTING FEET</p>	2PCS
C	 <p>CONNECTING ROD</p>	1PC
D	 <p>SCREW M6X50MM</p>	2PCS
E	 <p>BOLT M6X40MM</p>	4PCS
F	 <p>PLASTIC LID</p>	6PCS
G	 <p>M4</p>	1PC

# ASSEMBLY INSTRUCTIONS

1

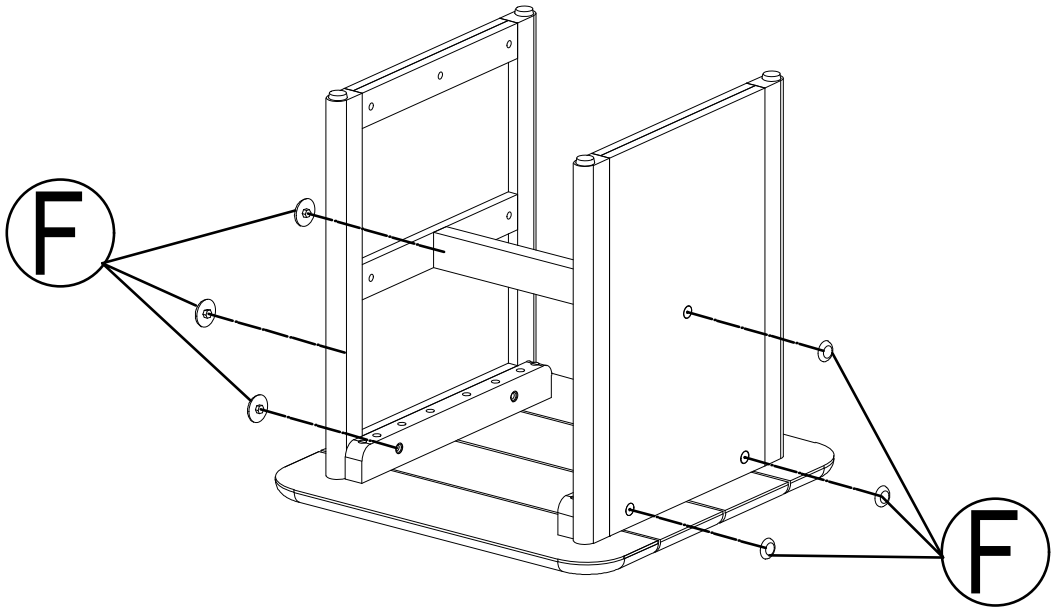


Use the Allen M4 (G) and the Screws M6X50 MM (D) to connect the Connecting Rod (C) to the 2 Supporting Foot (B).

Use the Allen M4 (G) and the Bolts M6X40 MM (E) to connect the 2 Supporting Foot (B) to the Table Top (A).

# ASSEMBLY INSTRUCTIONS

2



Use the Plastic Lid (F) to cover the Screw Heads entirely.

# ASSEMBLY INSTRUCTIONS

3

