

We'd Love to Hear from You!

VECELO cherish the voice of every customer. Share your thoughts with us and get a \$20 gift card reward.

Step1: Send your thoughts with order ID to support@vecelo.com

Step2: Receive our \$20 gift card rewards right now

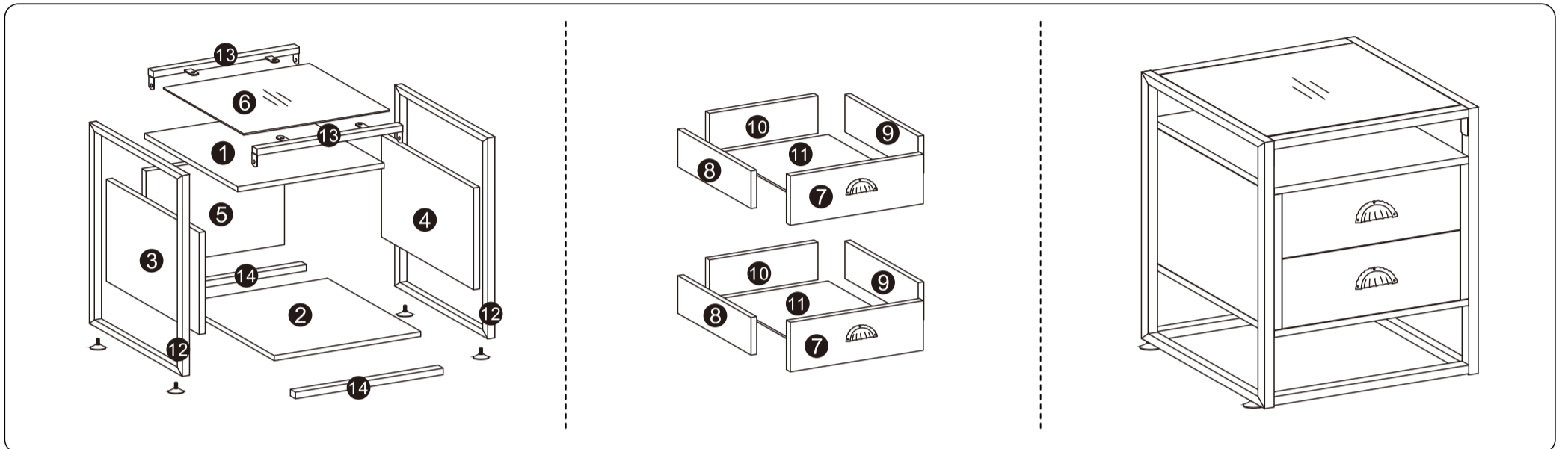
How to find us?

Customer Service (24/7)

Email: support@vecelo.com

Website: www.vecelo.com

Facebook page: [VECELO](https://www.facebook.com/VECELO)



Tips!

Check all the components & screws before assembly. Do not install in case part is missing, contact us to get. Send email with your question to support@vecelo.com. We will resend within 24 hours.

Components

1		1	8		2
2		1	9		2
3		1	10		2
4		1	11		2
5		1	12		2
6		1	13		2
7		2	14		2

Screws&Tools

A			13
B1		M6X35mm	8
B2		M6X15mm	4
C		ST3. 5X12mm	16
D1		ST5X50mm	21
D2		ST5X70mm	4
E			4
F		ST3X12mm	6
G		M6mm	4
H			4
I			2
J		4	

Return Policy

VECELO believes you will absolutely love your new item. But if for some reason you want to return, please contact us directly before you decide to return your product. Our customer service organization can answer most concerns and assist you with any questions you may have about your new item, please email us first at: support@vecelo.com.

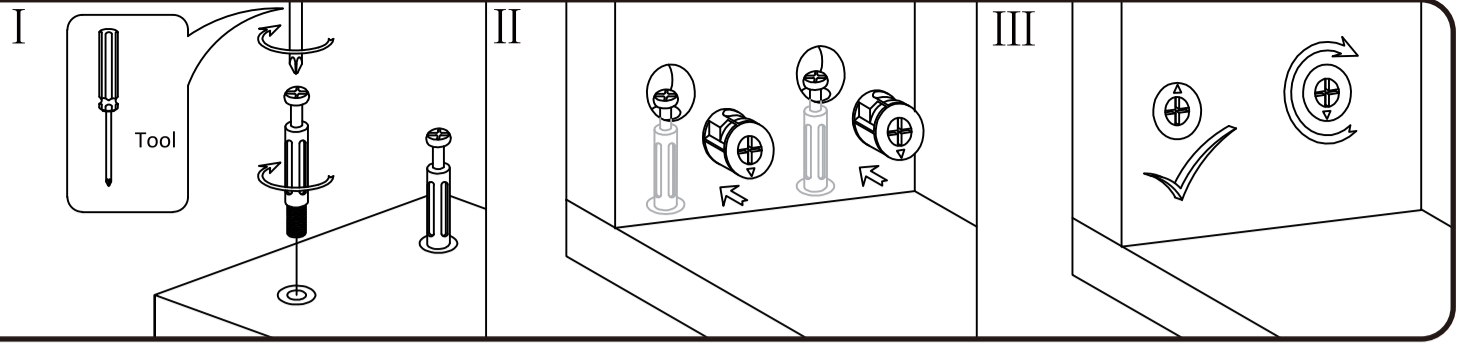
The item must be return within 30 days of delivery for a full refund. The item must be returned in good condition, in original box, with all original proof of purchase, parts and accessories.

Trouble shooting

Missing parts	Other issues
Send email with your question to support@vecelo.com	Send email with your question to support@vecelo.com
Resend within 24 hours	Resend within 24 hours
Issue resolved	Issue resolved

We control manufacturing and distribution ourselves, ensure the quality.

"A" Hardware installation example



StepA:Drawer Assembly (1 2 3)

1

D1
ST5X50mm
8PCS

x2

2

F
ST3X12mm
6PCS

x2

3

A
8PCS

x2

4

C
ST3. 5X12mm
8PCS

x2

5

6

C
ST3. 5X12mm
4PCS

7

D1
ST5X50mm
5PCS

8

A
5PCS

9

D1 ST5X50mm 8PCS
D2 ST5X70mm 4PCS

10

B1 M6X35mm 8PCS
B2 M6X15mm 4PCS
G M6mm 4PCS

11

H
4PCS

12

13