

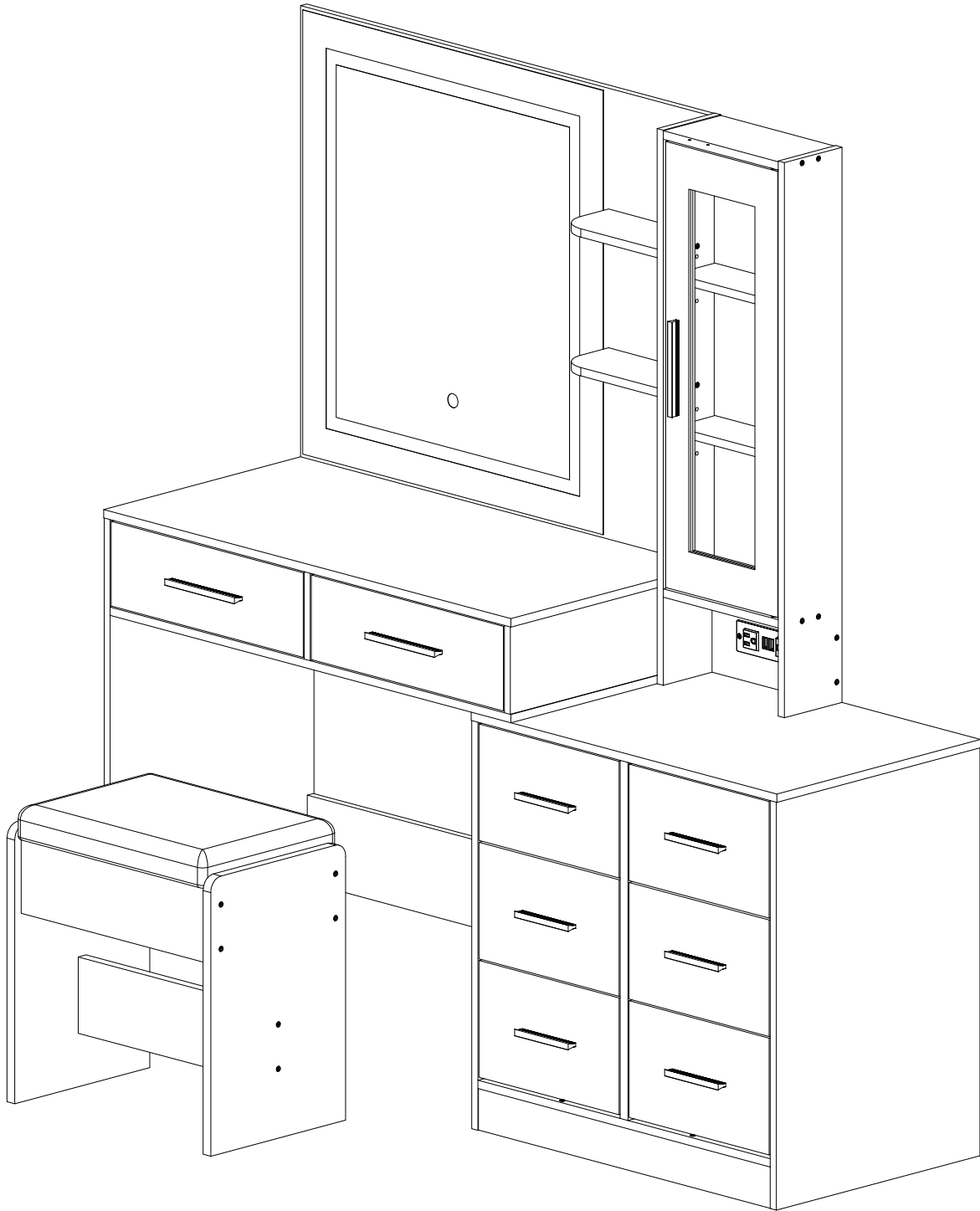


Instruction Manual

Thanks a lot for your purchasing!

Assembly Instruction

Decorate your home, Brighten wonderful life



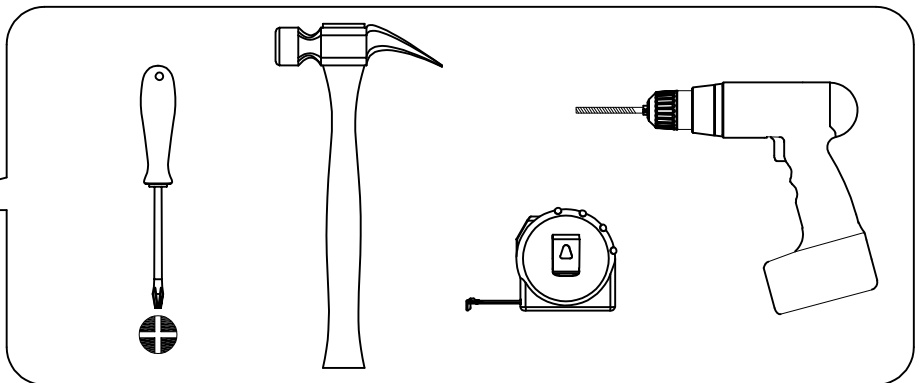
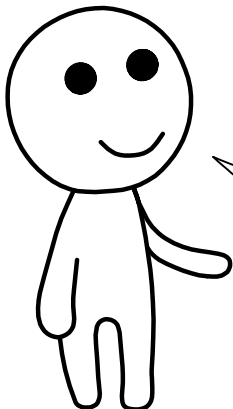
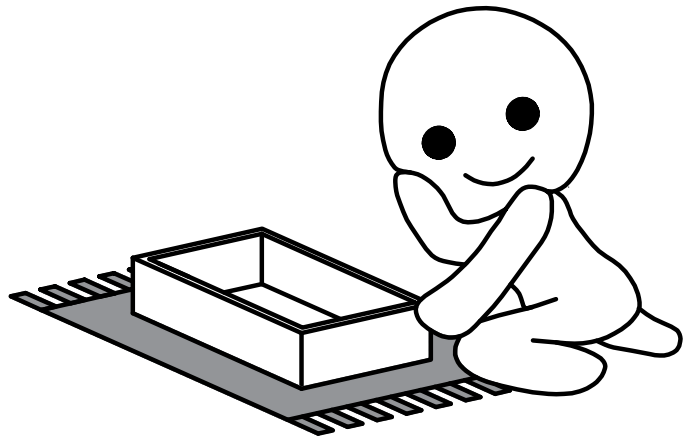
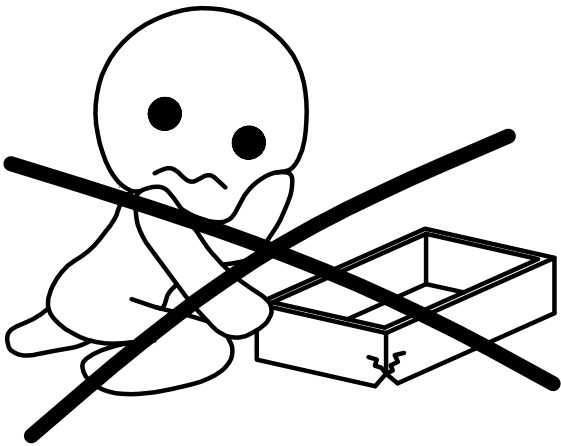
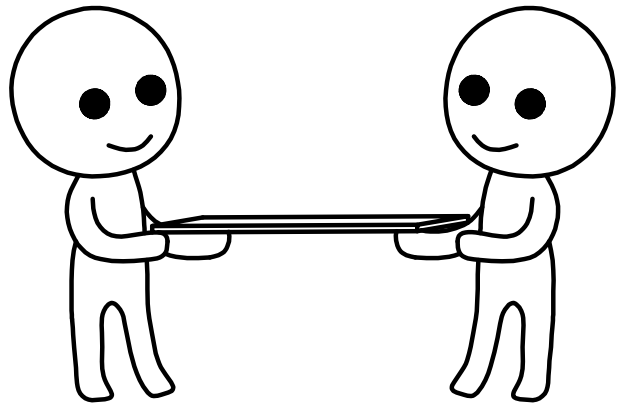
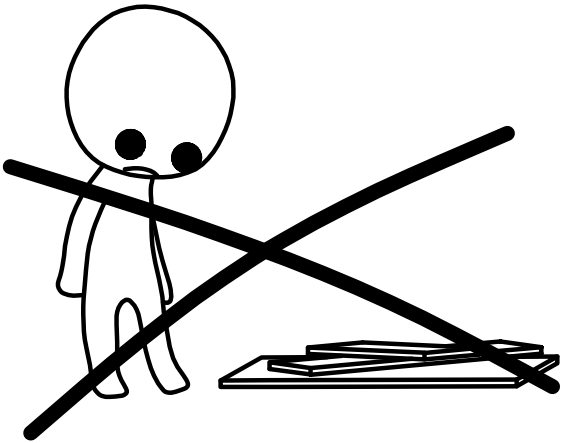
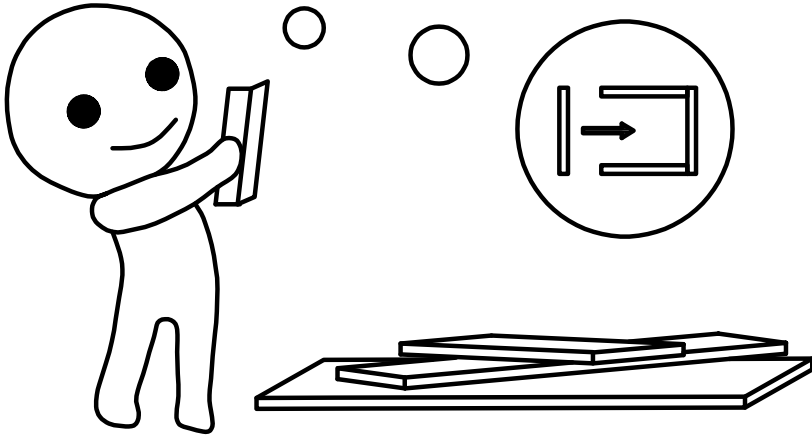
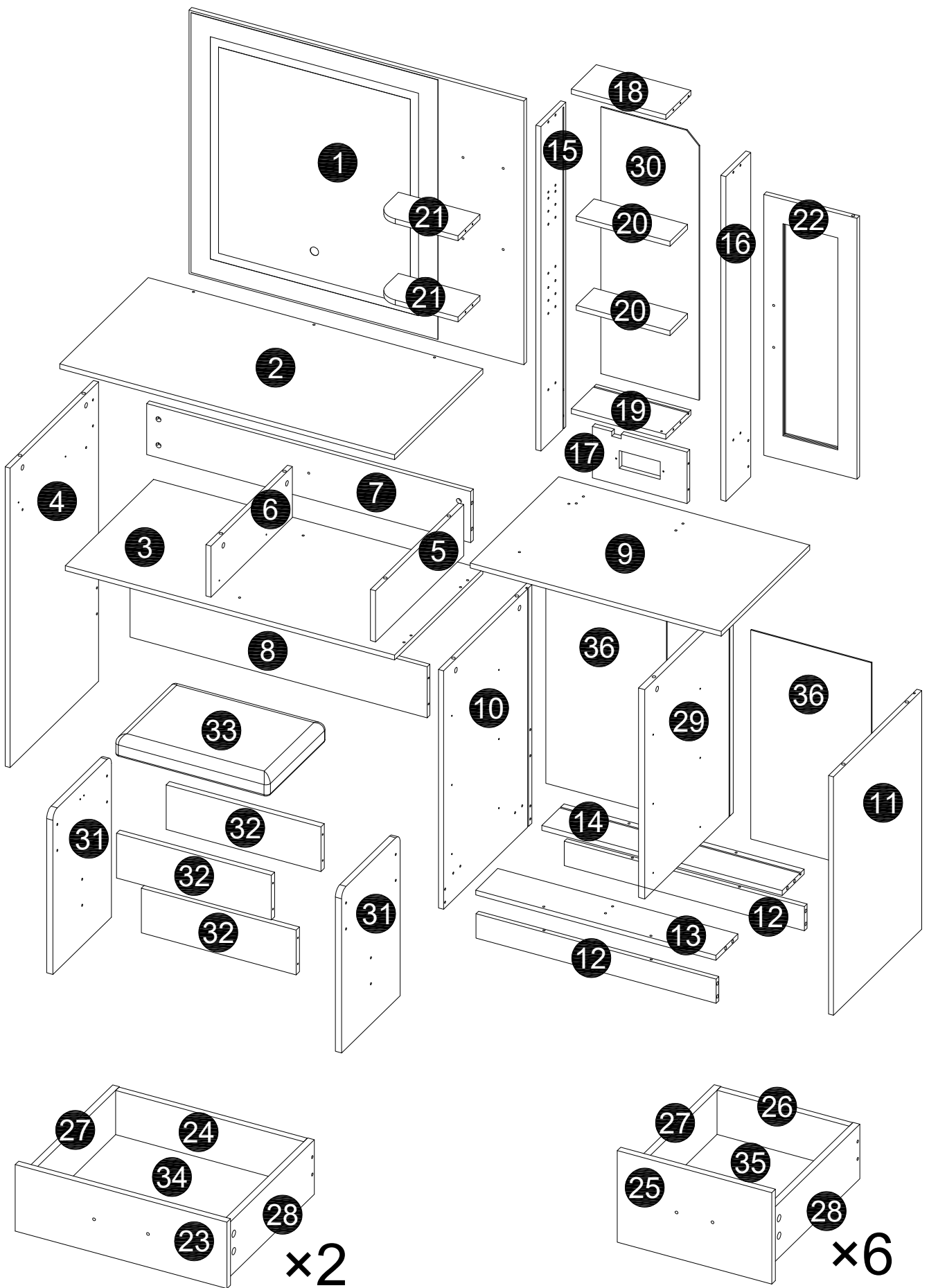
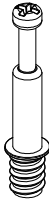

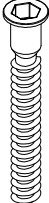
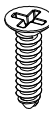
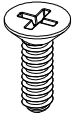

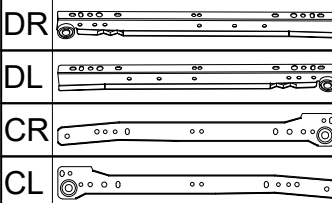
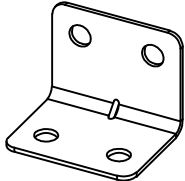


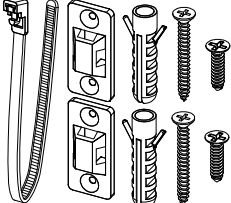
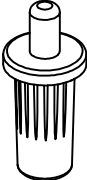
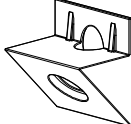
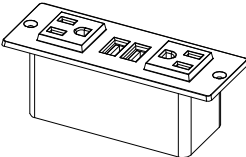
PLATE NUMBER

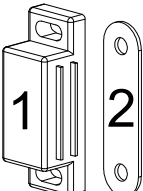
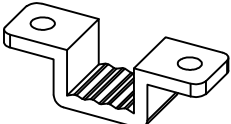
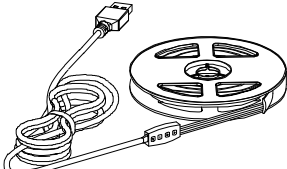
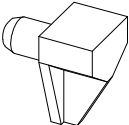


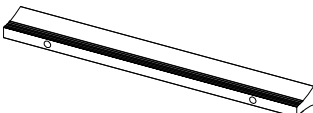
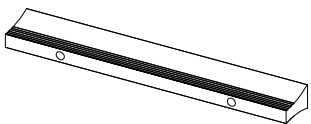
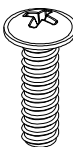
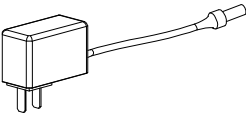
ACCESSORIES LIST

<p>A ×64</p> 	<p>B ×64</p> 	<p>C ×92</p> 	<p>D ×70</p> 
<p>M6×35</p>	<p>12×10</p>	<p>M5×40</p>	<p>M3×12</p>

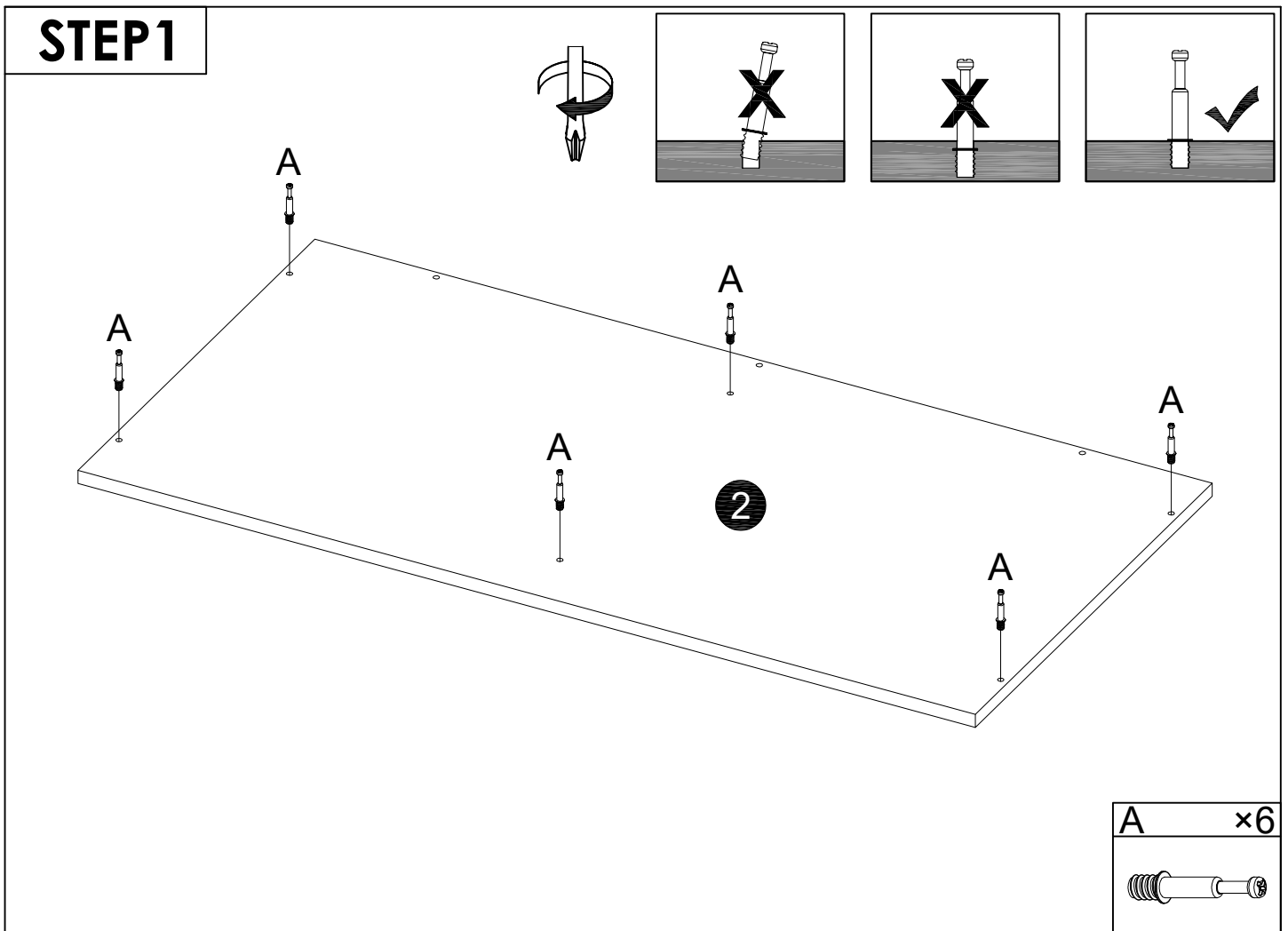
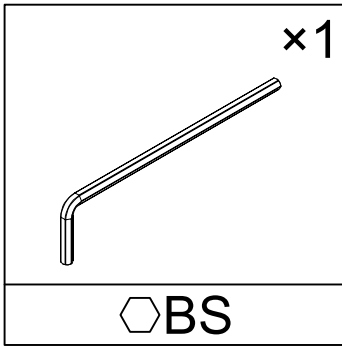
<p>E ×4</p> 	<p>F ×16</p> 	<p>G ×8</p> 	<p>H ×2</p> 
<p>M3.5×12</p>	<p>M3.5×14</p>	<p>HG-30</p>	<p>L-JM-17</p>

<p>J ×1</p> 	<p>K ×2</p> 	<p>L ×8</p> 	<p>M ×1</p> 
<p>FDQ</p>	<p>THGBD</p>	<p>BBK</p>	<p>CZ</p>

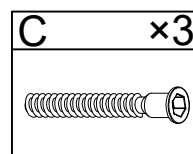
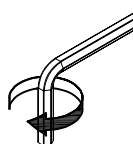
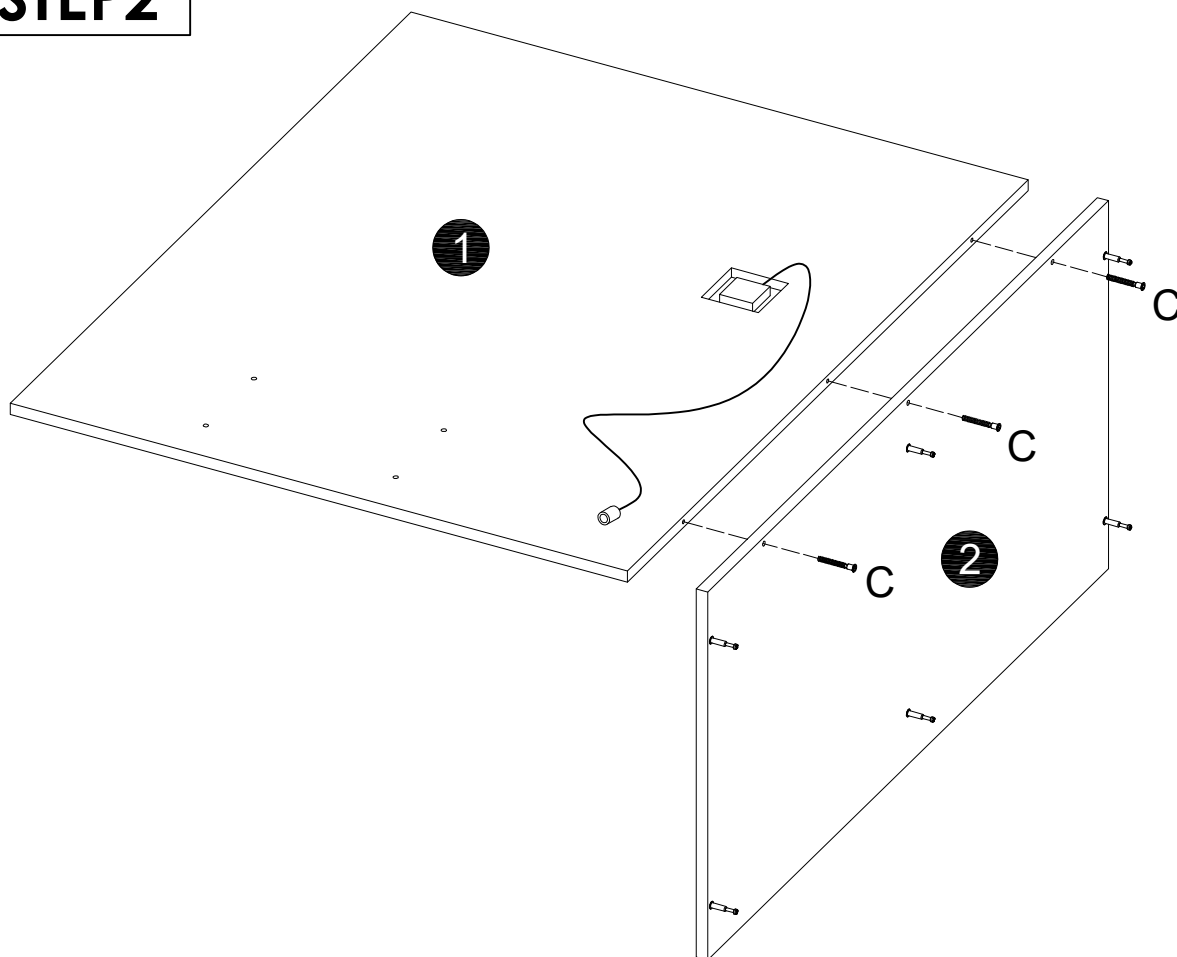
<p>N ×1</p> 	<p>P ×2</p> 	<p>Q ×1</p> 	<p>R ×8</p> 
<p>MGX</p>	<p>DDK</p>	<p>DD</p>	<p>CBT</p>

<p>S ×3</p> 	<p>T ×6</p> 	<p>U ×18</p> 	<p>×1</p> 
<p>SKLS-T96</p>	<p>SKLS-T64</p>	<p>M4×14</p>	<p>DY</p>

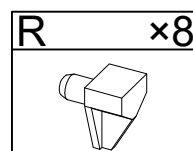
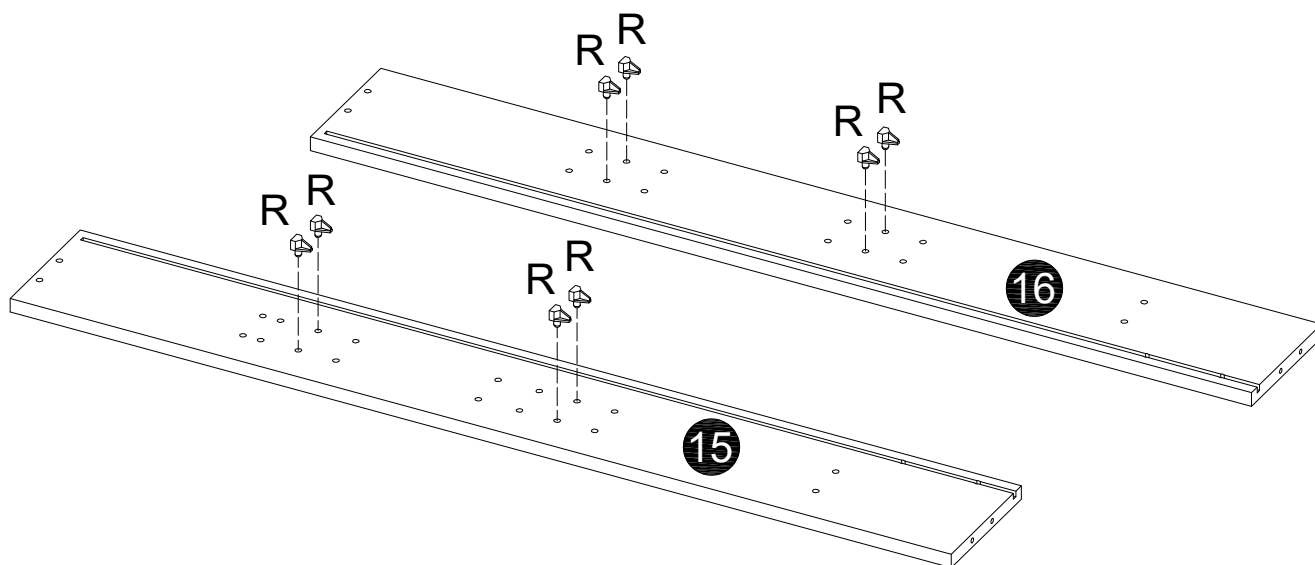
ACCESSORIES LIST



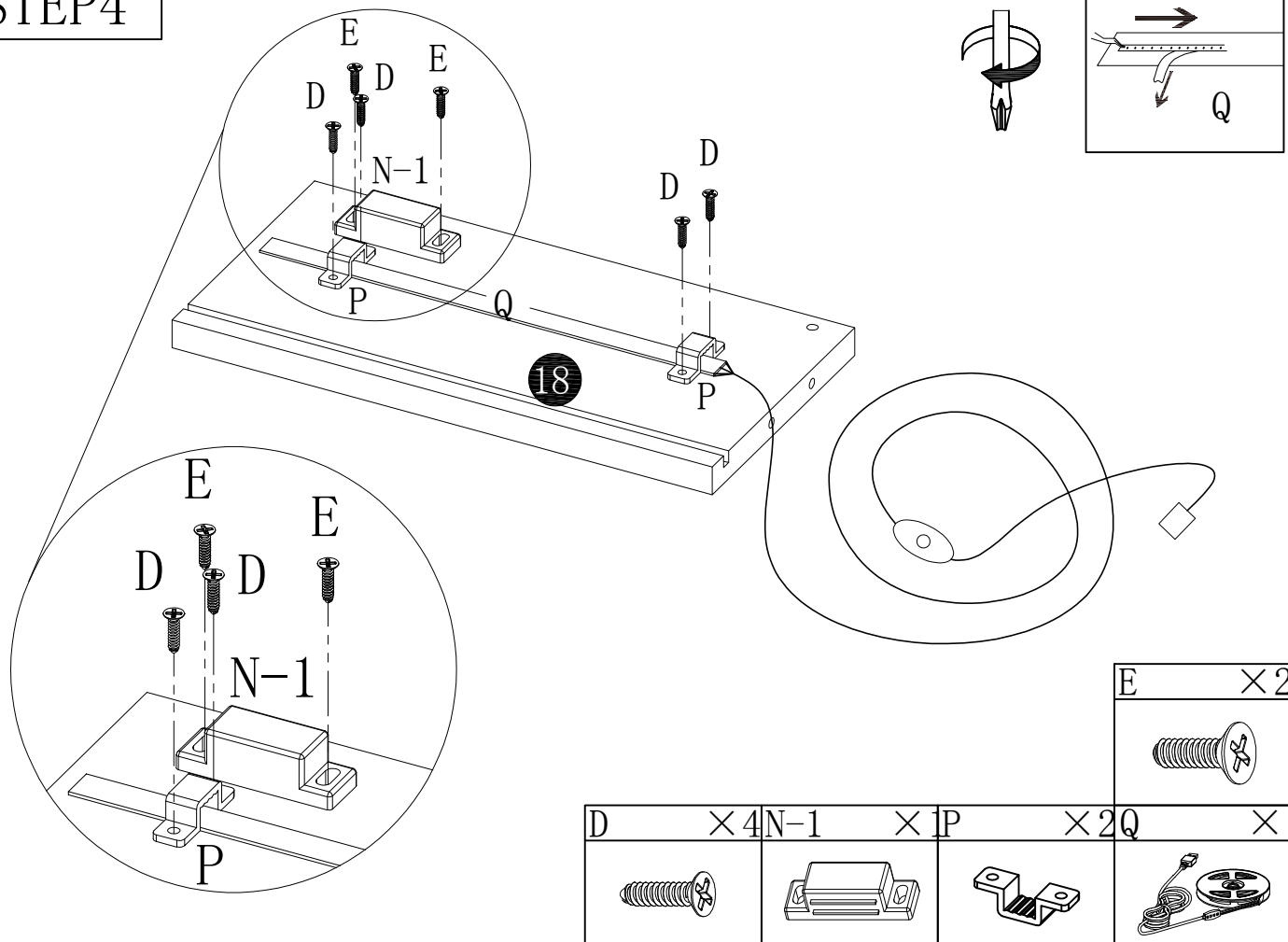
STEP 2



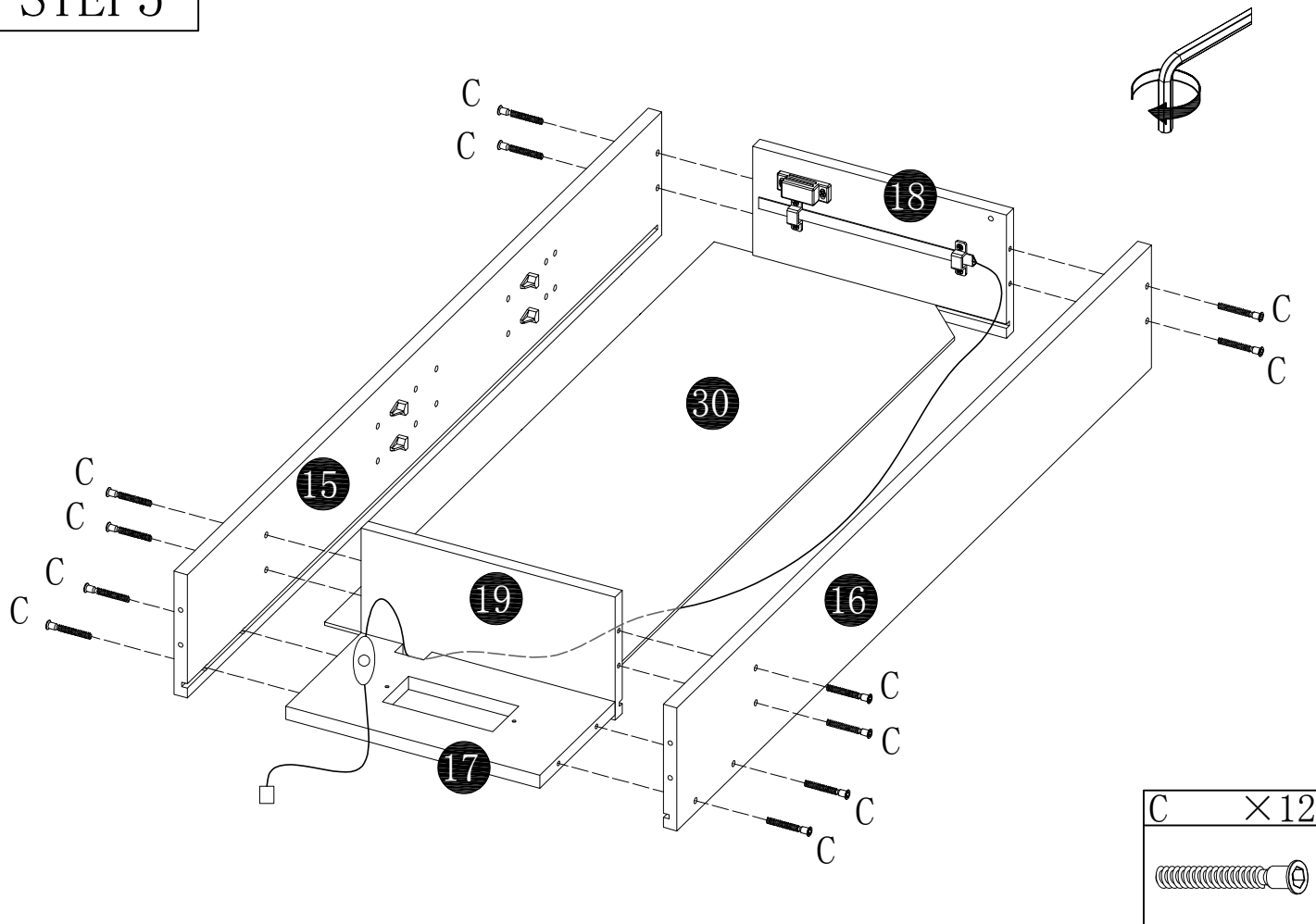
STEP 3



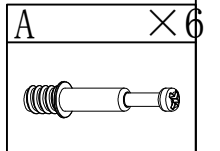
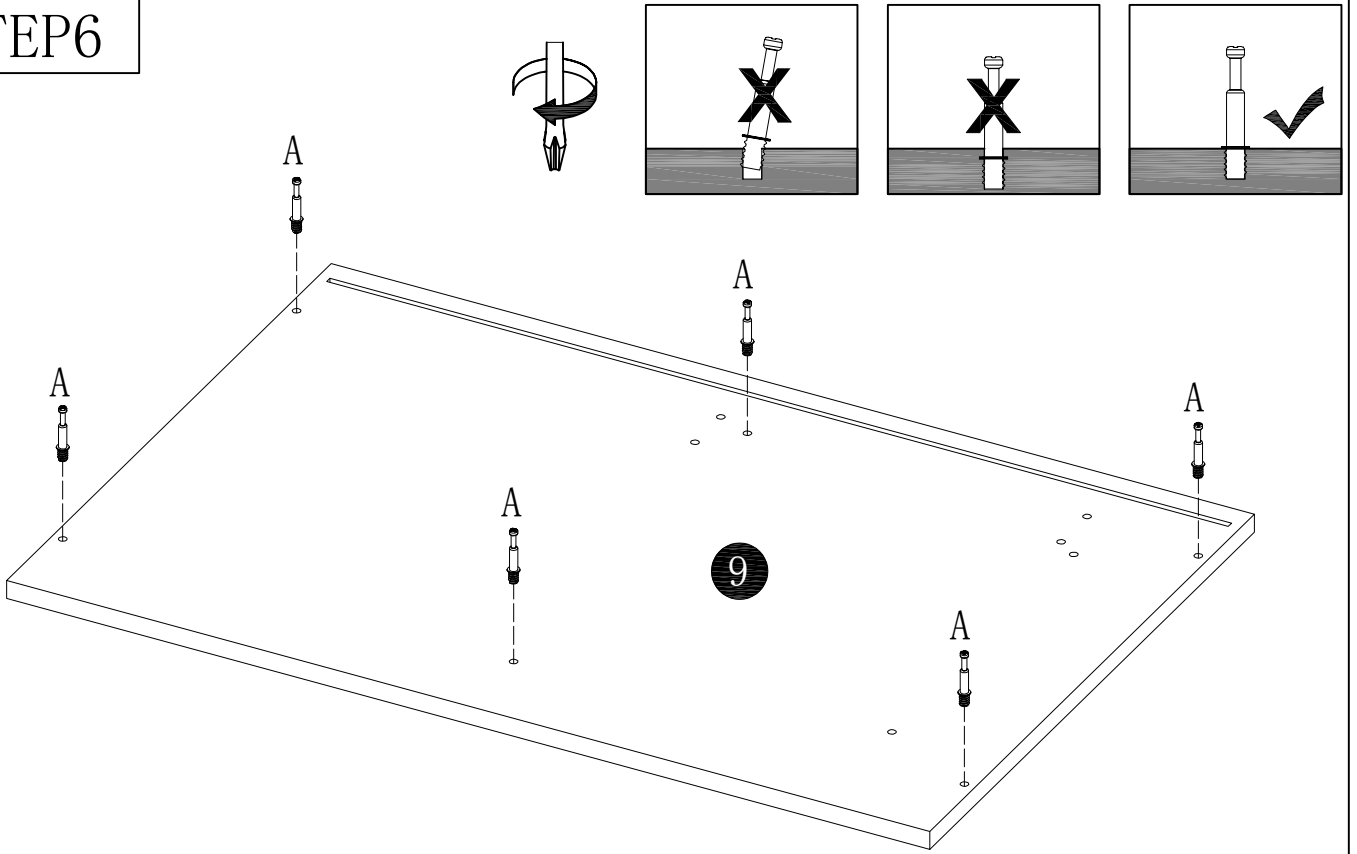
STEP4



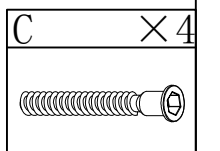
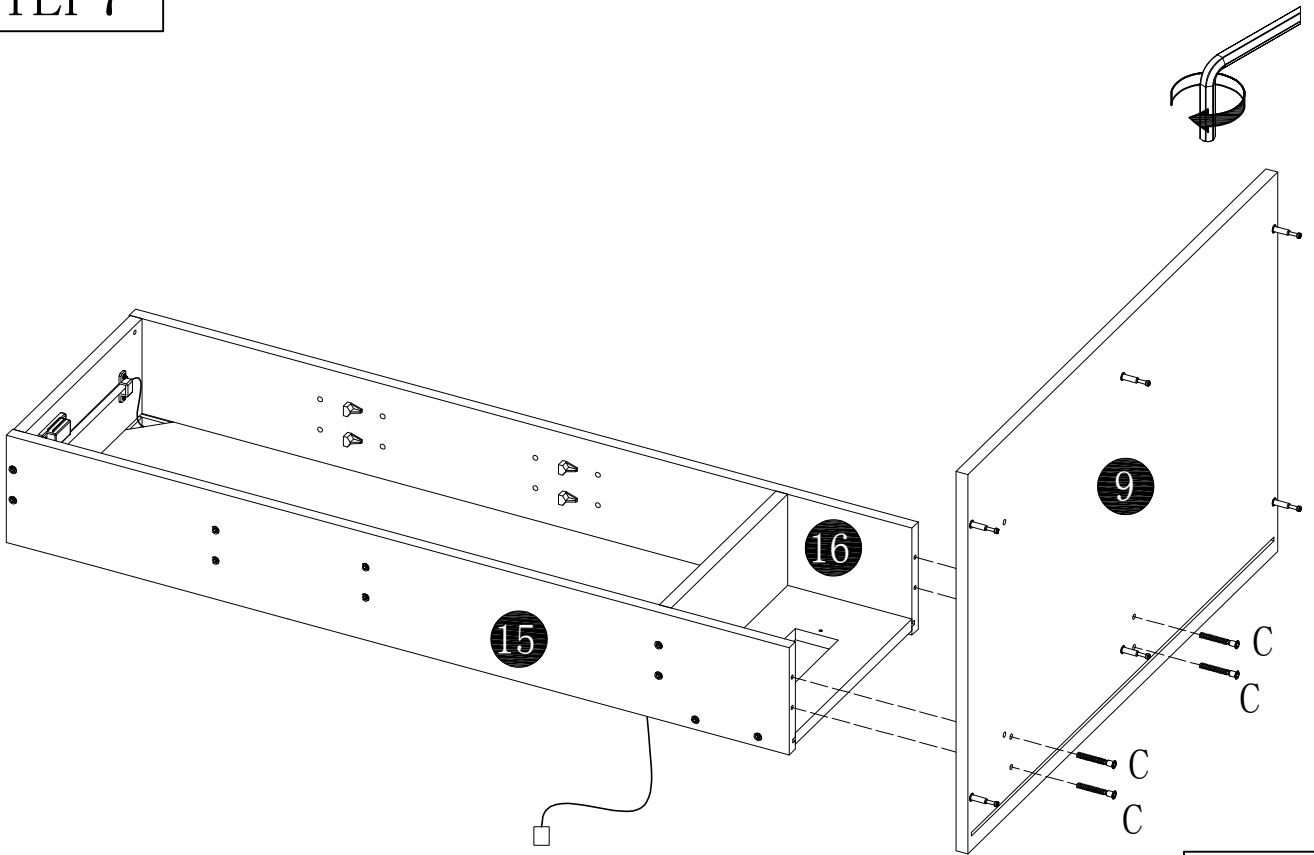
STEP5



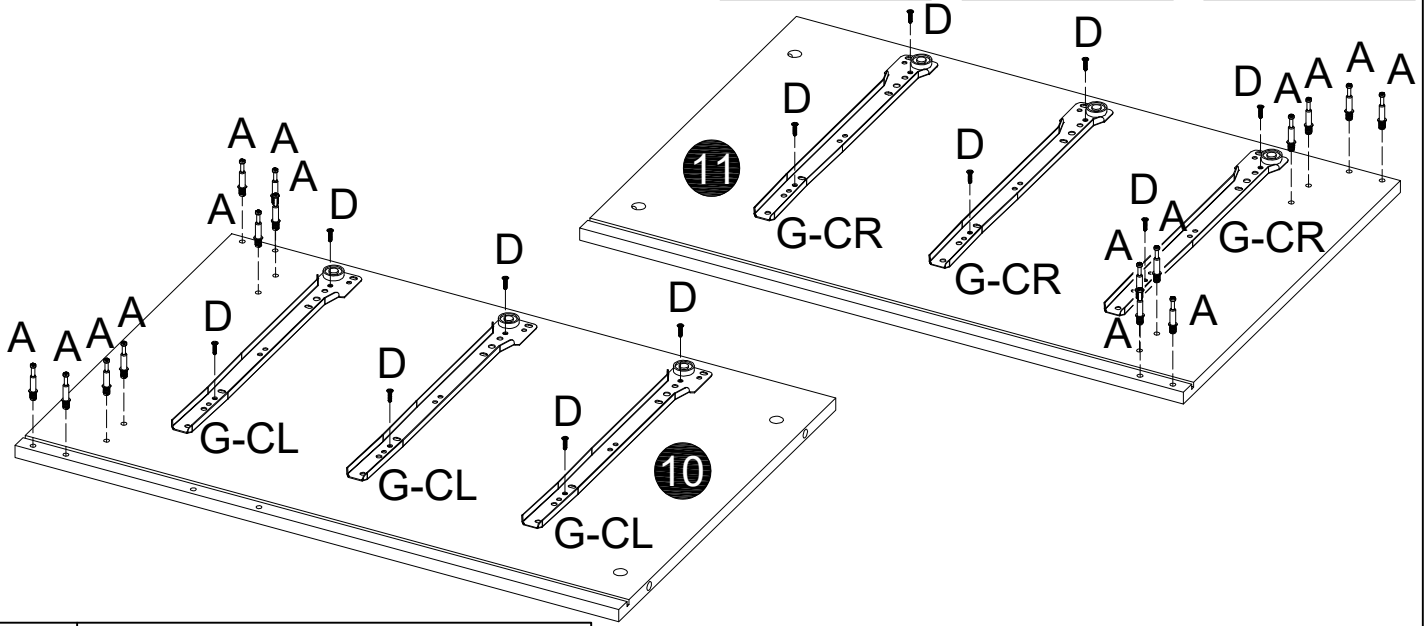
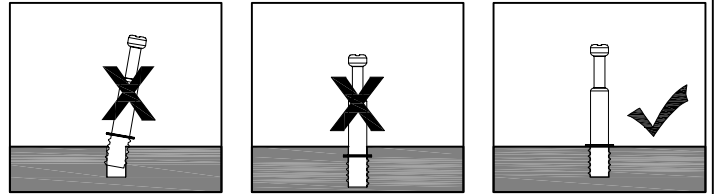
STEP 6



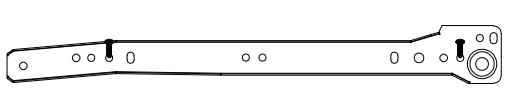
STEP 7



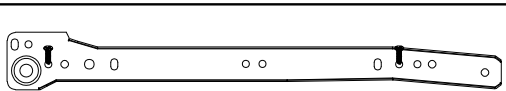
STEP 8



CR

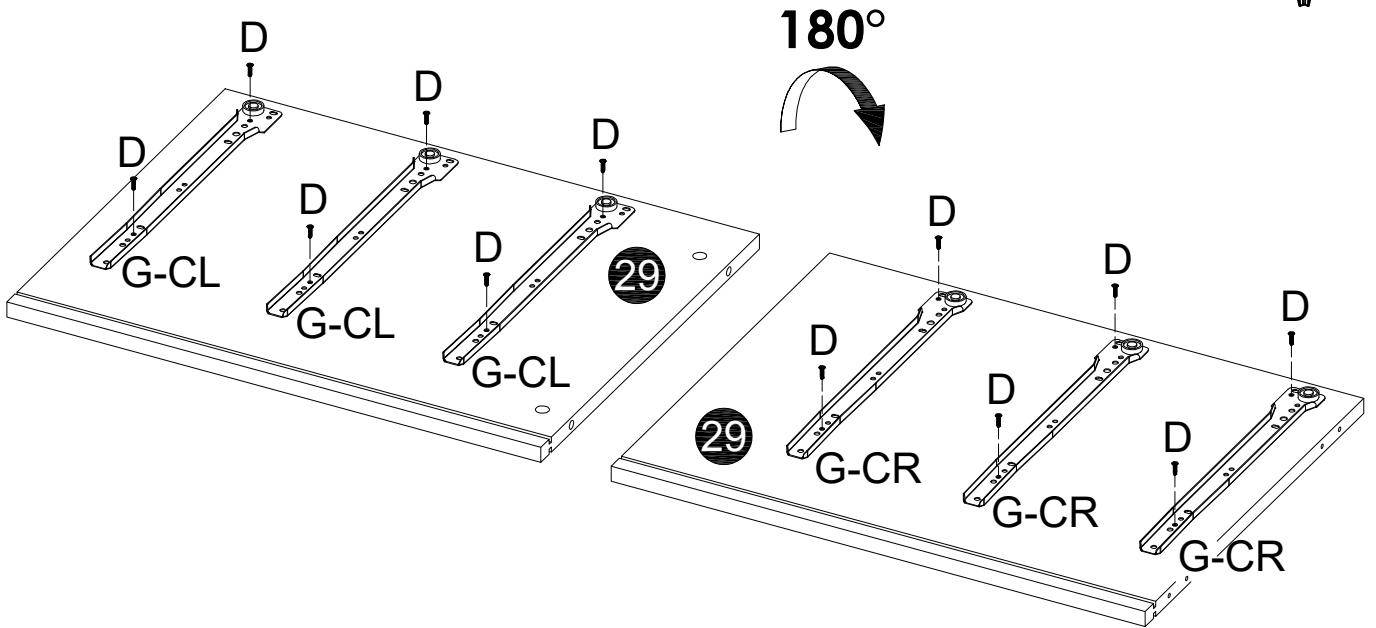


CL

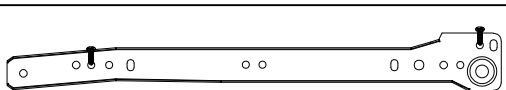


A	x16	D	x12	G	x3
				CL	CR

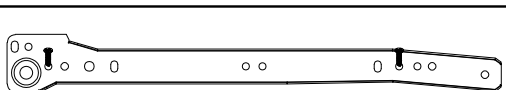
STEP 9



CR

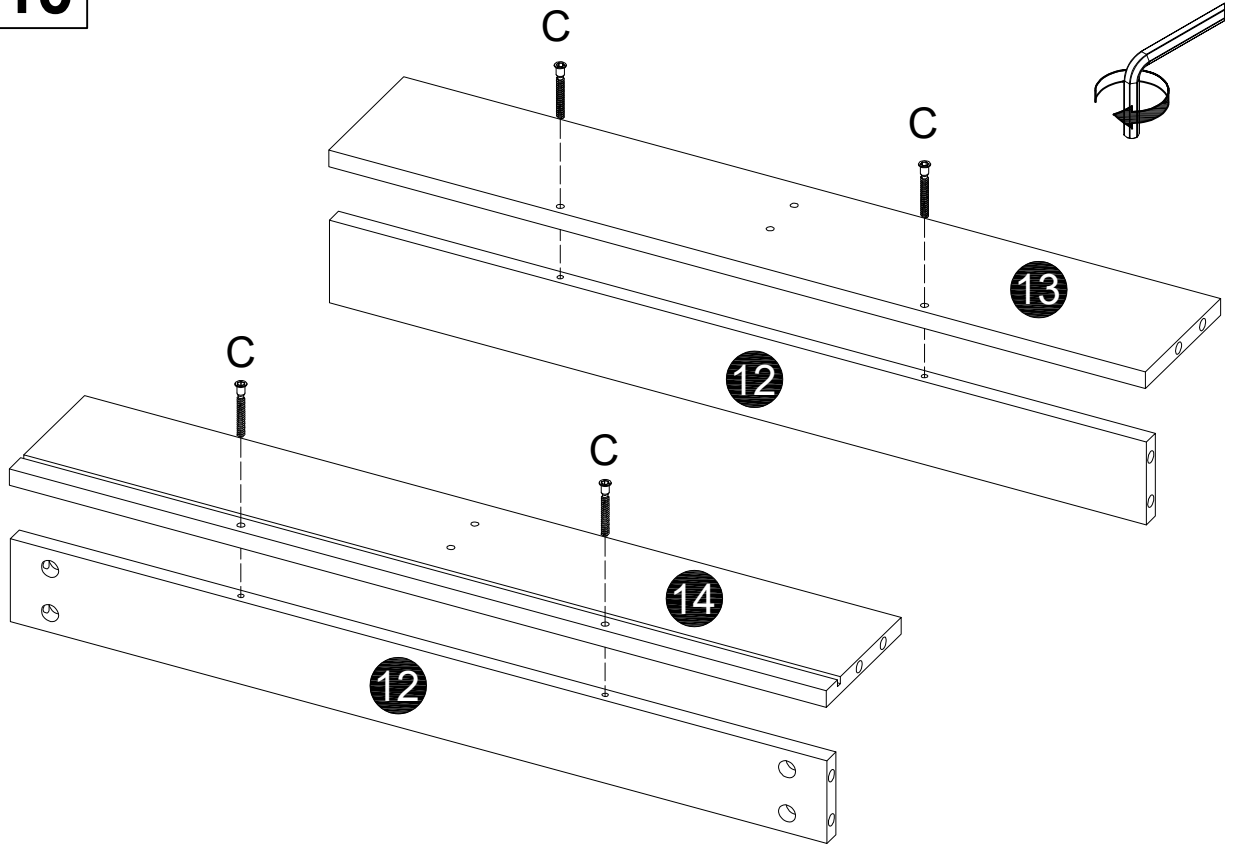


CL



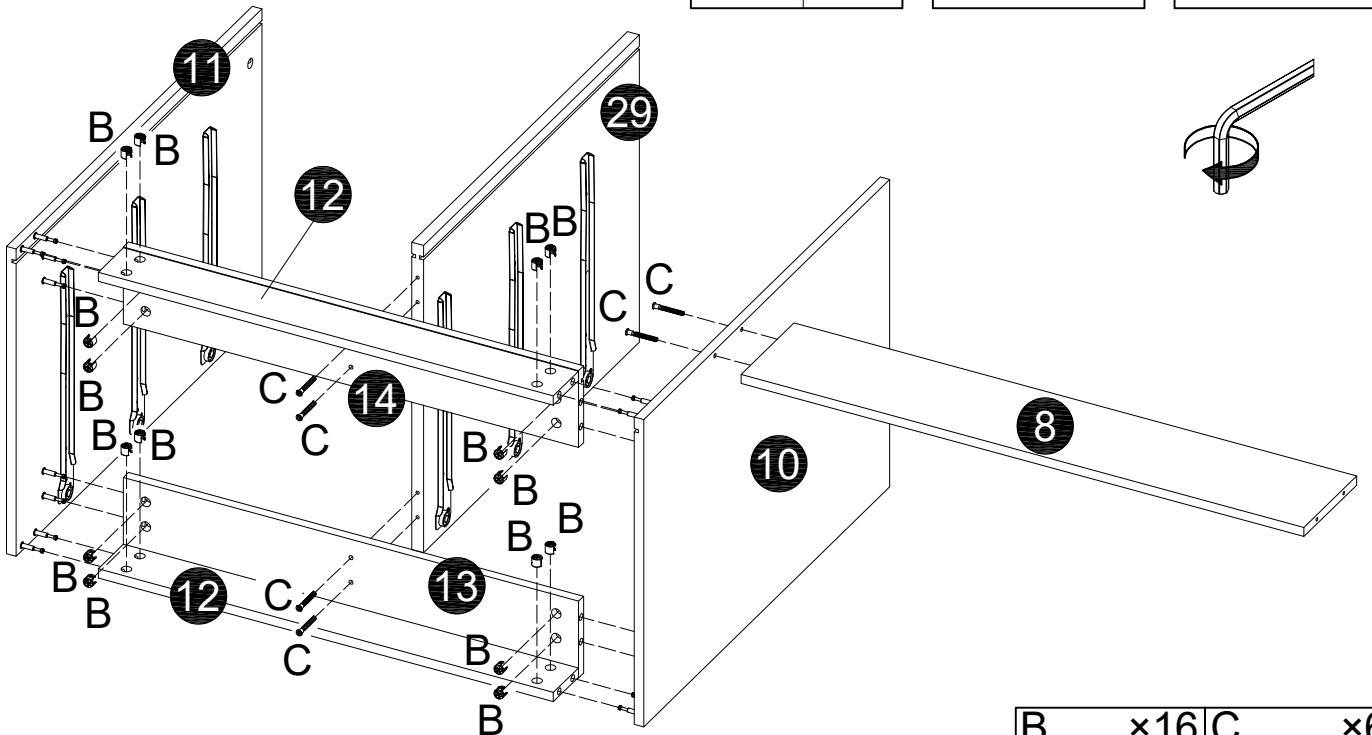
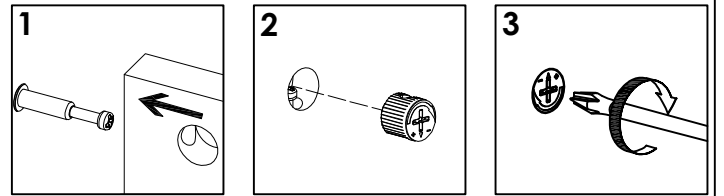
D	x12	G	x3
		CL	CR

STEP 10



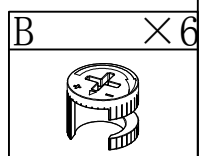
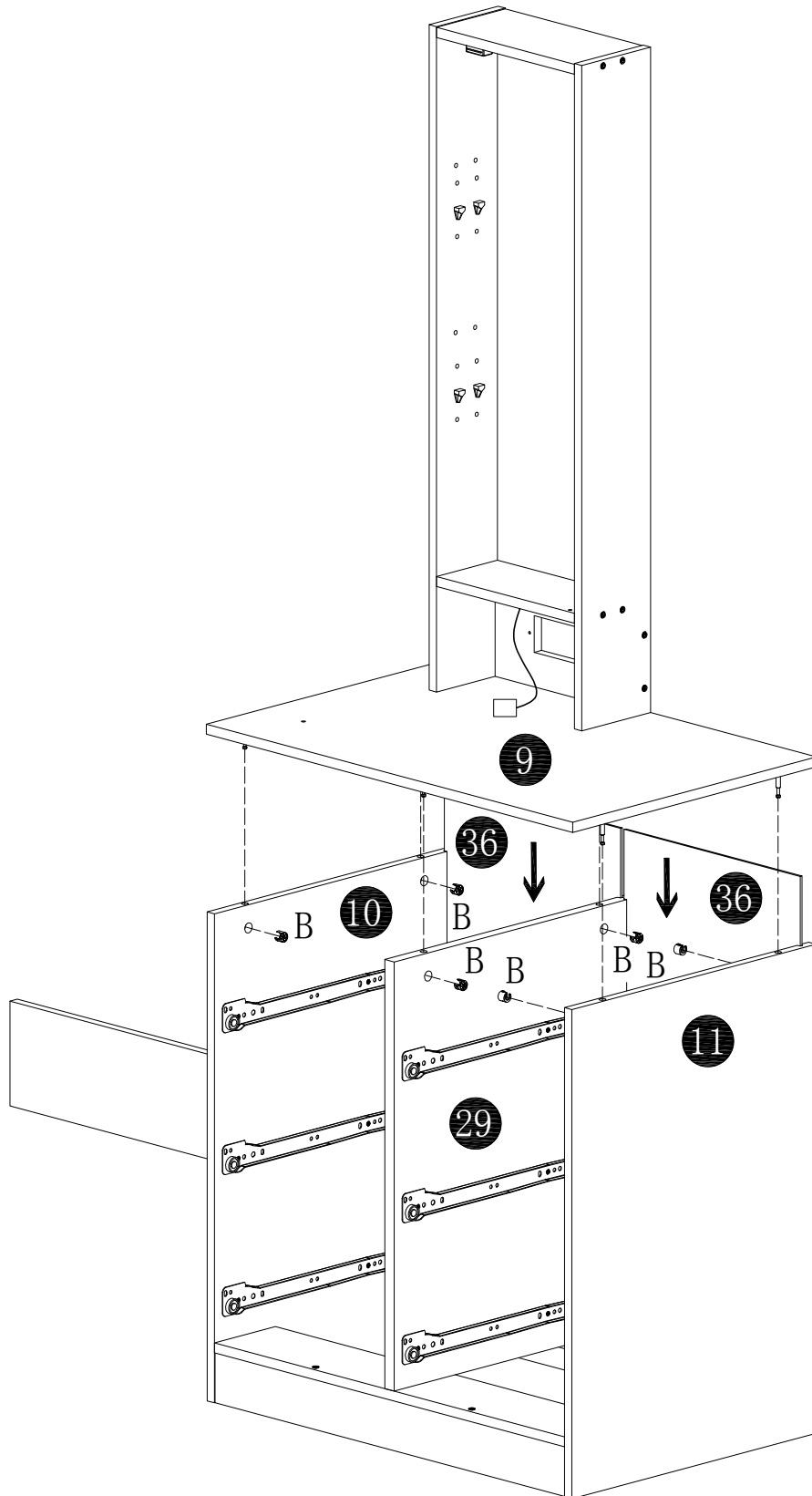
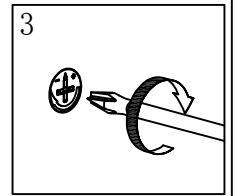
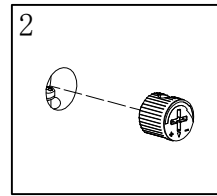
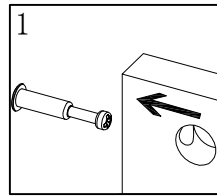
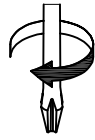
C	x4

STEP 11

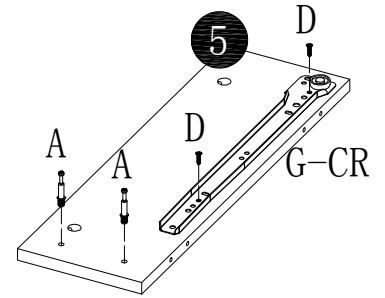
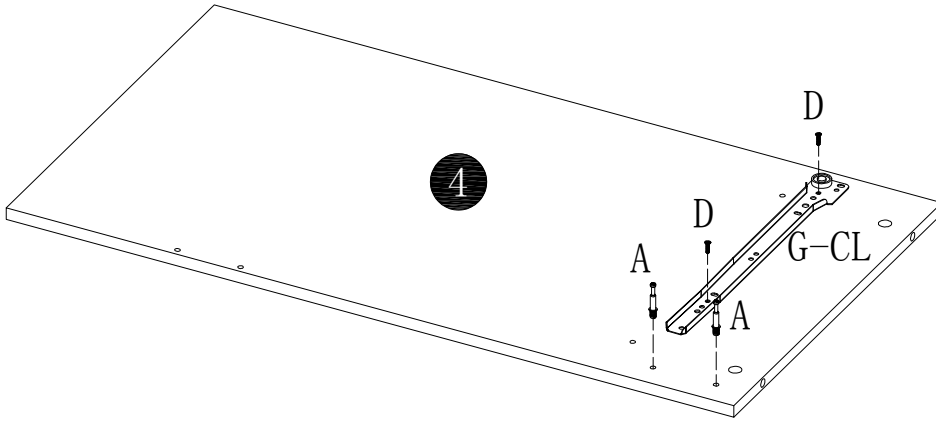
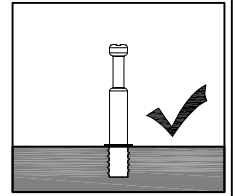
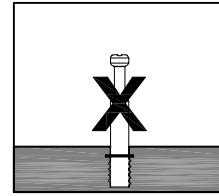
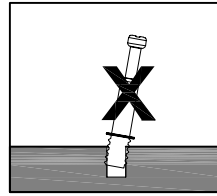
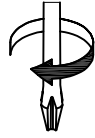


B	x16	C	x6

STEP 12



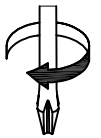
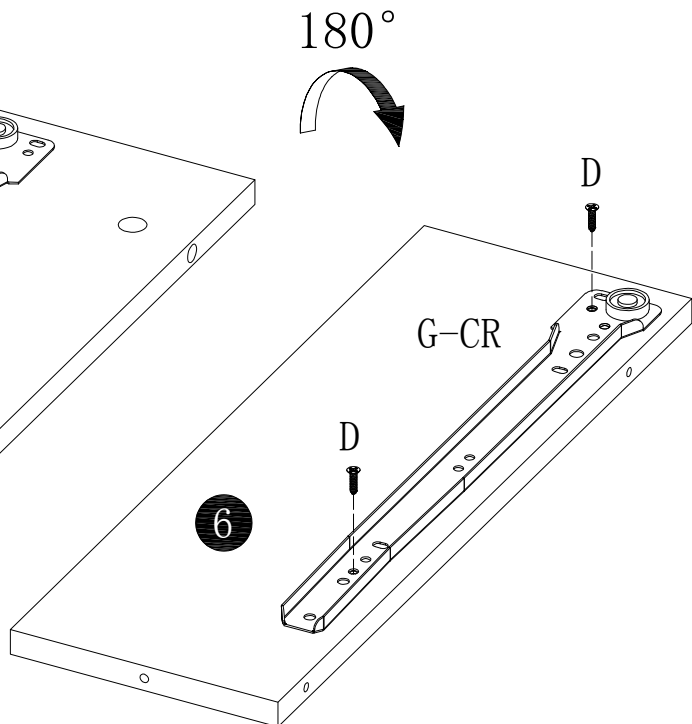
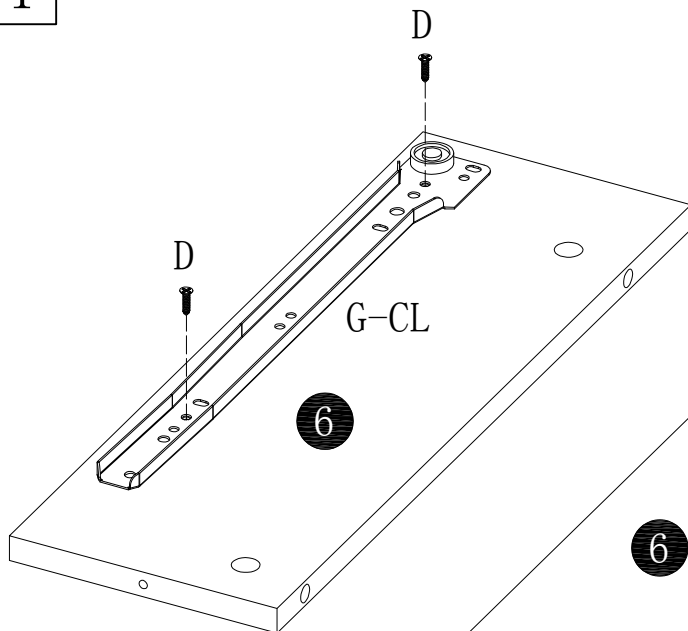
STEP13



CR	
CL	

A	× 4	D	× 4	G	× 1
				CL	CR

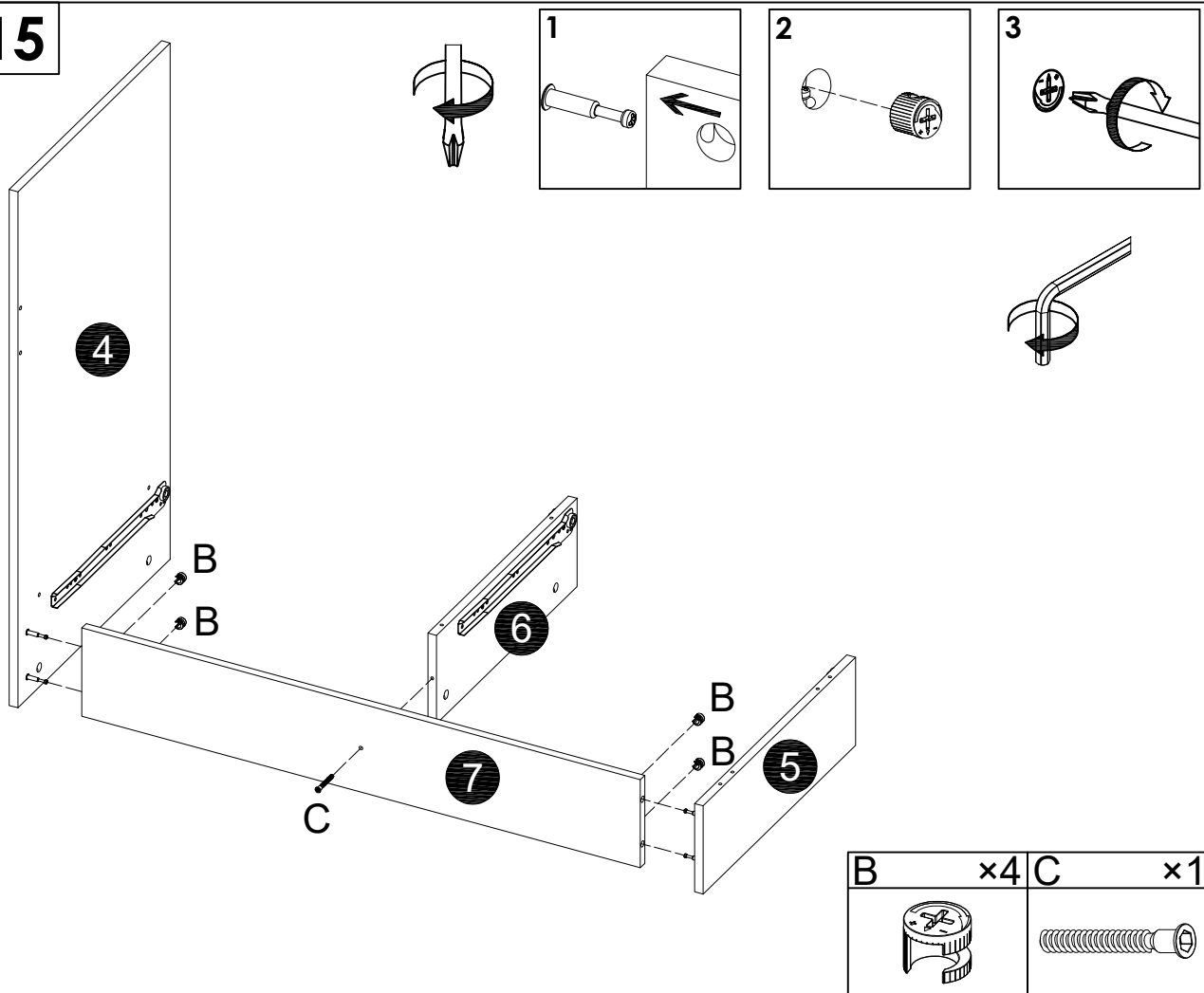
STEP14



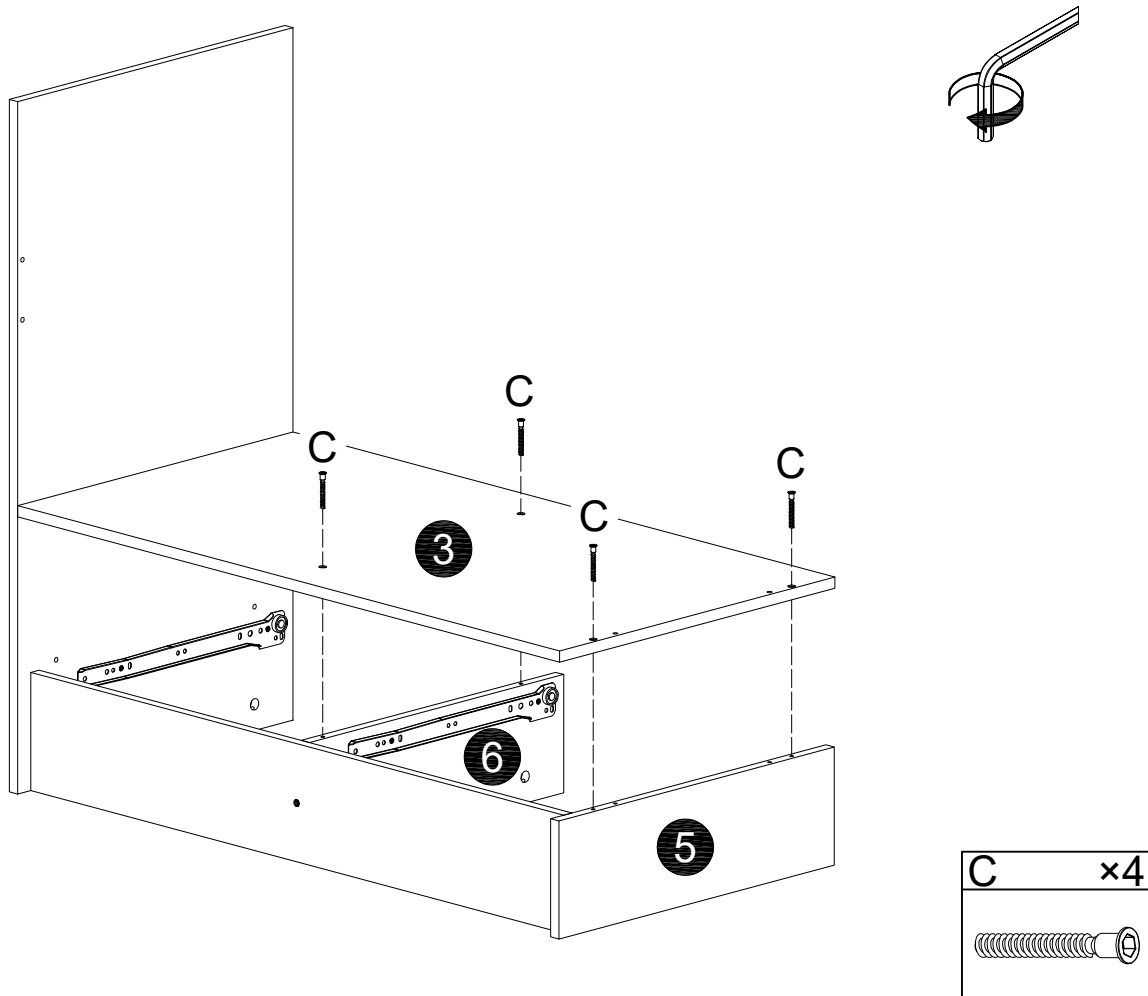
CR	
CL	

D	× 4	G	× 1
		CL	CR

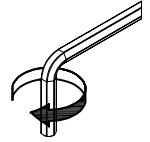
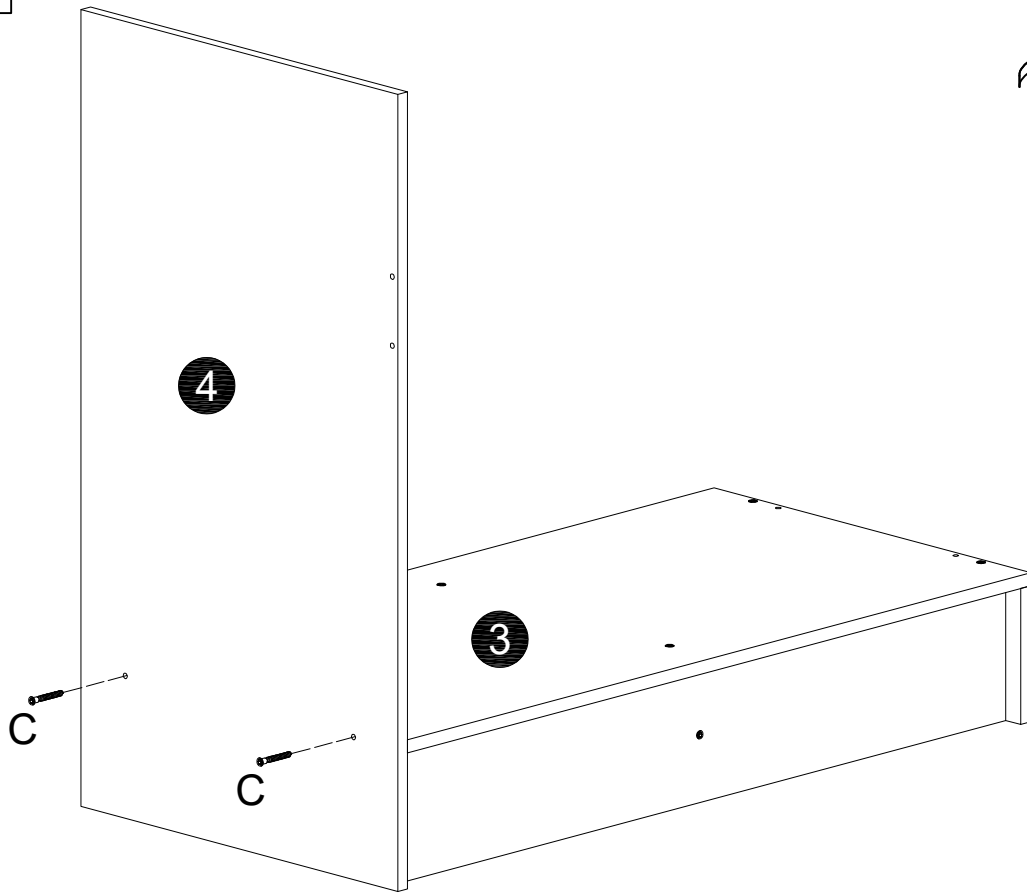
STEP 15



STEP 16

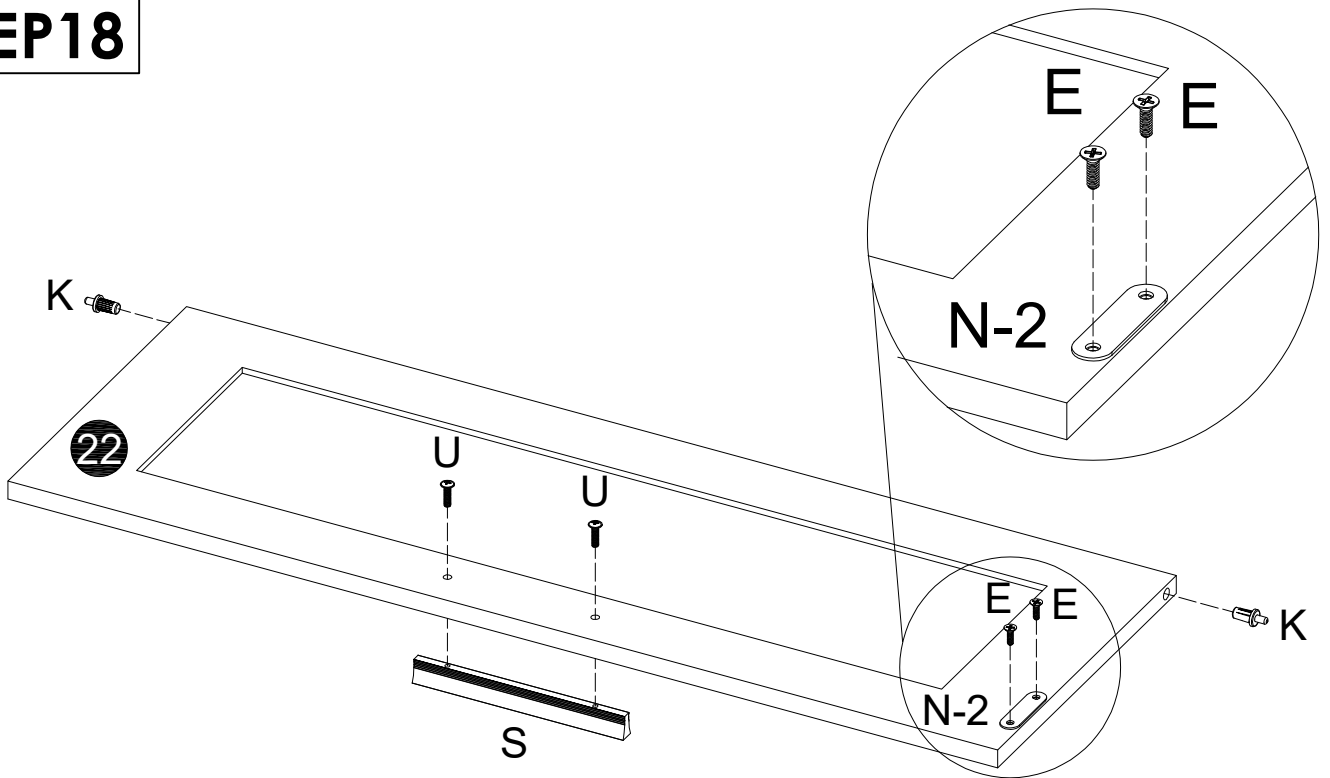


STEP 17



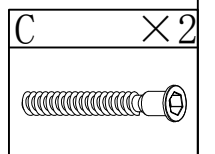
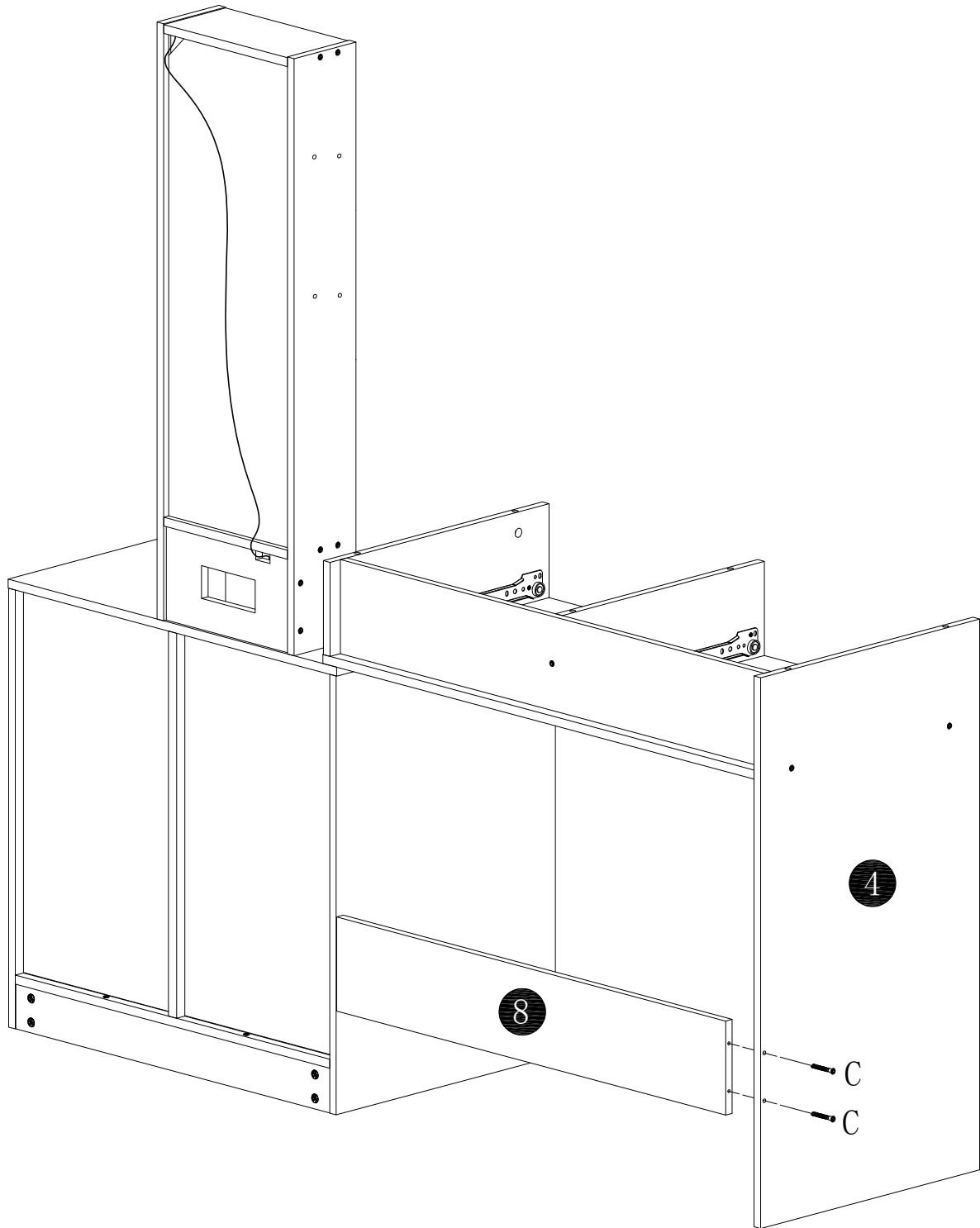
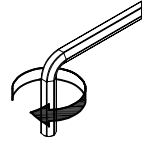
C	x2

STEP 18

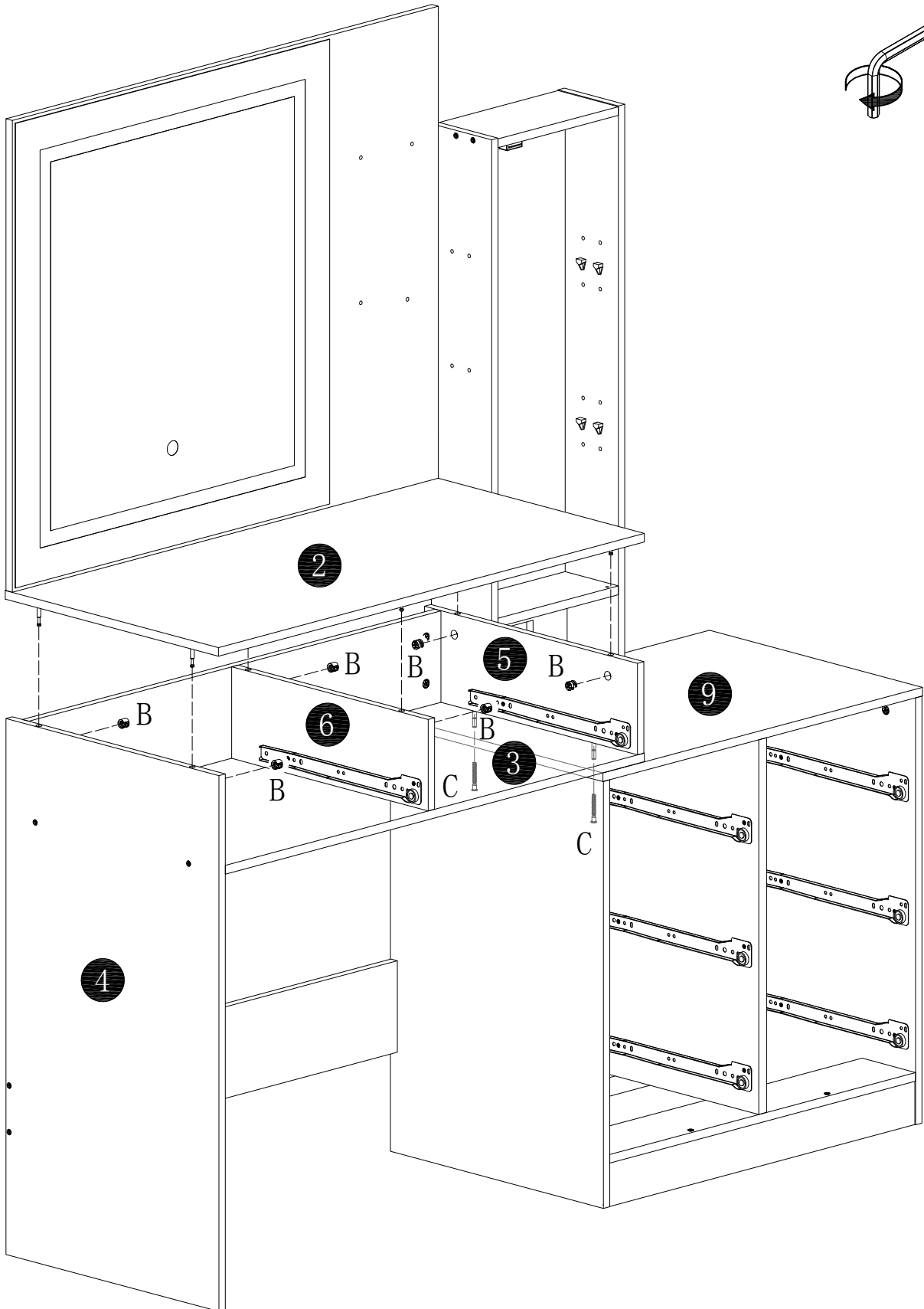
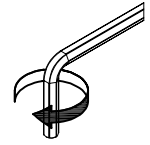
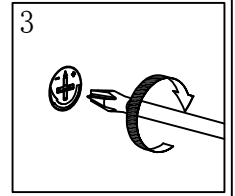
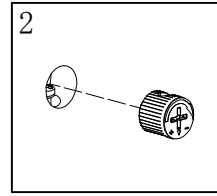
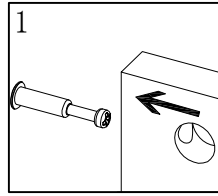


E	x2	K	x2	N-2	x1	S	x1	U	x2

STEP19

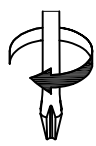
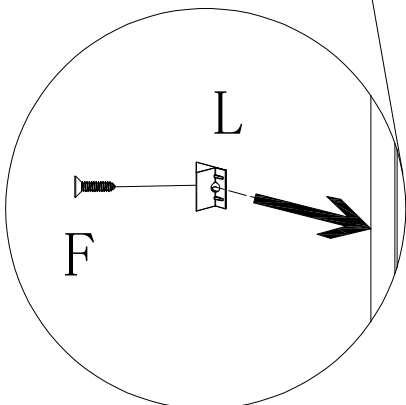
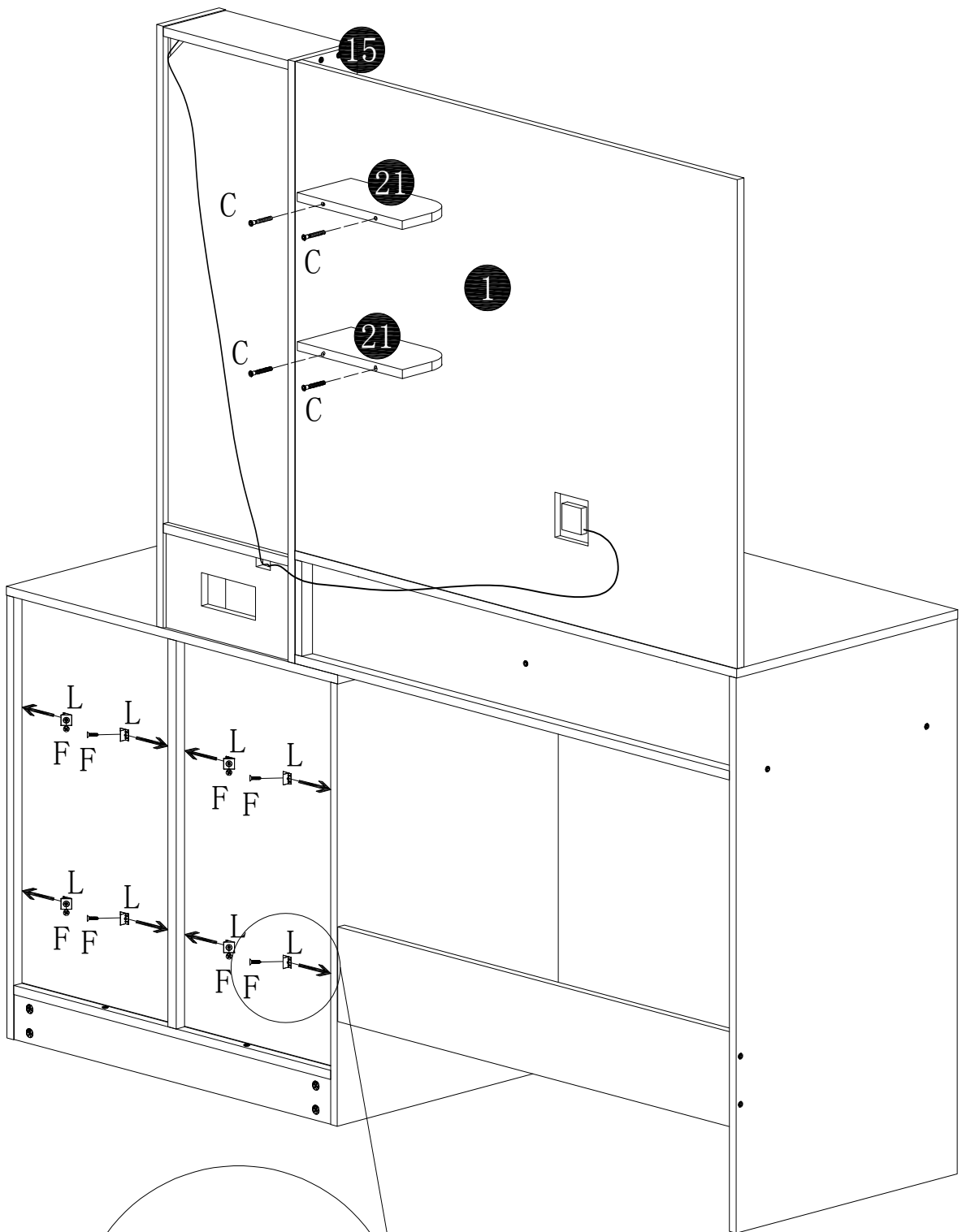
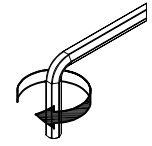


STEP 20



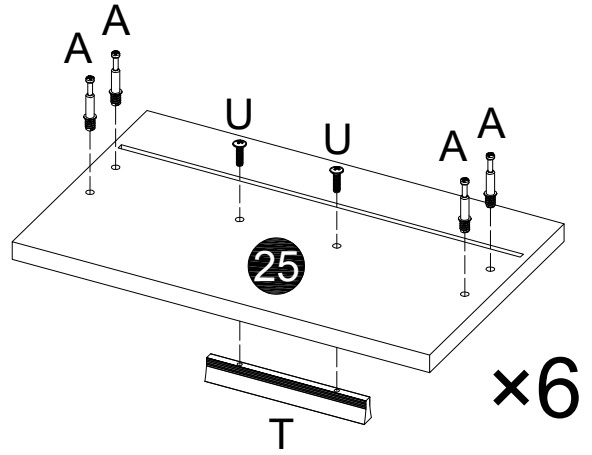
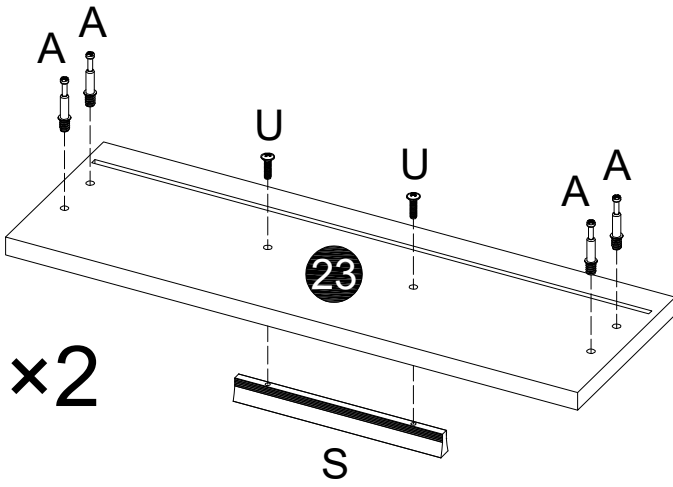
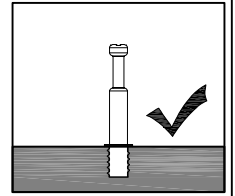
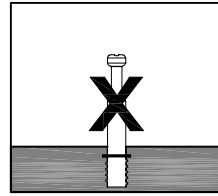
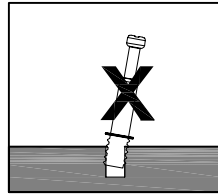
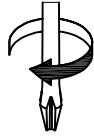
B	×6	C	×2

STEP21



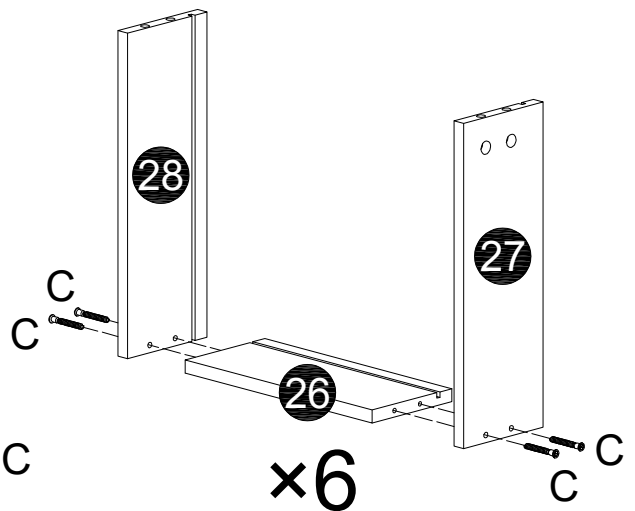
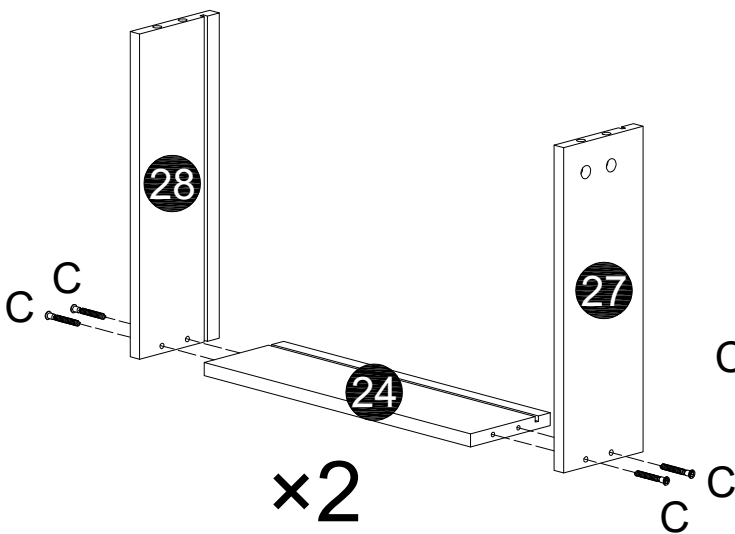
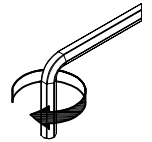
C	×8F	×8L	×8

STEP 22



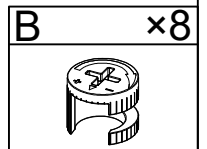
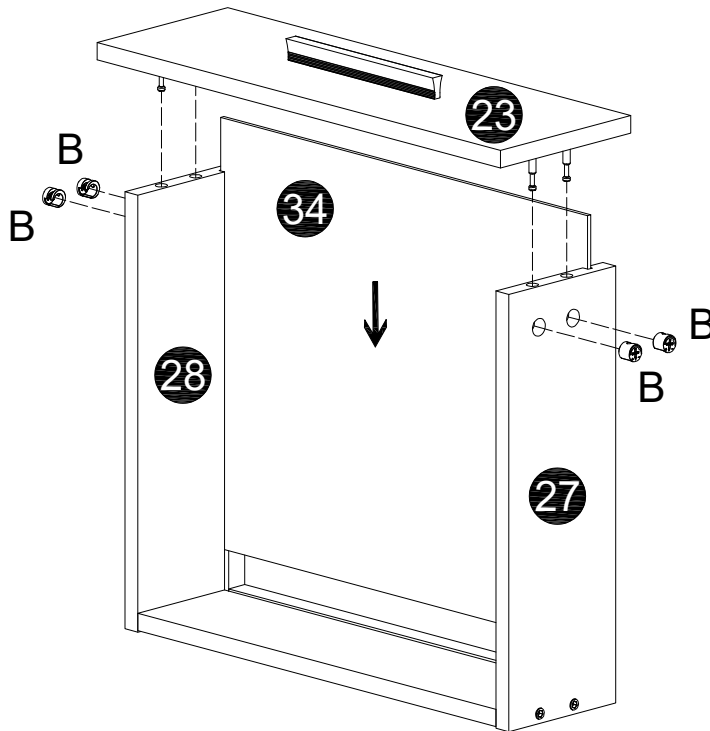
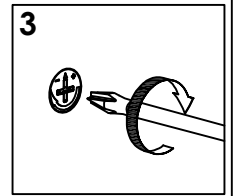
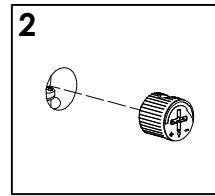
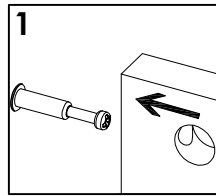
A	×32	S	×2	T	×6	U	×16

STEP 23

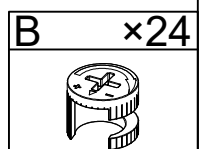
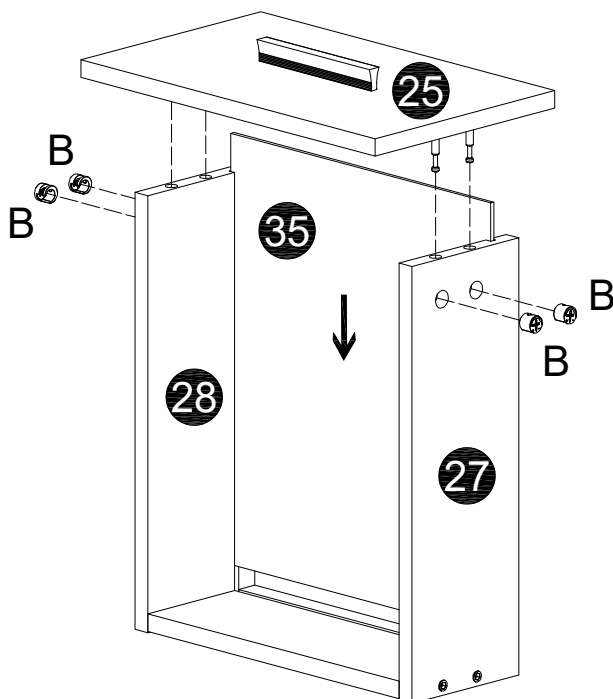
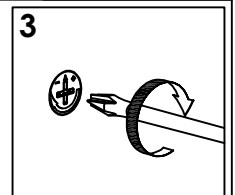
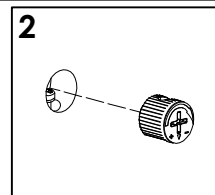
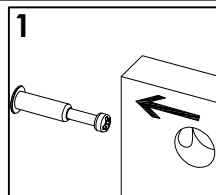


C	×32

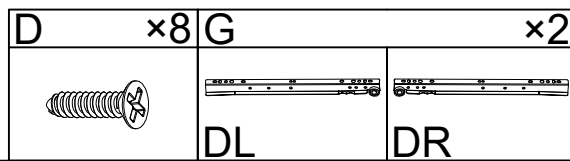
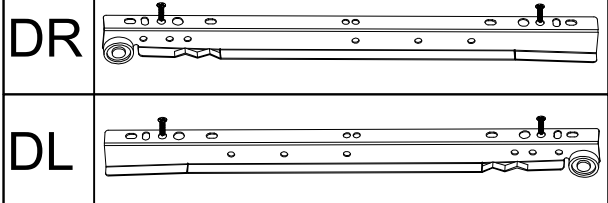
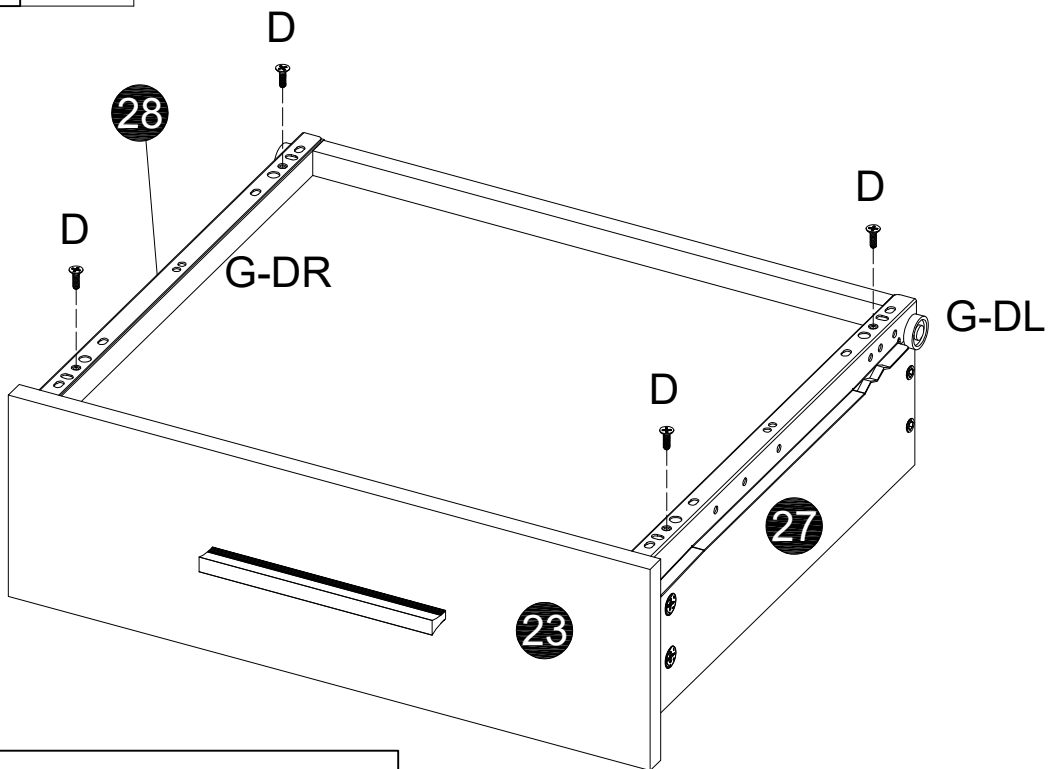
STEP24 ×2



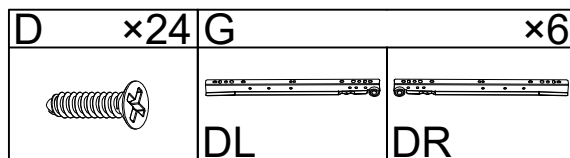
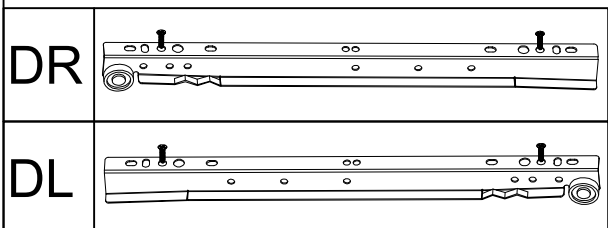
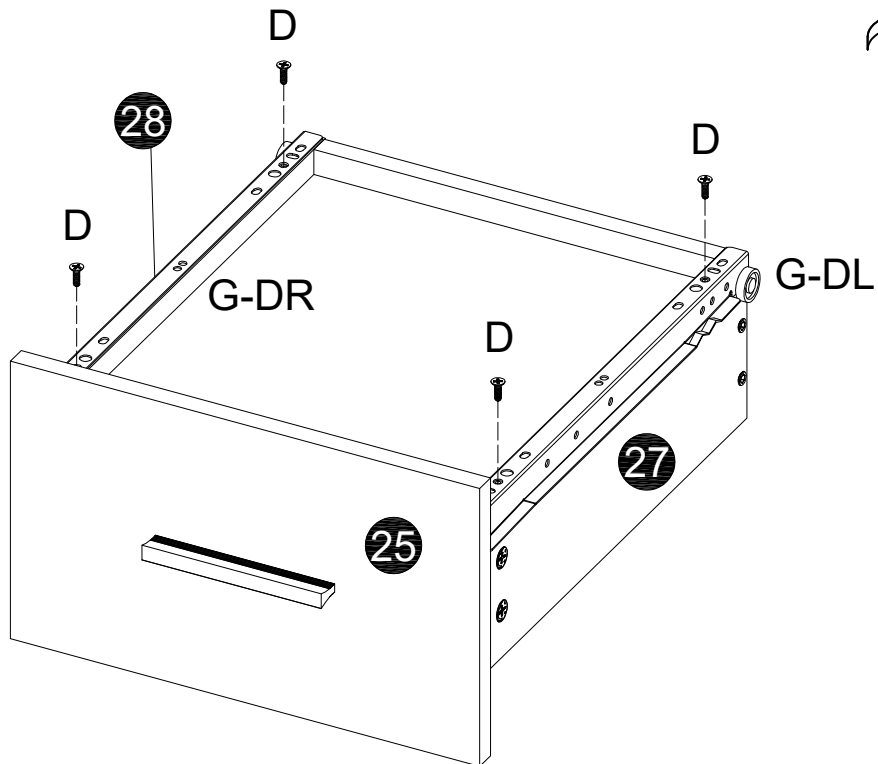
STEP25 ×6



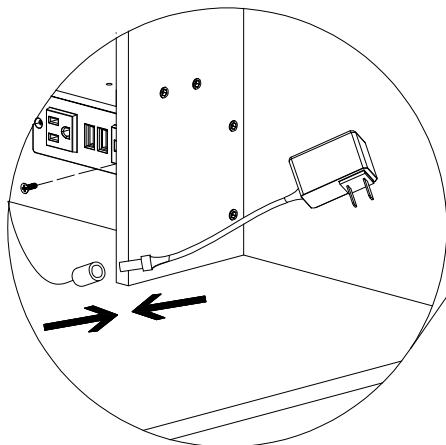
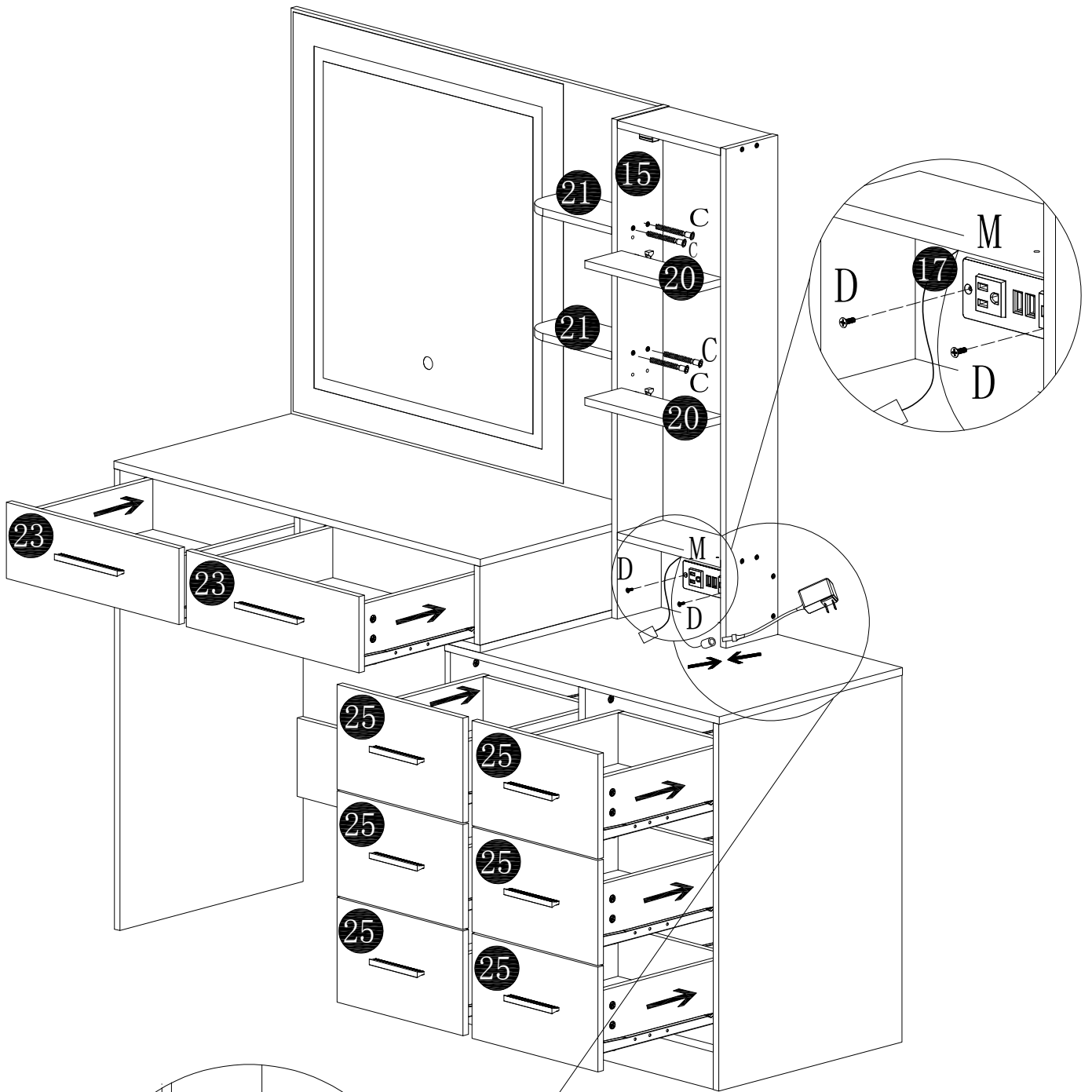
STEP 26 ×2



STEP 27 ×6

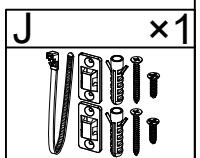
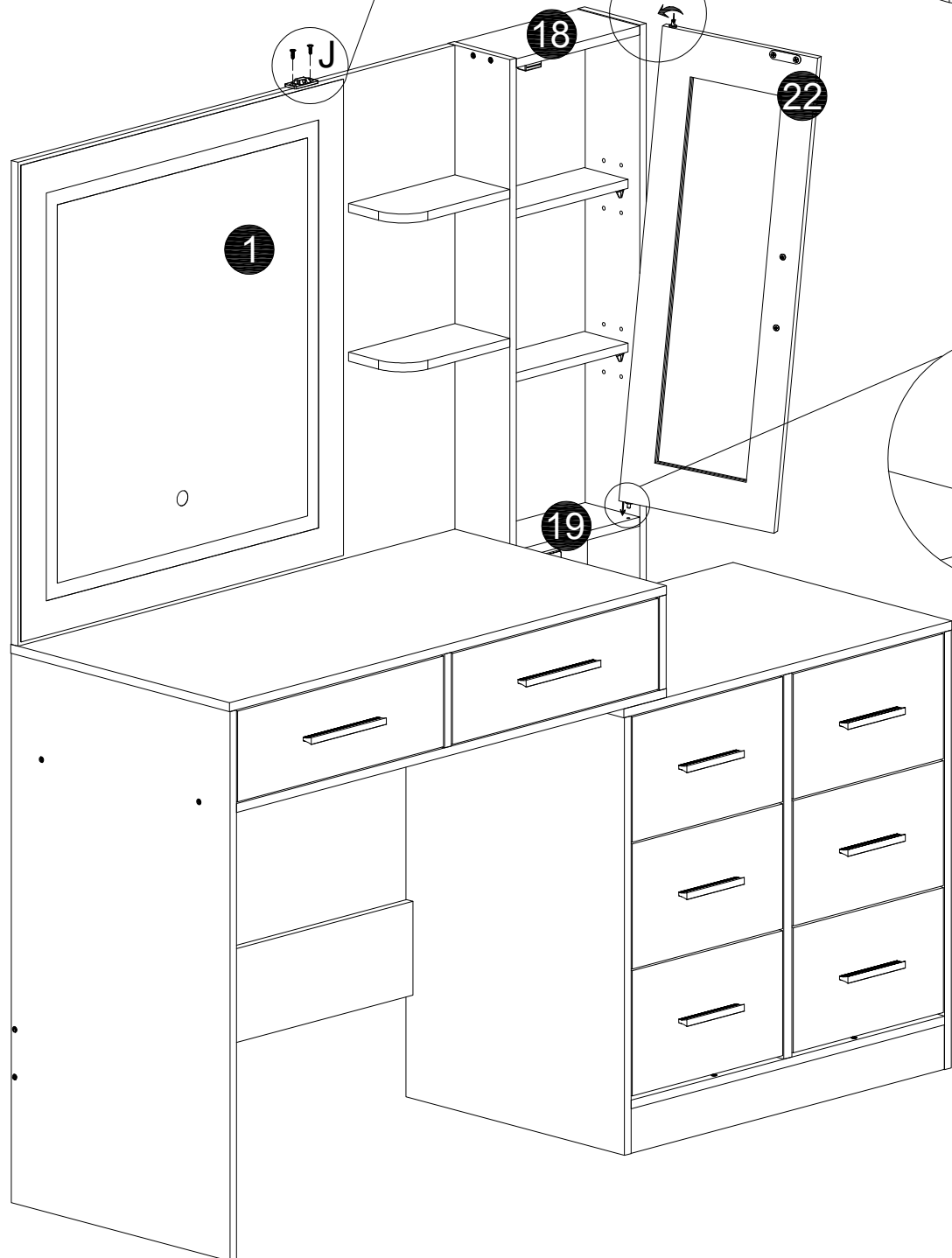
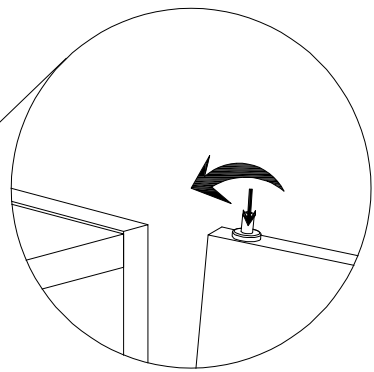
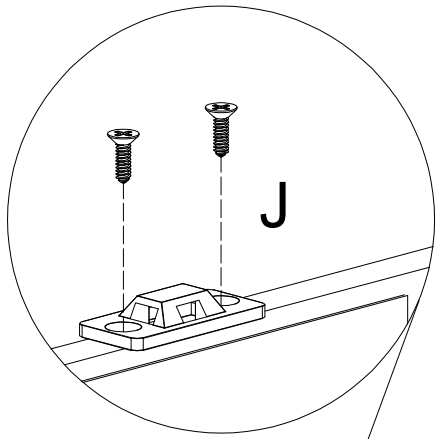
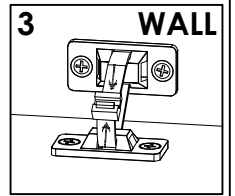
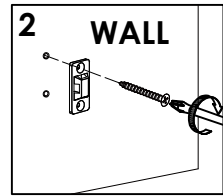
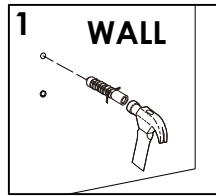


STEP28

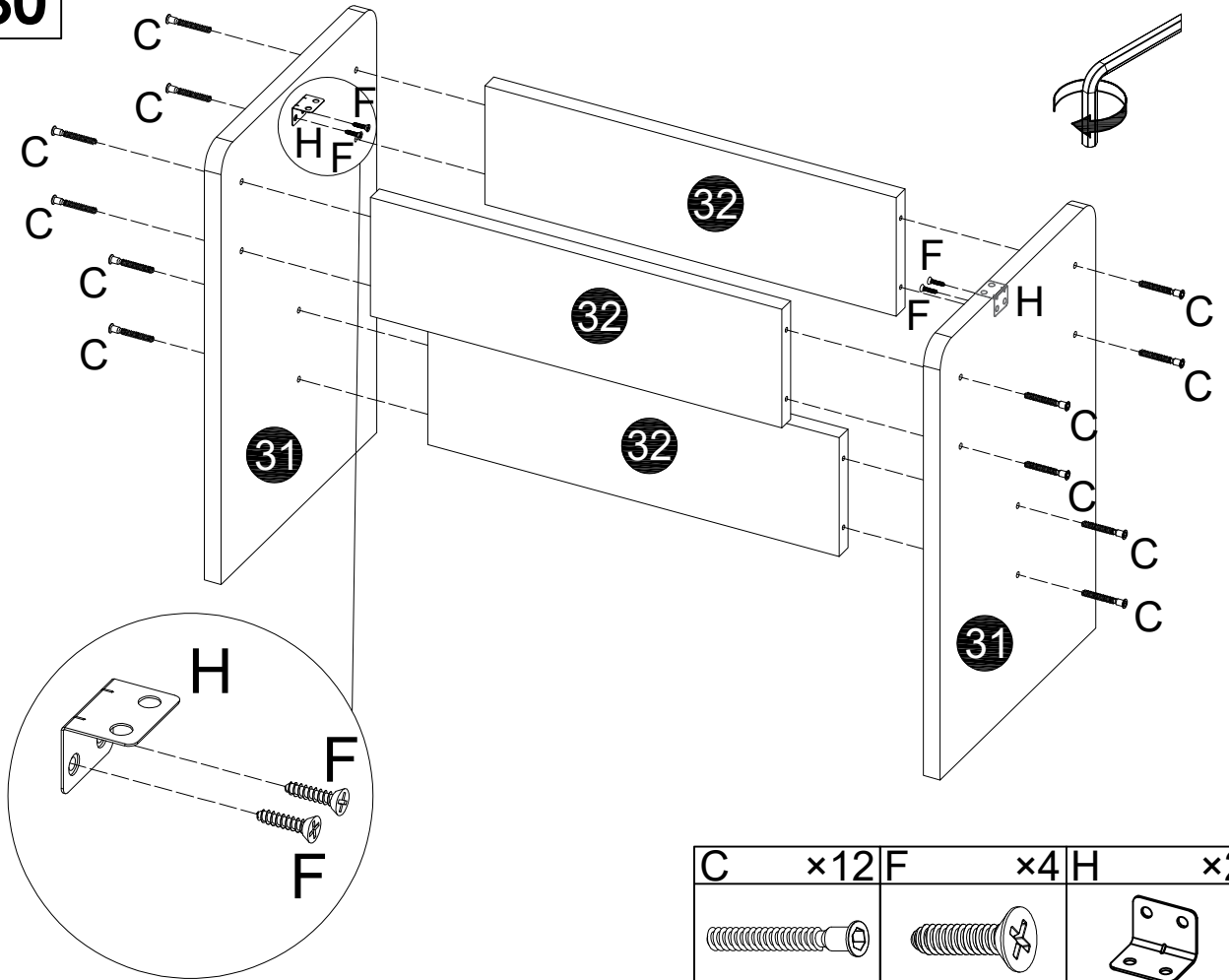





C	× 4	D	× 2	M	× 1		× 1

STEP 29

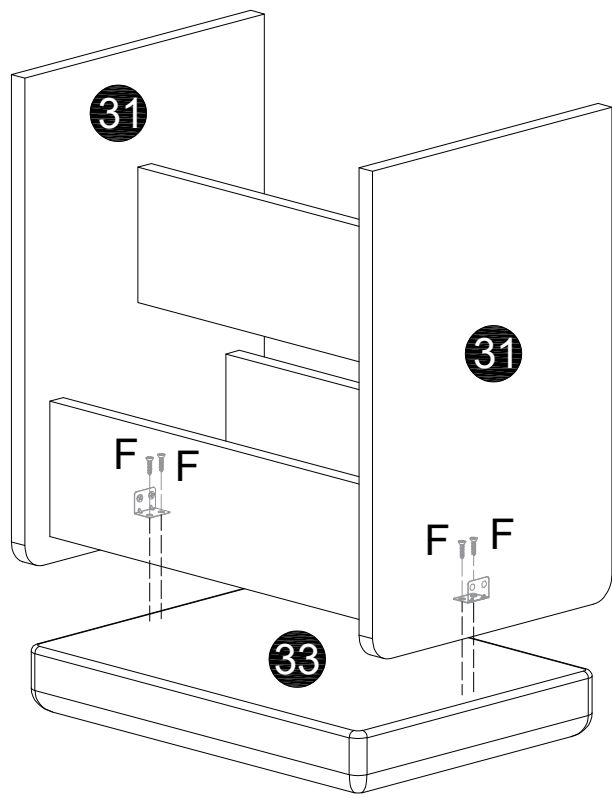


STEP 30



C	x12	F	x4	H	x2
					

STEP 31



F	x4
