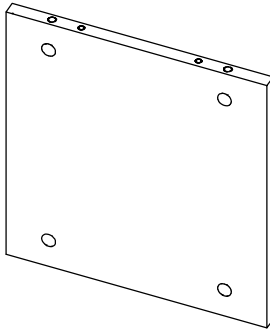
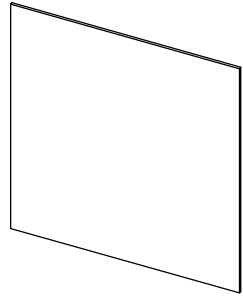


Ax1

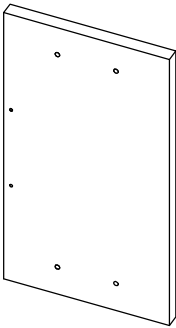


Bx1



$\frac{284 \times 250}{11.2 \times 9.8}$

Cx1

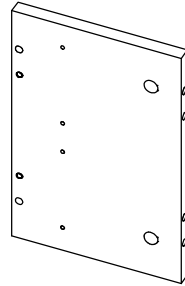


Dx1

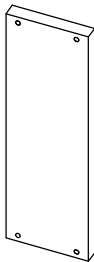


$\frac{333 \times 195}{13.1 \times 7.7}$

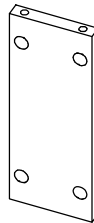
Ex1



Fx2



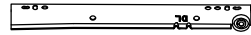
Gx1



Hx2



DRx1



DLx1



CRx1



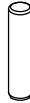
CLx1



Ix16



Jx16



Kx8



Lx2



Mx2



Nx1



Ox1



Px1



Qx22



M3.5x $\frac{12}{0.5}$

Rx4



M6x $\frac{12}{0.5}$

Sx4



M3.5x $\frac{30}{1.2}$

Tx4



M3.5x $\frac{15}{0.6}$

Ux2



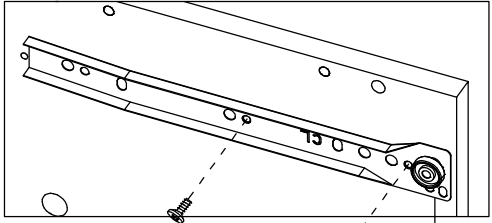
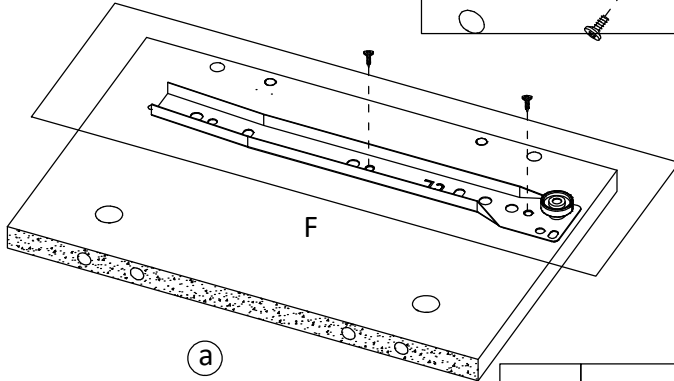
Vx2



mm
inch

x1

①

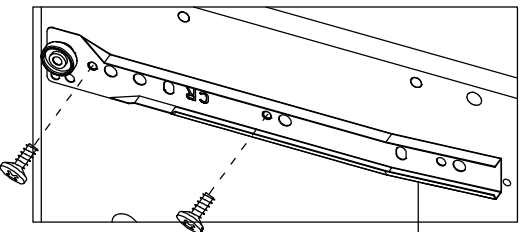
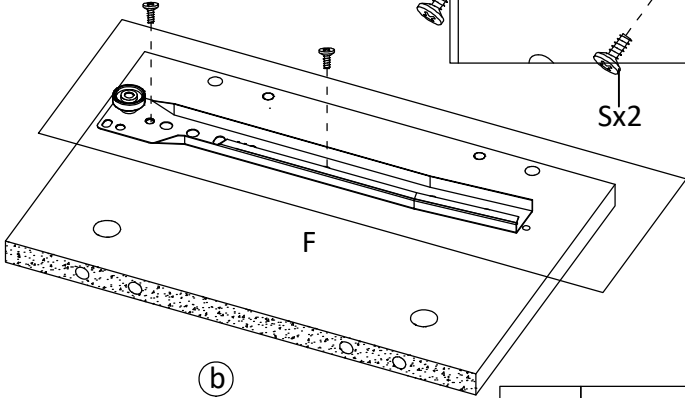


Sx2 CLx1

a

CLx1		Sx2	M6x $\frac{12}{0.5}$
------	--	-----	----------------------

②

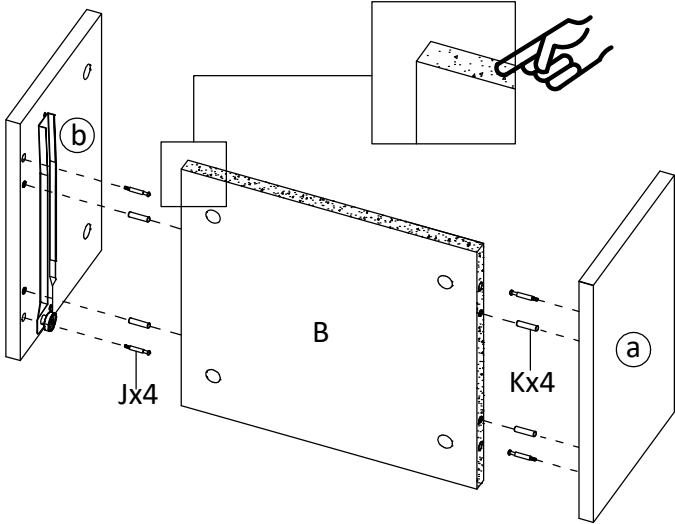


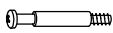
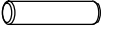
Sx2 CRx1

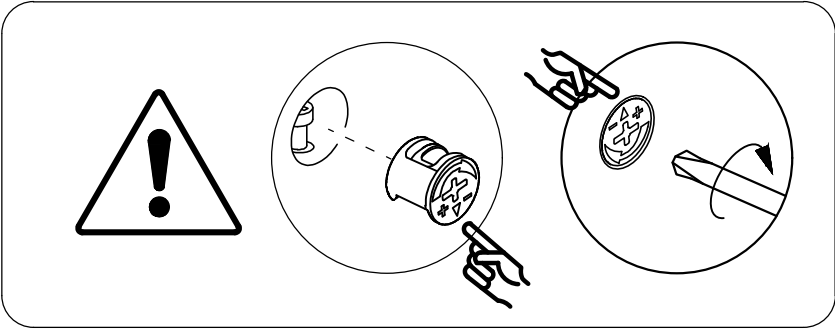
b

CRx1		Sx2	M6x $\frac{12}{0.5}$
------	--	-----	----------------------

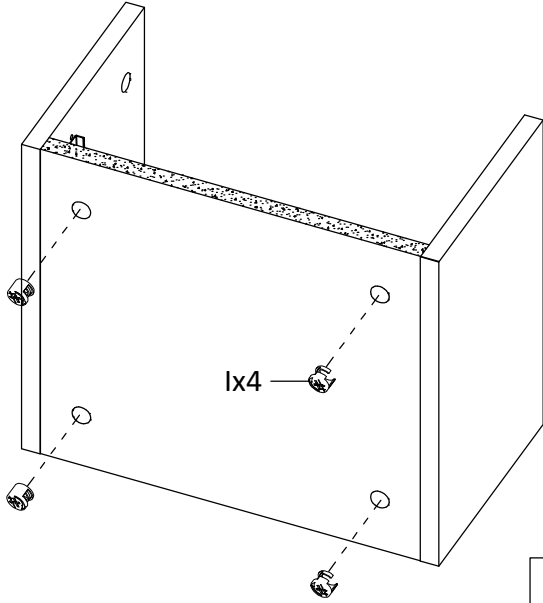
3



Jx4		Kx4	
-----	---	-----	--

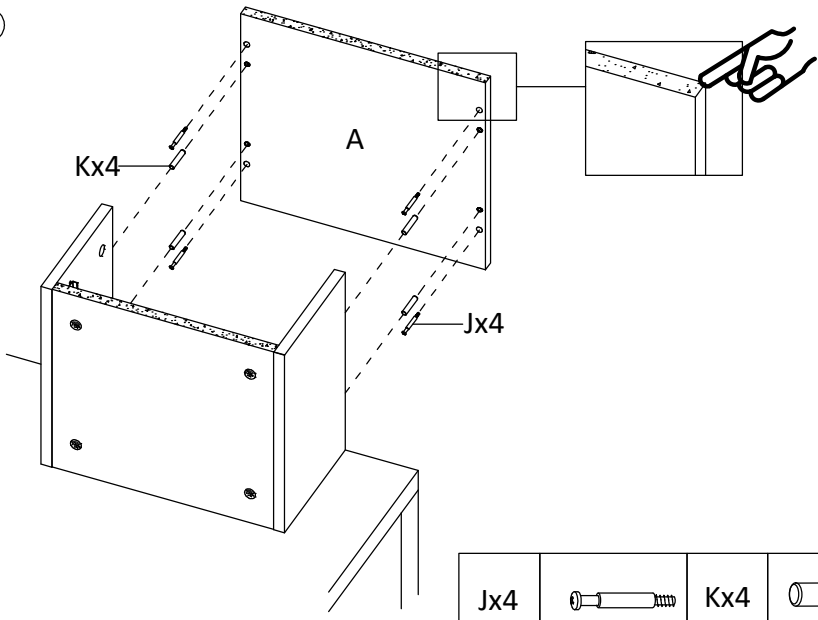


4



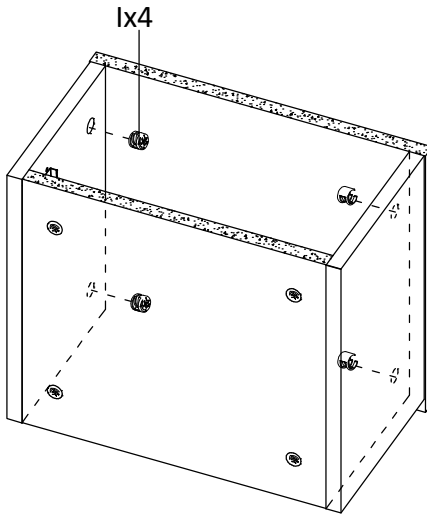
lx4	
-----	--

5



Jx4		Kx4	
-----	--	-----	--

6

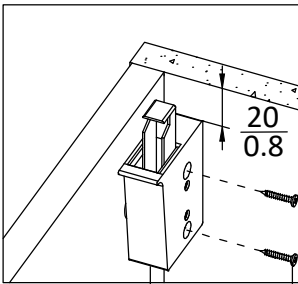


lx4



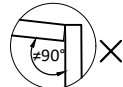
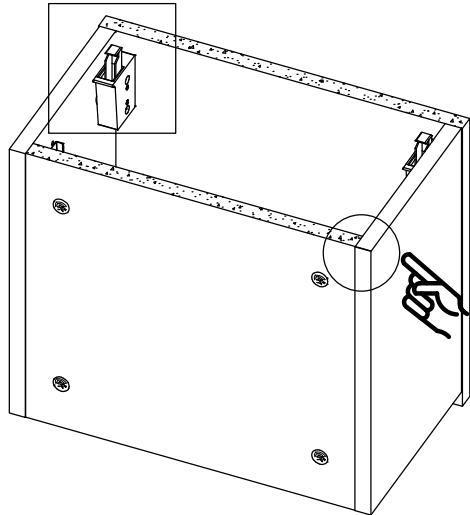
7

x2



Lx1


Tx2

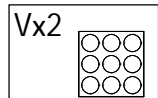
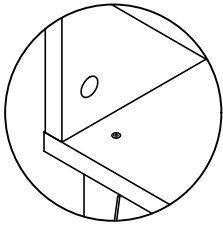
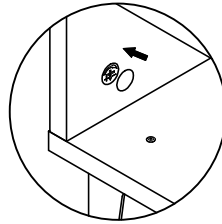
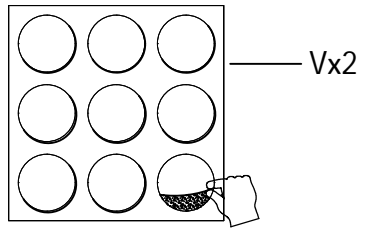
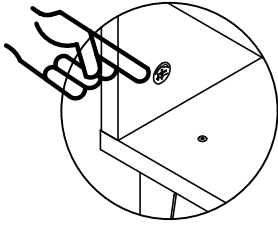


Lx2

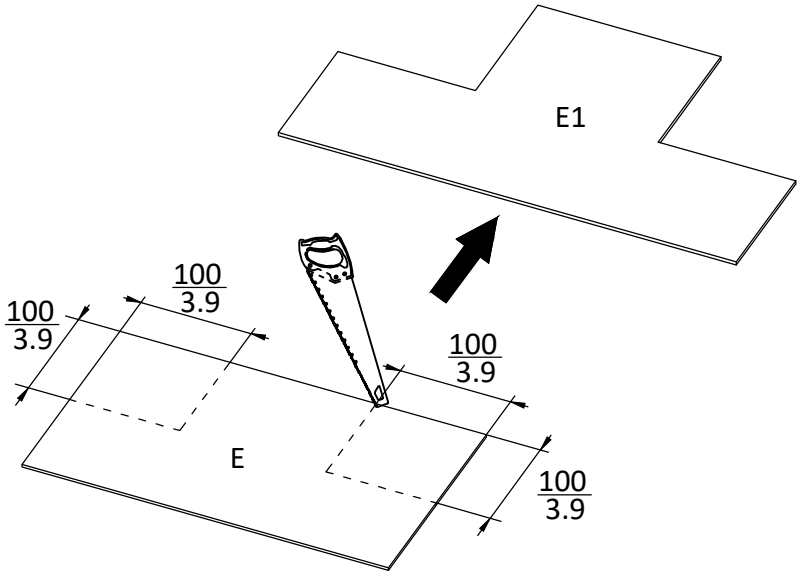


Tx4

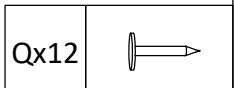
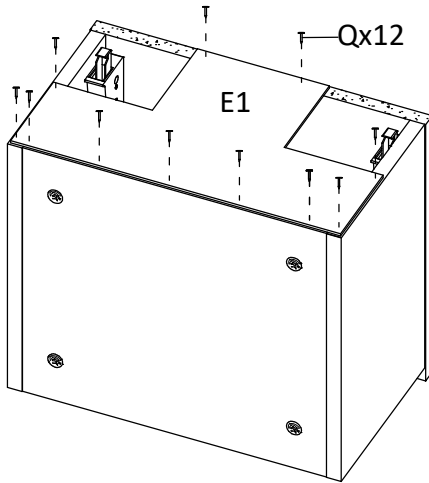
 M3.5x $\frac{30}{1.2}$



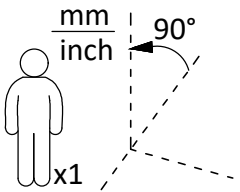
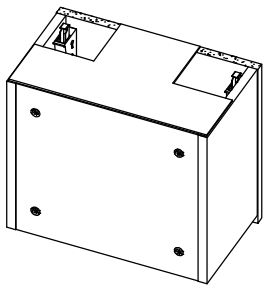
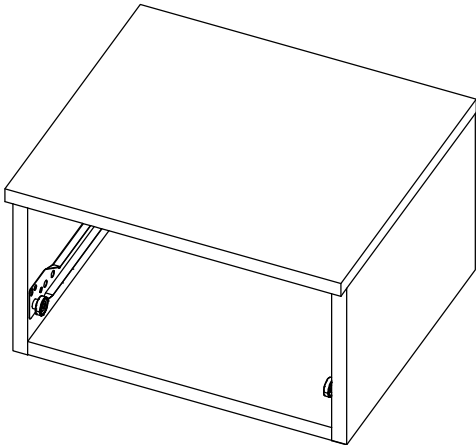
8



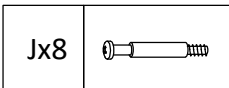
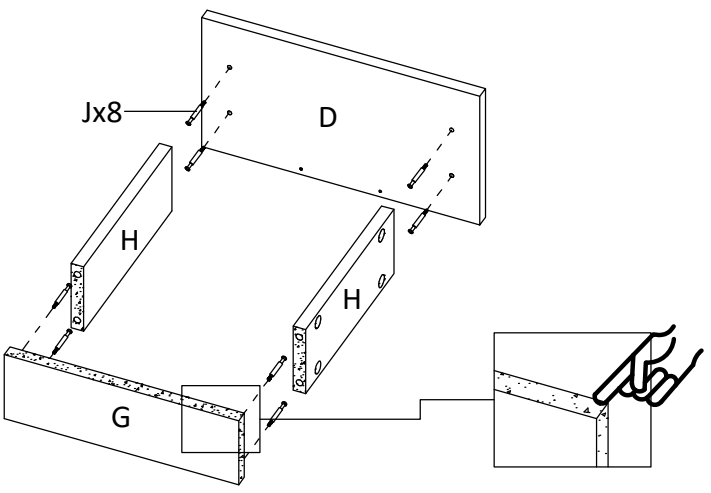
9



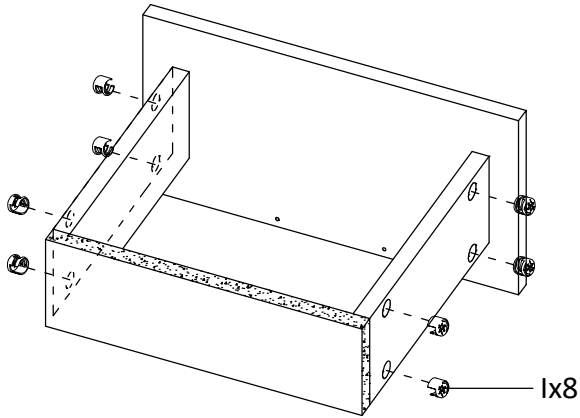
10



11



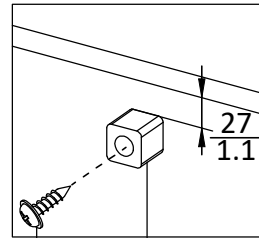
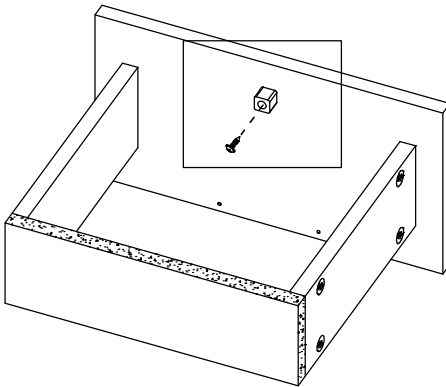
12



lx8



13



Px1

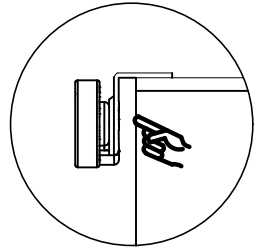
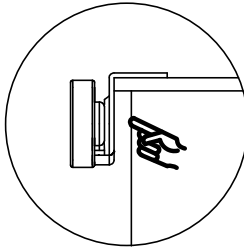
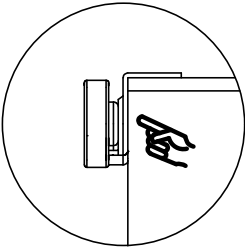
Nx1

Nx1

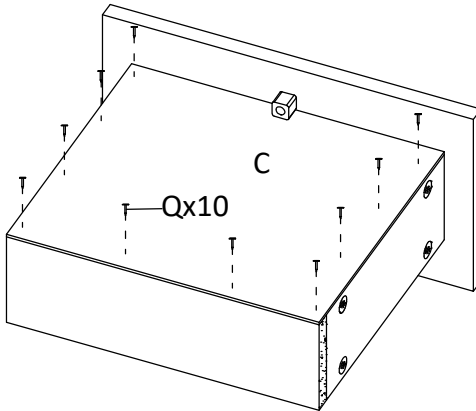


Px1





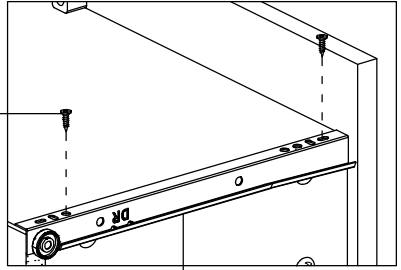
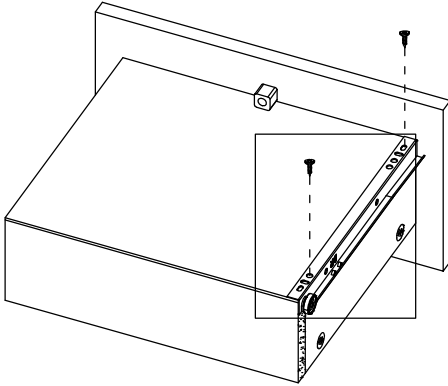
14



Qx10


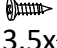


15

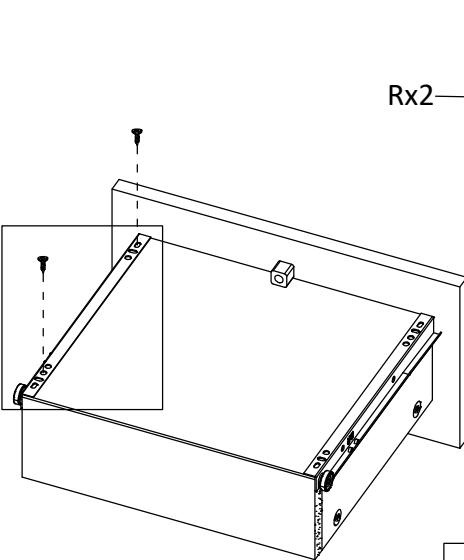


Rx2

DRx1

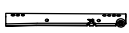
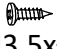
DRx1		Rx2	
------	---	-----	---

16

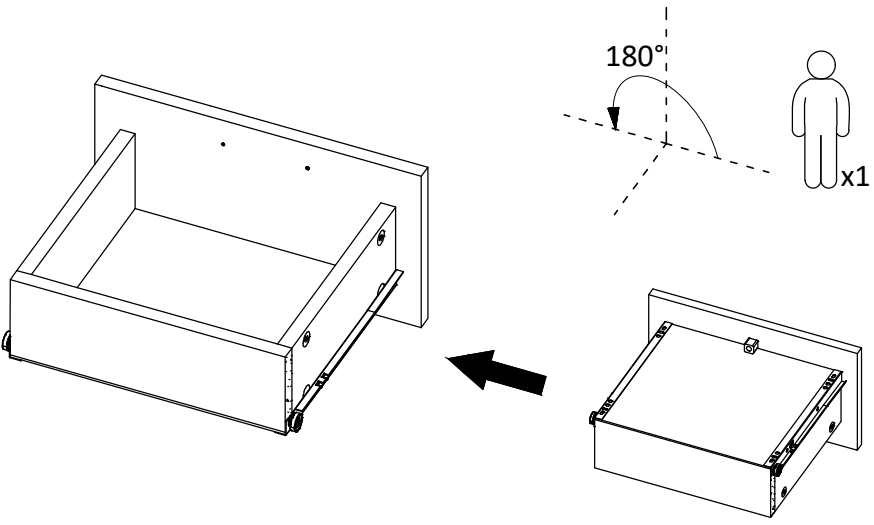


Rx2

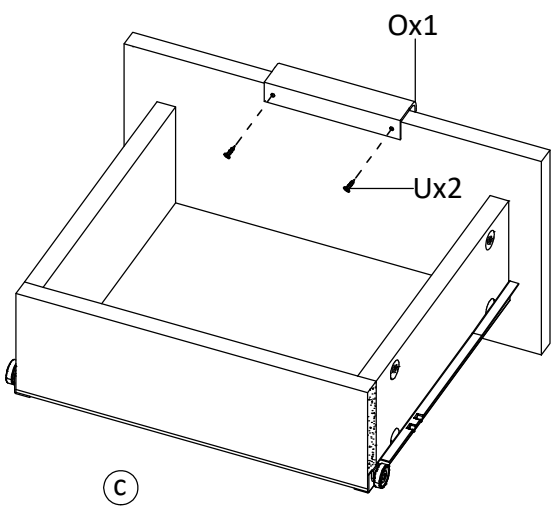
DLx1

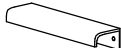

DLx1		Rx2	
------	---	-----	---

17

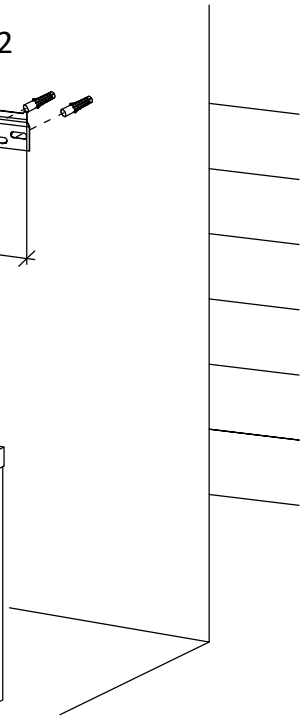
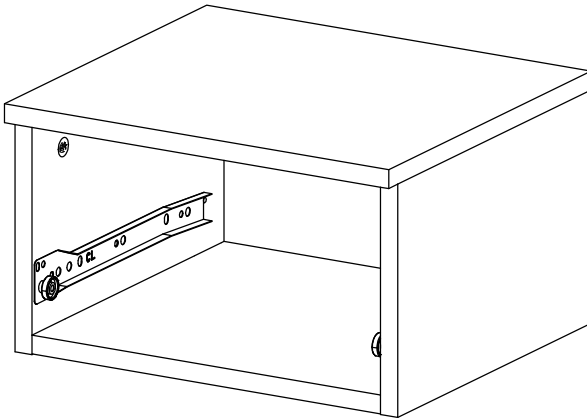
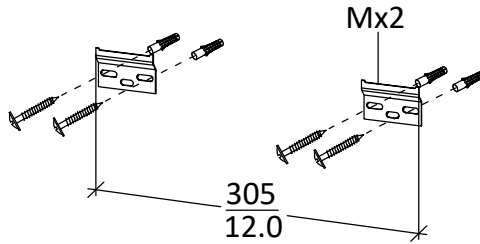
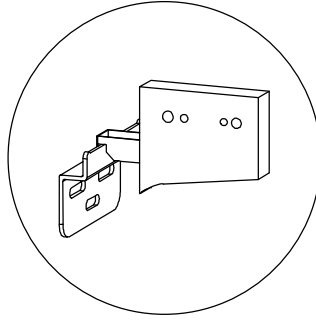
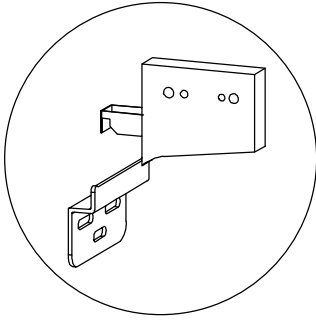


18

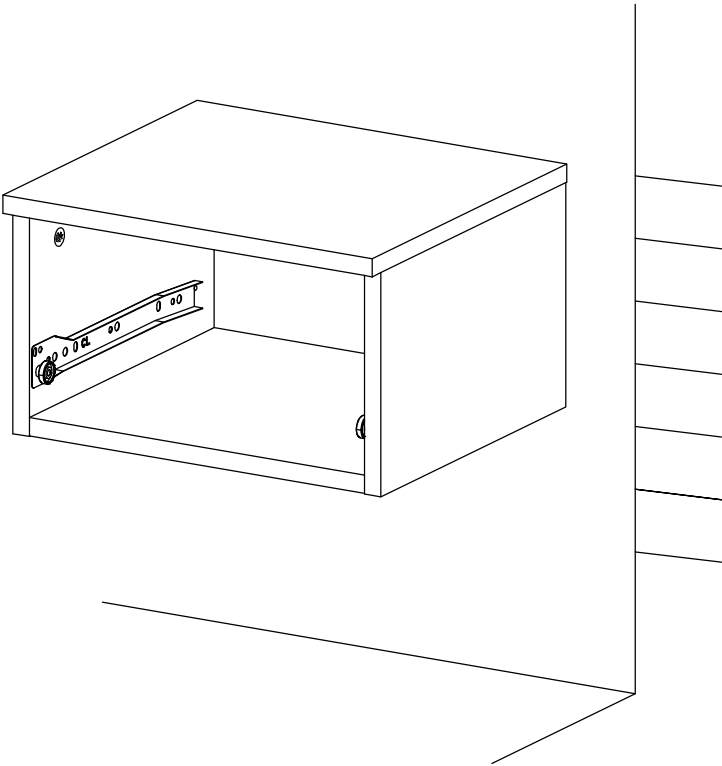
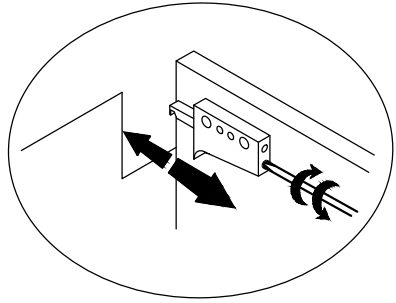
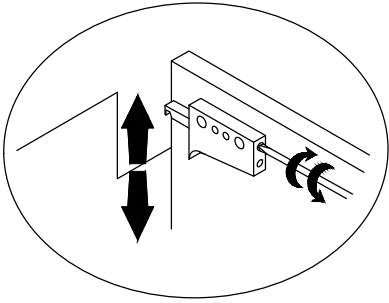


Ox1		Ux2	 M3.5x $\frac{15}{0.6}$
-----	---	-----	--

19



20



21

