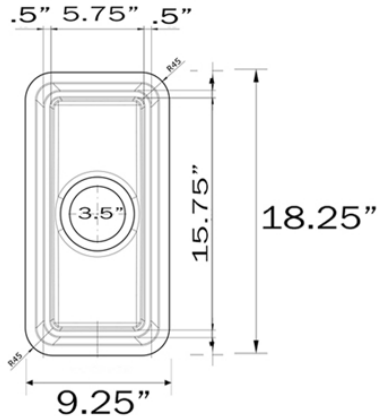


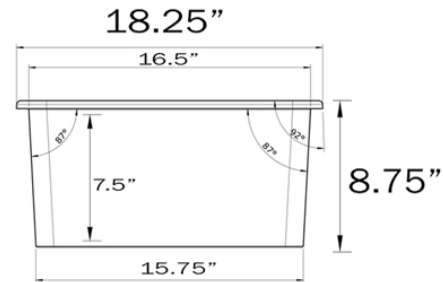
9.25 Inch x 18.25 Inch Single Bowl Dualmount Fireclay Bar/Prep Sink with Basket Strainer Drain



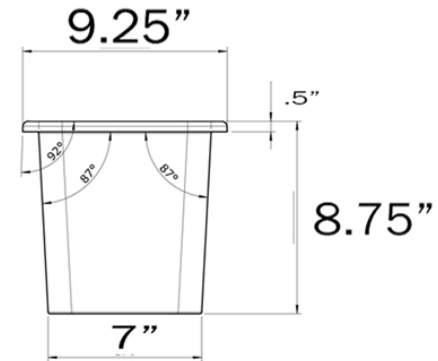
Top View



Side View



Front View



| OVERALL DIMENSIONS | INTERIOR BOWL | BOWL DEPTH | DRAIN DIMENSIONS | BOTTOM GRID |
|------------------------|----------------|------------|-----------------------|-------------|
| 9.25" x 18.25" x 8.75" | 5.75" x 15.75" | 7.5" | 3.5" Standard Opening | N/A |

FEATURES:

- Basket strainer drain included with sink
- Scratch/Heat Resistant
- Hygienic Non-Porous Surface
- Material is sound absorbing and stain-resistant
- Dualmount can be topmounted or undermounted
- Limited Manufacture's Warranty
- Professional Installation Recommended - support cradle required
- Made in Europe

Project Name: _____

Architect / Contractor: _____

Job Notes: _____
