

INSTALLATION & USER MANUAL

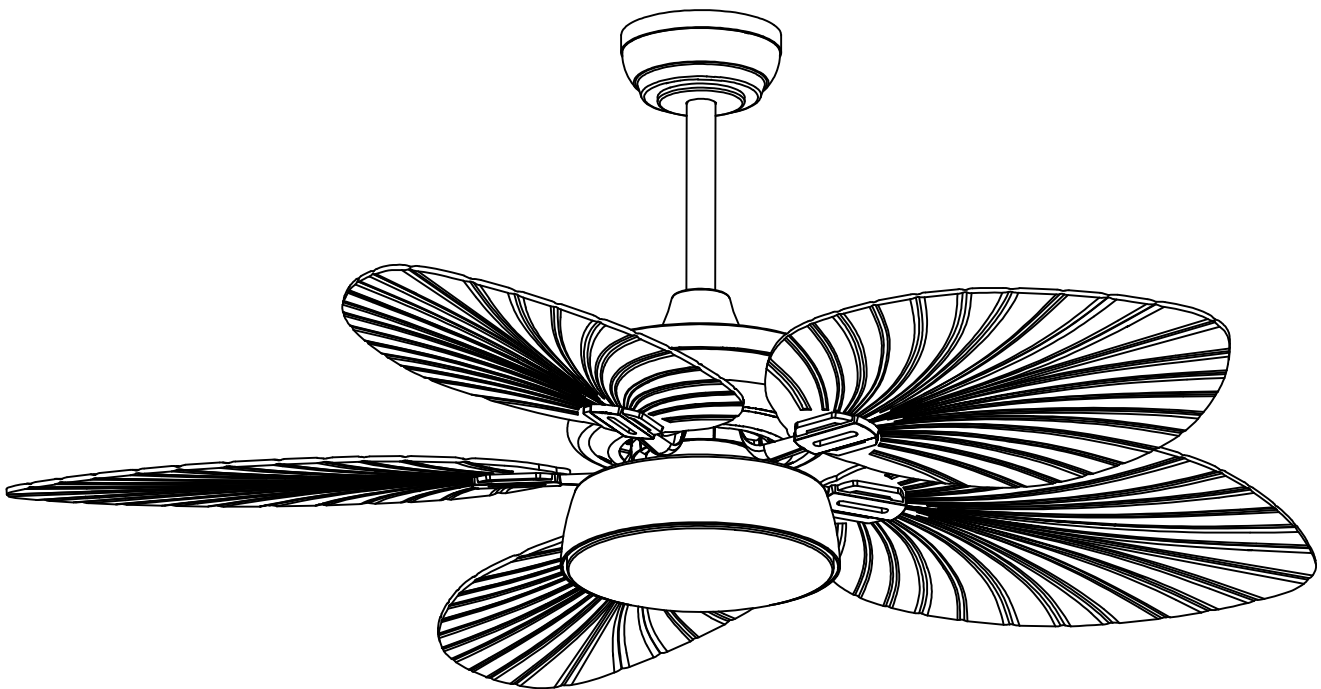


Table of Contents


Table of Contents.....2
Safety Information.....2
Dimension Reference.....3
Hardware Included.....3
Fan Parts Included.....3


Exploded View.....4
Installation Instructions.....5-10
Troubleshooting Guide.....5-11
Balancing Kit12


Safety Information


READ AND SAVE THESE INSTRUCTIONS


- 1, To reduce the risk of electric shock, ensure electricity has been turned off at the circuit breaker or fuse box before you begin.
2. All wiring must be in accordance with the National Electrical Code “ANSI/NFPA 70” and local electrical codes. Electrical installation should be performed by a qualified licensed electrician.
- 3, The outlet box and support structure must be securely mounted and capable of reliably supporting a minimum of 35 lbs (15.9 kg). Use only UL Listed outlet boxes marked “Acceptable for Fan Support of 35 lbs. (15.9 kg) or less.
4. Do not place objects in the path of the blades.
5. To clean the fixture, turn off the power, wait for it to cool, and wipe the fixture with a clean dry, soft cloth.
6. After making electrical connections, spliced conductors should be turned upward and pushed carefully up into the outlet box. The wires should be spread apart with the grounded conductor and the equipment-grounding conductor on one side of the outlet box and ungrounded conductor on the other side of the outlet box.
7. All screws must be checked and retightened where necessary before installation.


 **WARNING:** To reduce the risk of electrical shock or fire, do not use this fan with any solid-state fan speed control device. It will permanently damage the electronic circuitry.


 **WARNING:** To reduce the risk of fire or injury, do not use this product in conjunction with any wall control.


 **WARNING:** To reduce the risk of personal injury, do not bend the blade brackets when installing the racket, balancing the blades, or cleaning the fan. Do not insert objects.


 **WARNING:** To reduce the risk of fire, electric shock or personal injury, mount to outlet box marked “Acceptable for fan support of 35 lbs. (15.9 Kg) or less and use screws provided with the outlet box


 **WARNING:** To avoid possible electrical shock, turn the electricity off at the main fuse box before wiring

 **WARNING:** To reduce the risk of electrical shock, this must be installed with an isolating wall control / switch,

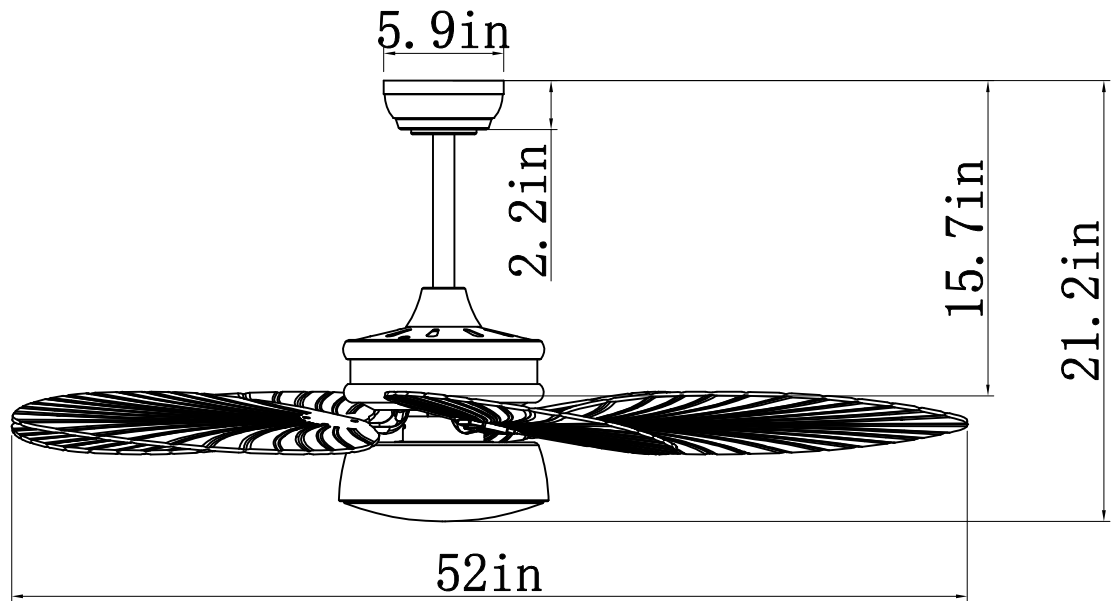
 **CAUTION:** To reduce the risk of personal injury use only the screws provided with the outlet box.

 **CAUTION:** Please use carefully when working around or cleaning the fan to avoid injury or damage of fan.

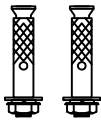
 **CAUTION:** The fan must be mounted with a minimum of 7 ft (2.1 m) clearance from the trailing edge of the blades to the floor.

 **CAUTION:** Changes or modifications not expressly approved by the party responsible for compliance could void the user’s authority to operate the equipment.

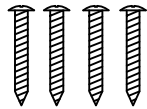
Dimension Reference



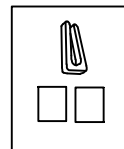
Hardware Included



Machine Screw X 2



Wood Screw X 4



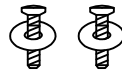
Balance Kit X 1



Blade Screw X 15



Wire Nut X 3



Remote Bracket Screw X 2



Hanger X 1



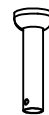
Canopy X 1



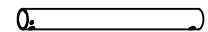
Canopy Cove X 1



Yoke Cover X 1



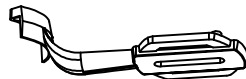
Downrod X 1



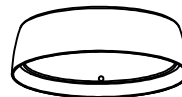
Long Downrod X 1



Motor Housing X 1



Leaf fork X 5



Lamp Housing X 1



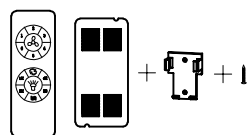
Light Source Module X 1



Lamp shade X 1

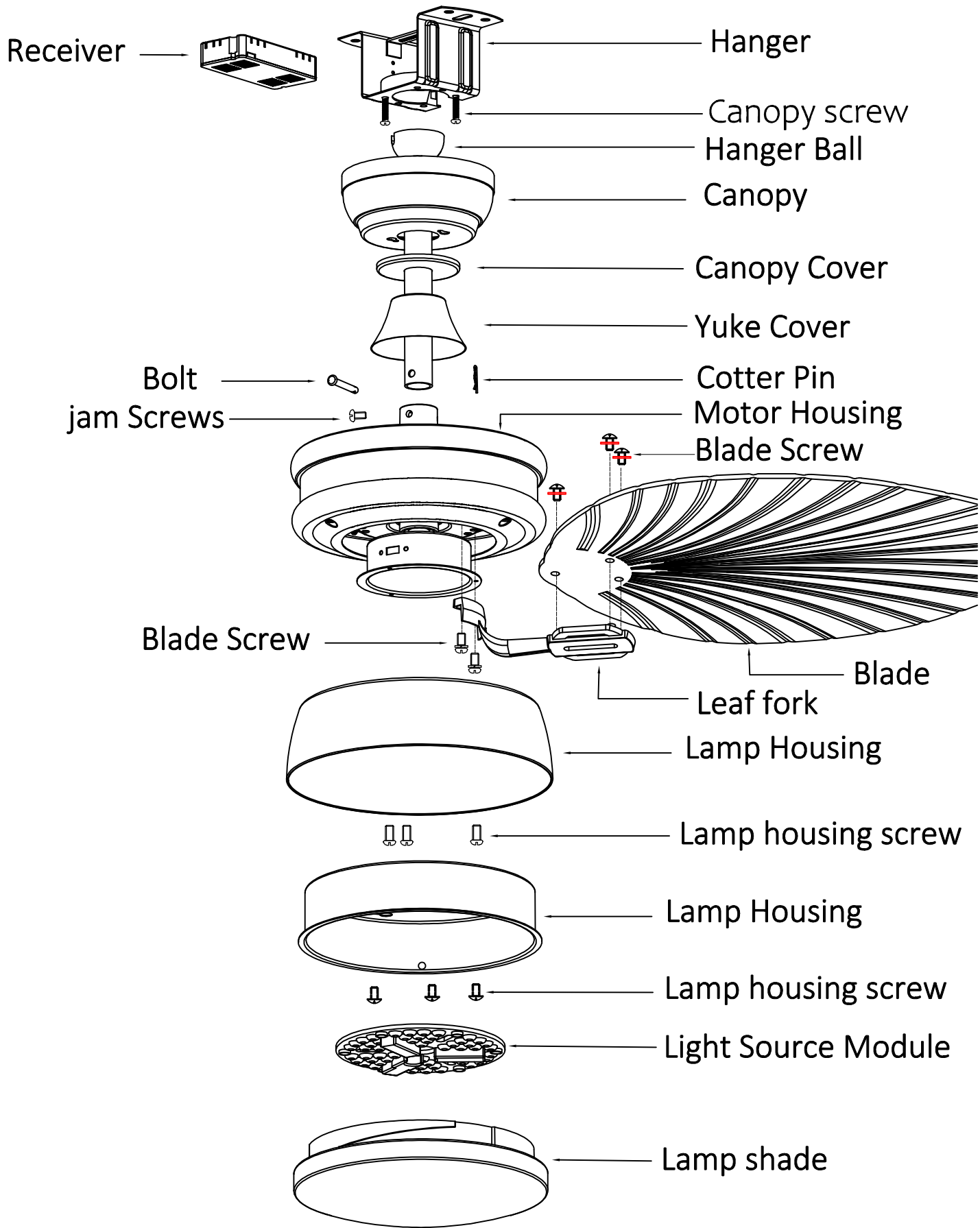


Blade X 5



Remote Control X 1

Exploded View

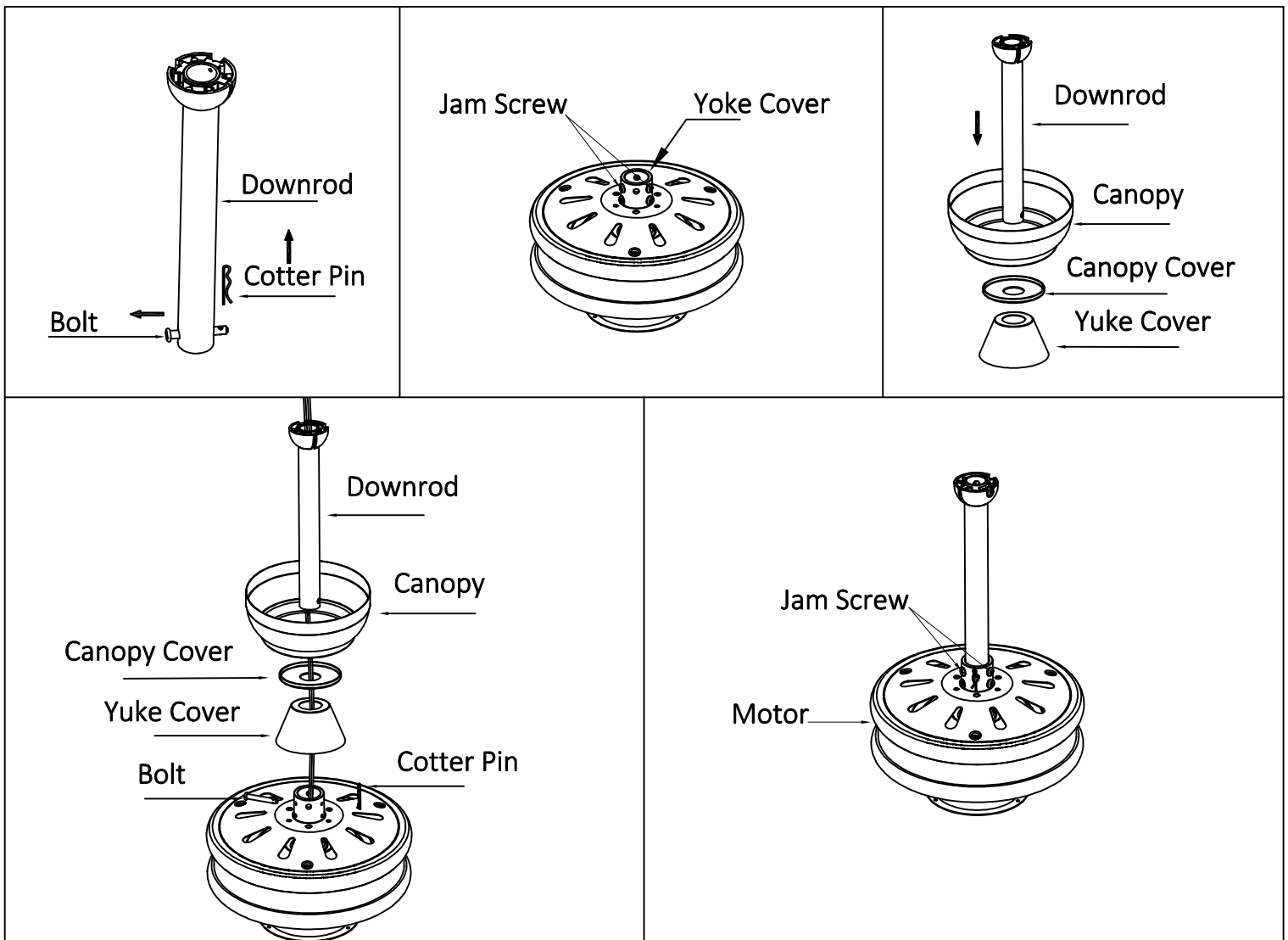


Installation Instructions

Step 1 mounting

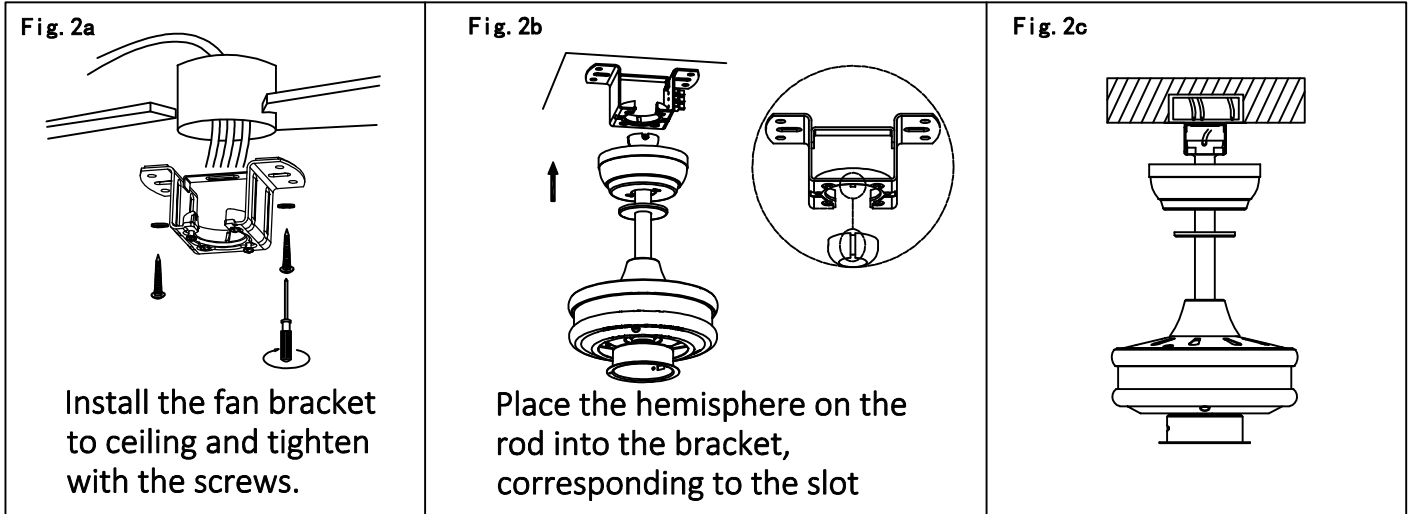
- Take out fan downrod.
- Remove cotter pin and bolt from downrod
- Take out fan motor housing.
- Loosen jam screw in yoke until it is flush with the inside surface.
- Place the downrod inside the canopy, canopy cover, and yoke cover.
- Route wires exiting motor through yoke cover, canopy and downrod.
- Insert bolt through hole in downrod. Be careful not to damage or cut the fan wires
- Tighten bolt. Secure with cotter pin through hole in the end of the bolt.
- Secure downrod in position by tightening jam screws.
- Slide yoke cover down and it will flush with the motor housing.

CAUTION: To ensure wobble-free operation and to avoid damage to the fan, the downrod and the set screw must be completely tightened.

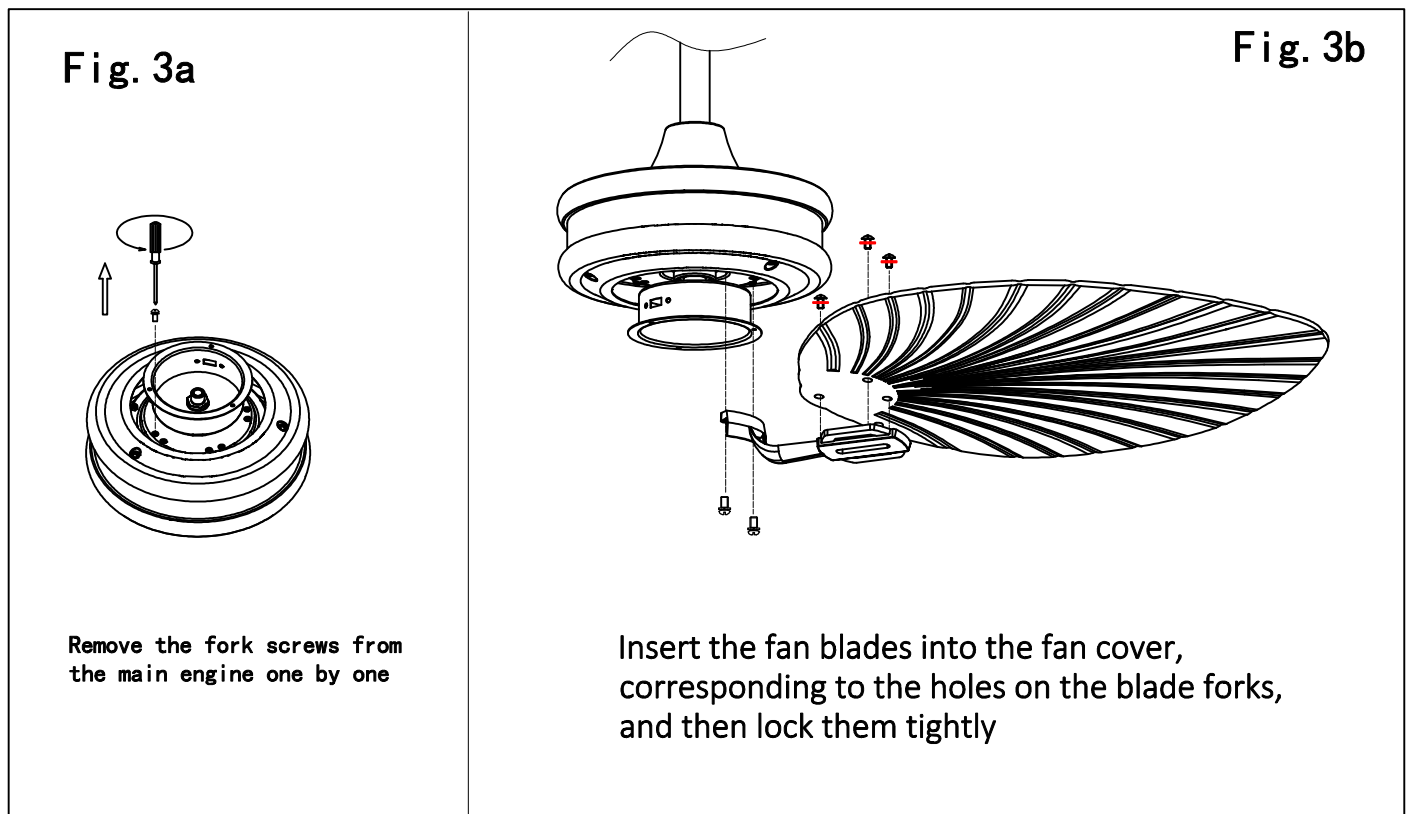


Installation Instructions

Step2 Install mounting bracktt



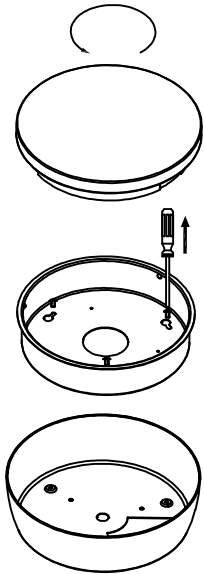
Step3 Attaching the Fan Blades



Installation Instructions

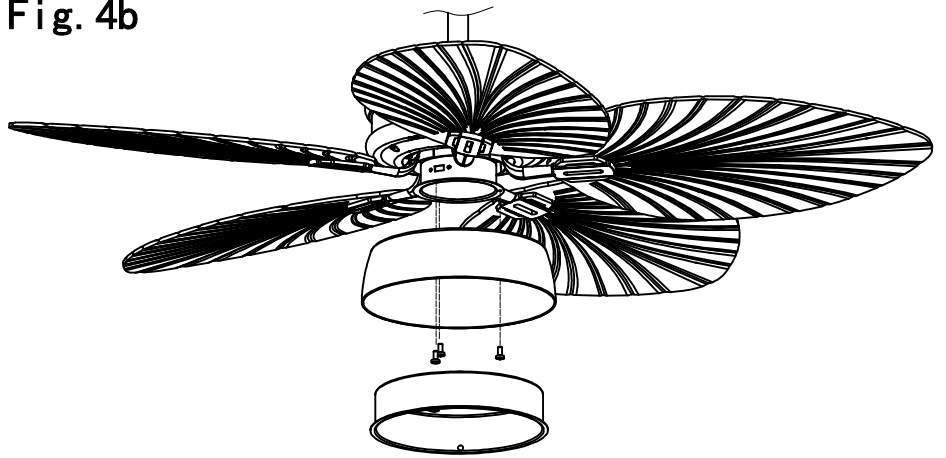
Step4 Assembling the lamp housing

Fig. 4a



Twist out the inner lamp panel

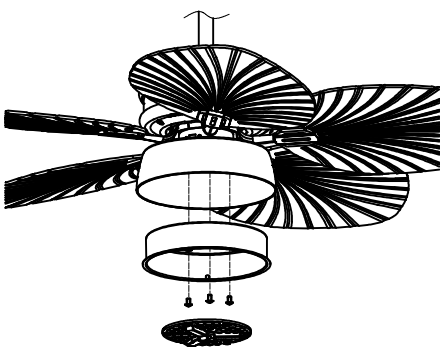
Fig. 4b



Install the lamp panel on the lamp installation platform and tighten the screws

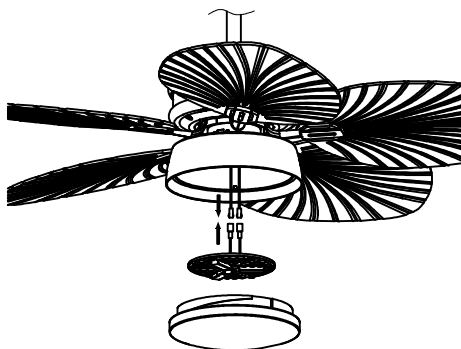
Step5 The lampshade installation

Fig. 5a



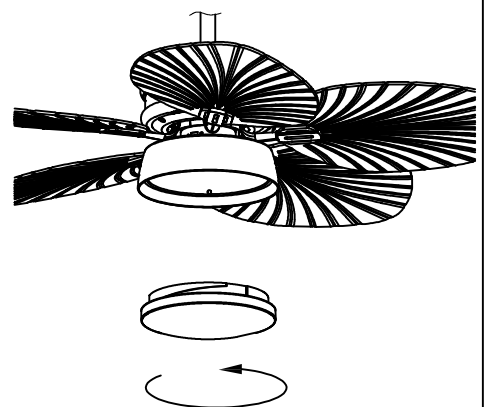
Install the tightening screws of the inner lamp panel

Fig. 5b



Connect the lamp cable and suck the lamp board to the lamp panel

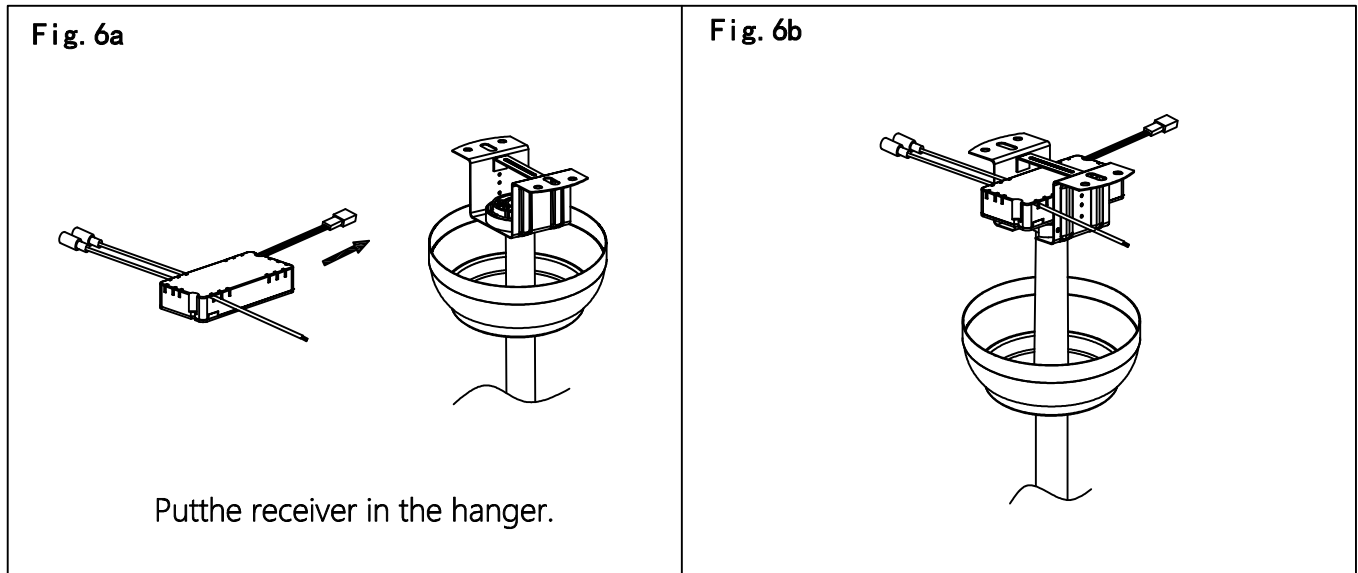
Fig. 5c



Connect the lamp cable and suck the lamp board to the lamp panel

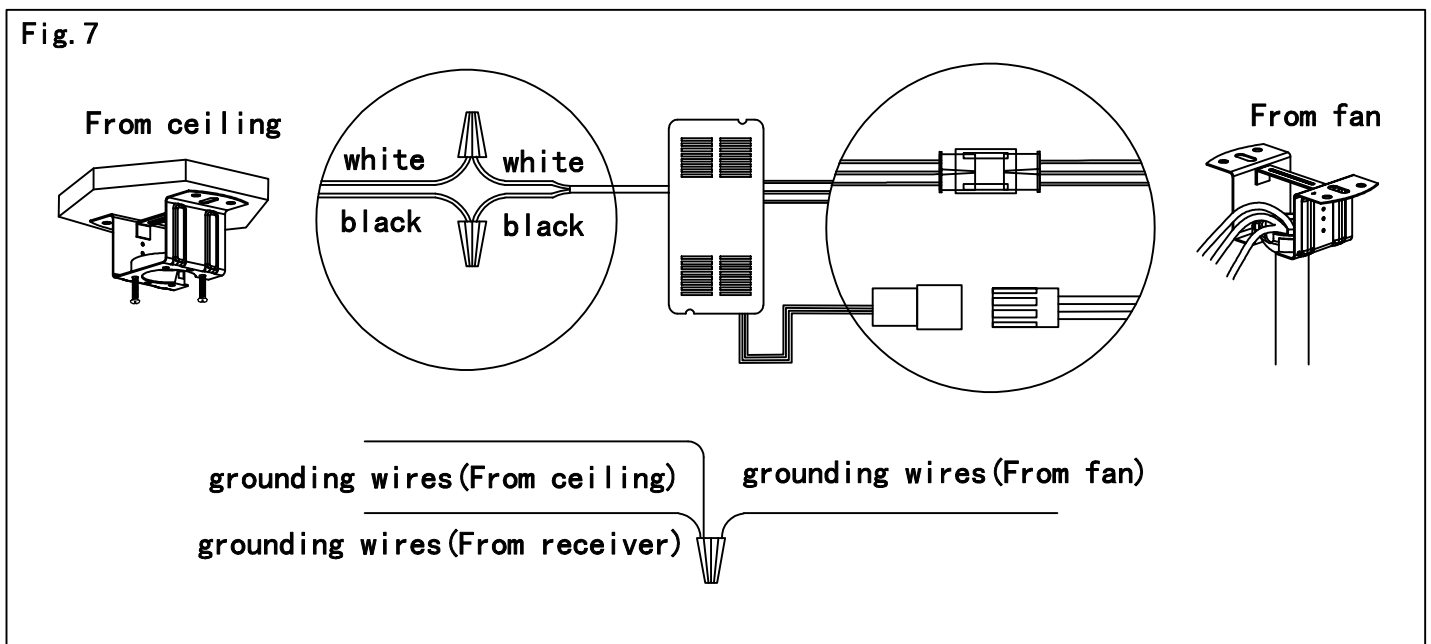
Installation Instructions

Step 6 The receiver installation



Step 7 Wiring the Fan

Wiring according to the wiring diagram.



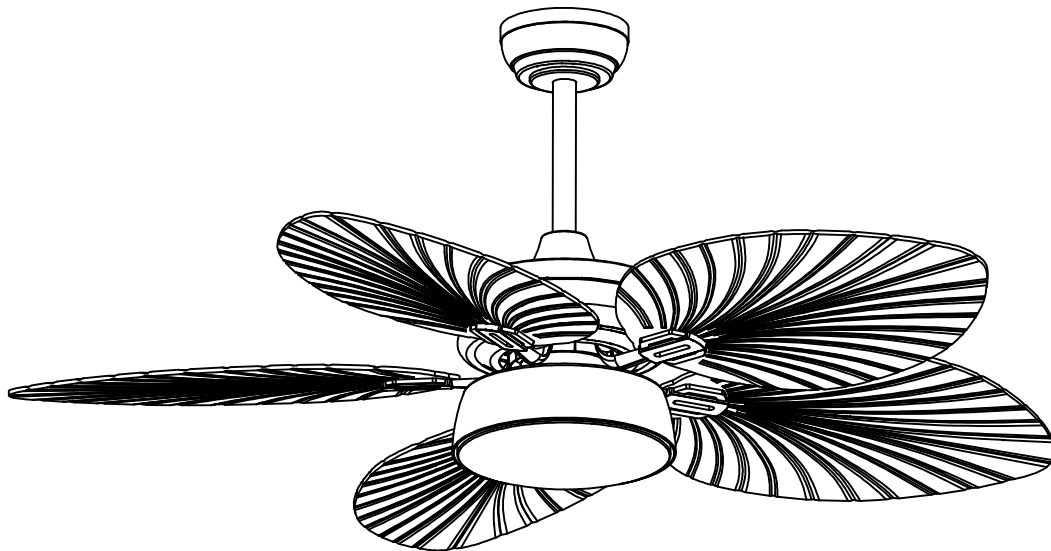
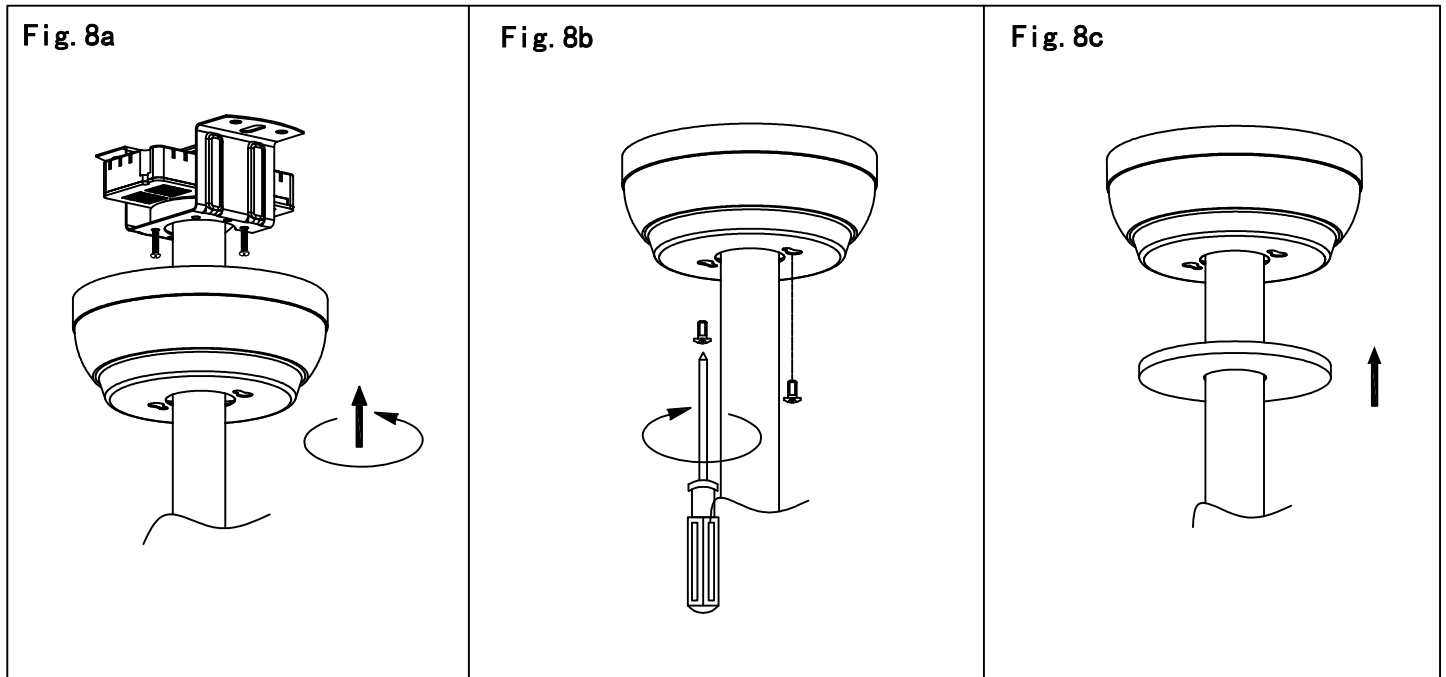
NOTE: Once ground wires are connected, carefully tuck all wires and marrettes into the metal box making sure that the wires are clear of the hemisphere and downrod when positioned in hemisphere and downrod when positioned in mounting bracket.

Installation Instructions

Step 8 Attaching the Canopy and Canopy cover

Slide the canopy up to the ceiling and attach it to the hanger with the screws provided.
Tighten all screws securely

Move the Canopy cover onto the canopy.
(the decorative cover comes with magnetism)



CONGRATULATIONS!
YOU HAVE COMPLETED THE INSTALLA

Installation Instructions

FUNCTION INSTRUCTION OF EMITTER

Open battery cover on the hand-held remote and install battery, pair of AAA of emitter (1.5V that are not included).

If the emitter can not control the fan, learning code matching mode is used between emitter and

Turn on the power switch, press the "SETUP" key within 3 seconds, the receiver issues a "tick" two sounds, the pair code is successful, if not successful, turn off the power for a minute and repeat the above

-When the emitter cannot control the receiver, please check the battery switch touching normally or not. correct the polarity and negative, full or empty of the power.

-When the emitter cannot control the receiver, please check if there is any existence of similar remote controlled products nearby, then check whether they work, because remote controlled product with the same frequency will disturb each other.

Please take out the battery from the emitter when leaving unused for long time.

When installing the fan, the fan ceiling cover don't press the antenna or other wire, it is easy to breakdown the wire and short-circuited.

1. Speed control

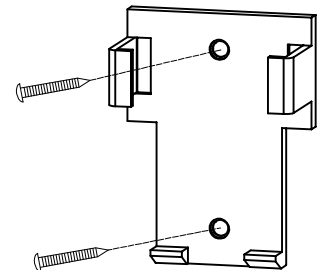
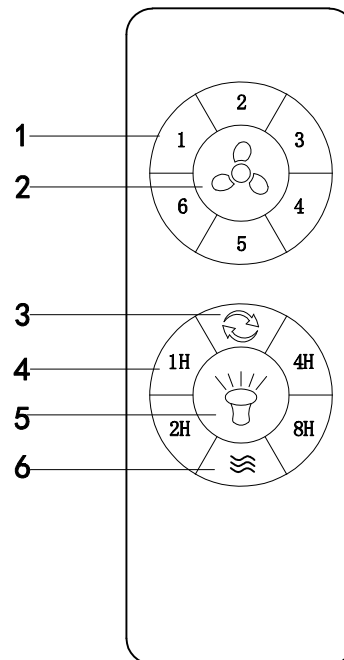
2. Match code/Fan off

3. Fan forward and reverse rotation

4. Timer

5. Light switch on/off

6. Natural wind



Light Memory Function:

1. The default light color when the ceiling fan is turned on.

2. The light will lack in a specific color temperature after turning on the light for 10 seconds

3. The color temperature will be the same as the last time when turning on the light next time.

Notice: If you turn it on and off immediately, it will change color.

Troubleshooting Guide

If you have difficulty operating your new ceiling fan it may be the result of incorrect assembly, installation, or wiring. In some cases these installation errors may be mistaken for defects. If you experience any faults please check this troubleshooting guide.

	Problem	Suggested Remedy
1	If fan does not start.	<p>Check the main and branch circuit fuses or breakers.</p> <p>Check the line wire connections to the fan and switch wire connections in the switch housing.</p> <p>Check the battery in the remote control.</p> <p>Ensure you are in the normal range of 10-20 feet.</p>
2	If fan sounds noisy.	<p>Ensure all motor housing screws are snug</p> <p>Ensure the screws that attach the fan blade bracket to the motor hub are tight.</p> <p>Ensure the wire nut connections are not rattling against each other or the interior wall of the switch housing.</p> <p>Allow a 24-hour "breaking in" period. Most noises associated with a new fan disappear during this time.</p> <p>If you are using the Ceiling Fan light kit, ensure the screws securing the glassware are tight. Check that the light bulbs are also secure.</p> <p>Ensure the canopy is a short distance from the ceiling. It should not touch the ceiling.</p> <p>Ensure your outlet box is secure and rubber isolator pads were used between the mounting plate and outlet box.</p>
3	If fan wobbles.	<p>Check that all blades are screwed firmly into blade holders.</p> <p>Check that all blade holders are tightened securely to motor. Make sure that canopy and mounting bracket are tightened securely to ceiling junction box and junction box is mounted firmly to ceiling joist.</p> <p>Most fan wobble problems are caused when blade levels are unequal. Check this level by selecting a point on the ceiling above the tip of one of the blades keeping measure within 1/8 in. Rotate the fan until the next blade is positioned for measurement. Repeat for each blade. If all blade levels are not equal you can adjust blade levels by the following procedure. To adjust a blade tip down insert a washer (not supplied) between the blade and blade holder at the screw closest to the motor. To adjust a blade tip up insert washer (not supplied) between the blade and blade holder at the two screws farthest from the motor.</p> <p>If blade wobble is still noticeable interchanging two adjacent (side by side) blades can redistribute the weight and possibly result in smoother operation.</p>
4	If light does not work,	<p>Check blue wire from fan to make sure it is connected to hot wire from the house.</p> <p>Check for loose or disconnected wires in fan switch housing. Check for loose or disconnected wires in light kit.</p> <p>Check for faulty light bulbs. CAUTION: Make sure main power is turned off before entering switch housing.</p> <p>If the fan light shuts off shortly after being switched on it may be due to excessive current demand. Turn off power to the fan and replace the light bulbs with lower wattage bulbs. Turn on power to the fan using the pull chain, wall switch, or remote control (whichever is installed on the particular fan).</p>

Balancing Kit

FUNCTION INSTRUCTION OF EMITTER

The Balancing kit should only be used if there is an unacceptable amount of fan wobble after completing all the steps in your Owners Manual under "Attaching The Fan Blades."

- 1 Turn the fan on and set the speed control setting to a speed at which the wobble is the greatest.
- 2 Turn off the fan and allow it to come to a complete stop. Select one blade and place the balance clip on it, halfway between the blade holder and the blade tip on the trailing edge of blade.
- 3 Turn the fan on. Note whether the wobble has increased or decreased. Turn the fan off, move the clip to another blade, and retest. Repeat this procedure on all blades noting the blade on which the greatest improvement is achieved.
- 4 Move the clip back to the blade that showed the greatest improvement. Move the clip inward and outward on this blade and operate the fan to find the position where the clip gives the greatest improvement.
- 5 Remove the clip and install a balancing weight to the top of blade along the center line near the point where the clip was positioned.
- 6 If the fan wobble problem has not been corrected you may wish to try to improve the balancing further by using the balancing clip and additional weights.

