

Installation Instruction

FIRECLAY KITCHEN SINK



WHITE



GRAY

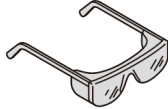


BLACK

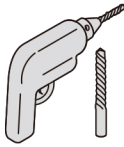
TOOLS AND MATERIALS:



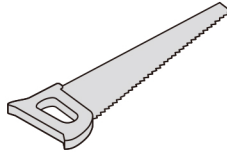
Tape Measure



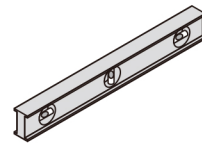
Eye Protector



Power Drill



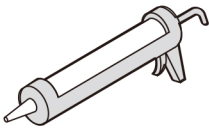
Hacksaw/Jigsaw



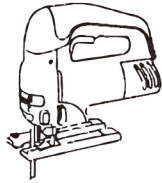
Level



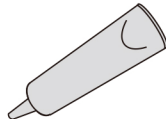
Cleaning Rags



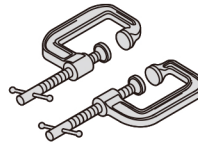
silicone
adhesive sealant



Jig Saw



Silicone Sealant



Framing Square



Pencil(NO ink)

- Sealant - We recommend the use of a stone, marble and granite silicone caulk or a general purpose silicone sealant.
- Installation tools are not provided, please prepare by yourself.

GENERAL RECOMMENDATIONS:

- Please read installation and maintenance instructions thoroughly.
- Inspect your sink for any noticeable damage before installation.
- Check all local applicable plumbing and building codes.

These instructions are based on application to composite material or solid-surface countertop installation only; countertop application to stone, marble, granite or butcher-block should be referred an experienced countertop fabricator for custom installation.

Due to the nature of Fireclay Farmhouse Sinks, we suggest using experienced and professional installers only For custom cutting of countertop and installation of the actual sink, on-site installation is also recommended. Acceptable variances are approximately 1/8" . Alignment to the cutout and precise application and trimming of any adhesive sealant are critical to a superior fit and finished look. Please take extra care in this regard.

Fireclay Farmhouse Sinks require custom cabinetry. Consult your cabinet dealer for details on the requirements for farmhouse sinks.

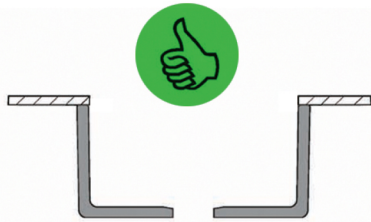
The supplier does not accept any liability for damage to countertop, sink fixture, faucets or personal injury during installation. Warranty is invalid if these installation instructions are not followed.



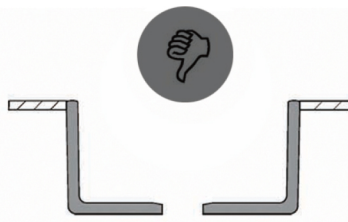
Be sure to use proper tools and always wear personal safety devices for your protection.

INSTALLATION OPTIONS

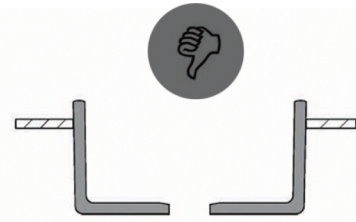
- We recommend Farmhouse Apron kitchen sink installation. Flushmount, Undermount, Overmount or Drop-In installations are not recommended.
- Ensure there is adequate room for the faucet and backsplash installations.



Under-mount



Flush-mount



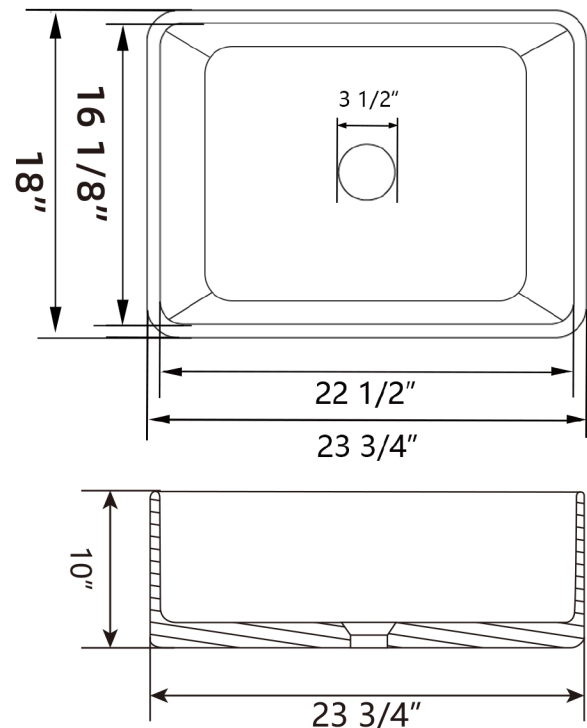
Built up

PRODUCT DIMENSION

NOTE: All the dimensions are subject to the actual measurement approximately $\pm 1/8"$

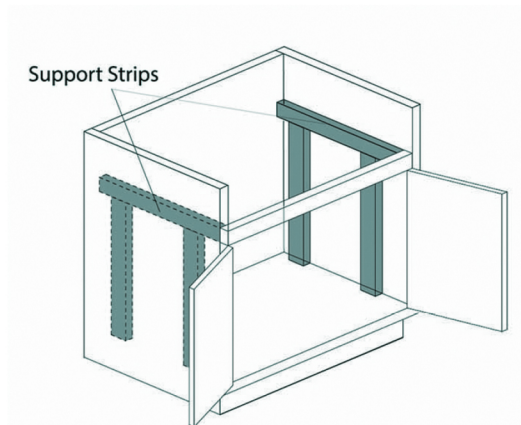
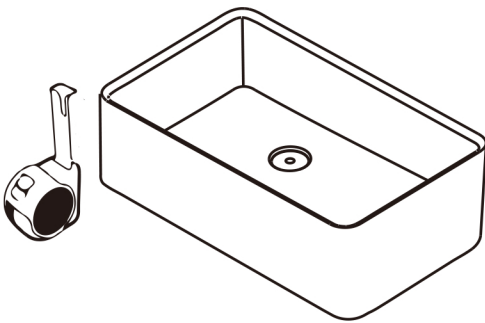
MODEL NO: 241810

SIZE: 23 3/4" *18" *10"



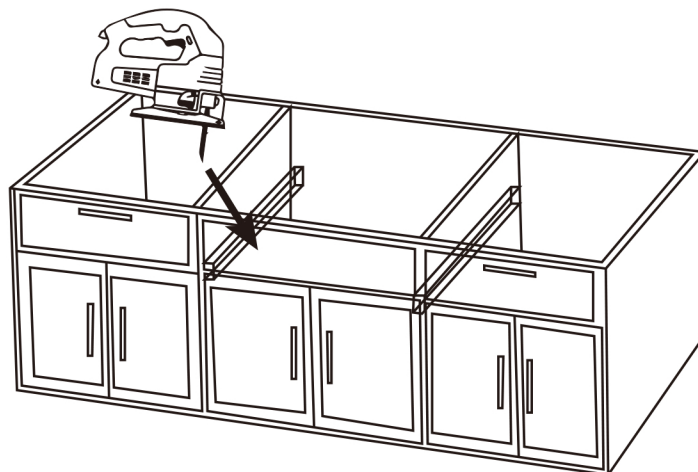
PREPARE THE CABINET

- Farmhouse sink may require custom cabinetry. We recommend consulting an experienced cabinet maker for assistance. Providing the cabinet maker with the actual sink that is to be installed will ensure a custom fit.
- Allow clearance for the water supply lines, drains and a garbage disposal, if applicable. Build a support frame or install support bars from front to back along the inner sides of the cabinet. The frame must support the weight of the sink and all attachments.
- The support frame should be positioned so that when installed, the sink is in line and level with the top of the cabinet.



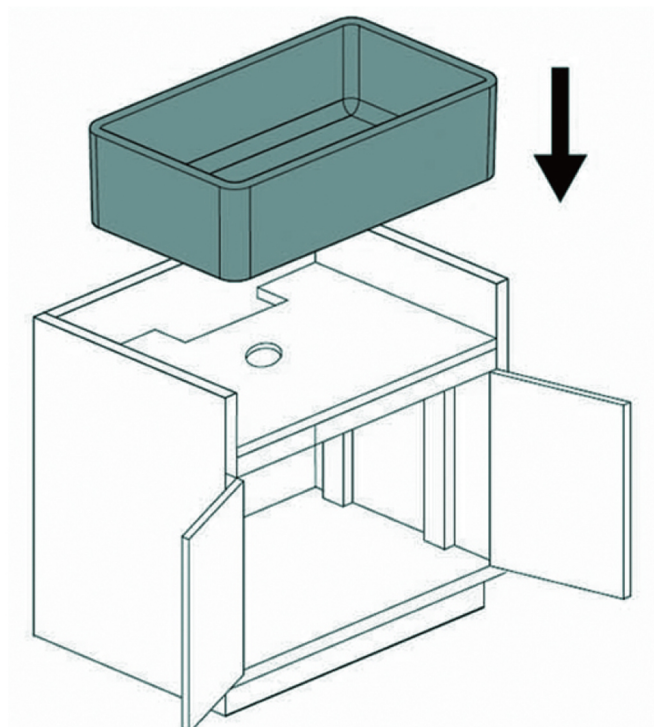
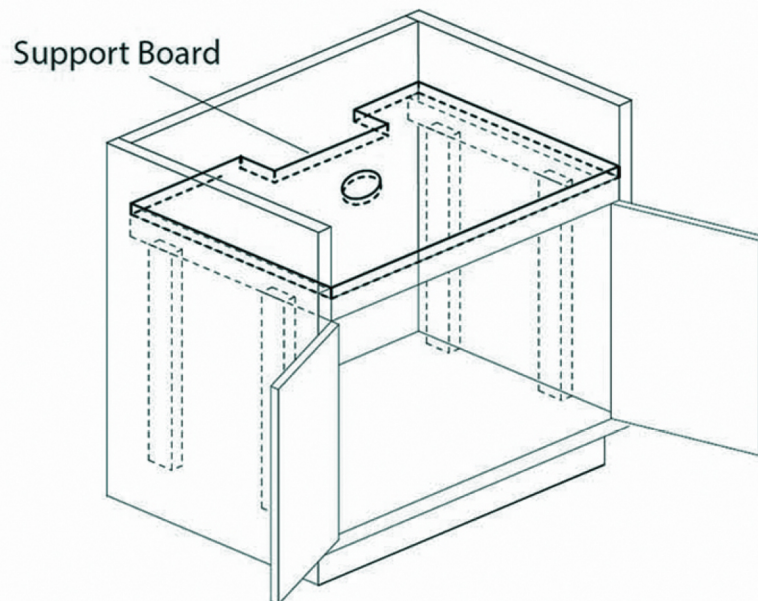
TEMPLATE AND CUTOUT

- No template is provided since each sink will vary dimensionally. After centering the sink, trace the outline of the sink on the counter-top with a pencil to use as a guide for the cutout. Remember to allow clearance for any faucets and/or backsplashes. Cut the counter-top accordingly.



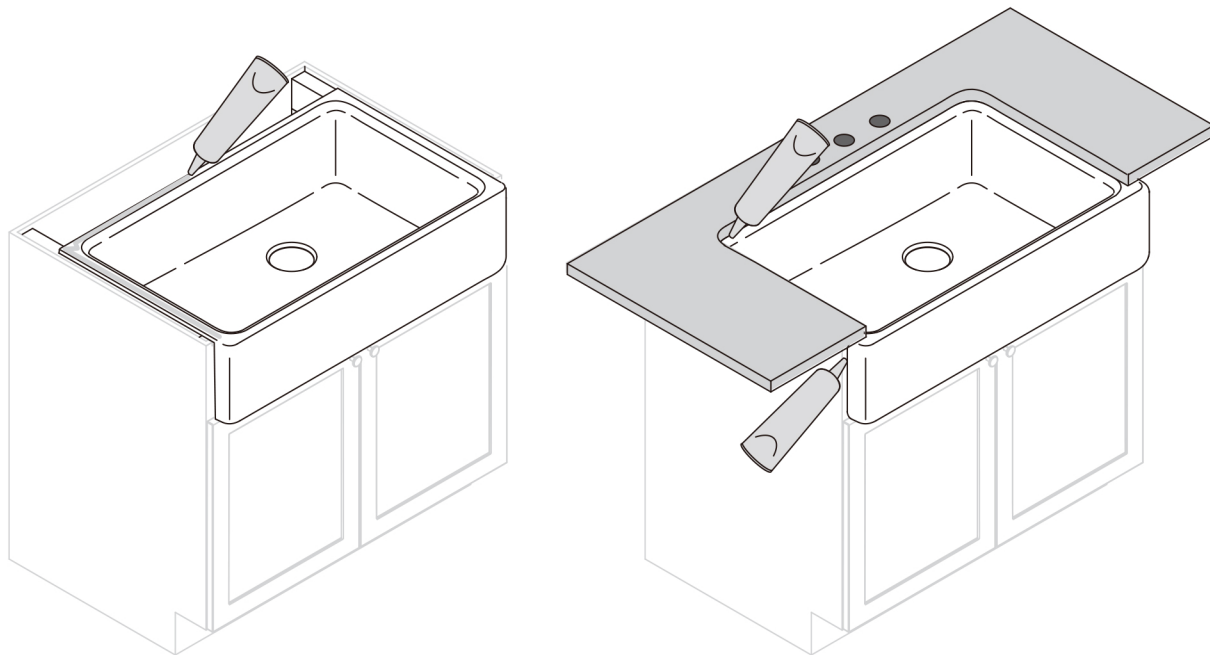
FINAL PLACEMENT

- Test fit the sink in the opening that was created in the previous steps. The entire weight of the sink should be supported by the support frame. Verify that the sink is in line and level with the top of the cabinet. Use shims, if needed, to level the sink.
- Set the sink and apply your sealant to fill in any gaps below the sink front, and between the sink and counter-top. Hold the sink in place to secure. Place the counter-top onto the sink and remove any excess sealant from all surfaces.



Install the Countertop

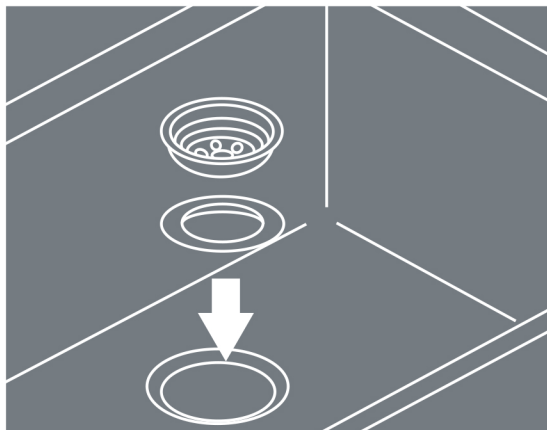
- Apply a bead of silicone sealant around the side and back of the sink.
- Install the countertop.
- Apply a thin bead of silicone sealant where the sink meets the countertop and cabinet.
- Immediately wipe away any excess sealant.



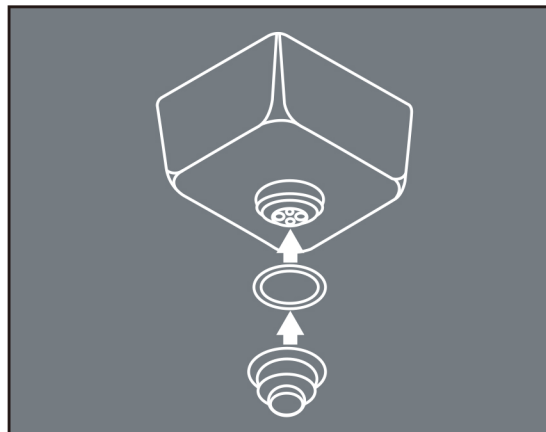
Complete the Installation

- Install the faucet and the strainers according to the installation instructions.
- Connect the trap to the strainers.

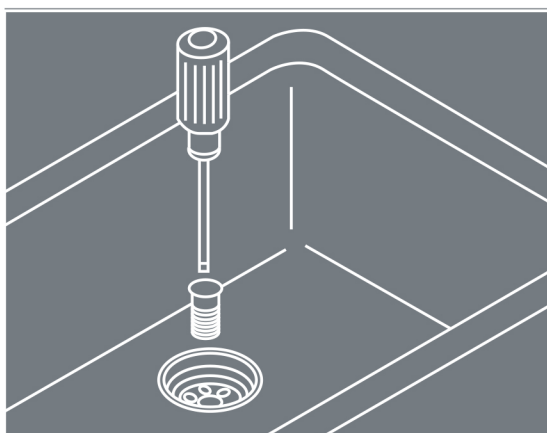
STRAINER INSTALLATION GUIDE



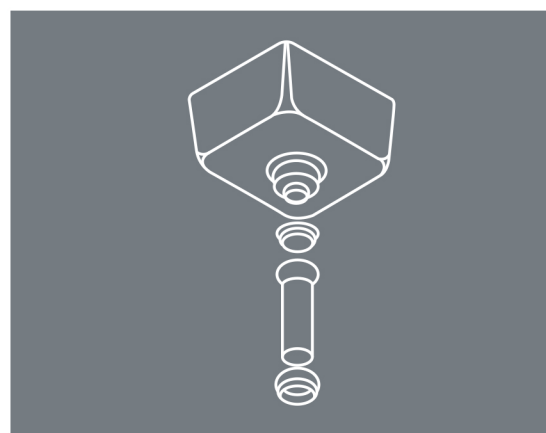
Step 1



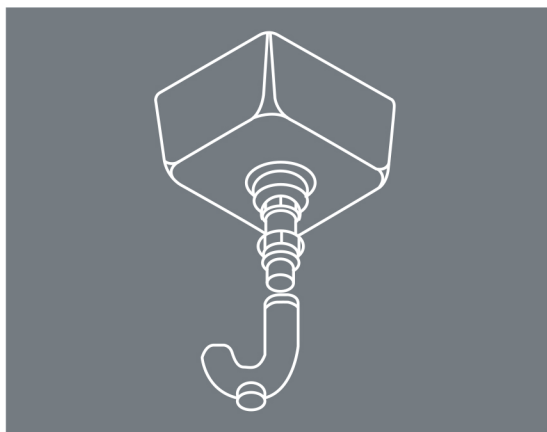
Step 2



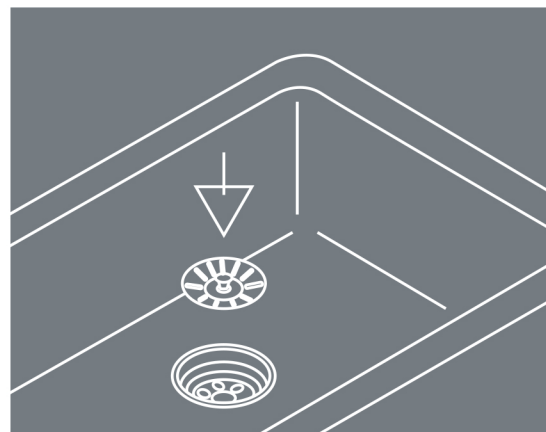
Step 3



Step 4



Step 5



Step 6

LIMITED WARRANTY

- ◆ Offers a 5 years WARRANTY on Farmhouse Sink to be free of manufacturing defects under normal use.
- ◆ Will replace at no charge excluding transportation and labour costs, any Farmhouse Sink supplied by that is proven to have a manufacturing defect, to the original purchaser, provided it has been used solely in a residential application and installed correctly. An equivalent replacement will be issued to the original owner provided the defective sink was installed in accordance with the installation procedures, used and cleaned as recommended, and not damaged due to abuse, misuse, or negligence. Chips, scratches, and stains are not deemed to be manufacturing defects.
- ◆ Will not be held liable for chips, scratches, and stains that can occur under normal use over a period of time. Please refer to the cleaning instructions to maintain your sink.
- ◆ Shall not be held liable under this warranty where the sink has been used in a non-residential application, improperly installed, or damaged by an object being dropped on or impacting the sink or from improper handling.
- ◆ Shall not be liable for any inconvenience or expense for material or labor related to the removal or replacement of a defective sink or for any loss or damage to any person or property whatsoever resulting from the defective sink. All transportation costs to and from the point of purchase will be the responsibility of the purchaser.
- ◆ Any sink returned must be in the original packaging and include all the accompanying accessories, parts, and documentation. The manufacturer reserves the right to inspect and/or request digital pictures of any sink reported to be defective prior to replacement of the sink. Any manufacturing defect covered under this warranty must be reported to for warranty claim within 30 days of appearance.
- ◆ It is important that the professional fabricator installer and enduser carefully inspect the sink for damage immediately upon delivery.
- ◆ If any damage is not reported and documented on the delivery receipt with the shipping carrier upon delivery all insurance coverage ends and will not be able to file a claim or send a replacement sink.
- ◆ To submit a warranty claim it is the responsibility of the customer or installer to submit to a minimum of five(5) high resolution photographs clearly showing the manufacturing defect. Replacement cost excludes transportation and any labor costs for the removal or reinstallation.
- ◆ Under no circumstances shall be liable for any loss or damage arising from the purchase, a defect in, or use or inability to use this Farmhouse Sink, or for any special, indirect, incidental or consequential damages. Liability under this warranty is limited to the repair or replacement of the defective material to the location of purchase.