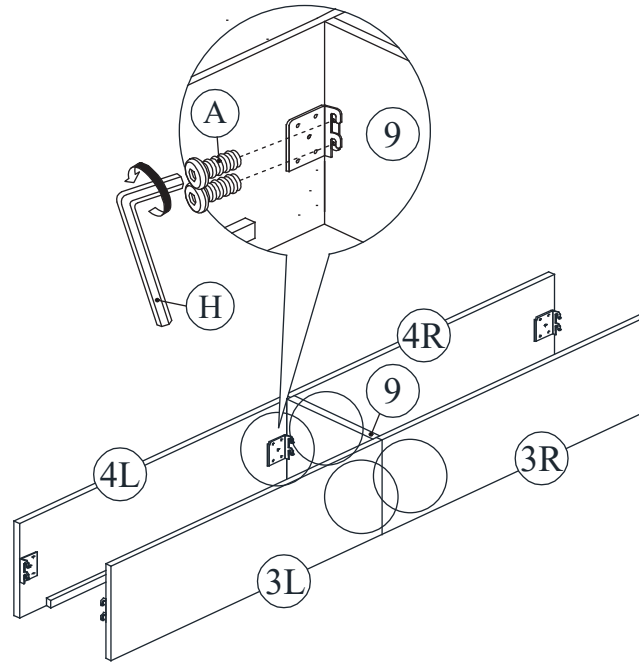


# ASSEMBLY INSTRUCTION

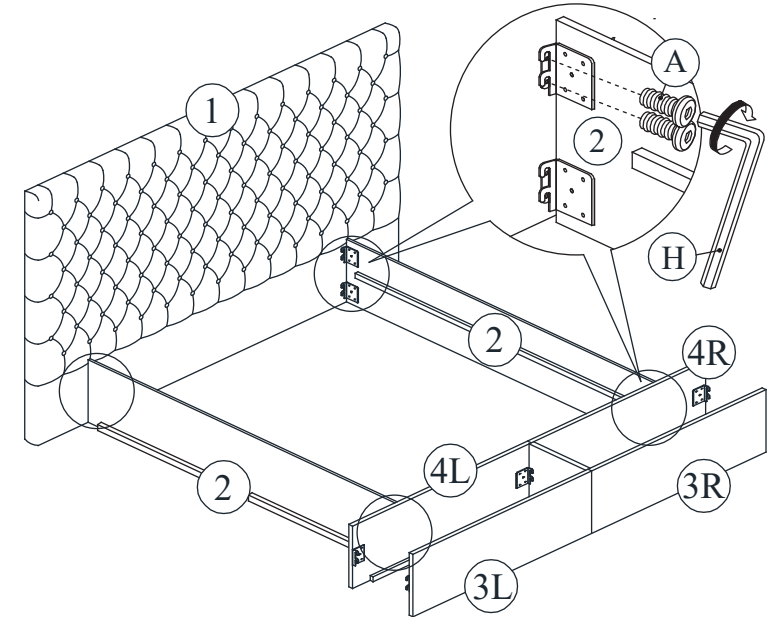
NO	PARTLIST	QTY
1	HEADBOARD	1PC
2	SIDE RAIL	2PCS
3	FOOTBOARD PANEL WITH FABRIC (L/R)	2PCS
4	FOOTBOARD PANEL (L/R)	2PCS
5	SIDE RAIL WITH FABRIC (LEFT)	1PC
6	SIDE RAIL WITH FABRIC (RIGHT)	1PC
7	FOOTBOARD SIDE PANEL (RIGHT)	1PC
8	FOOTBOARD SIDE PANEL (LEFT)	1PC
9	FOOTBOARD CENTER PANEL	1PC
10	SIDE RAIL CENTER PANEL	2PCS
11	SIDE RAIL TOP PANEL (LEFT)	1PC
12	SIDE RAIL TOP PANEL (RIGHT)	1PC
13	FOOTBOARD TOP PANEL	2PCS
14	SIDE RAIL BOTOM PANEL	4PCS
15	FOOTBOARD BOTOM PANEL	2PCS
16	CENTER SUPPORT	2PCS
17	SUPPORT LEG	6PCS
18	SLAT	1 SET

ITEM	HARDWARE	QTY
A	JCBB SCREW M8 x 16MM	48PCS
B	JCBC SCREW M6 x 12MM	56PCS
C	SCREW M4 x 32MM	6PCS
D	HINGES (LEFT)	6PCS
E	HINGES (RIGHT)	4PCS
F	METAL PLATE	4PCS
G	L - KEY M4 x 100MM	1PC
H	L - KEY M5 x 65MM	1PC
I	PENHEARD M4 x 16MM	36PCS
J	JCBC SCREW M6 x 50MM	6PCS

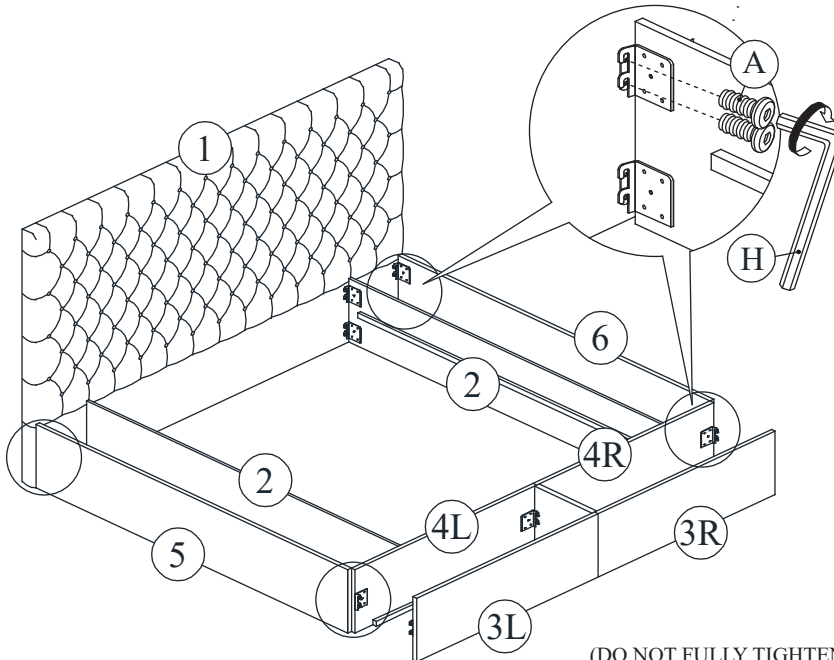
## STEP 1



## STEP 2

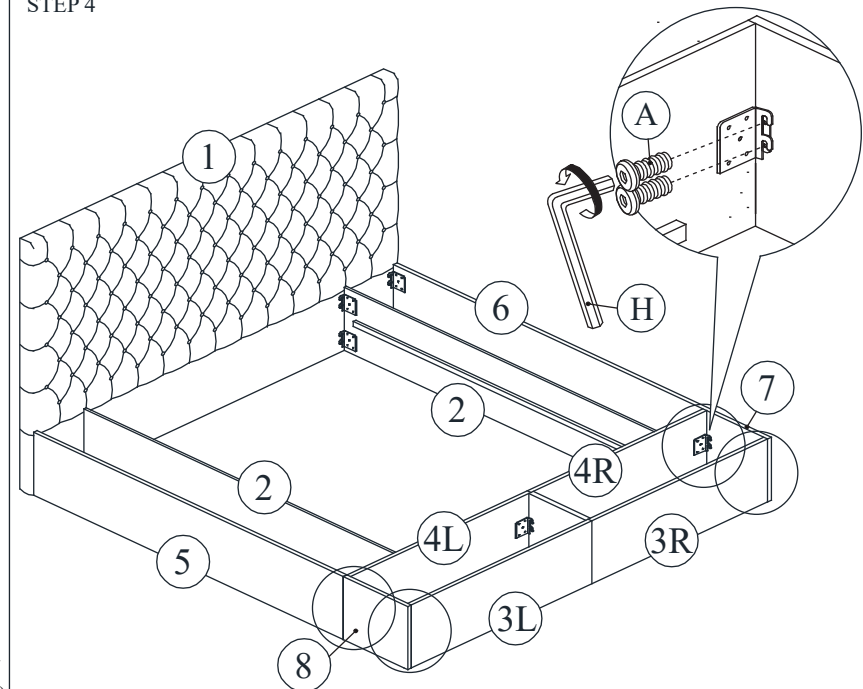


## STEP 3



(DO NOT FULLY TIGHTEN BOLTS FOR THIS STEP)

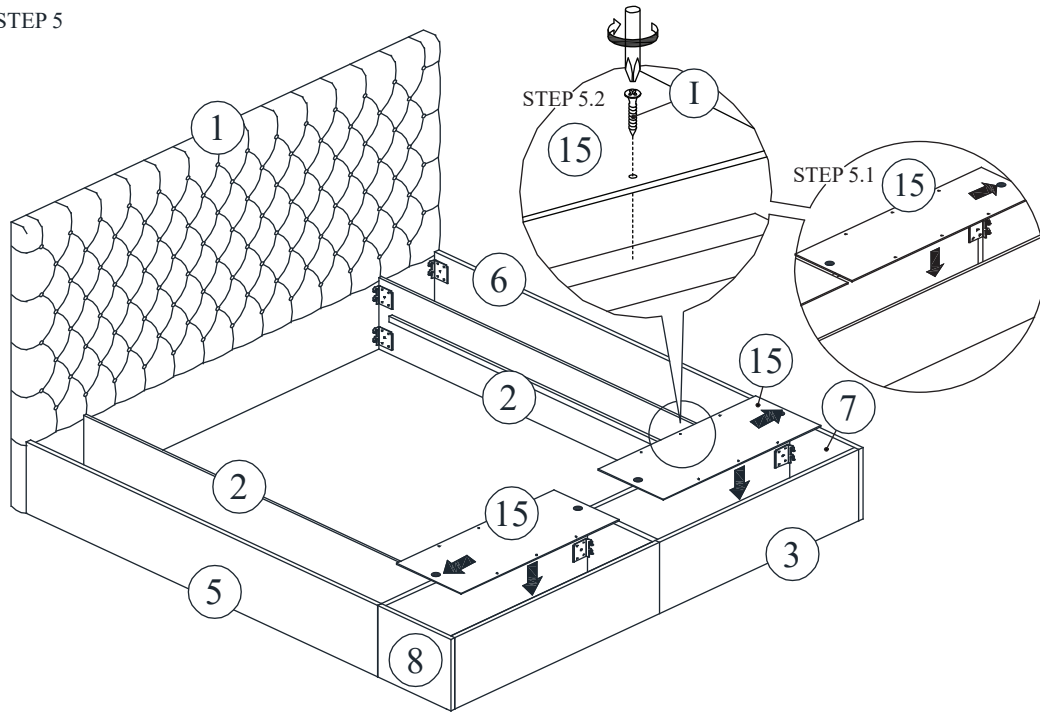
## STEP 4



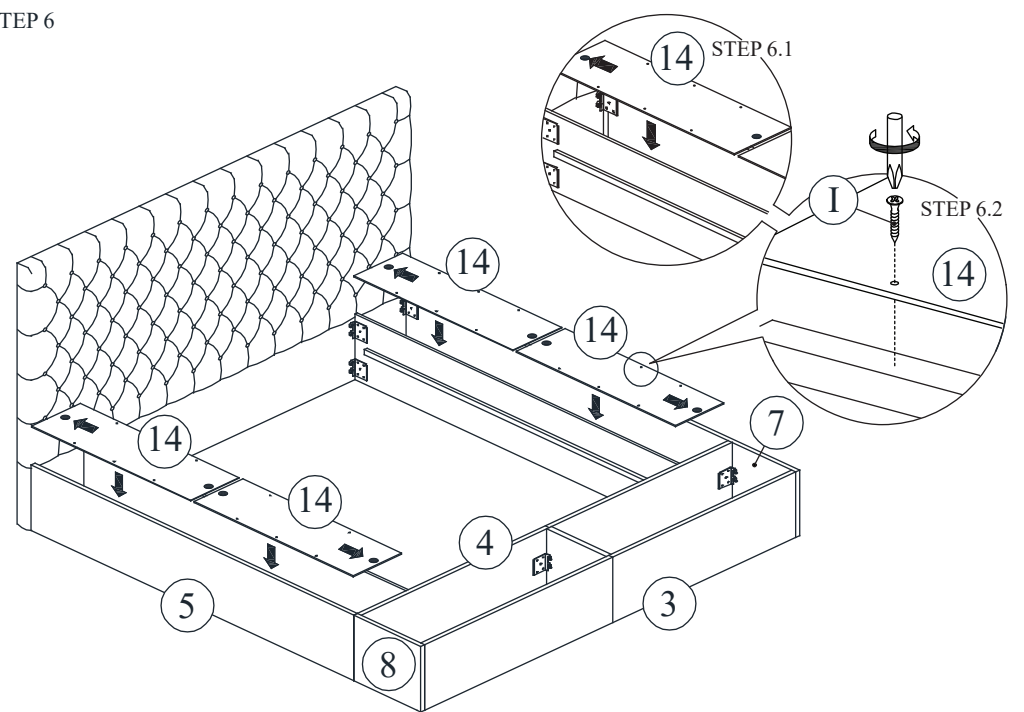
(PLEASE DO NOT TIGHTEN THE HARDWARE UNTIL THE ENTIRE ASSEMBLY IS COMPLETED)

# ASSEMBLY INSTRUCTION

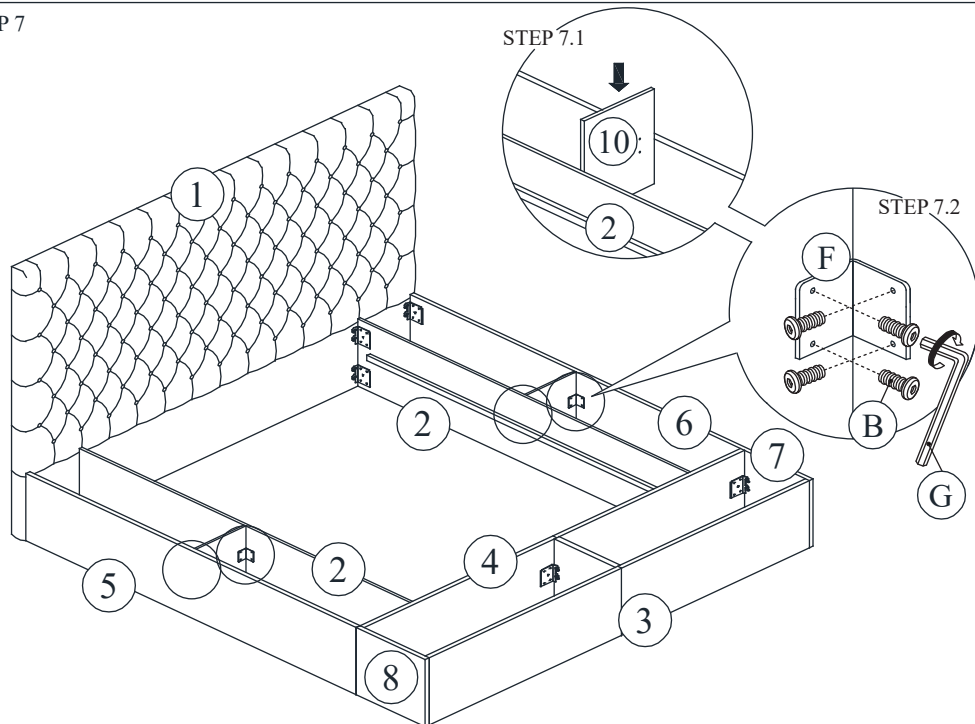
STEP 5



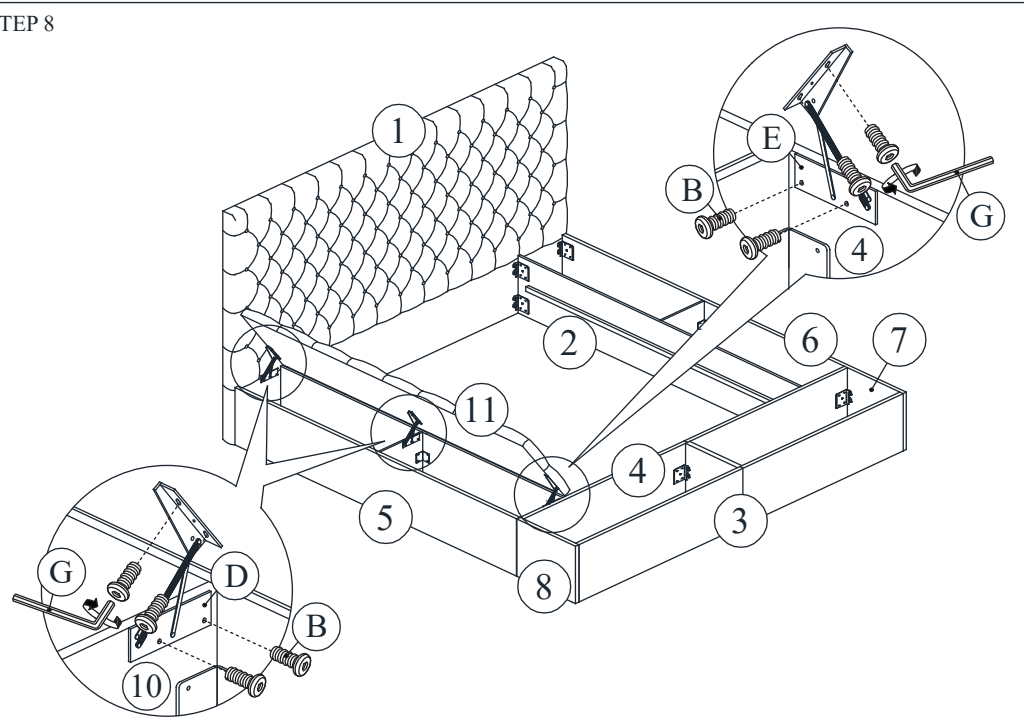
STEP 6



STEP 7



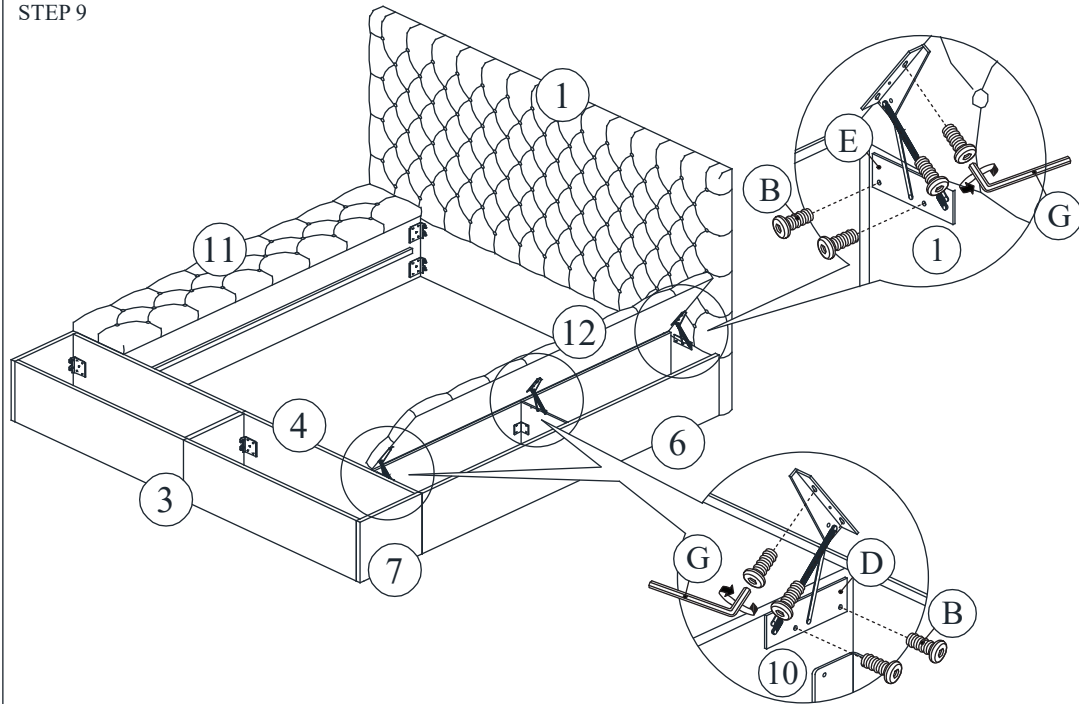
STEP 8



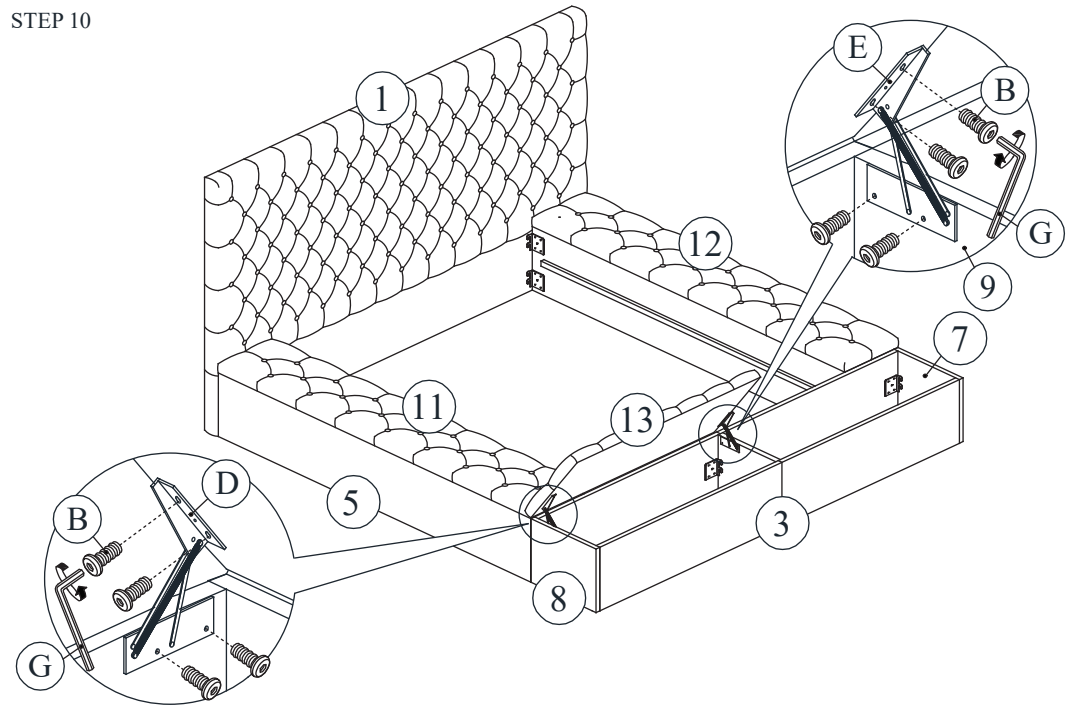
(PLEASE DO NOT TIGHTEN THE HARDWARE UNTIL THE ENTIRE ASSEMBLY IS COMPLETED)

# ASSEMBLY INSTRUCTION

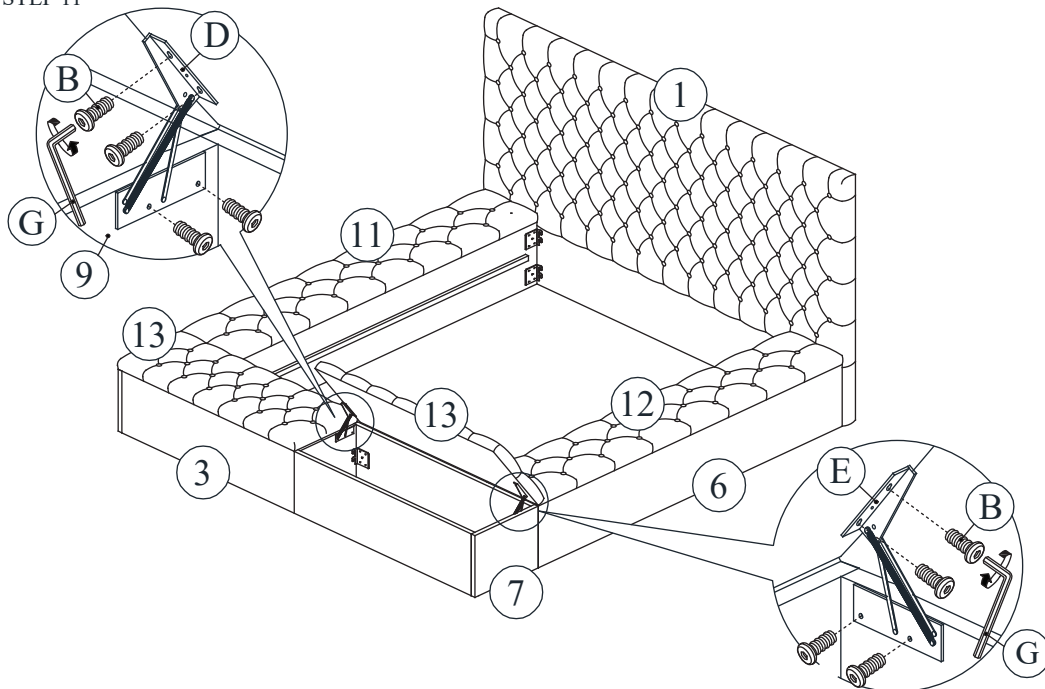
STEP 9



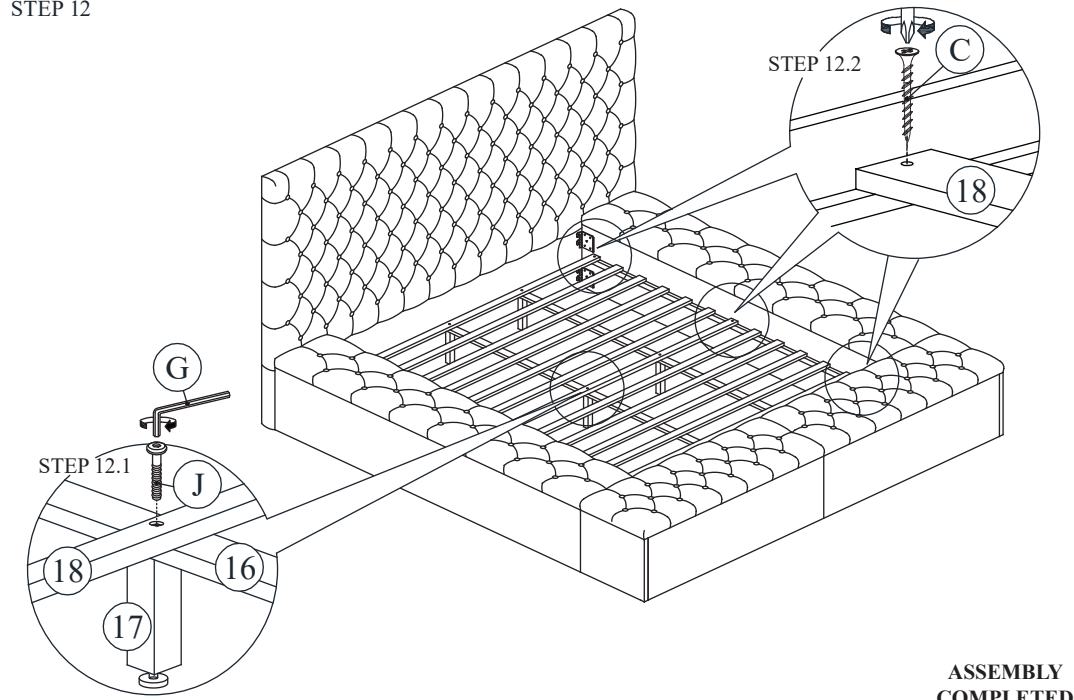
STEP 10



STEP 11



STEP 12



ASSEMBLY  
COMPLETED

(PLEASE DO NOT TIGHTEN THE HARDWARE UNTIL THE ENTIRE ASSEMBLY IS COMPLETED)