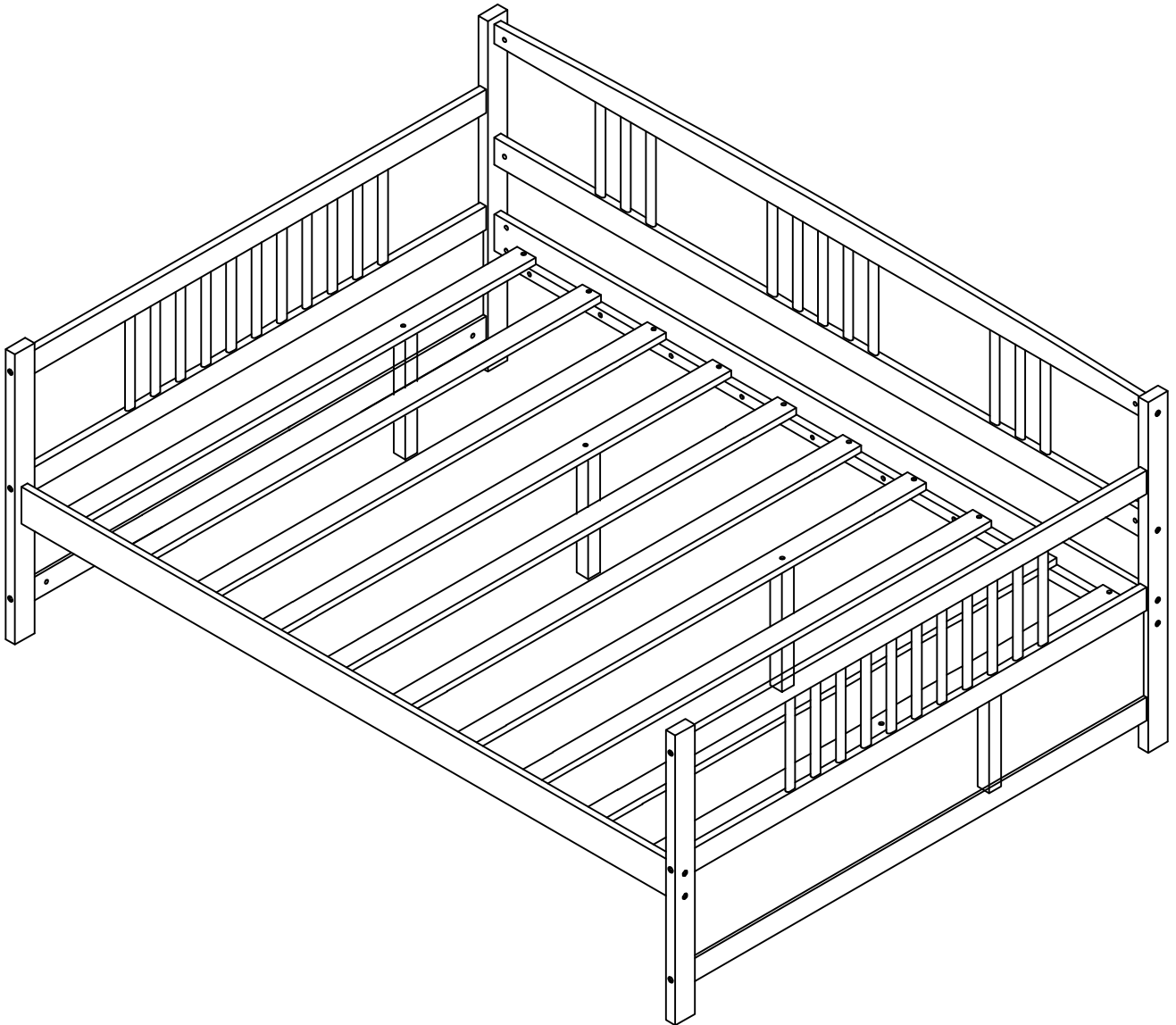
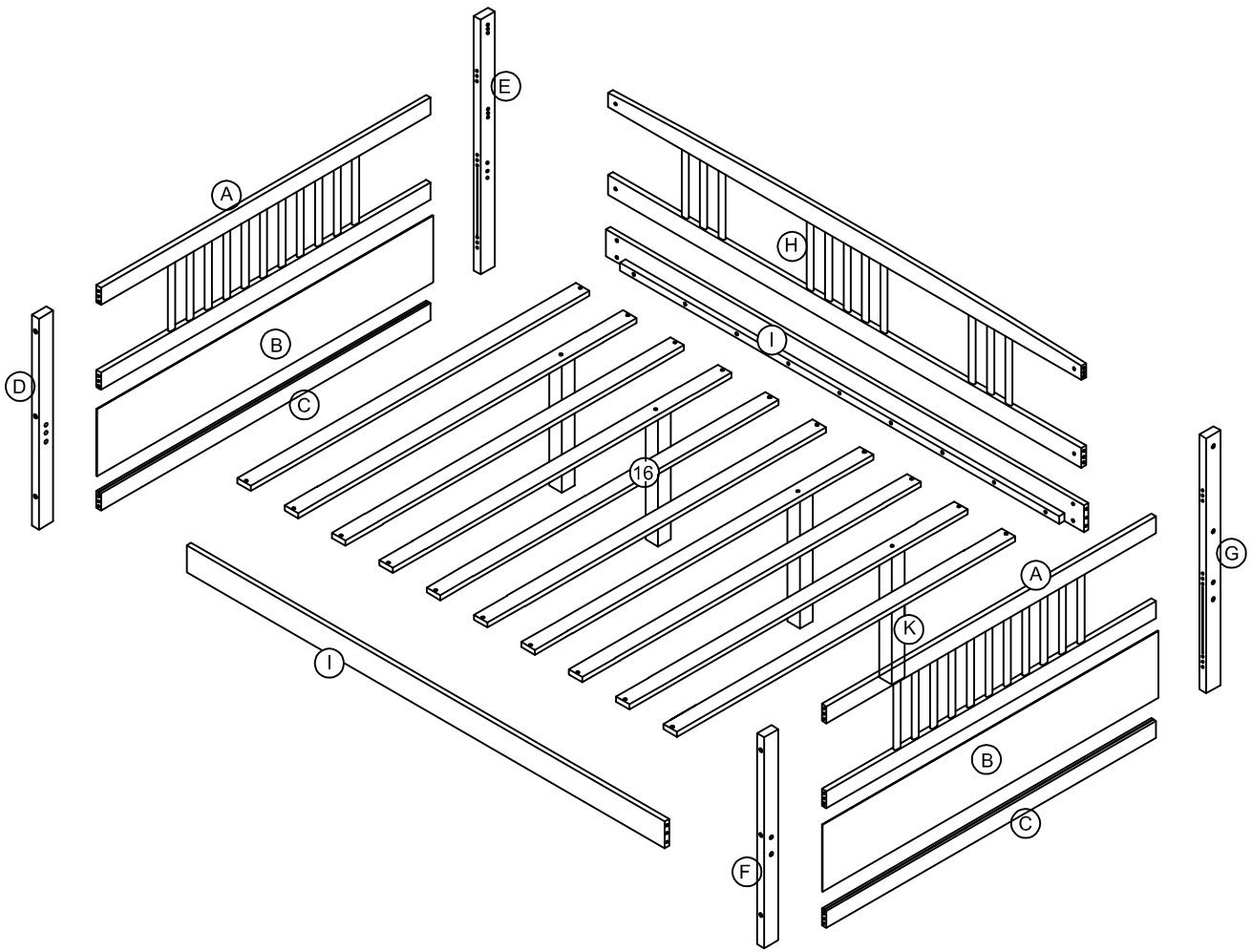


ASSEMBLY INSTRUCTIONS

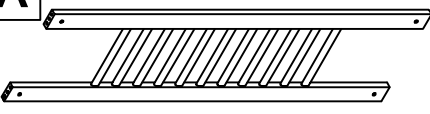



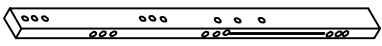
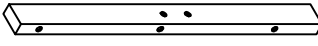
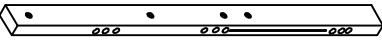
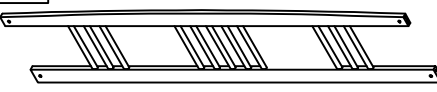
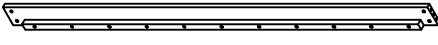
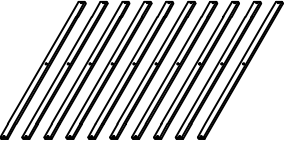

FULL SIZE DAY BED



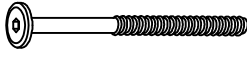
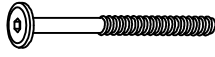

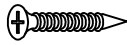

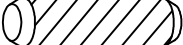

Detail View



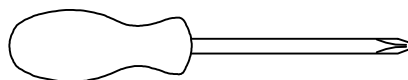
Part List

A 	B 	C 
HB & FB - 2pcs	Side panel - 2pcs	Horizontal bar - 2pcs
D 	E 	F 
Leg left (Front) - 1pc	Leg left (Back) - 1pc	Leg right (Front) - 1pc
G 	H 	I 
Leg right (Back) - 1pc	Guard rail(Back)-1pc	Side rail(Back & Front)-2pcs
16 	K 	
Slats - 1set (10pcs)	Support slat -4pcs	

Hardware List

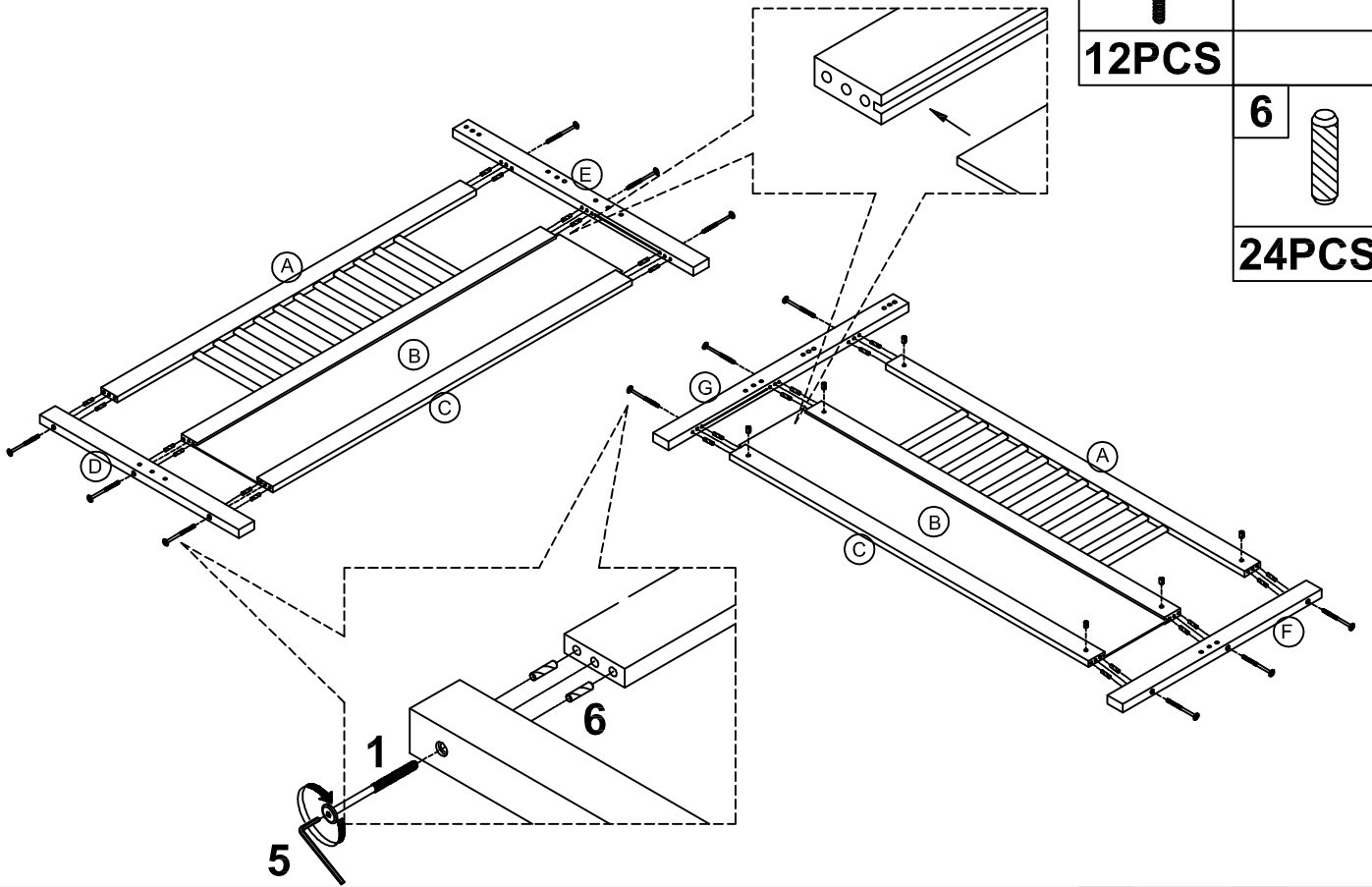
1  (Ø15)1/4"*110mm Hex-Head bolts (12pcs)	2  (Ø15)1/4"*85mm Hex-Head bolts (12pcs)	3  1/4"*15 (9.5mm) Horizontal-Hole bolts(12pcs)
4  Ø4*30mm Wood screws (20pcs)	5  (1/4")4.5*58mm Allen key (1pc)	6  Ø10*30mm Wood dowel (36pcs)
7  (Ø15)1/4"*35mm Hex-Head bolts (4pcs)		

ASSEMBLY TOOLS REQUIRED (NOT INCLUDED)



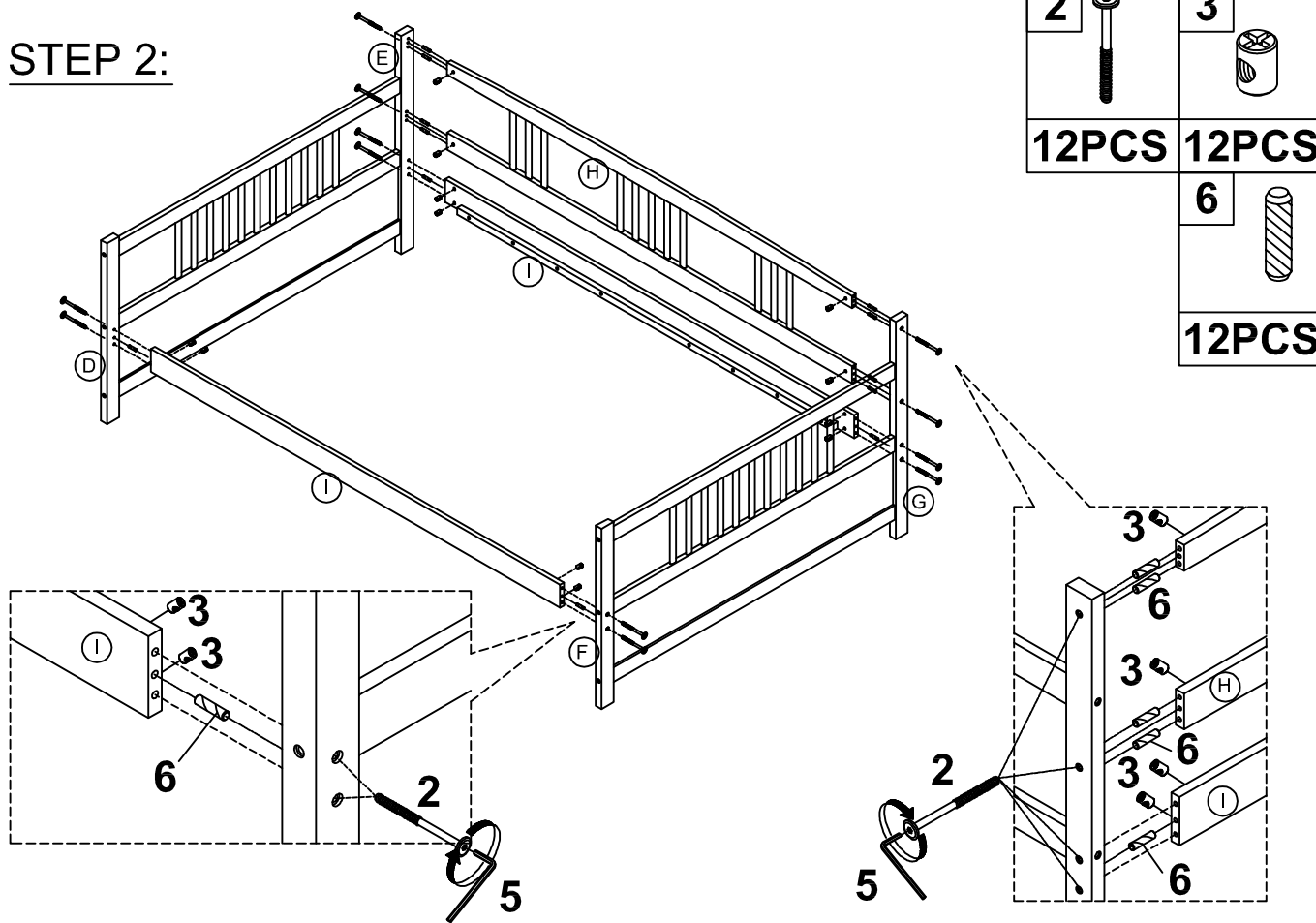
PLEASE BE CAREFUL DO NOT DAMAGE THE HOLE POSITION WHEN YOU USE POWER TOOLS !

STEP 1:



1		
12PCS		
6		
24PCS		

STEP 2:



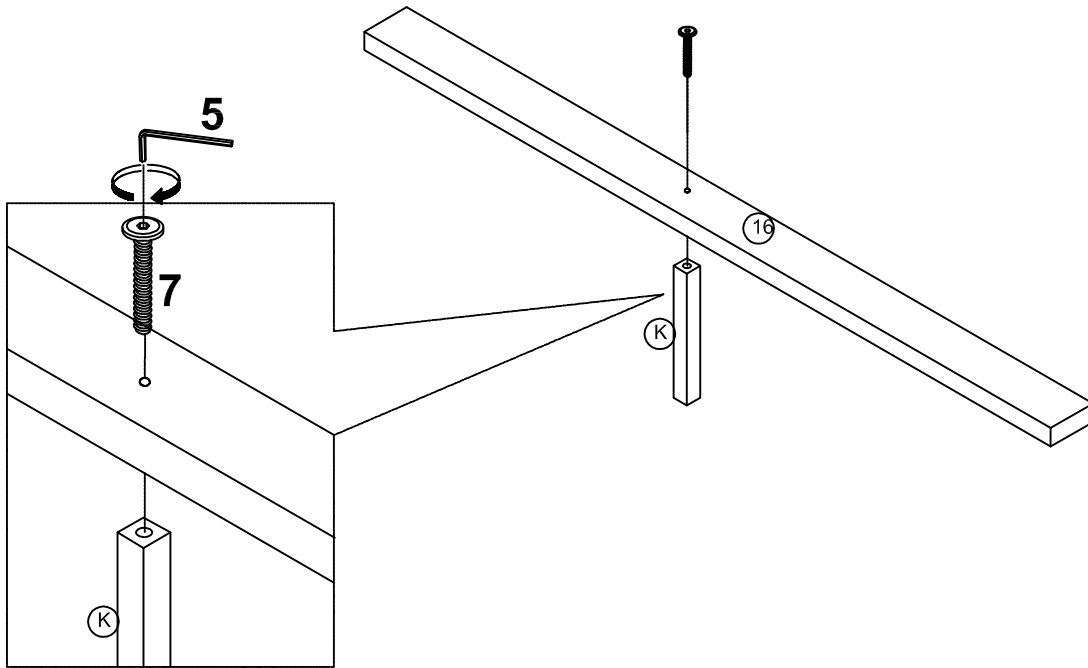
2		3	
12PCS		12PCS	
6			
12PCS			

STEP 3:

7



4PCS



STEP 4:

4



20PCS

