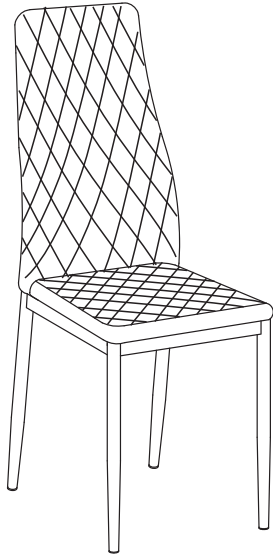


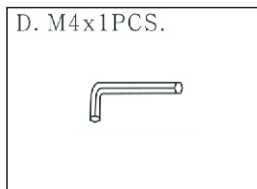
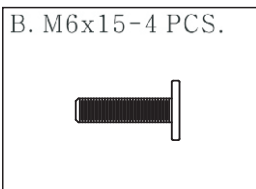
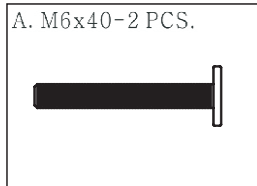
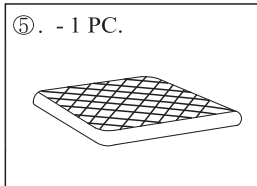
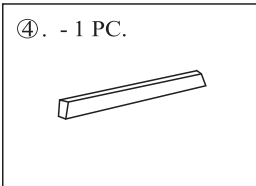
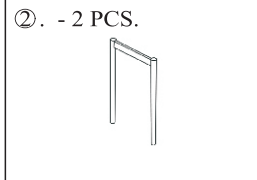
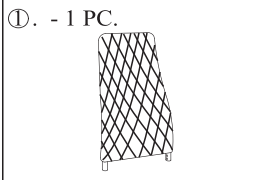


UFURNI

Friendly reminder:
Please read the instructions on
the back carefully before assembly.



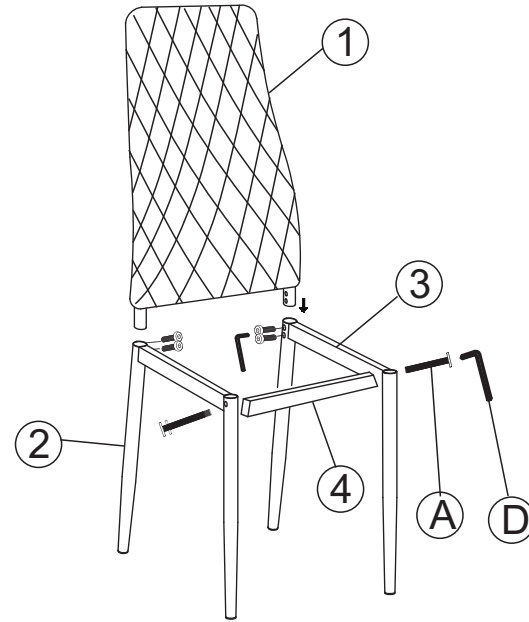
Product Component and Hardware



1



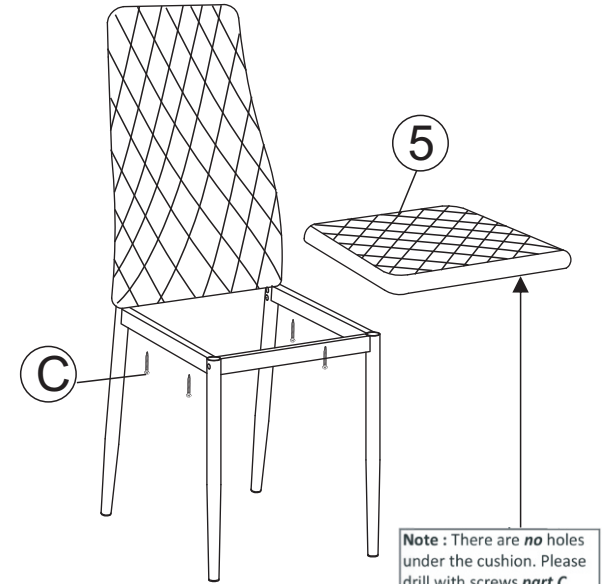
Please Do Not tighten
screws to completely
tight just yet, leave
slack for adjustment



2



Please Do Not tighten
screws to completely
tight just yet, leave
slack for adjustment

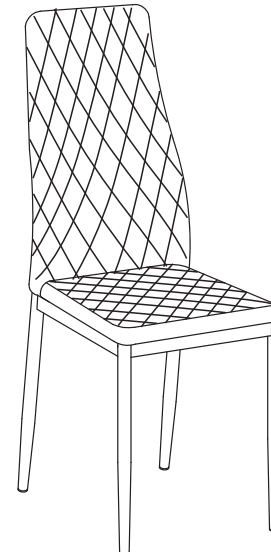


Note : There are **no** holes
under the cushion. Please
drill with screws **part C**
directly into the bottom of
the cushion to let cushion
fit into chair frame.

3



Please tighten all screws
to secure its position



WARNING



Guidelines for Assembling: Please Read Before Assembling

Safety Precautions

1. **Read Instructions Carefully:** Before starting the assembly, thoroughly read all provided instructions and guidelines.
2. **Work in a Safe Area:** Choose a clean, spacious, and well-lit area for assembly. Ensure the floor is level to prevent parts from getting damaged.
3. **Keep Children and Pets Away:** Ensure that children and pets are kept away from the assembly area to avoid accidents.
4. **Use Proper Tools:** Use the tools recommended in the instructions. If not specified, ensure that you have standard tools like a screwdriver, Allen wrench, and a rubber mallet.

Preparation

1. **Check All Parts:** Before you begin, verify that you have all the parts listed in the instruction manual. Lay them out and check for any damage.
2. **Organize Hardware:** Group the screws, bolts, and other small hardware components by size and type. This will make the assembly process smoother.
3. **Pre-Assemble Sub-Components:** If the instructions suggest assembling certain parts separately, do so before combining them with the main structure.

Assembly Process

1. **Follow Step-by-Step Instructions:** Follow the assembly steps in the order presented in the manual. Skipping steps can lead to mistakes and potential damage.
2. **Avoid Over-Tightening:** When fastening screws and bolts, avoid over-tightening them. This can strip the threads or damage the wood. Tighten them just enough to hold the parts securely.
3. **Use Gentle Force:** If parts do not fit together easily, do not force them. Check the alignment and ensure you are using the correct parts.

Final Checks

1. **Stability Check:** Once assembled, check the stability of the table or chair. Make sure all parts are securely fastened and there is no wobbling.
2. **Tighten All Screws:** Go over all screws and bolts to ensure they are fully tightened. Some may loosen slightly during the assembly process.
3. **Clean Up:** Remove any packaging materials and tools from the assembly area. Dispose of packaging according to local recycling guidelines.

Maintenance Tips

1. **Regular Checks:** Periodically check the tightness of screws and bolts. Re-tighten them as necessary to maintain stability.
2. **Avoid Excessive Weight:** Do not place excessive weight on the furniture beyond the recommended limits to avoid damage.
3. **Clean Properly:** Clean the furniture with appropriate cleaning products. Avoid using harsh chemicals that could damage the finish.

Thank you for choosing UFURNI.

We hope you find the assembly process straightforward and the final product to your satisfaction. If you have any questions or encounter any issues during assembly, please do not hesitate to contact our customer support team. Your satisfaction is our top priority, and we are here to assist you every step of the way.

Enjoy your new furniture!